

Milwaukee®

Nothing but **HEAVY DUTY**®



M18 VC-2

Original instructions

Originalbetriebsanleitung

Notice originale

Istruzioni originali

Manual original

Oorspronkelijke gebruiksaanwijzing

Original brugsanvisning

Original bruksanvisning

Bruksanvisning i original

Alkuperäiset ohjeet

Πρωτότυπο οδηγιών χρήσης

Orijinal işletme talimatı

Původním návodem k používání

Pôvodný návod na použitie

Instrukcja oryginalna

Eredeti használati utasítás

Izvirna navodila

Originalne pogonske upute

Instrukcijām oriģinālvalodā

Originali instrukcija

Algupärane kasutusjuhend

Оригинальное руководство по эксплуатации

Оригинално ръководство за експлоатация

Instrucțiuni de folosire originale

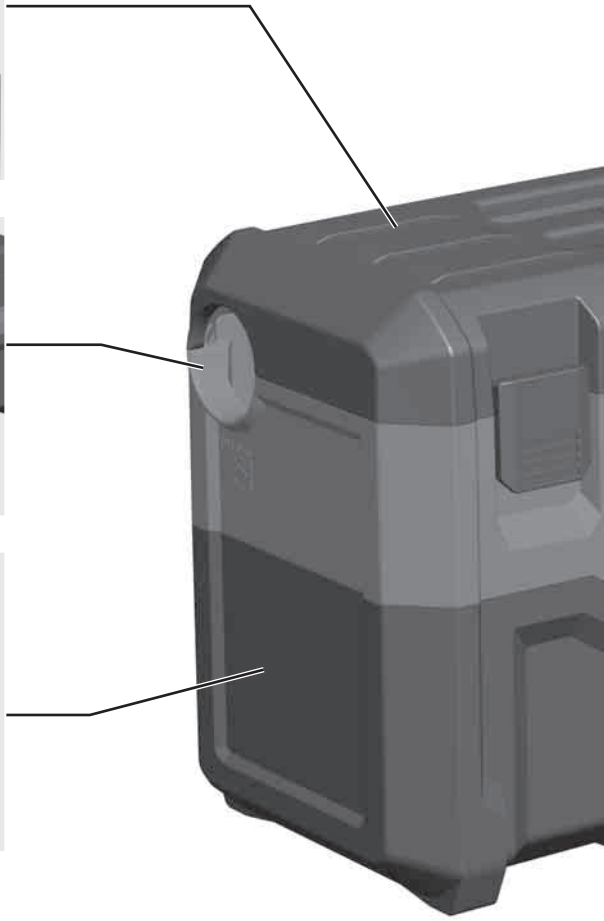
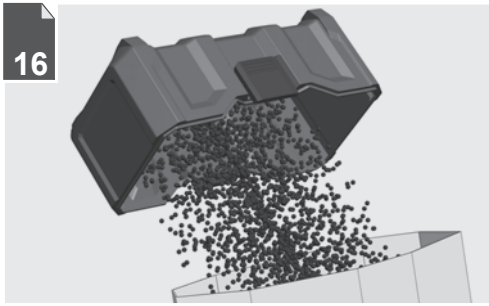
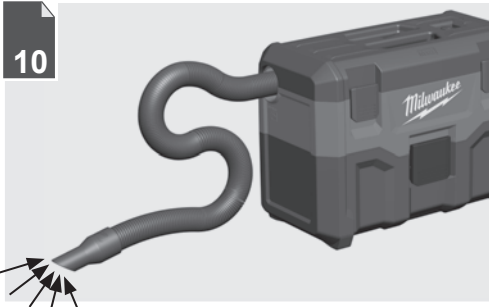
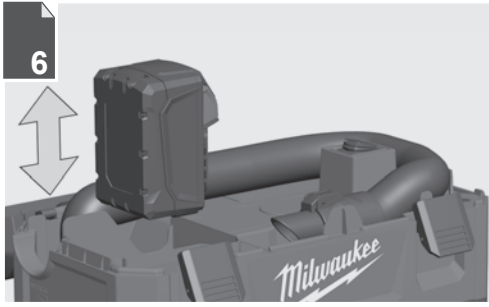
Оригинален прирачник за работа

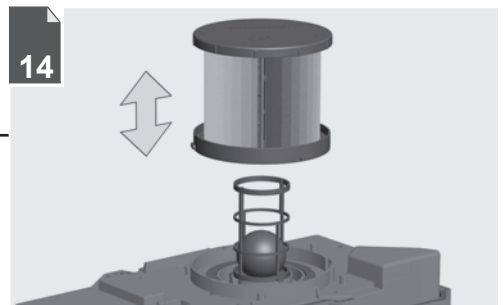
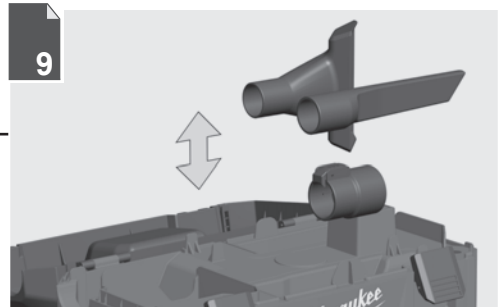
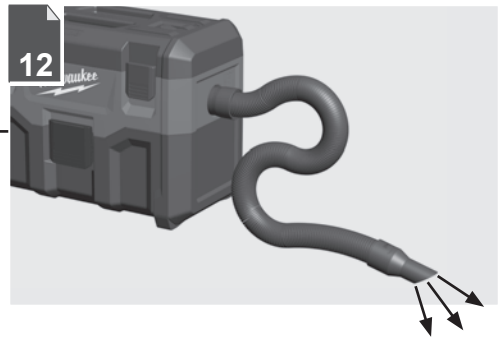
Оригінал інструкції з експлуатації

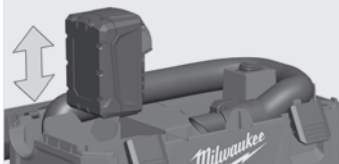
التعليمات الأصلية

ENGLISH		Picture section with operating description and functional description	4
DEUTSCH		Bildteil mit Anwendungs- und Funktionsbeschreibungen	4
FRANÇAIS		Partie imagée avec description des applications et des fonctions	4
ITALIANO		Sezione illustrata con descrizione dell'applicazione e delle funzioni	4
ESPAÑOL		Sección de ilustraciones con descripción de aplicación y descripción funcional	4
PORTUGUES		Parte com imagens explicativas contendo descrição operacional e funcional	4
NEDERLANDS		Beelddedeelte met toepassings- en functiebeschrijvingen	4
DANSK		Billedel med anvendelses- og funktionsbeskrivelser	4
NORSK		Billedel med bruks- og funksjonsbeskrivelse	4
SVENSKA		Bilddel med användnings- och funktionsbeskrivning	4
SUOMI		Kuvasivut käyttö- ja toimintakuvaukset	4
ΕΛΛΗΝΙΚΑ		Τμήμα εικόνων με περιγραφές χρήσης και λειτουργίας	4
TÜRKÇE		Resim bölümü Uygulama ve fonksiyon açıklamaları ile birlikte	4
ČESKY		Obrazová část s popisem aplikací a funkcí	4
SLOVENSKY		Obrazová část s popisem aplikácií a funkcií	4
POLSKI		Część rysunkowa z opisami zastosowania i działania	4
MAGYAR		Képes részalkalmazási- és működési leírásokkal	4
SLOVENSKO		Del slike z opisom uporabe in funkcij	4
HRVATSKI		Dio sa slikama opisima primjene i funkcija	4
LATVISKI		Attēla daļa ar lietošanas un funkciju aprakstiem	4
LIETUVIŠKAI		Paveikslėlio dalis su vartojimo instrukcija ir funkcijų aprašymais	4
EESTI		Pildiosa kasutusjuhendi ja funktsioonide kirjeldusega	4
РУССКИЙ		Раздел иллюстраций с описанием эксплуатации и функций	4
БЪЛГАРСКИ		Част със снимки с описания за приложение и функции	4
ROMÂNIA		Secvența de imagine cu descrierea utilizării și a funcționării	4
МАКЕДОНСКИ		Дел со сликисо описи за употреба и функционирање	4
УКРАЇНСЬКА		Частина з зображеннями з описом робіт та функцій	4
عربي		قسم الصور يوجد به الوصف التشغيلي والوظيفي	4

Text section with Technical Data, important Safety and Working Hints and description of Symbols	18
Textteil mit Technischen Daten, wichtigen Sicherheits- und Arbeitshinweisen und Erklärung der Symbole.	21
Partie textuelle avec les données techniques, les consignes importantes de sécurité et de travail ainsi que l'explication des pictogrammes.	24
Sezione testo con dati tecnici, importanti informazioni sulla sicurezza e sull'utilizzo, spiegazione dei simboli.	27
Sección de texto con datos técnicos, indicaciones importantes de seguridad y trabajo y explicación de los símbolos.	30
Parte com texto explicativo contendo Especificações técnicas, Avisos de segurança e de operação e a Descrição dos símbolos.	33
Tekstgedeelte met technische gegevens, belangrijke veiligheids- en arbeidsinstructies en verklaring van de symbolen.	36
Tekstdel med tekniske data, vigtige sikkerheds- og arbejdsanvisninger og symbolforklaring.	39
Tekstdel med tekniske data, viktige sikkerhets- og arbeidsinstruksjoner og forklaring av symbolene.	42
Textdel med tekniska informationer, viktiga säkerhets- och användningsinstruktioner samt symbolförklaringar.	45
Tekstisivut: tekniset tiedot, tärkeät turvallisuus- ja työskentelyohjeet sekä merkkien selitykset.	48
Τμήμα κειμένου με τεχνικά χαρακτηριστικά, σημαντικές υποδείξεις ασφαλείας και εργασίας και εξήγηση των συμβόλων.	51
Teknik bilgileri, önemli güvenlik ve çalışma açıklamalarını ve de sembollerin açıklamalarını içeren metin bölümü.	54
Textová část s technickými daty, důležitými bezpečnostními a pracovními pokyny a s vysvětlivkami symbolů	57
Textová část s technickými datami, důležitými bezpečnostními a pracovními pokyny a s vysvětlivkami symbolů	60
Część opisowa z danymi technicznymi, ważnymi wskazówkami dotyczącymi bezpieczeństwa i pracy oraz objaśnieniami symboli.	63
Szöveges rész műszaki adatokkal, fontos biztonsági- és munkavégzési útmutatásokkal, valamint a szimbólumok magyarázata.	66
Del besedila s tehničnimi podatki, pomembnimi varnostnimi opozorili in delovnimi navodili in pojasnili simbolov.	69
Dio štiva sa tehničkim podacima, važnim sigurnosnim i radnim uputama i objašnjenjem simbola.	72
Teksta daļa ar tehniskajiem parametriem, svarīgiem drošības un darbības norādījumiem, simbolu atšifrējumiem.	75
Teksto dalis su techniniais duomenimis, svarbiomis saugumo ir darbo instrukcijomis bei simbolių paaiškinimais.	78
Tekstiosa tehniliste näitajate, oluliste ohutus- ja tööjuhenditega ning sümbolite kirjeldustega.	81
Текстовый раздел, включающий технические данные, важные рекомендации по безопасности и эксплуатации, а также описание используемых символов.	84
Част с текст с технически данни, важни указания за безопасност и работа и разяснение на символите.	87
Porțiune de text cu date tehnice, indicații importante privind siguranța și modul de lucru și descrierea simbolurilor.	90
Текстуален дел со Технички карактеристики, важни безбедносни и работни упатства и објаснување на символите.	93
Текстова частина з техничними даними, важливими вказівками з техніки безпеки та експлуатації і поясненням символів.	96
القسم النصي المزود بالبيانات الفنية والنصائح الهامة للسلامة والعمل ووصف الرموز	103







Remove the battery pack before starting any work on the machine.

Vor allen Arbeiten an der Maschine den Wechselakku herausnehmen

Avant tous travaux sur la machine retirer l'accu interchangeable.

Prima di iniziare togliere la batteria dalla macchina.

Retire la batería antes de comenzar cualquier trabajo en la máquina.

Antes de efectuar cualquier intervención en a máquina retirar o bloco acumulador.

Voor alle werkzaamheden aan de machine de akku verwijderen.

Ved arbejde inden i maskinen, bør batteriet tages ud.

Ta ut vekselbatteriet før du arbeider på maskinen

Drag ur batteripaket innan arbete utföres på maskinen.

Tarkista pistotulppa ja verkkojohto mahdollisilta vaurioilta. Viat saa korjata vain alan erikoismissä.

Πριν από κάθε εργασία στη μηχανή αφαιρείτε την ανταλλακτική μπαταρία.

Aletin kende bir çalışma yapmadan önce kartuş aküyü çıkarın.

Před zahájením veškerých prací na vrtacím šroubováků vyjmout výměnný akumulátor.

Pred každou prácou na stroji výmenný akumulátor vytiahnuť.

Przed przystąpieniem do jakichkolwiek prac na elektronarzędziu należy wyjąć wkładkę akumulatorową.

Karbantartás, javítás, tisztítás, stb. előtt az akkumulátort ki kell venni a készülékből.

Pred deli na stroju izvlcite izmenljivi akumulator.

Prije svih radova na stroju izvaditi bateriju za zamjenu.

Pirms mašīnai veikt jebkāda veida apkopes darbus, ir jāizņem ārā akumulātors.

Prieš atikdami bet kokius darbus įrenginyje, išimkite keičiamą akumuliatorių.

Enne kõiki töid masina kallal võtke vahetatav aku välja.

Выньте аккумулятор из машины перед проведением с ней каких-либо манипуляций.

Преди започване на каквито е да е работи по машината извадете акумулатора.

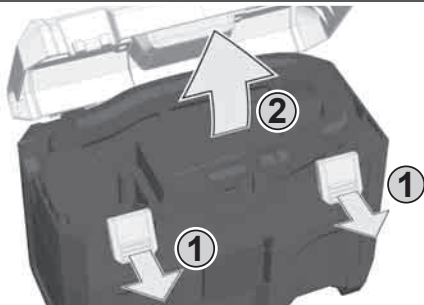
Scoateți acumulatorul înainte de a începe orice intervenție pe mașină.

Отстранете ја батеријата пред да започнете да ја користите машината.

Перед будь-якими роботами на машині ви́няти змінну акумуляторну батарею.

قم بإزالة حزمة البطارية قبل البدء في أي أعمال على الجهاز.

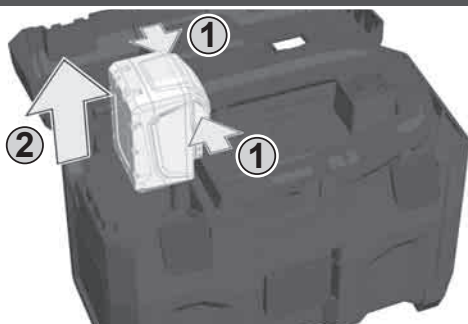
1



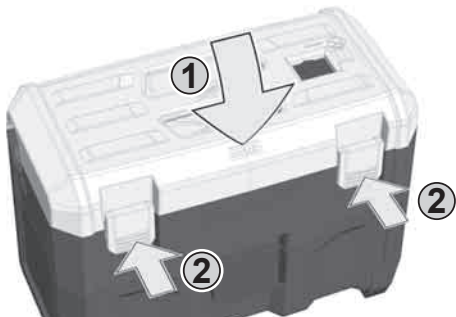
2

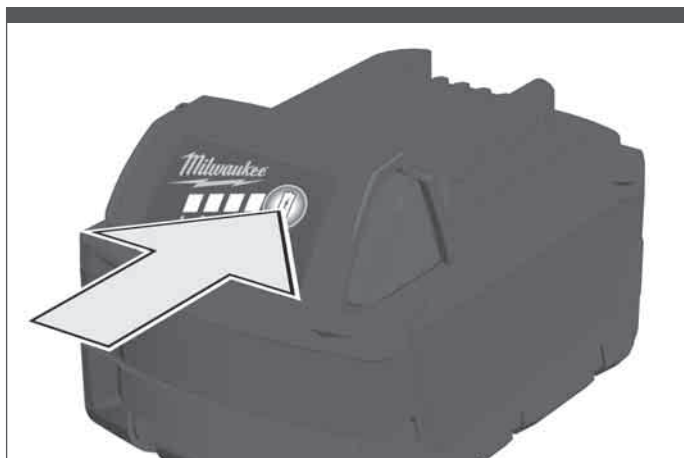


1



2





78-100 %



55-77 %



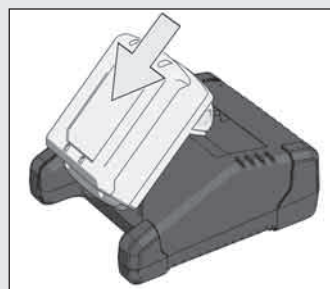
33-54 %

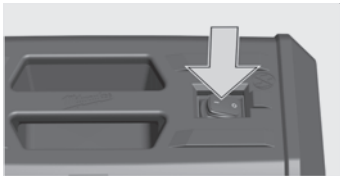


10-32 %



< 10 %



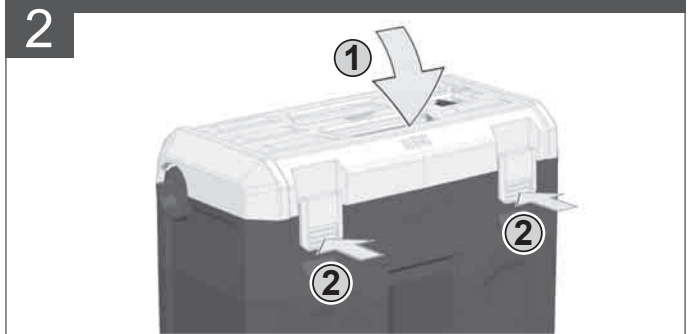
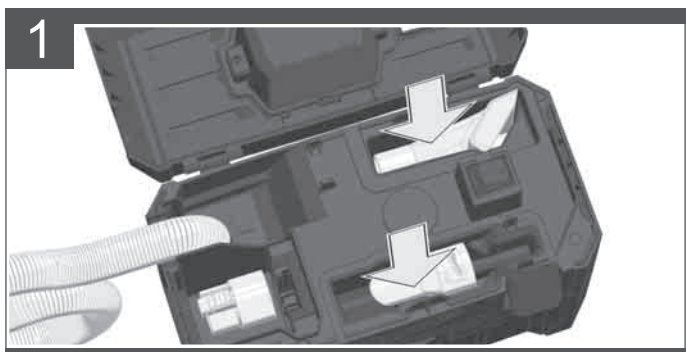
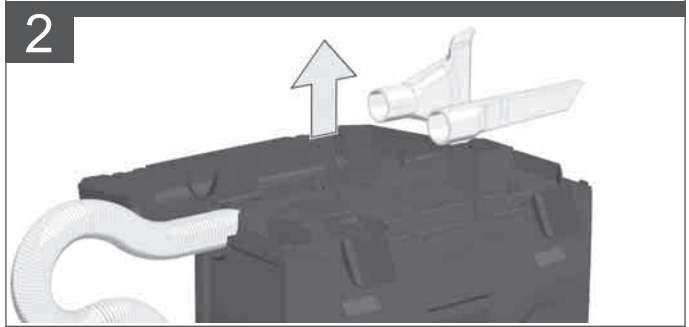
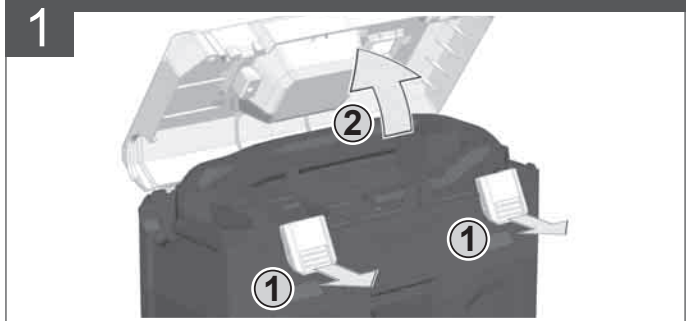
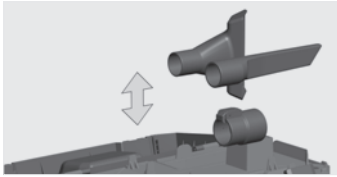


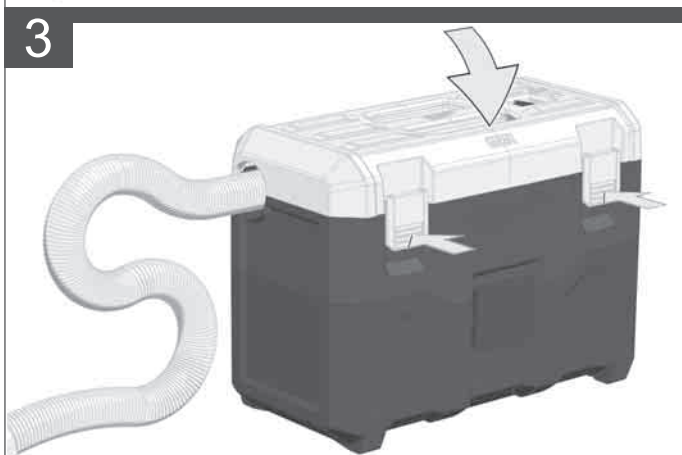
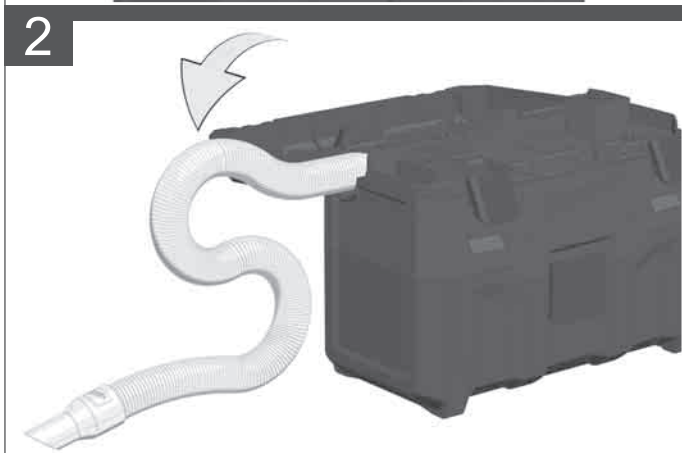
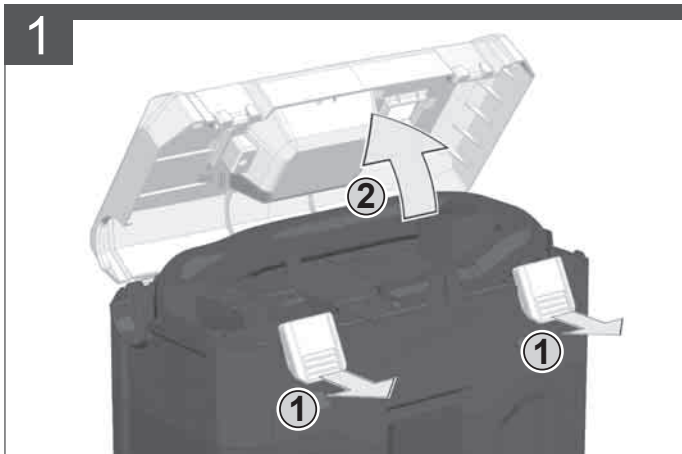
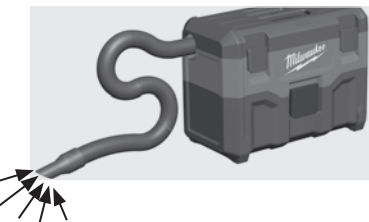
START



STOP

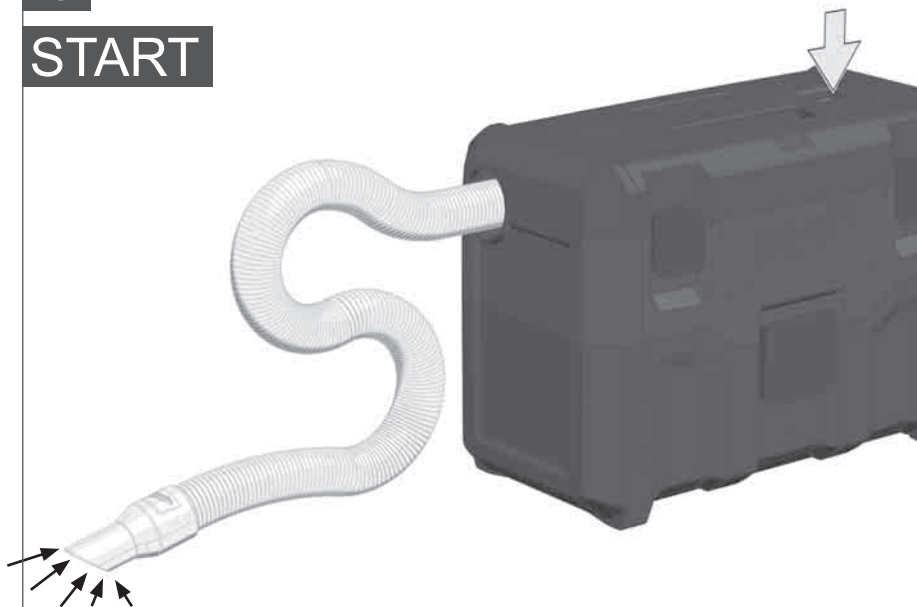




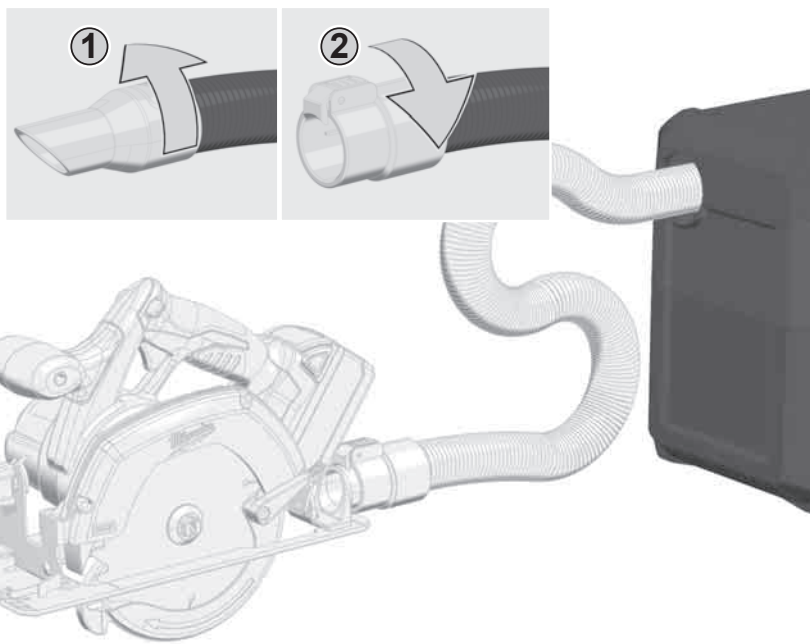


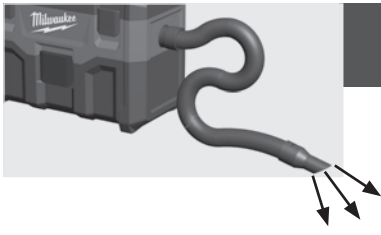
4

START

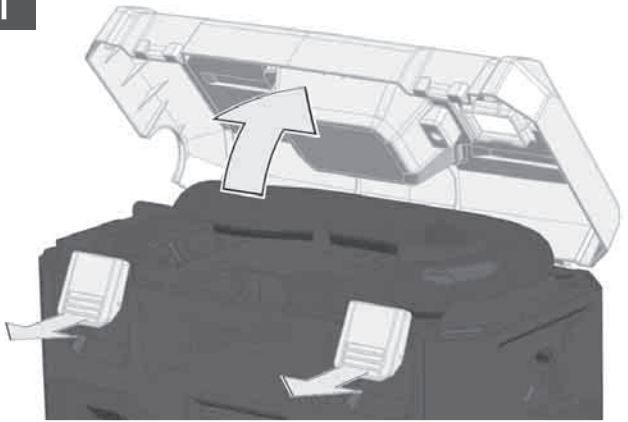


4

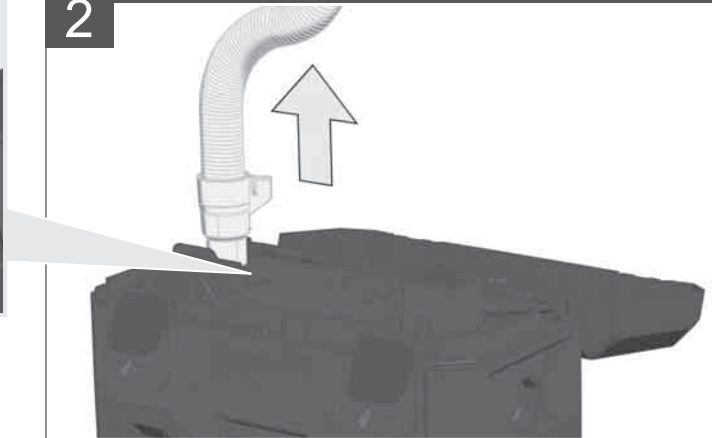
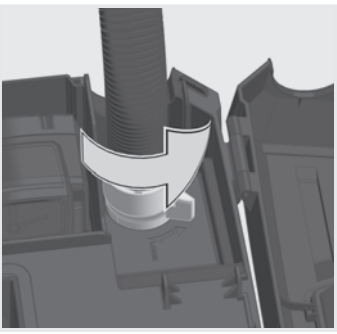




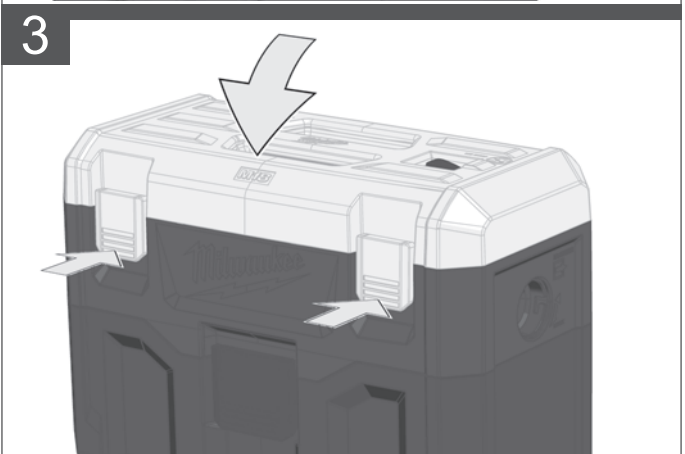
1

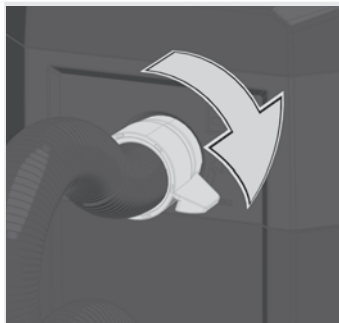


2

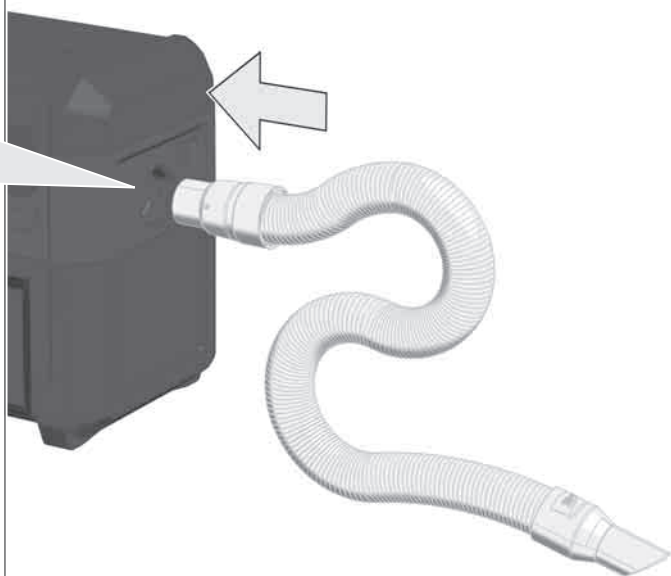


3



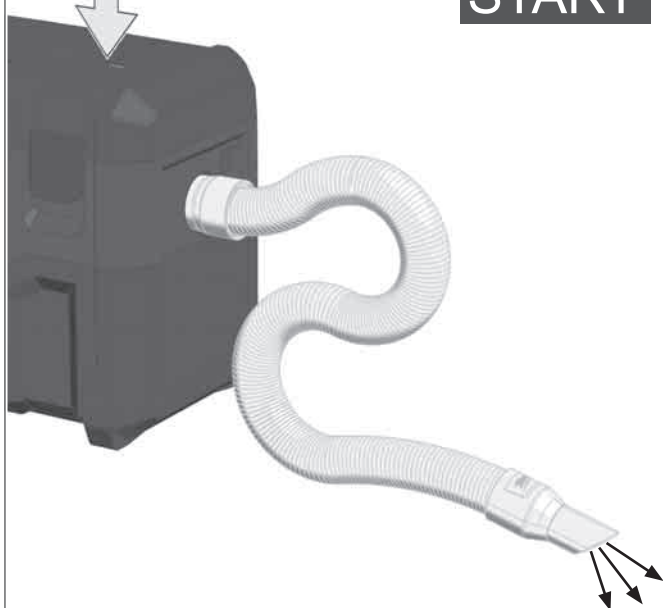


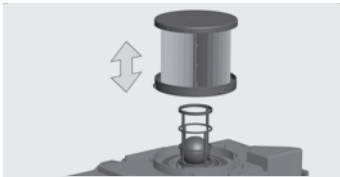
4



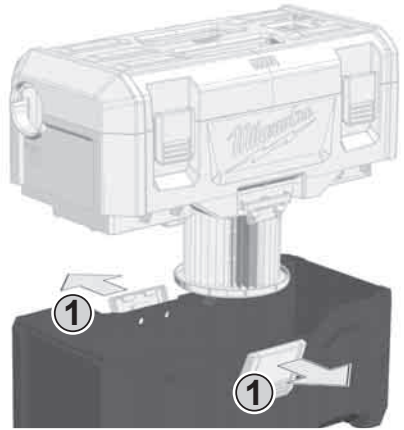
5

START

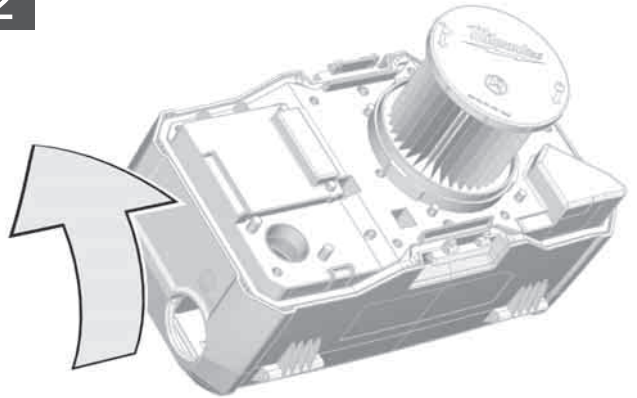




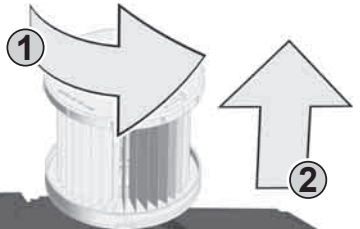
1



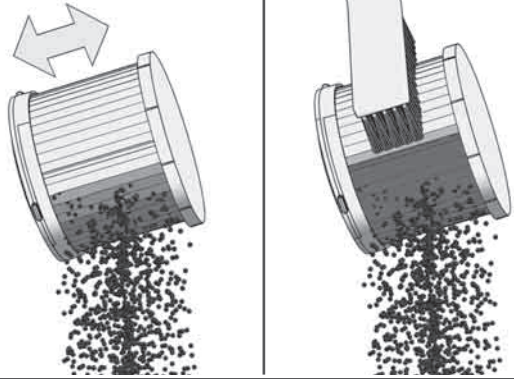
2



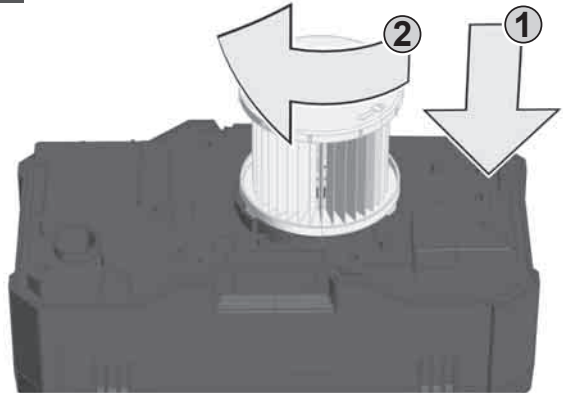
3



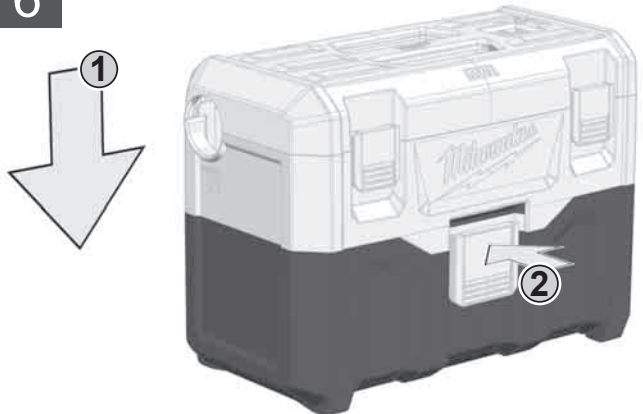
4

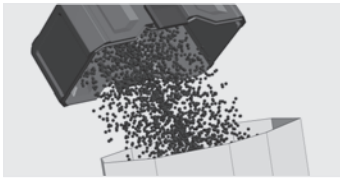


5

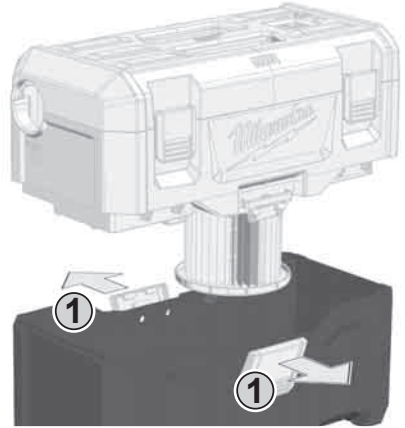


6

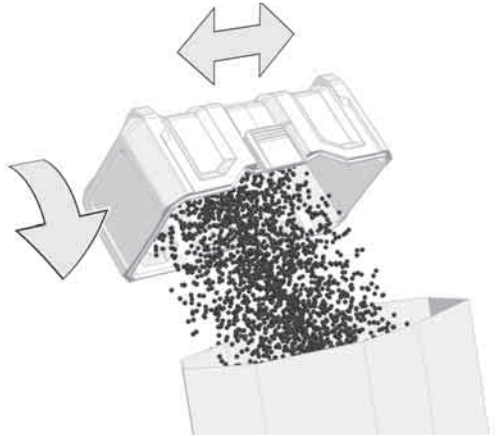




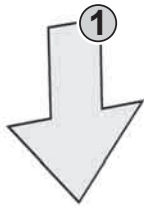
1



2



3



Production code.....	4603 30 01... ...000001-999999
Rate of air flow.....	1300 l/min
Vacuum.....	80 mbar
Capacity.....	7,5 l
Filter surface / Hepa filter type.....	H13
Suction hose diameter.....	41 mm
Suction hose.....	475 mm
Battery voltage.....	18 V
Height/width/length.....	31/21/43 cm
Weight according EPTA-Procedure 01/2003.....	4,59 kg
Weight according EPTA-Procedure 01/2003 (with battery 5.0 Ah).....	5,33 kg
Protection class.....	IP54
Recommended ambient operating temperature.....	-18...+50 °C
Recommended battery types.....	M18B2, M18B4, M18B5, M18B6, M18B9
Recommended charger.....	M12-18C, M12-18AC, M12-18FC, M1418C6

⚠ WARNING! Read all safety warnings and all instructions. Failure to follow the warnings and instructions may result in electric shock, fire and/or serious injury. **Save all warnings and instructions for future reference.**

⚠ SAFETY INSTRUCTIONS

Never suck up into the machine any inflammable or explosive solvents, or liquids like petrol, oil, alcohol, thinners, or small particles (such as metal filings or ash) that may be hotter than 60°C - otherwise there is danger of explosion or fire!

You are not allowed to use the appliance in the vicinity of inflammable gases or substances.

Do not put appliances or accessories into operation, if: the appliance has recognizable damage (cracks/breaks), the mains connection lead is defective or shows signs of cracking or aging, there is a suspected non-visible defect (after having been dropped).

Do not point the nozzle, hose or tube at people or animals.

If any foam or water egresses, switch off immediately. Empty the container and, if need be, the pleated filter.

Acids, acetone and solvents can corrode the appliance components.

In the event of misuse, improper operation or unprofessional repair work no liability shall be assumed by us for any damage incurred.

Do not use suction on health damaging dusts.

Not suitable for sweeping up liquids which form a large foam.

Remove the battery pack before starting any work on the machine.

Do not dispose of used battery packs in the household refuse or by burning them. Milwaukee Distributors offer to retrieve old batteries to protect our environment.

Do not store the battery pack together with metal objects (short circuit risk).

Use only System M18 chargers for charging System M18 battery packs. Do not use battery packs from other systems.

Battery acid may leak from damaged batteries under extreme load or extreme temperatures. In case of contact with battery acid wash it off immediately with soap and water. In case of eye contact rinse thoroughly for at least 10 minutes and immediately seek medical attention.

Warning! To reduce the risk of fire, personal injury, and product damage due to a short circuit, never immerse your tool, battery pack or charger in fluid or allow a fluid to flow inside them. Corrosive or conductive fluids, such as seawater, certain industrial chemicals, and bleach or bleach containing products, etc., can cause a short circuit.

This appliance is not intended to be used or cleaned by persons with reduced physical, sensory or mental capabilities, or lack of experience or knowledge, unless they have been given instructions concerning the safe use of the appliance by a person legally responsible for their safety. They should be supervised whilst using the appliance. Children shall not use, clean or play with this appliance, which when not in use should be secured out of their reach.

Keep hair, loose clothing, fingers and all parts of the body away from openings and moving parts. Do not put any objects into openings or use with opening blocked. Keep openings free of dust, lint, hair, and anything else that could reduce the flow of air.

Do not use in outside areas at low temperature.

Do not use to pick up flammable or combustible liquids such as gasoline, or use in areas where they may be present.

Do not pick up anything that is burning or smoking, such as cigarettes, matches or hot ashes.

Use extra care when cleaning on stairs.

Do not use unless filters are fitted.

If the machine is not working properly or has been dropped, damaged, left outdoors, or dropped into water, return it to a service center or dealer.

If foam or liquid escapes from the machine, switch off immediately.

The machine may not be used as a water pump. The machine is intended for vacuuming air and water mixtures.

Provide for good ventilation at the working place.

Do not use the machine as a ladder or step ladder. The machine can tip over and become damaged. Danger of injury.

Hazardous materials.

Vacuuming up hazardous materials can lead to serious or even fatal injuries.

The following materials must not be picked up by the machine:

- hot materials (burning cigarettes, hot ash, etc.)
- flammable, explosive, aggressive liquids (e.g. petrol, solvents, acids, alkalis, etc.)
- flammable, explosive dust (e.g. magnesium or aluminium dust, etc.)

SPECIFIED CONDITIONS OF USE

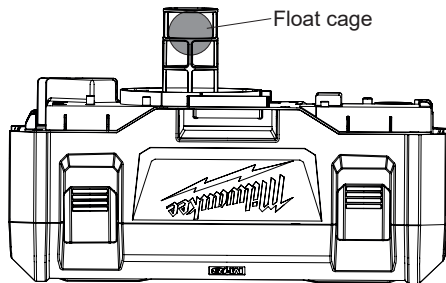
The vacuum cleaner may be used as follows: suction of non-toxic dusts and non-cumbersome liquids, aspiration of sloppy or muddy water, clearing up clogged drains, on-site cleaning (building sites, working places, etc.).

Do not use this product in any other way as stated for normal use.

WET PICK-UP OPERATION

Remove ALL dirt and debris found in the tank.

Remove the filter. Ensure that the float cage remains in place.



Turn on the vacuum and begin pick-up.

Turn off the vacuum immediately upon completing a wet pick-up job or when tank is full and ready to be emptied.

NOTE: If suction shuts off, turn off the vacuum immediately and empty the tank.

Remove the battery pack.

Raise the hose to drain any excess liquid into the tank.

Remove motor housing and pour liquid waste into a suitable drain.

Clean the interior of the tank and pick-up accessories periodically, more often when used to pick up wet, sticky materials. Use warm, soapy water.

AUTOMATIC SUCTION SHUT-OFF

When picking up liquids, an internal float rises until it seats itself against a seal at the intake of the motor, shutting off suction. When this happens, the motor will develop a higher than normal pitch noise and the suction is drastically reduced. If this occurs, turn off the vacuum immediately. Failure to turn off unit after float rises and shuts off suction will result in extensive damage to the motor. To continue use, empty the liquid waste from the tank.

NOTE: If the vacuum is accidentally tipped over, it could lose suction. Turn off the vacuum and return it to an upright position. The float will return to its normal position.

BATTERIES

Battery packs which have not been used for some time should be recharged before use.

Temperatures in excess of 50°C (122°F) reduce the performance of the battery pack. Avoid extended exposure to heat or sunshine (risk of overheating).

The contacts of chargers and battery packs must be kept clean.

For an optimum life-time, the battery packs have to be fully charged, after used.

To obtain the longest possible battery life remove the battery pack from the charger once it is fully charged.

For battery pack storage longer than 30 days:

Store the battery pack where the temperature is below 27°C and away from moisture

Store the battery packs in a 30% - 50% charged condition Every six months of storage, charge the pack as normal.

TRANSPORTING LITHIUM BATTERIES

Lithium-ion batteries are subject to the Dangerous Goods Legislation requirements.

Transportation of those batteries has to be done in accordance with local, national and international provisions and regulations.

- The user can transport the batteries by road without further requirements.
- Commercial transport of Lithium-Ion batteries by third parties is subject to Dangerous Goods regulations. Transport preparation and transport are exclusively to be carried out by appropriately trained persons and the process has to be accompanied by corresponding experts.

When transporting batteries:

- Ensure that battery contact terminals are protected and insulated to prevent short circuit.
- Ensure that battery pack is secured against movement within packaging.
- Do not transport batteries that are cracked or leak.

Check with forwarding company for further advice

MAINTENANCE

Use only Milwaukee accessories and Milwaukee spare parts. Should components need to be replaced which have not been described, please contact one of our Milwaukee service agents (see our list of guarantee/service addresses).

If needed, an exploded view of the tool can be ordered. Please state the machine type printed as well as the six-digit No. on the label and order the drawing at your local service agents or directly at: Techtronic Industries GmbH, Max-Eyth-Straße 10, 71364 Winnenden, Germany.

SYMBOLS



CAUTION! WARNING! DANGER!



Remove the battery pack before starting any work on the machine.



Please read the instructions carefully before starting the machine.



Class III electrical protection.



Do not dispose electric tools, batteries/rechargeable batteries together with household waste material. Electric tools and batteries that have reached the end of their life must be collected separately and returned to an environmentally compatible recycling facility. Check with your local authority or retailer for recycling advice and collection point.



European Conformity Mark



National mark of conformity Ukraine



Eurasian Conformity Mark.

Produktionsnummer	4603 30 01...
	...000001-999999
Luftstrom.....	1300 l/min
Unterdruck.....	80 mbar
Fassungsvermögen.....	7,5 l
Filterfläche (Hepa).....	H13
Saugschlauchdurchmesser.....	41 mm
Saugschlauch.....	475 mm
Spannung Wechselakku.....	18 V
Höhe/Breite/Länge.....	31/21/43 cm
Gewicht nach EPTA-Prozedur 01/2003.....	4,59 kg
Gewicht nach EPTA-Prozedur 01/2003 (5,0 Ah).....	5,33 kg
Schutzklasse.....	IP54
Empfohlene Umgebungstemperatur beim Arbeiten.....	-18...+50 °C
Empfohlene Akkutypen.....	M18B2, M18B4, M18B5, M18B6, M18B9
Empfohlene Ladegeräte.....	M12-18C, M12-18AC, M12-18FC, M1418C6

⚠️ WARNUNG! Lesen Sie alle Sicherheitshinweise und Anweisungen. Versäumnisse bei der Einhaltung der Sicherheitshinweise und Anweisungen können elektrischen Schlag, Brand und/oder schwere Verletzungen verursachen. **Bewahren Sie alle Sicherheitshinweise und Anweisungen für die Zukunft auf.**

⚠️ SPEZIELLE SICHERHEITSHINWEISE

Generell dürfen keine brennbaren oder explosiven Lösungsmittel, Flüssigkeiten wie Benzin, Öl, Alkohol, Verdünnung und keine Teile (Metallspäne, Asche), mit einer Temperatur über 60 °C aufgesaugt werden; es besteht sonst Explosions- und Brandgefahr!

Das Gerät darf nicht in der Nähe von entflammenden Gasen und Substanzen verwendet werden

Gerät einschließlich Zubehör nicht in Betrieb nehmen wenn: Gerät erkennbare Schäden (Risse/Brüche) aufweist, die Netzanschlussleitung defekt ist, oder Rissbildung bzw. Alterung aufweist, Verdacht auf einen unsichtbaren Defekt (nach einem Sturz) besteht.

Düse, Schlauch oder Rohr nicht auf Menschen oder Tiere richten.

Bei Austritt von Schaum oder Wasser sofort abschalten. Behälter und ggf. Faltenfilter entleeren.

Säure, Azeton und Lösungsmittel können Geräteteile anätzen.

Bei Zweckentfremdung, unsachgemäßer Bedienung oder nicht fachgerechter Reparatur, wird keine Haftung für eventuelle Schäden übernommen.

Nicht für die Absaugung gesundheitsgefährlicher Stäube verwenden.

Nicht geeignet zum Aufsaugen stark schäumender Flüssigkeiten.

Vor allen Arbeiten an der Maschine den Wechselakku herausnehmen

Verbrauchte Wechselakkus nicht ins Feuer oder in den Hausmüll werfen. Milwaukee bietet eine umweltgerechte Alt-Wechselakku-Entsorgung an; bitte fragen Sie Ihren Fachhändler.

Wechselakkus nicht zusammen mit Metallgegenständen aufbewahren (Kurzschlussgefahr).

Wechselakkus des Systems M18 nur mit Ladegeräten des Systems M18 laden. Keine Akkus aus anderen Systemen laden.

Unter extremer Belastung oder extremer Temperatur kann aus beschädigten Wechselakkus Batterieflüssigkeit auslaufen. Bei Berührung mit Batterieflüssigkeit sofort mit Wasser und Seife abwaschen. Bei Augenkontakt sofort mindestens 10 Minuten gründlich spülen und unverzüglich einen Arzt aufsuchen.

Warnung! Um die durch einen Kurzschluss verursachte Gefahr eines Brandes, von Verletzungen oder

Produktbeschädigungen zu vermeiden, tauchen Sie das Werkzeug, den Wechselakku oder das Ladegerät nicht in Flüssigkeiten ein und sorgen Sie dafür, dass keine Flüssigkeiten in die Geräte und Akkus eindringen. Korrodierende oder leitfähige Flüssigkeiten, wie Salzwasser, bestimmte Chemikalien und Bleichmittel oder Produkte, die Bleichmittel enthalten, können einen Kurzschluss verursachen.

Dieses Gerät darf nicht von Personen bedient oder gereinigt werden, die über verminderte körperliche, sensorische oder geistige Fähigkeiten bzw. mangelnde Erfahrung oder Kenntnisse verfügen, es sei denn, sie wurden von einer gesetzlich für ihre Sicherheit verantwortliche Person im sicheren Umgang mit dem Gerät unterwiesen. Oben genannte Personen sind bei der Verwendung des Geräts zu beaufsichtigen. Dieses Gerät gehört nicht in die Hände von Kindern. Bei Nichtverwendung ist es deshalb sicher und außerhalb der Reichweite von Kindern zu verwahren. Haare, lose Kleidungsstücke und Körperteile nicht in die Nähe von Öffnungen oder beweglichen Teilen des Geräts bringen. Das Gerät nicht einsetzen, falls eine der Öffnungen blockiert ist und keine Gegenstände in die Öffnungen stecken. Die Öffnungen frei halten von Staub, Fusseln, Haaren und sonstigem Material, das den Luftstrom hemmen könnte.

Nicht in Außenbereichen bei niedrigen Temperaturen verwenden.

Keine entzündlichen oder brennbaren Flüssigkeiten wie Benzin aufsaugen. Nicht in Bereichen verwenden, wo solche Flüssigkeiten vorhanden sein können.

Keinesfalls rauchende oder brennende Gegenstände (wie z. B. Zigaretten, Zündhölzer, heiße Asche) aufsaugen.

Bei der Reinigung auf Treppen besonders vorsichtig sein.

Nur verwenden, wenn die Filter eingesetzt sind.

Wenn das Gerät nicht richtig funktioniert, es heruntergefallen oder beschädigt ist, wenn es im Freien gestanden hat oder ins Wasser gefallen ist, muss es zu einer Servicewerkstatt oder einem Händler gebracht werden.

Das Gerät bei Schaumentwicklung oder Austritt von Flüssigkeit sofort ausschalten.

Das Gerät darf nicht als Wasserpumpe verwendet werden. Das Gerät ist dafür geeignet, ein Luft-Wasser-Gemisch aufzusaugen.

Am Arbeitsplatz für ausreichende Lüftung sorgen.

Das Gerät nicht als Tritt oder Leiter benutzen. Das Gerät könnte dabei umkippen und beschädigt werden. Verletzungsgefahr.

Gefahrstoffe.

Das Aufsaugen von Gefahrenstoffen kann zu schweren oder sogar tödlichen Verletzungen führen.

Die folgenden Stoffe dürfen mit diesem Gerät nicht aufgenommen werden:

- heiße Materialien (brennende Zigaretten, glühende Asche usw.)
- entflammbare, explosive oder aggressive Flüssigkeiten (z. B. Benzin, Lösungsmittel, Säuren, Basen usw.)
- entflammbarer, explosiver Staub (z. B. Magnesium- oder Aluminiumstaub usw.)

BESTIMMUNGSGEMÄSSE VERWENDUNG

Das Gerät ist für folgende Arbeiten geeignet: Absaugen nicht toxischer Stäube und nicht brennbarer Flüssigkeiten, Aufsaugen von Putz- oder Schmutzwasser, Freisaugen verstopfter Abflüsse, Endreinigung vor Ort (Baustelle, Arbeitsplatz etc.).

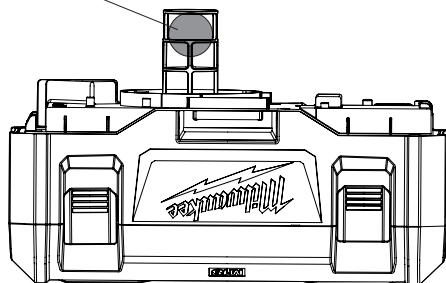
Dieses Gerät darf nur wie angegeben bestimmungsgemäß verwendet werden.

NASSSAUGBETRIEB

ALLE Schmutzrückstände aus dem Tank entfernen.

Den Filter entnehmen. Sicherstellen, dass das Schwimmergehäuse an Ort und Stelle bleibt.

Schwimmergehäuse



Den Staubsauger einschalten und mit dem Saugen beginnen.

Das Gerät sofort nach dem Nasssaugen bzw. wenn der Tank voll ist ausschalten.

HINWEIS: Wenn die Saugleistung nachlässt, den Staubsauger sofort ausschalten und den Tank leeren.

Den Wechselakku entfernen.

Den Schlauch senkrecht halten, damit die darin enthaltene Flüssigkeit in den Tank abfließen kann.

Das Motorgehäuse entfernen und das Schmutzwasser ordnungsgemäß entsorgen.

Den Tankinnenraum und das Saugzubehör regelmäßig reinigen, vor allem nach dem Aufsaugen von nassem oder klebrigem Material. Zum Reinigen warmes Seifenwasser verwenden.

AUTOMATISCHE SAUGABSCHALTUNG

Beim Aufsaugen von Flüssigkeiten steigt ein innenliegender Schwimmer immer weiter nach oben, bis er eine Dichtung am Motoreingang erreicht und die Saugkraft abgeschaltet

wird. Der Motor läuft dann mit einem höheren Ton und die Saugleistung wird drastisch reduziert. Schalten Sie in diesem Fall den Staubsauger sofort aus. Wenn Sie das Gerät nicht ausschalten, nachdem der Schwimmer seine obere Position erreicht hat und die Saugkraft nachlässt, wird der Motor schwer beschädigt. Leeren Sie vor dem erneuten Einschalten des Geräts den Schmutzwassertank.

HINWEIS: Sollte der Staubsauger versehentlich umkippen, kann er an Saugleistung verlieren. Schalten Sie den Staubsauger in diesem Fall aus und richten Sie ihn wieder auf. Dadurch kehrt auch der Schwimmer wieder in seine normale Position zurück.

AKKUS

Längere Zeit nicht benutzte Wechselakkus vor Gebrauch nachladen.

Eine Temperatur über 50°C vermindert die Leistung des Wechselakkus. Längere Erwärmung durch Sonne oder Heizung vermeiden.

Die Anschlusskontakte an Ladegerät und Wechselakku sauber halten.

Für eine optimale Lebensdauer müssen nach dem Gebrauch die Akkus voll geladen werden.

Für eine möglichst lange Lebensdauer sollten die Akkus nach dem Aufladen aus dem Ladegerät entfernt werden.

Bei Lagerung des Akkus länger als 30 Tage:

Akku bei ca. 27°C und trocken lagern.

Akku bei ca. 30%-50% des Ladezustandes lagern.

Akku alle 6 Monate erneut aufladen.

TRANSPORT VON LITHIUM-IONEN-AKKUS

Lithium-Ionen-Akkus fallen unter die gesetzlichen Bestimmungen zum Gefahrguttransport.

Der Transport dieser Akkus muss unter Einhaltung der lokalen, nationalen und internationalen Vorschriften und Bestimmungen erfolgen.

- Verbraucher dürfen diese Akkus ohne Weiteres auf der Straße transportieren.
- Der kommerzielle Transport von Lithium-Ionen-Akkus durch Speditionsunternehmen unterliegt den Bestimmungen des Gefahrguttransports. Die Versandvorbereitungen und der Transport dürfen ausschließlich von entsprechend geschulten Personen durchgeführt werden. Der gesamte Prozess muss fachmännisch begleitet werden.

Folgende Punkte sind beim Transport von Akkus zu beachten:

- Stellen Sie sicher, dass die Kontakte geschützt und isoliert sind, um Kurzschlüsse zu vermeiden.
- Achten Sie darauf, dass der Akkupack innerhalb der Verpackung nicht verrutschen kann.
- Beschädigte oder auslaufende Akkus dürfen nicht transportiert werden.

Wenden Sie sich für weitere Hinweise an Ihr Speditionsunternehmen.

WARTUNG

Nur Milwaukee Zubehör und Milwaukee Ersatzteile verwenden. Bauteile, deren Austausch nicht beschrieben wurde, bei einer Milwaukee Kundendienststelle auswechseln lassen (Broschüre Garantie/Kundendienstadressen beachten).

Bei Bedarf kann eine Explosionszeichnung des Gerätes unter Angabe der Maschinen Type und der sechsstelligen Nummer auf dem Leistungsschild bei Ihrer Kundendienststelle oder direkt bei Techtronic Industries GmbH, Max-Eyth-Straße 10, 71364 Winnenden, Germany angefordert werden.

SYMBOLE



ACHTUNG! WARNUNG! GEFAHR!



Vor allen Arbeiten an der Maschine den Wechselakku herausnehmen



Bitte lesen Sie die Gebrauchsanweisung vor Inbetriebnahme sorgfältig durch.



Elektrische Schutzklasse III.



Elektrogeräte, Batterien/Akkus dürfen nicht zusammen mit dem Hausmüll entsorgt werden. Elektrische Geräte und Akkus sind getrennt zu sammeln und zur umweltgerechten Entsorgung bei einem Verwertungsbetrieb abzugeben. Erkundigen Sie sich bei den örtlichen Behörden oder bei Ihrem Fachhändler nach Recyclinghöfen und Sammelstellen.



CE-Zeichen



Nationales Konformitätszeichen Ukraine



EurAsian Konformitätszeichen

Número de série	4603 30 011... ...000001-999999
Courant d'air	1300 l/min
Sous-pression	80 mbar
Contenance	7,5 l
Surface du filtre (Hepa)	H13
Diamètre du tuyau d'aspiration	41 mm
Tuyau d'aspiration	475 mm
Tension accu interchangeable	18 V
Dimensions totales	31/21/43 cm
Poids suivant EPTA-Procédure 01/2003	4,59 kg
Poids suivant EPTA-Procédure 01/2003 (5,0 Ah)	5,33 kg
Classe de protection	IP54
Température conseillée lors du travail	-18...+50 °C
Batteries conseillées	M18B2, M18B4, M18B5, M18B6, M18B9
Chargeurs de batteries conseillés	M12-18C, M12-18AC, M12-18FC, M1418C6

⚠ AVIS! Lire complètement les instructions et les indications de sécurité. Le non-respect des avertissements et instructions indiqués ci après peut entraîner un choc électrique, un incendie et/ou de graves blessures sur les personnes.

Bien garder tous les avertissements et instructions.

⚠ INSTRUCTIONS DE SÉCURITÉ PARTICULIÈRES

En règle générale, ne jamais aspirer de produits solvants inflammables ou explosifs, de liquides tels que l'essence, l'huile, l'alcool, dilution et petites pièces (copeaux métalliques, cendres) à une température supérieure à 60°C car dans le cas contraire, il y a un risque d'explosion et d'incendie!

Ne jamais utiliser l'appareil à proximité de gaz et substances inflammables.

Ne pas mettre en marche l'appareil et ses accessoires lorsque : l'appareil présente des dommages visibles (craques/ruptures), le cordon d'alimentation est défectueux, ou qu'il est craqué ou détérioré par la vieillesse, on peut soupçonner la présence d'un défaut invisible (après une chute).

Ne pas diriger le suceur, le flexible ou le tube sur des personnes ou des animaux.

Arrêter immédiatement l'appareil s'il dégage de la mousse ou de l'eau. Vider la cuve et le cas échéant le filtre à plis.

Les acides, l'acétone et les solvants sont susceptibles d'attaquer des pièces de l'appareil.

En cas d'utilisation non conforme, d'erreur de manipulation ou de réparation contraire aux règles de l'art, les dommages éventuels ne seront plus garantis.

Ne pas utiliser pour l'aspiration de poussières nuisibles à la santé.

L'appareil ne doit pas être utilisé pour aspirer les liquides très moussants.

Avant tous travaux sur la machine retirer l'accu interchangeable.

Ne pas jeter les accus interchangeables usés au feu ou avec les déchets ménagers. Milwaukee offre un système d'évacuation écologique des accus usés.

Ne pas conserver les accus interchangeables avec des objets métalliques (risque de court-circuit)

Ne charger les accus interchangeables du système M18 qu'avec le chargeur d'accus du système M18. Ne pas charger des accus d'autres systèmes.

En cas de conditions ou températures extrêmes, du liquide caustique peut s'échapper d'un accu interchangeable endommagé. En cas de contact avec le liquide caustique de la batterie, laver immédiatement avec de l'eau et du savon. En cas de contact avec les yeux, rincer soigneusement avec de l'eau et consulter immédiatement un médecin.

⚠ Avertissement! Pour réduire le risque d'incendie, de blessures corporelles et de dommages causés par un court-circuit, ne jamais immerger l'outil, le bloc-piles ou le chargeur dans un liquide ou laisser couler un fluide à l'intérieur de celui-ci. Les fluides corrosifs ou conducteurs, tels que l'eau de mer, certains produits chim-iques industriels, les produits de blanchiment ou de blanchi-ment, etc., Peuvent provoquer un court-circuit.

Ce dispositif ne doit pas être utilisé ou nettoyé par des personnes avec des capacités physiques, sensorielles ou mentales réduites, ou manque d'expérience ou de connaissances, à moins qu'elles n'aient reçu une instruction concernant la gestion sécurisée du dispositif par une personne juridiquement responsable de leur sécurité. Les personnes mentionnées ci-dessus devront être surveillées pendant l'utilisation du dispositif. Ce dispositif ne doit pas être manié par des enfants. Pour cette raison, en cas de non utilisation, il doit être gardé en sécurité hors de la portée des enfants.

Tenez les cheveux, les vêtements amples, les doigts et toutes les parties du corps distance des ouvertures et des parties mobiles. Ne pas insérer d'objets dans les ouvertures ou ne pas utiliser avec les ouvertures bloquées. Veillez à ce que les ouvertures ne soient

jamais obstruées par de la poussière, de la peluche, des cheveux ou quoi que ce soit risquant de réduire le flux d'air.

N'utilisez pas la machine en extérieur, à basse température.

Ne pas se servir de la machine pour ramasser des liquides inflammables ou combustibles, comme de l'essence, et ne pas l'utiliser dans un environnement dans lequel de tels liquides pourraient être présents.

N'aspirez rien qui soit en train de fumer ou de brûler (par ex. cigarettes, allumettes ou cendres chaudes).

Faire plus d'attention pendant le nettoyage des escaliers.

Ne pas utiliser l'appareil s'il n'est pas équipé de filtres.

Si la machine ne fonctionne pas correctement, a fait l'objet d'une chute, a été endommagé, laissé en plein air ou immergé, le retourner dans un centre technique ou un distributeur.

En cas de production de mousse ou de sortie de liquide de la machine, arrêtez immédiatement l'aspirateur.

La machine ne peut pas être utilisée comme pompe à eau. La machine a été conçue pour aspirer de l'air et des mélanges contenant de l'eau.

Assurez une ventilation suffisante du lieu de travail.

N'utilisez pas la machine sur une échelle ou un escabeau. Elle

pourrait basculer et subir des dommages. Risque de blessure.

Substances dangereuses.

Passer l'aspirateur sur des substances dangereuses peut provoquer des blessures graves, voire même mortelles.

Les substances suivantes ne doivent pas être aspirées par la machine :

- déchets chauds (cigarettes allumées, cendres chaudes, etc.)
- liquides inflammables, explosifs, agressifs (par ex. essence, solvants, acides, alcalis, etc.)
- poussière inflammable, explosive (par ex. poussière de magnésium ou d'aluminium, etc.)

UTILISATION CONFORME AUX PRESCRIPTIONS

L'appareil peut être utilisé pour des travaux suivants: aspiration de poussières non toxiques et de liquides non inflammables, aspiration d'eau boueuse et de liquides décapants, aspiration d'égouts bouchés, nettoyage final sur les lieux (chantier, place de travail, etc.)

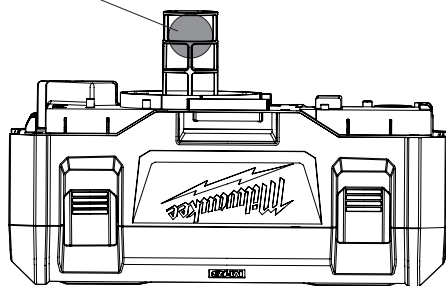
Comme déjà indiqué, cette machine n'est conçue que pour être utilisée conformément aux prescriptions.

FONCTIONNEMENT ASPIRATION SUR MOUILLÉ

Enlever TOUS les restes résiduels de saleté du réservoir.

Enlever le filtre. S'assurer que la cage du flotteur soit à sa place.

Cage du flotteur



Activer l'aspirateur et commencer à aspirer.

Désactiver l'appareil immédiatement après l'aspiration sur mouillé ou dans le cas de réservoir plein.

AVIS: Lorsque la puissance d'aspiration diminue, désactiver l'aspirateur immédiatement et vider le réservoir.

Enlever la batterie rechargeable.

Tenir le tuyau en position verticale pour faire couler dans le réservoir le liquide contenu dans le tuyau.

Enlever le boîtier du moteur et éliminer correctement l'eau sale.

Nettoyer à intervalles réguliers l'intérieur du réservoir et les accessoires d'aspiration, surtout après l'aspiration de matériau mouillé ou gisant. Pour le nettoyage utiliser de l'eau chaude savonneuse.

DÉSACTIVATION AUTOMATIQUE DE L'ASPIRATION

Lors de l'aspiration de liquides, un flotteur interne continue à monter vers le haut jusqu'à atteindre un joint à l'entrée du moteur. À ce stade, l'aspiration sera désactivée. Le moteur continuera à tourner en produisant un bruit en tonalité plus haute et la puissance d'aspiration sera réduite de façon drastique. Dans ce cas désactiver immédiatement l'aspirateur. La non désactivation de l'appareil, lorsque le flotteur a atteint sa position supérieure et la force d'aspiration diminue, cause de dommages sérieux au moteur. Avant de réactiver l'appareil, vider le réservoir d'eau sale.

AVIS: En cas de renversement accidentel de l'aspirateur, la puissance d'aspiration peut diminuer. Dans ce cas désactiver l'aspirateur et rétablir sa position normale. De cette façon, le flotteur aussi reprendra sa position normale.

ACCUS

Recharger les accus avant utilisation après une longue période de non utilisation.

Une température supérieure à 50°C amoindrit la capacité des accus. Éviter les expositions prolongées au soleil ou au chauffage.

Tenir propres les contacts des accus et des chargeurs.

Pour une durée de vie optimale, les accus doivent être chargés à fond après l'utilisation.

Pour une plus longue durée de vie, enlever les batteries du chargeur de batterie quand celles-ci seront chargées.

En cas d'entreposage de la batterie pour plus de 30 jours: Entreposer la batterie à 27°C environ dans un endroit sec. Entreposer la batterie avec une charge d'environ 30% - 50%.

Recharger la batterie tous les 6 mois.

TRANSPORT DE BATTERIES LITHIUM-ION

Les batteries lithium-ion sont soumises aux dispositions législatives concernant le transport de produits dangereux.

Le transport de ces batteries devra s'effectuer dans le respect des dispositions et des normes locales, nationales et internationales.

- Les utilisateurs peuvent transporter ces batteries sans restrictions.
- Le transport commercial de batteries lithium-ion est réglé par les dispositions concernant le transport de produits dangereux. La préparation au transport et le transport devront être effectués uniquement par du personnel formé de façon adéquate. Tout le procédé devra être géré d'une manière professionnelle.

Durant le transport de batteries il faut respecter les consignes suivantes :

- S'assurer que les contacts soient protégés et isolés en vue d'éviter des courts-circuits.
- S'assurer que le groupe de batteries ne puisse pas se déplacer à l'intérieur de son emballage.
- Des batteries endommagées ou des batteries perdant du liquide ne devront pas être transportées.

Pour tout renseignement complémentaire veuillez vous adresser à votre transporteur professionnel.

ENTRETIEN

N'utiliser que des pièces et accessoires Milwaukee. Pour des pièces dont l'échange n'est pas décrit, s'adresser de préférence aux stations de service après-vente Milwaukee (voir brochure Garantie/Adresses des stations de service après-vente).

En cas de besoin il est possible de demander un dessin éclaté du dispositif en indiquant le modèle de la machine et le numéro de six chiffres imprimé sur la plaquette de puissance et en s'adressant au centre d'assistance technique ou directement à Techtronic Industries GmbH, Max-Eyth-Straße 10, 71364 Winnenden, Germany.

SYMBOLES



ATTENTION! AVERTISSEMENT! DANGER!



Avant tous travaux sur la machine retirer l'accu interchangeable.



Veuillez lire avec soin le mode d'emploi avant la mise en service



Classe de protection électrique III.



Les dispositifs électriques, les batteries et les batteries rechargeables ne sont pas à éliminer dans les déchets ménagers. Les dispositifs électriques et les batteries sont à collecter séparément et à remettre à un centre de recyclage en vue de leur élimination dans le respect de l'environnement. S'adresser aux autorités locales ou au détaillant spécialisé en vue de connaître l'emplacement des centres de recyclage et des points de collecte.



Marque CE



Symbole national de conformité Ukraine.



Marque de qualité EurAsian

Numero di serie	4603 30 01...
	...000001-999999
Corrente d'aria	1300 l/min
Depressione/aspirazione	80 mbar
Capacità	7,5 l
Capacità filtro (Hepa)	H13
Diametro tubo d'aspirazione	41 mm
Tubo d'aspirazione	475 mm
Tensione batteria	18 V
Ingombro totale	31/21/43 cm
Peso secondo la procedura EPTA 01/2003	4,59 kg
Peso secondo la procedura EPTA 01/2003 (5,0 Ah)	5,33 kg
Classe di protezione	IP54
Temperatura consigliata durante il lavoro	-18...+50 °C
Batterie consigliate	M18B2, M18B4, M18B5, M18B6, M18B9
Caricatori consigliati	M12-18C, M12-18AC, M12-18FC, M1418C6

AVVERTENZA! Leggere tutte le istruzioni ed indicazioni di sicurezza. In caso di mancato rispetto delle avvertenze di pericolo e delle istruzioni operative si potrà creare il pericolo di scosse elettriche, incendi e/o incidenti gravi.
Conservare tutte le avvertenze di pericolo e le istruzioni operative per ogni esigenza futura.

NORME DI SICUREZZA

In generale, non dovranno essere aspirate né sostanze esplosive o infiammabili come solventi, benzina, alcool, né trucioli di metallo o cenere aventi una temperatura superiore ai 605°C, pena il rischio di incendio ed esplosione.

L'apparecchiatura non deve essere usata nelle vicinanze di gas o altre sostanze infiammabili.

Non mettere in funzione l'apparecchio ed i suoi accessori se: l'apparecchio presenta danni visibili (cricche/rotture), la linea di collegamento alla rete è difettosa oppure presenta formazioni di crepe o invecchiamento, si sospetta un difetto non visibile (in seguito alla caduta dell'apparecchio).

Non puntare la bocchetta, il tubo flessibile o il tubo su persone o animali.

In caso di fuoriuscita di schiuma o acqua spegnere immediatamente l'apparecchio. Svuotare il serbatoio ed eventualmente il filtro piegheettato.

Acidi, acetone e solventi possono corrodere parti dell'apparecchio.

In caso di uso improprio, inappropriato o di riparazioni non eseguite a regola d'arte, si declina qualsiasi responsabilità per eventuali danni.

Non aspirare polveri che possano essere pericolose per la salute.

Non adatto per la rimozione di liquidi che generano grande schiuma.

Prima di iniziare togliere la batteria dalla macchina.

Non gettare le batterie esaurite sul fuoco o nella spazzatura di casa. La Milwaukee offre infatti un servizio di recupero batterie usate.

Nel vano d'innesto per la batteria del caricatore non devono entrare parti metalliche. (pericolo di cortocircuito).

Le batterie del System M18 sono ricaricabili esclusivamente con i caricatori del System M18. Le batterie di altri sistemi non possono essere ricaricate.

Nel caso di batterie danneggiate da un carico eccessivo o da temperature alte, l'acido di queste potrebbe fuoriuscire. In caso di contatto con l'acido delle batterie lavarsi immediatamente con acqua e sapone. In caso di contatto con gli occhi risciacquare immediatamente con acqua per almeno 10 minuti e contattare subito un medico.

Attenzione! Per ridurre il rischio d'incendio, di lesioni o di danni al prodotto causati da corto circuito, non immergere mai l'utensile, la batteria ricaricabile o il carica batterie in un

liquido e non lasciare mai penetrare alcun liquido all'interno dei dispositivi e delle batterie. I fluidi corrosivi o conduttori come acqua salata, alcuni agenti chimici, agenti candeggianti o prodotti contenenti agenti candeggianti potrebbero provocare un corto circuito.

Questo dispositivo non deve essere usato o pulito da persone con capacità fisiche, sensoriali o mentali ridotte o con mancanza di esperienza o conoscenza, salvo che vengano istruite nella gestione in sicurezza del dispositivo da persona giuridicamente responsabile della loro sicurezza. Le persone di cui sopra dovranno essere sorvegliate durante l'uso del dispositivo. Questo dispositivo non deve essere maneggiato da bambini. Per questo motivo, quando non viene usato, deve essere conservato in sicurezza al di fuori della portata di bambini. Tenere i capelli, i vestiti non aderenti, le dita e tutte le parti del corpo lontano dalle aperture e dalle parti in movimento. Non infilare oggetti nelle aperture e non usare l'apparecchio con l'apertura bloccata. Tenere le aperture prive di polvere, pelucchi, capelli, e ogni altra cosa che possa ridurre il flusso di aria.

Non utilizzare in aree esterne a bassa temperatura.

Non utilizzare per aspirare liquidi infiammabili o combustibili come benzina, e non utilizzare in aree in cui questi ultimi possono essere presenti.

Non aspirare niente che stia bruciando o emettendo fumo, come sigarette, fiammiferi o ceneri incandescenti.

Prestare particolare attenzione quando si puliscono le scale.

Non utilizzare se i filtri non sono montati.

Se la macchina non funziona correttamente o è stata fatta cadere, danneggiata, lasciata all'aperto o fatta cadere in acqua, portarla presso un centro di assistenza o il rivenditore.

Se schiuma o liquidi fuoriescono dall'apparecchio, spegnerlo immediatamente.

La macchina non deve essere utilizzata come una pompa dell'acqua. La macchina è destinata all'aspirazione di miscele di aria e di acqua.

Garantire una buona ventilazione presso il luogo di lavoro.

Non utilizzare la macchina come una scala. La macchina potrebbe ribaltarsi e danneggiarsi. Pericolo di lesioni.

Materiali pericolosi.

L'aspirazione di materiali pericolosi può causare lesioni gravi o perfino letali.

La macchina non deve essere utilizzata per aspirare i seguenti materiali:

- materiali caldi (sigarette accese, cenere incandescente, ecc.)
- liquidi infiammabili, esplosivi o aggressivi (ad es. benzina, solventi, acidi, alcali, ecc.)
- polveri infiammabili o esplosive (ad es. polvere di magnesio o alluminio, ecc.)

UTILIZZO CONFORME

L'apparecchio è adatto per i seguenti lavori: aspirare polveri non tossiche, liquidi non infiammabili, acqua sporca, per liberare fori di scarico intasati o per la pulizia finale di luoghi (per esempio cantieri o luoghi di lavoro in genere).

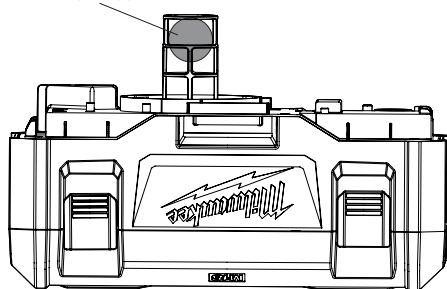
Utilizzare il prodotto solo per l'uso per cui è previsto.

FUNZIONAMENTO DI ASPIRAZIONE SU BAGNATO

Togliere TUTTI i residui di sporco dal serbatoio.

Togliere il filtro. Accertarsi che la gabbia del galleggiante resti al suo posto.

Gabbia del galleggiante



Accendere l'aspiratore ed iniziare ad aspirare.

Spegnerlo subito dopo l'aspirazione su bagnato o quando il serbatoio è pieno.

AVVISO: Quando la potenza di aspirazione diminuisce, spegnere subito l'aspiratore e svuotare il serbatoio.

Togliere la batteria ricaricabile.

Tenere il tubo in verticale per fare defluire nel serbatoio il liquido contenuto nel tubo.

Togliere la carcassa del motore e smaltire correttamente l'acqua sporca.

Pulire ad intervalli regolari l'interno del serbatoio e gli accessori di aspirazione, soprattutto dopo aver aspirato del materiale bagnato o appiccicoso. Per la pulizia usare acqua calda saponata.

DISATTIVAZIONE AUTOMATICA DELL'ASPIRAZIONE

Durante l'aspirazione di liquidi, un galleggiante interno continua a salire verso l'alto fino a raggiungere una guarnizione all'ingresso motore. A questo punto l'aspirazione verrà disattivata. Il motore continuerà a girare producendo rumore di tonalità più alta e la potenza di

aspirazione sarà ridotta drasticamente. In questo caso spegnere subito l'aspiratore. Il mancato spegnimento del dispositivo quando il galleggiante ha raggiunto la sua posizione superiore e la forza di aspirazione diminuisce, causa gravi danni al motore. Prima di riaccendere il dispositivo, svuotare il serbatoio d'acqua sporca.

AVVISO: In caso di rovesciamento accidentale dell'aspiratore, la potenza di aspirazione può diminuire. In questo caso spegnere l'aspiratore e riportarlo nella sua posizione normale. In questo modo anche il galleggiante tornerà nella sua posizione normale.

BATTERIE

Batterie non utilizzate per molto tempo devono essere ricaricate prima dell'uso.

A temperature superiori ai 50°C, la potenza della batteria si riduce.

Evitare di esporre l'accumulatore a surriscaldamento prolungato, dovuto ad esempio ai raggi del sole o ad un impianto di riscaldamento.

Per una ottimale vita utile è necessario ricaricare completamente le batterie dopo l'uso.

Per una più lunga durata, rimuovere le batterie dal caricabatterie quando saranno cariche.

In caso di immagazzinaggio della batteria per più di 30 giorni:

Immagazzinare la batteria a circa 27°C in ambiente asciutto. Immagazzinare la batteria con carica di circa il 30% - 50%. Ricaricare la batteria ogni 6 mesi.

TRASPORTO DI BATTERIE AGLI IONI DI LITIO

Le batterie agli ioni di litio sono soggette alle disposizioni di legge sul trasporto di merce pericolosa.

Il trasporto di queste batterie deve avvenire rispettando le disposizioni e norme locali, nazionali ed internazionali.

- Gli utilizzatori possono trasportare queste batterie su strada senza alcuna restrizione.
- Il trasporto commerciale di batterie agli ioni di litio è regolato dalle disposizioni sul trasporto di merce pericolosa. Le preparazioni al trasporto ed il trasporto stesso devono essere svolti esclusivamente da persone idoneamente istruite. Tutto il processo deve essere gestito in maniera professionale.

Durante il trasporto di batterie occorre tenere conto di quanto segue:

- Assicurarsi che i contatti siano protetti ed isolati per evitare corto circuiti.
- Accertarsi che il gruppo di batterie non possa spostarsi all'interno dell'imballaggio.
- Batterie danneggiate o batterie che perdono liquido non devono essere trasportate.

Per ulteriori informazioni si prega di contattare il proprio trasportatore.

MANUTENZIONE

Utilizzare esclusivamente accessori e pezzi di ricambio Milwaukee. L'installazione di pezzi di ricambio non specificamente prescritti dall'Milwaukee va preferibilmente effettuata dal servizio di assistenza clienti Milwaukee (ved. opuscolo Garanzia/Indirizzi Assistenza tecnica).

In caso di necessità è possibile richiedere un disegno esploso del dispositivo indicando il modello della macchina ed il numero a sei cifre sulla targa di potenza rivolgendosi al centro di assistenza tecnica o direttamente a Techtronic Industries GmbH, Max-Eyth-Straße 10, 71364 Winnenden, Germany.

SIMBOLI



ATTENZIONE! AVVERTENZA! PERICOLO!



Prima di iniziare togliere la batteria dalla macchina.



Leggere attentamente le istruzioni per l'uso prima di mettere in funzione l'elettrostrumento.



Classe di protezione elettrica III.



I dispositivi elettrici, le batterie e le batterie ricaricabili non devono essere smaltiti con i rifiuti domestici.

I dispositivi elettrici e le batterie devono essere raccolti separatamente e devono essere conferiti ad un centro di riciclaggio per lo smaltimento rispettoso dell'ambiente.

Chiedere alle autorità locali o al rivenditore specializzato dove si trovano i centri di riciclaggio e i punti di raccolta.



Marchio CE



Simbolo di conformità nazionale Ucraina



Marchio di conformità EurAsian

Número de producción	4603 30 011... ...000001-999999
Caudal de aire	1300 l/min
Vacío	80 mbar
Volumen de:.....	7,5 l
Superficie de filtro (Hepa).....	H13
Diámetro de manguera de aspiración	41 mm
Manguera de aspiración.....	475 mm
Voltaje de batería.....	18 V
Dimensiones globales	31/21/43 cm
Peso de acuerdo con el procedimiento EPTA 01/2003	4,59 kg
Peso de acuerdo con el procedimiento EPTA 01/2003 (5,0 Ah).....	5,33 kg
Clase de protección.....	IP54
Temperatura ambiente recomendada durante el trabajo.....	-18...+50 °C
Tipos de acumulador recomendados	M18B2, M18B4, M18B5, M18B6, M18B9
Cargadores recomendados	M12-18C, M12-18AC, M12-18FC, M1418C6

⚠ ATENCIÓN: Lea atentamente las indicaciones e instrucciones de seguridad. En caso de no atenderse a las advertencias de peligro e instrucciones siguientes, ello puede ocasionar una descarga eléctrica, un incendio y/o lesión grave.

Guardar todas las advertencias de peligro e instrucciones para futuras consultas.

⚠ INSTRUCCIONES DE SEGURIDAD

No aspirar nunca con la máquina ningún disolvente inflamable o explosivo, o líquidos como gasolina, aceite, alcohol, diluyentes, o partículas pequeñas (tales como virutas metálicas o ceniza) que puedan tener una temperatura superior a 60°C, ya que podría existir el riesgo de explosión o incendio!

El aparato no debe utilizarse en las proximidades de gases y sustancias inflamables.

No deben ponerse en marcha los aparatos, accesorios incluidos, si: el aparato presenta daños (grietas, roturas), el cable de alimentación está en mal estado, se observa que está empezando a agrietarse o que está demasiado viejo, se sospecha que se ha producido algún daño no visible (después de una caída).

No dirigir la tobera, la manguera o el tubo hacia personas o animales.

Apagar inmediatamente si sale espuma o agua. Vaciar el depósito y, dado el caso, el filtro plegable.

Los ácidos, la acetona y los disolventes pueden corroer las piezas del aparato.

No se asumirá responsabilidad alguna por los posibles daños causados por una utilización distinta al propio fin del aparato, un mal uso o una reparación técnicamente incorrecta.

No utilizar en la absorción de polvos perjudiciales para la salud.

No adecuado para aspirar líquidos que formen mucha espuma.

Retire la batería antes de comenzar cualquier trabajo en la máquina.

No tire las baterías usadas a la basura ni al fuego. Los Distribuidores Milwaukee ofrecen un servicio de recogida de baterías antiguas para proteger el medio ambiente.

No almacene la batería con objetos metálicos (riesgo de cortocircuito).

Recargar solamente los acumuladores del Sistema M18 en cargadores M18. No intentar recargar acumuladores de otros sistemas.

En caso de sobrecarga o alta temperatura, pueden llegar a producirse escapes de ácido provenientes de la batería. En caso de contacto con éste, limpie inmediatamente la zona con agua y jabón. Si el contacto es en los ojos, límpiese

concienzadamente con agua durante 10 minutos y acuda inmediatamente a un médico

Advertencia! Para reducir el riesgo de incendio, lesión personales y daños al producto debido a un cortocircuito, no sumerja nunca la herramienta, el paquete de baterías o el cargador en líquido ni permita que fluya un fluido dentro de ellos. Los fluidos corrosivos o conductivos, como el agua de mar, ciertos productos químicos industriales y blanqueadores o lejías que contienen, etc., Pueden causar un cortocircuito.

Este aparato no debe ser manejado o limpiado por personas cuyas capacidades físicas, sensoriales o mentales sean reducidas, o por personas sin experiencia o conocimientos, a no ser que éstas hayan sido instruidas en el manejo seguro del aparato por una persona legalmente responsable de su seguridad. Las personas arriba mencionadas deben ser supervisadas durante el uso del aparato. Este aparato no debe ser utilizado por los niños. En caso de no ser utilizado, el aparato se debe mantener fuera del alcance y de la vista de los niños.

Mantenga el cabello, la ropa suelta, los dedos y todas las partes del cuerpo lejos de las aberturas y piezas móviles. No coloque ningún objeto en las aberturas ni use el aparato con la apertura bloqueada. Mantenga las aberturas libres de

polvo, pelusas, pelos y cualquier objeto que pueda reducir el flujo de aire.

No utilizar en zonas exteriores a baja temperatura.

No la use para recoger líquidos inflamables o combustibles tales como gasolina, ni en áreas donde puedan estar presentes.

No recoja nada que se esté quemando o desprenda humo, como cigarrillos, cerillas o cenizas calientes.

Tenga especial cuidado al limpiar escaleras.

No lo utilice a menos que los filtros estén instalados.

Si la máquina no funciona correctamente o se ha caído, dañado, dejado en el exterior o caído al agua, envíelo a un centro de servicio técnico o a su distribuidor.

Si hay un escape de espuma o líquido de la máquina, apáguela inmediatamente

La máquina no puede utilizarse como una bomba de agua. La máquina está diseñada para aspirar mezclas de aire y agua.

Disponga de buena ventilación en el lugar de trabajo.

No utilice la máquina como una escalera. La máquina puede volcar y dañarse. Peligro de lesión.

Materiales peligrosos.

Aspirar materiales peligrosos puede causar lesiones graves o incluso mortales.

Con esta máquina no deben recogerse los materiales siguientes:

- Materiales calientes (cigarrillos encendidos, brasas calientes, etc.)
- Líquidos inflamables, explosivos o corrosivos (como petróleo, disolventes, ácidos, álcalis, etc.)
- Polvo inflamable o explosivo (por ejemplo magnesio o polvo de aluminio, etc.)

APLICACIÓN DE ACUERDO A LA FINALIDAD

El aspirador se puede usar para: succión de polvos no tóxicos y líquidos no combustibles, aspiración de agua fangosa, desatasco de drenajes obstruidos, limpieza "in situ" (zonas de construcción, lugares de trabajo, etc.). [bes.10.09]

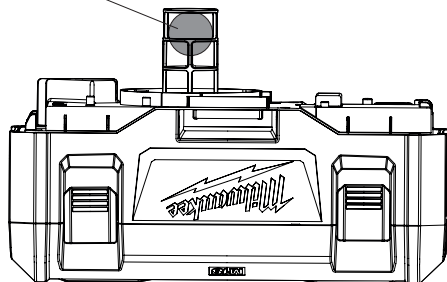
No utilice este producto para ninguna otra aplicación que no sea su uso normal.

OPERACIÓN DE ASPIRACIÓN EN HÚMEDO

Retirar TODOS los restos de impurezas del tanque.

Extraer el filtro. Asegurarse de que la carcasa flotante permanece en su lugar.

Carcasa flotante



Encender el aspirador y comenzar con la aspiración.

Apagar el aparato inmediatamente después de la aspiración en húmedo o cuando el tanque esté lleno.

NOTA: Si la potencia de aspiración remite, apagar inmediatamente el aspirador y vaciar el tanque.

Retirar el acumulador de recambio.

Mantener la manguera en posición vertical para que el líquido contenido en la misma pueda vaciarse en el tanque.

Retirar la carcasa del motor y desechar el agua residual adecuadamente.

Limpiar regularmente el interior del tanque y los accesorios de aspiración, especialmente después de haber aspirado materiales húmedos o viscosos. Para limpiar, utilizar agua jabonosa caliente.

DESCONECCIÓN AUTOMÁTICA DE LA ASPIRACIÓN

Cuando se aspiran líquidos, un flotador interno se eleva de forma continua hacia arriba hasta que alcanza una junta en la entrada del motor, desconectando la fuerza de aspiración. El motor funciona entonces emitiendo un sonido

más agudo y la potencia de aspiración se reduce de forma drástica. En este caso, apague inmediatamente el aspirador. Si no apaga el aparato después de que el flotador ha alcanzado su posición superior y se ha reducido la fuerza de aspiración, el motor sufrirá graves daños. Antes de volver a encender el aparato, vacíe el tanque de agua residual.

NOTA: Si se produce un vuelvo accidental del aspirador, es posible que este pierda potencia de aspiración. En este caso, apague el aspirador y póngalo de nuevo en posición vertical. De esta forma, el flotador también volverá de nuevo a su posición normal.

BATERIA

Las baterías no utilizadas durante cierto tiempo deben ser recargadas antes de usar.

Las temperaturas superiores a 50°C reducen el rendimiento de la batería. Evite una exposición excesiva a fuentes de calor o al sol (riesgo de sobrecalentamiento).

Los puntos de contacto de los cargadores y las baterías se deben mantener limpios.

Para un tiempo óptimo de vida, deberán cargarse las baterías completamente después de su uso.

Para garantizar la máxima capacidad y vida útil, las baterías recargables se deberán retirar del cargador una vez finalizada la carga.

En caso de almacenar la batería recargable más de 30 días:

Almacenar la batería recargable en un lugar seco a una temperatura de aproximadamente 27°C.

Almacenar la batería recargable con un estado de carga del 30% y 50% aproximadamente.

Recargar la batería cada 6 meses.

TRANSPORTE DE BATERÍAS DE IONES DE LITIO

Las baterías de iones de litio caen bajo las disposiciones legales relativas al transporte de mercancías peligrosas.

El transporte de estas baterías recargables debe llevarse a cabo, observando las normas y disposiciones locales, nacionales e internacionales.

- Los consumidores pueden transportar estas baterías recargables sin el menor reparo en la calle.
- El transporte comercial de baterías recargables de iones de litio por empresas de transportes está sometido a las disposiciones del transporte de mercancías peligrosas. Las preparaciones para el envío y el transporte deben ser llevados a cabo exclusivamente por personas instruidas adecuadamente. El proceso completo debe ser supervisado por personal competente.

Los siguientes puntos se deben observar para el transporte de las baterías recargables:

- Se debe asegurar que los contactos estén protegidos y aislados para evitar que se produzcan cortocircuitos.
- Preste atención a que el conjunto de baterías recargables no se pueda desplazar dentro del envase.
- Las baterías recargables deterioradas o derramadas no se deben transportar.

Rogamos que para cualquier información adicional se dirija a su empresa de transportes.

MANTENIMIENTO

Solo se deben utilizar accesorios y piezas de repuestos Milwaukee. Piezas cuyo recambio no está descrito en las instrucciones de uso, deben sustituirse en un centro de asistencia técnica Milwaukee (Consulte el folleto Garantía/ Direcciones de Centros de Asistencia Técnica).

Puede solicitar, en caso necesario, una vista despiezada del aparato bajo indicación del tipo de máquina y el número de seis dígitos en la placa indicadora de potencia en su Servicio de Postventa o directamente en Techtronic

Industries GmbH, Max-Eyth-Straße 10, 71364 Winnenden, Germany.

SÍMBOLOS



¡ATENCIÓN! ¡ADVERTENCIA! ¡PELIGRO!



Retire la batería antes de comenzar cualquier trabajo en la máquina.



Lea las instrucciones detenidamente antes de conectar la herramienta



Clase de protección eléctrica III.



Los electrodomésticos y las baterías/acumuladores no se deben eliminar junto con la basura doméstica. Los aparatos eléctricos y los acumuladores se deben recoger por separado y se deben entregar a una empresa de reciclaje para una eliminación respetuosa con el medio ambiente. Infórmese en las autoridades locales o en su tienda especializada sobre los centros de reciclaje y puntos de recogida.



Marca CE



Marca de conformidad nacional de Ucrania



Certificado EAC de conformidad

Número de produção.....	4603 30 01... ...000001-999999
Débito de ar.....	1300 l/min
Depressão.....	80 mbar
Capacidade do:.....	7,5 l
Superfície de filtragem (Hepa).....	H13
Diâmetro da mangueira de sucção.....	41 mm
Mangueira de sucção.....	475 mm
Tensão do acumulador.....	18 V
Dimensões totais.....	31/21/43 cm
Peso nos termos do procedimento-EPTA 01/2003.....	4,59 kg
Peso nos termos do procedimento-EPTA 01/2003 (5,0 Ah).....	5,33 kg
Classe de proteção.....	IP54
Temperatura ambiente recomendada ao trabalhar.....	-18...+50 °C
Tipos de baterias recomendadas.....	M18B2, M18B4, M18B5, M18B6, M18B9
Carregadores recomendados.....	M12-18C, M12-18AC, M12-18FC, M1418C6

⚠️ ADVERTÊNCIA! Leia todas as instruções de segurança e todas as instruções. O desrespeito das advertências e instruções apresentadas abaixo pode causar choque eléctrico, incêndio e/ou graves lesões.
Guarde bem todas as advertências e instruções para futura referência.

⚠️ INSTRUÇÕES DE SEGURANÇA

É interdita a aspiração de diluentes combustíveis ou explosivos e líquidos tais como gasolina, óleo, álcool e materiais de pequena granulometria (limalha, cinzas), quando a sua temperatura fôr superior a 60o C. o não cumprimento desta indicação acarreta perigo de incêndio ou explosão!

O aparelho não deve ser utilizado na proximidade de gases e substâncias inflamáveis.

Não pôr o aparelho em funcionamento, nem seus acessórios, se: o aparelho apresenta danos visíveis (fendas/quebra), o condutor de ligação apresentar defeitos ou indícios de envelhecimento ou fissuras, houver suspeita de um defeito não visível (após uma queda).

Não apontar o bico, a mangueira, nem o tubo para pessoas ou animais.

Na saída de espuma ou água, desligar o aparelho imediatamente. Esvaziar o depósito e, eventualmente, o filtro plissado.

Ácidos, acetona e solventes podem provocar corrosões em componentes do aparelho.

Não assumimos nenhuma responsabilidade por eventuais danos, ocasionados pela utilização fora da finalidade a que se destina, operação imprópria ou reparação por pessoas não qualificadas.

Não aspirar poeiras nocivas à saúde.

Não é aplicável para aspirar líquidos que formem muita espuma.

Antes de efectuar qualquer intervenção na máquina retirar o bloco acumulador.

Não queimar acumuladores gastos nem deitá-los no lixo doméstico. A Milwaukee possui uma eliminação de acumuladores gastos que respeita o meio ambiente.

Não guardar acumuladores junto com objectos metálicos (perigo de curto-circuito).

Use apenas carregadores do Sistema M18 para recarregar os acumuladores do Sistema M18. Não utilize acumuladores de outros sistemas.

Em caso de cargas ou temperaturas extremas, um acumulador de substituição danificado poderá verter líquido de bateria. Se entrar em contacto com este líquido, deverá lavar-se imediatamente com água e sabão. Em caso de contacto com os olhos, enxagüe-os bem e de imediato durante pelo menos 10 minutos e consulte um médico o mais depressa possível.

Advertência! Para evitar o risco de incêndio, de feridas ou de danificação do produto causado por um curto-circuito, não imerja a bateria intercambiável ou o carregador em líquidos e assegure-se de que líquidos não penetrem nos aparelhos ou nas baterias. Líquidos corrosivos ou condutivos como água salgada, determinadas substâncias químicas o produtos que contenham branqueadores podem causar um curto-circuito.

Este aparelho não deve ser usado ou limpado por pessoas com capacidades físicas, sensoriais ou psíquicas reduzidas ou que não possuam a experiência ou os conhecimentos necessários, a não ser que tenham sido instruídas sobre o manejo seguro do aparelho por uma pessoa que possua a responsabilidade legal para a sua segurança. As pessoas supra referenciadas devem ser supervisionadas durante a utilização do aparelho. Este aparelho não deve ser usado por crianças. Por isso, ele deve ser guardado num lugar seguro e fora do alcance de crianças, quando ele não for usado.

Mantenha o cabelo, a roupa larga, os dedos e todas as partes do corpo afastadas de aberturas e peças móveis. Não coloque objectos em aberturas nem use com a abertura bloqueada. Mantenha as aberturas sem pó, algodão, pêlos ou qualquer outro

resíduo que possa reduzir o fluxo de ar.

Não utilize em zonas exteriores a baixa temperatura.

Não a utilize para apanhar líquidos inflamáveis ou combustíveis como gasolina, nem o utilize em áreas em que estes possam estar presentes.

Não apanhe nada que esteja a arder ou a fumar, como cigarros, fósforos ou cinzas quentes.

Tenha um cuidado redobrado quando limpar em escadas.

Utilize apenas com os filtros colocados.

Se a máquina não estiver a funcionar bem ou tiver caído ou estiver danificada, for deixada no exterior ou for deixada cair dentro de água, leve-a a um centro de assistência ou representante.

Se ocorrer uma fuga de espuma ou líquido da máquina, desligue imediatamente.

A máquina não pode ser usada como bomba de água. A máquina está preparada para aspirar ar e misturas com água.

Assegure uma boa ventilação no local de trabalho.

Não utilize a máquina como escada ou degrau de escada. A máquina pode tombar e ficar danificada. Perigo de lesões.

Materiais perigosos.

Aspirar materiais perigosos pode resultar em lesões graves ou mesmo fatais.

Não devem ser recolhidos pela máquina os seguintes materiais:

- materiais quentes (cigarros acessos, cinzas quentes, etc.)
- líquidos inflamáveis, explosivos, agressivos (por exemplo, gasolina, solventes, ácidos, alcalis, etc.)
- poeiras inflamáveis e explosivas (por exemplo, poeira de magnésio ou alumínio, etc.)

UTILIZAÇÃO AUTORIZADA

O aparelho destina-se à aspiração de poeiras não tóxicas e líquidos não combustíveis, bem como de águas de lavagem e sujas, desentupimento de esgotos, limpeza final em obras, locais de trabalho, etc.

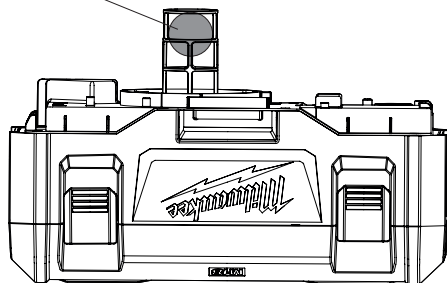
Não use este produto de outra maneira sem ser a normal para o qual foi concebido.

ASPIRADOR MOLHADO

Remova TODAS as partículas de sujeira do tanque.

Remova o filtro. Assegure-se de que a caixa do flutuador fique no seu lugar.

Caixa do flutuador



Ligue o aspirador de pó e comece a aspirar.

Desligue o aparelho imediatamente após a aspiração molhada ou quando o tanque estiver cheio.

NOTA: Quando a potência de aspiração se reduzir, desligue imediatamente o aspirador e esvazie o tanque.

Remova a bateria intercambiável.

Segure a mangueira em posição vertical para permitir que o líquido entre no tanque.

Remova a caixa do motor e elimine a água suja corretamente.

Limpe o interior do tanque e os acessórios de aspiração periodicamente, particularmente depois de aspirar material molhado ou pegajoso. Use água morna com sabão para a limpeza.

DESLIGAMENTO AUTOMÁTICO DA ASPIRAÇÃO

Na aspiração de líquidos, um flutuador no interior se eleva até ele alcançar uma vedação na entrada do motor e desligar a sucção. A seguir, o motor emite um som mais grave e a potência de aspiração é reduzida drasticamente. Neste caso, desligue o aspirador de pó imediatamente. Se não desligar o aparelho depois do flutuador alcançar a sua posição superior e a potência de aspiração se reduzir, o

motor será danificado gravemente. Antes de ligar o aparelho novamente, esvazie o tanque de água suja.

NOTA: Se o aspirador de pó capotar acidentalmente, a sua potência de aspiração poderá ser reduzida. Neste caso, desligue o aspirador de pó e levante-o novamente. Assim, o flutuador também volta para a sua posição normal.

ACUMULADOR

Acumuladores não utilizados durante algum tempo devem ser recarregados antes da sua utilização.

Temperaturas acima de 50°C reduzem a capacidade do bloco acumulador. Evitar exposição prolongada ao sol ou a caloríferos.

Manter limpos os contactos eléctricos no carregador e no bloco acumulador.

Para uma vida útil óptima das baterias, terá que carregá-las plenamente após a sua utilização.

Para assegurar uma vida útil longa, o pacote de bateria deve ser removido da carregadora depois do carregamento.

Se o pacote de bateria for armazenado por mais de 30 dias: Armazene o pacote de bateria com aprox. 27°C em um lugar seco.

Armazene o pacote de bateria com aprox. 30%-50% da carga completa.

Carregue o pacote de bateria novamente de 6 em 6 meses.

TRANSPORTE DE BATERIAS DE IÃO-LÍTIO

Baterias de ião-lítio estão sujeitas às disposições da legislação relativa às substâncias perigosas.

O transporte destas baterias deve ser efetuado de acordo com as disposições e os regulamentos locais, nacionais e internacionais.

- O utilizador pode efetuar o transporte rodoviário destas baterias sem restrições.
- O transporte comercial de baterias de ião-lítio por terceiros está sujeito aos regulamentos relativos às substâncias perigosas. A preparação do transporte e o transporte devem ser executados exclusivamente por pessoas instruídas e o processo deve ser acompanhado pelos especialistas correspondentes.

Observe o seguinte no transporte de baterias:

- Assegure-se de que os contactos terminais estejam protegidos e isolados para evitar um curto-circuito.
- Assegure-se de que o bloco da bateria esteja protegido contra movimentos na embalagem.
- Não transporte baterias danificadas ou que tenham fuga.

Para instruções mais detalhadas consulte a companhia de transportes

MANUTENÇÃO

Utilizar unicamente acessórios e peças sobressalentes da Milwaukee. Sempre que a substituição de um componente não tenha sido descrita nas instruções, será de toda a conveniência mandar executar esse trabalho a um Serviço de Assistência Milwaukee (veja o folheto Garantia/Endereços de Serviços de Assistência).

Se for necessário, um desenho de explosão do aparelho pode ser solicitado do seu posto de assistência ao cliente ou directamente da Techtronic Industries GmbH, Max-Eyth-Straße 10, 71364 Winnenden, Alemanha, indicando o tipo da máquina e o número de seis posições na chapa indicadora da potência.

SYMBOLS



ATENÇÃO! PERIGO!



Antes de efectuar qualquer intervenção na máquina retirar o bloco acumulador.



Leia atentamente o manual de instruções antes de colocar a máquina em funcionamento.



Classe de proteção elétrica III.



Aparelhos eléctricos, baterias/acumuladores não devem ser jogados no lixo doméstico. Os aparelhos eléctricos e as baterias devem ser colectados separadamente e entregues a uma empresa de reciclagem para a eliminação correcta. Solicite informações sobre empresas de reciclagem e postos de colecta de lixo das autoridades locais ou do seu vendedor autorizado.



Marca CE



Marca de conformidade nacional da Ucrânia



Marca de conformidade EurAsian.

Productienummer	4603 30 01...
	...00001-999999
Luchtstroom.....	1300 l/min
Onderdruk.....	80 mbar
Capaciteit.....	7,5 l
Filteroppervlak (Hepa).....	H13
Diameter afzuigslang.....	41 mm
Afzuigslang.....	475 mm
Spanning wisselakku.....	18 V
Totale afmetingen.....	31/21/43 cm
Gewicht volgens de EPTA-procedure 01/2003.....	4,59 kg
Gewicht volgens de EPTA-procedure 01/2003 (5,0 Ah).....	5,33 kg
Isolatieklasse.....	IP54
Aanbevolen omgevingstemperatuur tijdens het werken.....	-18...+50 °C
Aanbevolen accutypes.....	M18B2, M18B4, M18B5, M18B6, M18B9
Aanbevolen laadtoestellen.....	M12-18C, M12-18AC, M12-18FC, M1418C6

⚠ WAARSCHUWING! Lees alle veiligheidsinstructies en aanwijzingen. Als de waarschuwingen en voorschriften niet worden opgevolgd, kan dit een elektrische schok, brand of ernstig letsel tot gevolg hebben.

Bewaar alle waarschuwingen en voorschriften voor toekomstig gebruik.

⚠ VEILIGHEIDSADVIEZEN

Algemeen geldend mogen geen brandbare of explosieve oplosmiddelen, vloeistoffen, zoals benzine, olie, alcohol, verdunner zowel goederen (metaalsplinters, as) die warmer zijn dan 60°C opgezoegen worden. Er bestaat anders explosie- en brandgevaar.

De machine mag niet in de buurt van ontvlambare gassen en substanties gebruikt worden.

Machines inclusief toebehoren niet in gebruik nemen wanneer: machine zichtbare beschadigingen (scheuren/breuken) vertoont, aansluitkabel defect is, of scheurvorming resp. veroudering vertoont, verdenking van een onzichtbaar defect (na een val) bestaat.

Mondstuk, slang of buis niet op mensen of dieren richten.

Bij naar buiten komen van schuim of water onmiddellijk uitschakelen. Reservoir en evt. vouwfilter leegmaken.

Zuur, aceton en oplosmiddelen kunnen delen van de machine aantasten.

Bij oneigenlijk gebruik, ondeskundige bediening of onvakkundige reparatie, wordt geen aansprakelijkheid aanvaard voor eventuele schade.

Geen stoffen opzuigen die gevaarlijk zijn voor de gezondheid.

Niet geschikt voor het afzuigen van sterk schuimende vloeistoffen

Voor alle werkzaamheden aan de machine de akku verwijderen.

Verbruikte akku's niet in het vuur of bij het huisvuil werpen. Milwaukee biedt namelijk een milieuvriendelijke recyclingmethode voor uw oude akku's.

Wisselakku's niet bij metalen voorwerpen bewaren (kortsluitingsgevaar!).

Wisselakku's van het Akku-Systeem M18 alléén met laadapparaten van het Akku-Systeem M18 laden. Geen akku's van andere systemen laden.

Onder extreme belasting of extreme temperaturen kan uit de accu accu-vloeistof lopen. Na contact met accu-vloeistof direct afwassen met water en zeep. Bij oogcontact direct minstens 10 minuten grondig spoelen en onmiddellijk een arts raadplegen.

Waarschuwing! Voorkom brand, persoonlijk letsel of materiële schade door kortsluiting en dompel het gereedschap, de wisselaccu en het laadtoestel niet onder in vloeistoffen en waarborg dat geen vloeistoffen in de apparaten en accu's kunnen dringen. Corrosieve of

geleidende vloeistoffen zoals zout water, bepaalde chemicaliën, bleekmiddelen of producten die bleekmiddelen bevatten, kunnen een kortsluiting veroorzaken.

Dit apparaat mag niet door personen gereinigd of bediend worden die over verminderde lichamelijke, sensorische of geestelijke vermogens resp. gebrekkige ervaring of kennis beschikken, tenzij ze door een wettelijk voor hun veiligheid verantwoordelijke persoon werden geïnstrueerd in de veilige omgang met het apparaat. De hierboven genoemde personen mogen het apparaat alleen onder toezicht gebruiken. Dit apparaat hoort niet thuis in kinderhanden. Als het apparaat niet gebruikt wordt, moet het dan ook buiten de reikwijdte van kinderen worden bewaard.

Houd haar, losse kleding, vingers en andere delen van het lichaam buiten bereik van openingen en bewegende onderdelen. Plaats geen objecten in openingen en gebruik het apparaat niet als de openingen geblokkeerd zijn. Houd openingen vrij van stof, pluizen, haar en alles wat verder de luchtstroom kan hinderen.

Niet buiten gebruiken bij lage temperaturen.

Niet gebruiken voor het verzamelen van ontvlambare of ontbrandbare vloeistoffen als diesel, of op plekken waar deze vloeistoffen aanwezig kunnen zijn.

Verzamel geen materiaal dat brandt of rookt, zoals sigaretten, lucifers of hete as.

Wees extra voorzichtig met het schoonmaken op trappen.

Alleen gebruiken als filters geplaatst zijn.

Als het apparaat niet goed werkt of gevallen, beschadigd, buiten gelaten of in het water gevallen is, breng hem dan terug naar een servicecenter of een dealer.

Als schuim of vloeistof uit het apparaat ontsnapt, schakel dit dan onmiddellijk uit.

Het apparaat mag niet als waterpomp worden gebruikt. Het apparaat is bedoeld voor het opzuigen van lucht- en watermengsels.

Zorg voor een goed geventileerde werkplek.

Gebruik het apparaat niet als ladder of opstapje. Het apparaat kan omvallen en beschadigd raken. Gevaar of persoonletsel.

Gevaarlijke stoffen

Het opzuigen van gevaarlijke stoffen kan leiden tot ernstig persoonletsel of de dood.

De volgende stoffen mogen niet worden opgezogen met het apparaat:

- hete materialen (brandende sigaretten, hete as enz.)
- ontvlambare, explosieve, agressieve vloeistoffen (bijv. benzine, oplosmiddelen, zuren, basen enz.)
- ontvlambaar, explosief stof (bijv. magnesium of aluminiumstof enz.)

VOORGESCHREVEN GEBRUIK VAN HET SYSTEEM

Het apparaat is geschikt voor de volgende werkzaamheden: afzuigen van niet-toxische stoffen en niet-brandbare vloeistoffen, afzuigen van sop- en afvalwater, ontstoppen van afvoerleidingen, eindreiniging van bouw- en werkplaatsen etc.

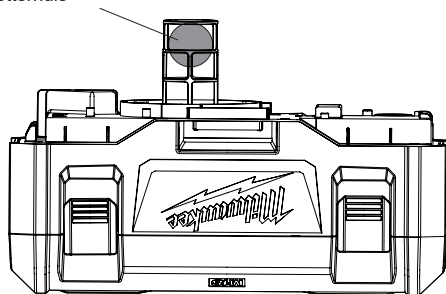
Dit apparaat uitsluitend gebruiken voor normaal gebruik, zoals aangegeven.

NATZUIGEN

Verwijder ALLE vuilresten uit de tank.

Verwijder de filter. Waarborg dat het vlotterhuis op zijn plaats blijft.

Vlotterhuis



Schakel de stofzuiger in en begin met zuigen.

Schakel het apparaat meteen uit als u klaar bent met het natzuigen of zodra de tank vol is.

OPMERKING: Schakel de stofzuiger onmiddellijk uit en leeg de tank, zodra het zuigvermogen afneemt.

Verwijder de wisselaccu.

Houd de slang verticaal, zodat de vloeistof in de slang nog naar de tank kan weglopen.

Verwijder de motorbehuizing en voer het vuilwater correct af.

Reinig de binnenkant van de tank en het toebehoren regelmatig, vooral na het opzuigen van nat en plakkerig materiaal. Gebruik een warm zeepsop voor de reiniging.

AUTOMATISCHE UITSCHAKELING VAN DE ZUIGKRACHT

Bij het opzuigen van vloeistoffen stijgt een interne vlotter steeds verder naar boven totdat hij een afdichting aan de ingang van de motor bereikt en de zuigkracht wordt uitgeschakeld. De motor draait vervolgens met een hoger geluid en het zuigvermogen neemt aanzienlijk af. Schakel de stofzuiger in dat geval onmiddellijk uit. Als u het apparaat niet uitschakelt nadat de vlotter de bovenste positie heeft

bereikt en het zuigvermogen afneemt, raakt de motor zwaar beschadigd. Leeg de vuilwatertank voordat u het apparaat opnieuw inschakelt.

OPMERKING: Als de stofzuiger kantelt, kan het zuigvermogen afnemen. Schakel de stofzuiger dan uit en zet hem weer rechtop. Daardoor keert ook de vlotter terug naar de normale positie.

AKKU

Langere tijd niet toegepaste wisselakku's vóór gebruik altijd naladen.

Een temperatuur boven de 50°C vermindert de capaciteit van de accu. Langdurige verwarming door zon of hitte vermijden.

De aansluitcontacten aan het laadapparaat en de accu schoonhouden.

Voor een optimale levensduur moeten de accu's na het gebruik volledig opgeladen worden.

Voor een zo lang mogelijke levensduur van de accu's dienen deze na het opladen uit het laadtoestel te worden verwijderd.

Bij een langere opslag van de accu dan 30 dagen:

accu bij ca. 27 °C droog bewaren.

accu bij ca. 30 % - 50 % van de laadtoestand bewaren.

accu om de 6 maanden opnieuw opladen.

TRANSPORT VAN LITHIUM-IONEN-ACCU'S

Lithium-ionen-accu's vallen onder de wettelijke bepalingen inzake het transport van gevaarlijke goederen.

Voor het transport van deze accu's moeten de lokale, nationale en internationale voorschriften en bepalingen in acht worden genomen.

- Verbruikers mogen deze accu's zonder meer over de weg transporteren.
- Het commerciële transport van lithium-ionen-accu's door expeditiebedrijven is onderhevig aan de bepalingen inzake het transport van gevaarlijke goederen. De verzendingsvoorbereidingen en het transport mogen uitsluitend worden uitgevoerd door dienovereenkomstig opgeleide personen. Het complete proces moet vakkundig worden begeleid.

Onderstaande punten moeten bij het transport van accu's in acht worden genomen:

- Waarborg ter vermindering van kortsluitingen dat de contacten beschermd en geïsoleerd zijn.
- Let op dat het accupack in de verpakking niet kan verschuiven.
- Beschadigde of lekkende accu's mogen niet worden getransporteerd.

Neem voor meer informatie contact op met uw expeditiebedrijf.

ONDERHOUD

Alleen Milwaukee toebehoren en onderdelen gebruiken. Onderdelen welke niet vermeld worden, kunnen het beste door de Milwaukee servicedienst verwisseld worden (zie Serviceadressen).

Zo nodig kan een explosietekening van het apparaat worden aangevraagd bij uw klantenservice of direct bij Techtronic Industries GmbH, Max-Eyth-Straße 10, 71364 Winnenden, Duitsland onder vermelding van het machinetype en het zescijferige nummer op het typeplaatje.

SYMBOLLEN



OPGELET! WAARSCHUWING! GEVAAR!



Voor alle werkzaamheden aan de machine de accu verwijderen.



Graag instructies zorgvuldig doorlezen vóórdat u de machine in gebruik neemt.



Elektrische beschermingsklasse III.



Elektrische apparaten, batterijen en accu's mogen niet via het huisafval worden afgevoerd. Elektrische apparaten en accu's moeten gescheiden worden verzameld en voor een milieuvriendelijke afvoer worden afgegeven bij een recyclingbedrijf. Informeer bij uw gemeente of bij uw vakhandelaar naar recyclingbedrijven en inzamelpunten.



CE-keurmerk



Nationaal symbool van overeenstemming Oekraïne



EurAsian-symbool van overeenstemming.

Produktionsnummer	4603 30 01...
	...000001-999999
Luftstrøm	1300 l/min
Vakuüm.....	80 mbar
Volumen.....	7,5 l
Filterflade (Hepa).....	H13
Sugeslangediameter.....	41 mm
Sugeslange.....	475 mm
Udskiftningsbatteriets spænding	18 V
Mål i alt	31/2/1/43 cm
Vægt svarer til EPTA-procedure 01/2003	4,59 kg
Vægt svarer til EPTA-procedure 01/2003 (5,0 Ah)	5,33 kg
Kapslingsklasse.....	IP54
Anbefalet temperatur under arbejdet.....	-18...+50 °C
Anbefalede batterityper	M18B2, M18B4, M18B5, M18B6, M18B9
Anbefalede opladere	M12-18C, M12-18AC, M12-18FC, M1418C6

⚠ ADVARSEL! Læs alle sikkerhedsinformationer og instruktioner. I tilfælde af manglende overholdelse af advarselshenvisningerne og instrukserne er der risiko for elektrisk stød, brand og/eller alvorlige kvæstelser. **Opbevar alle advarselshenvisninger og instrukser til senere brug.**

⚠ SIKKERHEDSHENVISNINGER

Der må generelt ikke opsuges brændbare eller eksplosive opløsningsmidler, væsker som benzin, olie, alkohol, fortyndingsmiddel og dele (metalspåner, aske) med en temperatur over 60 °C; ellers er der eksplosions- og brandfare!

Maskinen må ikke anvendes i nærheden af antændelige gasarter og substanser.

Maskinen samt tilbehør må ikke tages i drift, hvis maskinen har synlige skader (revner, brud), strømforsyningskablet er defekt eller danner revner eller viser tegn på ældede, der eksisterer mistanke om en defekt, der ikke umiddelbart kan ses (efter et fald).

Mundstykke, slange og rør må ikke rettes direkte på mennesker eller dyr.

I tilfælde af, at der slipper skum eller vand ud, skal værktøjet omgående frakobles. Beholderen skal tømmes, i givet fald også foldefilteret.

Syre, acetone og opløsningsmidler kan ætse værktøjsdelene.

I tilfælde af brug i modstrid med bestemmelserne, faglig ukorrekt betjening og faglig ukorrekte reparationer, bliver der ikke overtaget noget ansvar for eventuelle skader.

Brug ikke maskine til udsugning af sundhedsfarligt stov.

Ikke egnet til opsugning af stærkt skummende væsker.

Ved arbejde inden i maskinen, bør batteriet tages ud.

Opbrugte udskiftningsbatterier må ikke brændes eller kasseres sammen med alm. husholdningsaffald. Milwaukee har en miljørigtig bortskaffelse af gamle udskiftningsbatterier, henvend Dem til Deres forhandler.

Opbevar ikke udskiftningsbatterier sammen med metalgenstande af fare for kortslutning.

Brug kun M18 ladeapparater for opladning af System M18 batterier.

I tilfælde af en ekstrem belastning eller ekstrem temperatur kan der flyde batterivæske ud af et beskyddet batteri. Hvis De kommer i berøring med batterivæsken, skal den vaskes godt og grundigt af med vand og sæbe. I tilfælde af øjenkontakt, skal man mindst skylle øjnene godt og grundigt igennem i 10 minutter og omgående opøge en læge.

Advarsel! For at undgå risiko for brand, kvæstelser eller beskadigelse af produktet forårsaget af kortslutning må værktøjet, batteripakken eller opladeren ikke nedsænkes i vand. Sørg ligeledes for, at der ikke trænger væske ind i enhederne og batterierne. Korroderende eller ledende

væsker, f.eks. saltvand, bestemte kemikalier, blegestoffer eller produkter, som indeholder blegestoffer, kan forårsage kortslutning.

Dette apparat må ikke betjenes eller rengøres af personer, der har nedsatte fysiske, sensoriske eller mentale evner eller mangel på erfaring og viden, med mindre de har fået instruktion i sikker brug af apparatet af en person, som rent lovmæssigt er ansvarlig for deres sikkerhed. Ovennævnte personer skal være under opsyn, når de bruger apparatet. Børn må ikke have adgang til dette apparat. Hvis det ikke bruges, skal det derfor opbevares sikkert og utilgængeligt for børn.

Hold hår, løstsiddende tøj, fingre og andre kroppsdele på sikker afstand af åbninger og bevægelige dele. Lad være med at stikke genstande ind i åbninger eller at bruge apparatet med blokerede åbninger. Hold åbninger fri for støv, fnug, hår og andet, der kan reducere luftstrømmen.

Må ikke anvendes udendørs ved lave temperaturer.

Må ikke anvendes til opsugning af brandfarlige eller brændbare væsker som f.eks. benzin eller på

områder, hvor sådanne væsker forefindes.

Undgå at støvsuge rygende eller brændende materialer som f.eks. cigaretter, tændstikker eller varm aske.

Vær særlig forsigtig ved støvsugning på trapper.

Undlad at bruge apparatet uden filter.

Hvis maskinen ikke fungerer, som den skal, eller er blevet tabt, beskadiget, efterladt udendørs eller nedsænket i vand, skal den afleveres på et servicecenter eller returneres til forhandleren.

Hvis der løber skum eller væske ud af apparatet, skal det straks slukkes.

Maskinen må ikke anvendes som vandpumpe. Maskinen er beregnet til støvsugning af blandinger af luft og vand.

Sørg for god ventilation på arbejdsstedet.

Brug ikke apparatet som stige eller trappestige. Maskinen kan vælte og blive beskadiget. Fare for tilskadekomst.

Farlige materialer.

Støvsugning af farlige materialer kan føre til alvorlige eller dødelige ulykker. Følgende materialer må ikke opsamles med maskinen:

varme materialer (brændende cigaretter, varm aske, osv.)

- brandfarlige, eksplosive, aggressive væsker (f.eks. benzin, opløsningsmidler, syrer, alkalier osv.)

- brandfarligt, eksplosivt støv (f.eks. magnesium- eller aluminiumstøv, osv.)

TILTÆNKT FORMÅL

Maskinen er egnet til følgende arbejder, udsugning af ikke toksisk støv og ikke brændbare væsker, opsugning af rense- eller spillevand, frigsugning af tilstoppede afløb, sidste rengøring på selve stedet (byggeplads, arbejdsplads etc.).

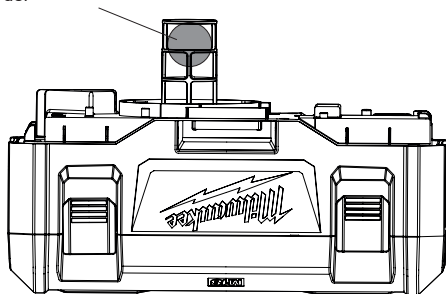
Produktet må ikke anvendes på anden måde og til andre formål end foreskrevet.

VÅDSTØVSUGNINGSFUNKTION

Fjern ALLE rester af snavs fra tanken.

Tag filteret ud. Sørg for, at flyderen bliver på sin plads.

Flyder



Tænd for støvsugeren og begynd at støvsuge.

Sluk for maskinen, når du er færdig med at våd støvsuge, eller hvis tanken er fuld.

HENVISNING: Hvis sugestyrken reduceres, slukkes omgående for støvsugeren og tanken tømmes.

Fjern det udskiftelige batteri.

Hold slangen lodret, så væsken i slangen kan løbe tilbage ned tanken.

Fjern kabinettet til motoren og bortskaf det beskidte vand på behørig vis.

Rengør det indvendige af tanken og sugetilbehøret med jævne mellemrum, især efter opsugning af vådt eller klistret materiale. Til rengøringen anvendes varmt sæbevand.

AUTOMATISK AFBRYDELSE AF STØVSUGNING

Når der støvsuges væsker op, stiger der i takt hermed en indvendig flyder op, indtil den når en tætning ved indgangen til motoren og sugestyrken slukkes. Motoren kører med en højere lyd og sugestyrken reduceres drastisk. I tilfælde heraf skal støvsugeren slukkes omgående. Hvis du ikke slukker for støvsugeren, efter at flyderen har nået sin øverste position og sugestyrken reduceres, sker der alvorlig skade på motoren. Tøm tanken med det beskidte vand, før du tænder for maskinen igen.

HENVISNING: Hvis støvsugeren vælter ved et uheld, kan sugeevnen blive forringet. Sluk i tilfælde heraf for støvsugeren og stil den op igen. Derved indtager flyderen også sin normale position igen.

BATTERI

Udskiftningsbat terier, der ikke har været brugt i længere tid, efterlades inden brug.

Ved temperaturer over 50°C formindskes batteriets effekt. Undgå direkte sollys og stærk varme.

Tilslutningskontaktene på oplader og udskiftningsbatterier skal holdes rene.

For at opnå en optimal levetid skal de genopladelige batterier oplades fuldt efter brug.

For at sikre en så lang levetid som muligt skal batterierne tages ud af ladeaggregatet efter opladning.

Skal batterierne opbevares længere end 30 dage:
Temperatur ca. 27°C i tørre omgivelser.
Opbevares ved ca. 30%-50% af ladetilstanden.
Batteri skal genoplades hver 6. måned.

TRANSPORT AF LITHIUM-BATTERIER

Lithium-batterier er omfattet af lovgivningen om transport af farligt gods.

Transporten af disse batterier skal ske under overholdelse af lokale, nationale og internationale regler og bestemmelser.

- Forbrugere må transportere disse batterier på veje uden yderligere krav.
- Den kommercielle transport af lithium-batterier ved speditorsfirmaer er omfattet af reglerne for transport af farligt gods. Forberedelsen af forsendelse og transport må kun udføres af tilsvarende trænedede personer. Den samlede proces skal følges af fagfolk.

Følgende punkter skal overholdes ved transport af batterier:

- Sørg for at kontakterne er beskyttet og isoleret for at forhindre kortslutninger.
- Sørg for at batteripakken ikke kan bevæge sig inden for emballagen.
- Beskadede eller lækkende batterier må ikke transporteres.

Kontakt dit speditorsfirma for at få yderligere oplysninger.

VEDLIGEHODELSE

Brug kun Milwaukee tilbehør og reservedele. Lad de komponenter, hvis udskiftning ikke er blevet beskrevet, udskifte hos Atlas Copco service (se kundeserviceadresser).

Hvis det er nødvendigt, kan der bestilles en sprængskitse af værktøjet. Angiv herved venligst maskintypen samt det sekscifrede nummer på mærkepladen og bestil tegningen hos din lokale kundeserviceafdeling eller direkte hos Techtronic Industries GmbH, Max-Eyth-Straße 10, 71364 Winnenden, Tyskland.

SYMBOLER



VIGTIGT! ADVARSEL! FARE!



Ved arbejde inden i maskinen, bør batteriet tages ud.



Læs brugsanvisningen nøje før ibrugtagning.



Elektrisk kapslingsklasse III.



Elektrisk udstyr eller (genopladelige) batterier må ikke bortskaffes sammen med det almindelige husholdningsaffald.

Elektrisk udstyr og genopladelige batterier skal indsamles særskilt og afleveres hos en genbrugsvirksomhed til en miljømæssig forsvarlig bortskaffelse.

Spørg de lokale myndigheder eller din forhandler om genbrugsstationer og indsamlingssteder til sådant affald.



CE-mærke



Nationalt overensstemmelsesmærke Ukraine



EurAsian overensstemmelsesmærke.

Produksjonsnummer.....	4603 30 01...
	...000001-999999
Luftstrøm	1300 l/min
Undertrykk	80 mbar
Kapasitet.....	7,5 l
Filterflate (Hepa).....	H13
Sugeslangediameter.....	41 mm
Sugeslange.....	475 mm
Spenning vekselbatteri	18 V
Totale mål.....	31/21/43 cm
Vekt i henhold til EPTA-Prosedyren 01/2003	4,59 kg
Vekt i henhold til EPTA-Prosedyren 01/2003 (5,0 Ah).....	5,33 kg
Verneklasse.....	IP54
Anbefalt omgivelsestemperatur under arbeid.....	-18...+50 °C
Anbefalte batterityper	M18B2, M18B4, M18B5, M18B6, M18B9
Anbefalte ladere	M12-18C, M12-18AC, M12-18FC, M1418C6

A OBS! Les alle sikkerhetsinstruksjer og bruksanvisninger. Feil ved overholdelsen av advarslene og nedenstående anvisninger kan medføre elektriske støt, brann og/eller alvorlige skader.
Ta godt vare på alle advarslene og informasjonene.

A SPESELLE SIKKERHETSHENVISNINGER

Generelt skal det ikke suges opp brennbare eller eksplosive løsemidler, væsker som bensin, olje, alkohol, tynner og ingen deler (metallspon, aske) som holder en temperatur over 60 °C; dette kan føre til eksplosjons- og brannfare!

Sugeren må ikke komme i nærheten av lettantennelige gasser og stoffer.

Suger og tilbehør må ikke tas i bruk dersom: Sugeren har tydelige skader (sprekker/brudd), nettleddingen er defekt eller har riftdannelse eller svakheter på grunn av aldring, det foreligger mistanke om ikke-synlig defekt (etter et fall).

Ikke rett munnstykke, slange eller rør mot mennesker eller dyr.

Hvis det trenger ut skum eller vann må sugeren straks koples ut. Tøm beholder og evt. foldefilter umiddelbart.

Syre, aceton og løsemiddel kan forårsake etseskader på deler av sugeren.

Ved uhensiktsmessig bruk, ukyndig betjening eller reparasjon bortfaller alle garantikrav ved eventuelle skader.

Må ikke brukes til oppsuging av helsefarlig støv.

Ikke egnet til oppsuging av sterkt skummende væske.

Ta ut vekselbatteriet før du arbeider på maskinen

Ikke kast brukte vekselbatterier i varmen eller husholdningsavfallet. Milwaukee tilbyr en miljøriktig deponering av gamle vekselbatterier; vennligst spør din fagforhandler.

Ikke oppbevar vekselbatterier sammen med metallgjenstander (kortslutningsfare).

Vekselbatterier av systemet M18 skal kun lades med lader av systemet M18. Ikke lad opp batterier fra andre systemer.

Under ekstreme belastninger og ekstreme temperaturer kan det løkke ut batterivæske fra utskiftbare batterier. Ved berøring med batterivæske, vask umiddelbart med såpe og vann. Ved kontakt med øynene må øynene skylles grundig i rennende vann i minst 10 minutter. Oppsøk lege umiddelbart.

Advarsel! For å unngå fare for en brann forårsaket av en kortslutning, av personskafer eller skader av produktet, må det forhindres at batteripakken eller laderen dypes i væsker og også sørges for at ingen væsker kan komme inn i apparatene eller batteriene. Korroderende og ledende væsker som saltvann, visse kjemikalier og blekemidler eller produkt som inneholder blekemidler kan forårsake en kortslutning.

Dette apparatet skal ikke betjenes eller rengjøres av personer som har innskrenket kroppslige, sensoriske eller psykiske evner, hhv. som har manglende erfaring eller kunnskap, dersom de ikke har blitt instruert om sikker omgang av apparatet av en person som er juridisk ansvarlig for deres sikkerhet. Ovenfor nevnte personer skal overvåkes ved bruk av apparatet. Barn skal hverken bruke, rengjøre eller leke seg med dette apparatet. Derfor skal det når det ikke brukes oppbevares på en sikker plass utenfor barns rekkevidde.

Hold hår, løstsittende klær, fingre og alle kroppsdeler unna åpningene og bevegelige deler. Ikke plasser gjenstander i åpninger eller bruk støvsugeren med åpningene blokkert. Hold åpningene fri for støv, lo, hår og alt annet som kan redusere luftstrømmen.

Må ikke brukes utendørs ved lave temperaturer.

Må ikke brukes til å ta opp brennbare eller brannfarlige

væsker som bensin, eller brukes i områder der slikt kan være tilstede. Ikke ta opp noe som brenner eller som avgir røyk, som sigaretter, fyrstikker eller varm aske.

Vær ekstra forsiktig når du rengjør trapper.

Må ikke brukes hvis filtrene ikke er montert.

Hvis maskinen ikke fungerer korrekt eller har falt ned, blitt skadet, etterlatt utendørs eller har falt ned i vann må den leveres inn til et serviceverksted eller forhandleren.

Hvis det kommer skum eller væske ut av maskinen må du slå den av med en gang.

Maskinen må ikke brukes som vannpumpe. Maskinen er konstruert for å ta opp luft- og vannblandinger.

Sikre god ventilasjon på arbeidsstedet.

Ikke bruk maskinen som stige eller gardintrapp. Maskinen kan velte og bli skadet. Fare for personskade.

Farlige materialer.

Oppsugning av farlige materialer kan føre til alvorlige og til og med livstruende skader.

Følgende materialer skal ikke samles opp med maskinen:

- varme materialer (brennende sigaretter, varm aske, osv.)
- brennbare, eksplosive eller aggressive væsker (det vil si bensin, løsemidler, syrer, alkalier, osv.)

- brennbar, eksplosiv støv (det vil si magnesium- eller aluminiumstøv, osv.)

FORMÅLSMESSIG BRUK

Maskinen er egnet til følgende arbeid: Oppsugning av ikke-giftig støv og ikke-brennbare væsker, oppsugning av vaskevann eller lettere tilsmusset vann, frising av tilstoppede avløp, sluttrensjøring på stedet (byggeplass, arbeidsplass osv.)

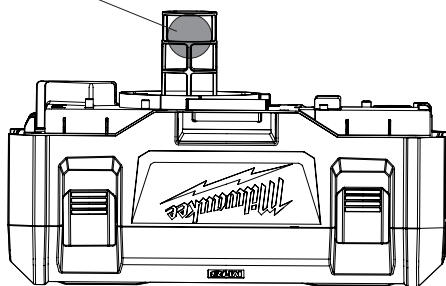
Dette apparatet må kun brukes til de oppgitte formål.

VÅTSUGINGSMODUS

Fjern ALLE rester av smuss fra tanken.

Ta ut filteret. Forviss deg om at flottørhuset blir værende der det befinner seg.

Flottørhus



Slå på støvsugeren og begynn støvsugingen.

Slå apparatet av øyeblikkelig etter at avsugingen er ferdig eller når tanken er full.

MERK: Når sugeeffekten blir svakere, må støvsugeren slås av øyeblikkelig, og tanken må tømmes.

Fjern det oppladbare batteriet.

Hold slangen loddrett slik at væsken som befinner seg i tanken kan renne ut.

Fjern motorkassen og sørg for forskriftsmessig behandling av spillvannet.

Rengjør tanken innvendig samt sugetilbehøret regelmessig, spesielt etter at det har vært suget opp våte eller klebrige stoffer. Bruk varmt såpevann til rengjøring.

AUTOMATISK UTKOBLING AV SUGEFUNKSJONEN

Når det suges opp væsker, stiger flottøren som ligger innvendig stadig høyere oppover, inntil den når en tetning ved motorinngangen. Da slås sugekraften av. Motoren går da med en høyere tone, og sugeeffekten reduseres drastisk. Når dette skjer, må du slå av støvsugeren øyeblikkelig. Dersom du ikke slår av støvsugeren etter at flottøren har nådd sin øverste posisjon og sugekraften blir svakere, vil dette føre til at motoren blir sterkt skadet. Tøm spillvannet før du slår støvsugeren på igjen.

MERK: Dersom støvsugeren skulle velte i vanvare, kan den tape sugeeffekt. I dette tilfellet må du slå av støvsugeren og stille den opp igjen. Dette fører til at flottøren kommer tilbake til sin normale posisjon.

BATTERIER

Vekselbatterier som ikke er brukt over lengre tid skal etterlades før bruk.

En temperatur over 50°C reduserer vekselbatteriets kapasitet. Unngå oppvarming i sol eller ved varmeovner (fyring) i lengre tid.

Hold tilkoplingskontaktene på lader og vekselbatteri rene.

For optimal holdbarhet må batteriene lades opp helt etter bruk.

For å sikre en lengst mulig brukstid av batteriene skal disse etter oppladning taes ut av laderen.

Ved lagring av batteriene lengre enn 30 dager:

Lagre batteriet tørt ved ca. 27°C.

Lagre batteriet ved en oppladningstilstand på ca. 30%-50%.

Lade opp batteriet igjen etter 6 måneder.

TRANSPORT AV LITIUM-ION-BATTERI

Litium-ion-batterier faller under de lovfestede forskriftene om transport av farlig gods.

Transporten av disse batteriene må rette seg etter lokale, nasjonale og internasjonale forskrifter og bestemmelser.

- Forbruker har lov å transportere disse batteriene på gaten uten reglementering.
- Den kommersielle transport av Litium-ion-batterier av spedisjonsfirma faller under bestemmelsene om transport av farlig gods. Forberedningene av forsendelsen og transport skal utelukkende gjennomføres av personer som har blitt skolert til dette. Hele prosessen skal følges opp av fagfolk.

Følgende punkter skal tas hensyn til ved transport:

- Kontroller at kontaktene er beskyttet og isolert for å unngå kortslutninger.
- Pass på at batteripakken i forpakningen ikke kan skli fram og tilbake.
- Skadede eller batterier som lekker er det ikke lov å transportere.

Ta kontakt med spedisjonsfirma for ytterlige henvisninger.

VEDLIKEHOLD

Bruk kun Milwaukee tilbehør og reservedeler. Komponenter der utskifting ikke er beskrevet skal skiftes ut hos Milwaukee kundeservice (se brosjyre garanti/ kundeserviceadresser).

Ved behov kan det fås en eksplosjonstegning av apparatet hos kundeservice eller direkte hos Techtronic Industries GmbH, Max-Eyth-Straße 10, 71364 Winnenden, Germany ved angivelse av maskinens type og det sekstallige nummeret på maskinens skilt.

SYMBOLER



OBS! ADVARSEL! FARE!



Ta ut vekselbatteriet før du arbeider på maskinen



Les nøye gjennom bruksanvisningen før maskinen tas i bruk.



Elektrisk verneklasse III.



Elektriske apparater, batterier/oppladbare batterier skal ikke kastes sammen med vanlig husholdningsavfall.

Elektriske og elektroniske apparater og oppladbare batterier skal samles separat og leveres til miljøvennlig deponering hos en avfallsbedrift.

Informér deg hos myndighetene på stedet eller hos din fagforhandler hvor det finnes recycling bedrifter og oppsamlingssteder.



CE-tegn



Nasjonalt Konformitetstegn Ukraina



EurAsian Konformitetstegn.

Produktionsnummer	4603 30 01...
	...000001-999999
Luftflöde	1300 l/min
Undertryck	80 mbar
Volym	7,5 l
Filteryta (Hepa)	H13
Sugslangens diameter	41 mm
Sugslangens	475 mm
Batterispänning	18 V
Totalmått	31/21/43 cm
Vikt enligt EPTA 01/2003	4,59 kg
Vikt enligt EPTA 01/2003 (5,0 Ah)	5,33 kg
Kapsling	IP54
Rekommenderad omgivningstemperatur vid arbete	-18...+50 °C
Rekommenderade batterityper	M18B2, M18B4, M18B5, M18B6, M18B9
Rekommenderade laddare	M12-18C, M12-18AC, M12-18FC, M1418C6

⚠ VARNING! Läs all säkerhetsinformation och alla anvisningar. Fel som uppstår till följd av att anvisningarna nedan inte följts kan orsaka elstöt, brand och/eller allvarliga kroppsskador.
Förvara alla varningar och anvisningar för framtida bruk.

⚠ SÄKERHETSUTRUSTNING

Generellt är det inte tillåtet att suga upp brännbara eller explosiva lösningsmedel och vätskor som bensin, olja, alkohol, förtunning, ej heller delar (metallspån, aska) med temperatur över 60 °C, eftersom det finns risk för explosion eller brand.

Maskinen får inte användas i närheten av brännbara gaser eller vätskor.

Använd inte maskinen eller dess tillbehör om maskinen uppvisar synliga skador (sprickor/brott), nätkabeln är trasig, sprucken eller har reparerats, maskinen kan ha skador som inte syns (om den t.ex. har fallit eller tappats).

Rikta inte slang, munstycke eller rör mot människor eller djur.

Stäng genast av maskinen om den läcker ut skum eller vatten. Töm behållaren och eventuellt det veckade filtret.

Syror, aceton och lösningsmedel kan fräta på maskinens delar.

Vi tar inget ansvar för skador som uppkommer på grund av att maskinen har demonterats, använts eller reparerats på ett icke fackmässigt sätt.

Använd inte för uppsugning av hälsofarligt damm.

Använd inte för starkt skummande vätskor..

Drag ur batteripaket innan arbete utföres på maskinen.

Kasta inte förbrukade batterier. Lämna dem till Milwaukee Tools för återvinning.

Förvara ej batteriet ihop med metallföremål, kortslutning kan uppstå.

System M18 batterier laddas endast i System M18 laddare. Ladda inte batterier från andra system.

Under extrem belastning eller extrem temperatur kan batterivätska tränga ut ur skadade utbytesbatterier. Vid beröring med batterivätska tvätta genast av med vatten och tvål. Vid ögonkontakt spola genast i minst 10 minuter och kontakta genast läkare.

Varning! För att undvika den fara för brand, personskador eller produktskador som orsakas av en kortslutning, doppa inte ner verktyget, utbytesbatteriet eller laddaren i vätskor och se till att ingen vätska kan tränga in i apparaterna eller batterierna. Korroderande eller ledande vätskor, som saltvatten, vissa kemikalier, blekningsmedel eller produkter som innehåller blekmedel, kan orsaka en kortslutning.

Denna produkt får inte användas och rengöras av personer med nedsatt fysisk eller mental förmåga eller personer med bristande erfarenhet eller kunskap, förutsatt att de inte har instruerats om hur produkten ska hanteras på ett säkert sätt av en person som enligt lag är ansvarig för deras säkerhet. Ovan nämnda personer ska stå under uppsikt när de använder produkten. Produkten ska förvaras oåtkomligt för barn. När produkten inte används ska den därför förvaras säkert och utom räckhåll för barn.

Hår, löst sittande kläder, fingrar och alla andra kroppsdelar ska hållas borta från öppningar och rörliga delar. Stick inte in föremål i öppningarna, maskinen får inte användas om öppningarna är igensatta. Maskinens öppnar ska hållas rena från damm, ludd, hår och annat som kan hindra luftflödet.

Maskinen får inte användas utomhus när det är kallt.

Maskinen får inte användas för upptagning av eldfarliga eller brännbara vätskor, som t.ex.

bensin, den får inte heller användas där dessa vätskor kan förekomma.

Använd inte maskinen för att ta upp brinnande eller rykande föremål, som t.ex. cigaretter, tändstickor eller het aska.

Var extra uppmärksam vid rengöring av trappor.

Får ej användas utan monterade filter.

Om maskinen inte fungerar på korrekt sätt eller om den tappats, skadats, lämnats utomhus eller fallit i vatten ska den omgående lämnas in för service.

Stäng genast av maskinen om det tränger ut skum eller vätska från den.

Maskinen får inte användas som vattenpump. Maskinen är avsedd för uppsugning av luft och vätskeblandningar.

Se till att arbetsplatsen är väl ventilerad.

Använd aldrig maskinen som stege eller arbetsplattform. Maskinen kan välta och skadas. Risk för skador.

Farliga material

Uppsugning av farliga material kan orsaka allvarliga personskador eller i värsta fall dödsolyckor.

Följande material får inte sugas upp med maskinen:

- hett material (t.ex. brinnande cigaretter, het aska etc.)
- brandfarliga, explosiva, frätande vätskor (t.ex. bensin, lösningsmedel, syror, alkaliska lösningar, etc.)

- brandfarligt, explosivt damm (t.ex. magnesium- eller aluminiumdamm etc.)

ANVÄND MASKINEN ENLIGT ANVISNINGARNA

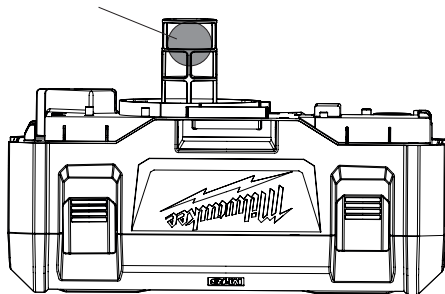
Apparaten är ämnad för följande arbeten: uppsugning av giftfritt damm och icke brännbara vätskor, uppsugning av slip- eller smutsvatten, rensning av förstoppade avlopp, slutrengöring på plats (byggställe, arbetsplats etc).

Maskinen får endast användas för angiven tillämpning.

VÄTDAMMSUGNING

Avlägsna ALLA smutsrester från tanken.

Ta ur filtret. Säkerställ att flottörhuset sitter kvar på rätt plats. Flottörhus



Starta dammsugaren och påbörja dammsugningen.

Stäng av dammsugaren direkt efter vätdammsugningen resp. när tanken är full.

Obs: Om uppsugningseffekten försämras, stäng omedelbart av dammsugaren och töm tanken.

Ta bort utbytesbatteriet.

Håll slangen vertikalt så att vätskan i slangen kan rinna ner i tanken.

Ta bort motorhuset och avfallshantera smutsvattnet på rätt sätt.

Rengör tankens inre och sugtillbehören regelbundet, framförallt efter uppsugning av vått eller klabbigt material. Använd varmt tvålsvatten för rengöring.

AUTOMATISK AVSTÄNGNING AV UPPSUGNINGEN

Vid uppsugning av vätskor stiger en inbyggd flottör hela tiden uppåt tills den når en tätning vid motoringången och sugkraften stängs av. Motorn går då med en högre ton och uppsugningseffekten reduceras drastiskt. Stäng i så fall omedelbart av dammsugaren. Om du inte stänger av dammsugaren när flottören har nått den övre positionen och sugkraften minskar, kommer motorn att skadas allvarigt. Töm smutsvattentanken innan dammsugaren startas på nytt.

Obs: Om dammsugaren skulle tippa förlorar den sugeffekt. Stäng i så val av dammsugaren och rätta upp den igen. På så sätt återgår flottören till sin normala position.

BATTERIER

Batteri som ej använts på länge måste laddas före nytt bruk.

En temperatur över 50°C reducerar batteriets effekt. Undvik längre uppvärmning tex i solen eller nära ett element.

Se till att anslutningskontaktarna i laddaren och på batteriet är rena.

För att batterierna ska få lång livslängd ska de laddas fulla efter användning.

För att få en så lång livslängd som möjligt bör laddningsbara batterier avlägsnas från laddaren när de är laddade.

Om laddningsbara batterier lagras längre än 30 dagar:

Lagra batteriet torrt och vid ca 27°C.

Lagra batteriet vid ca 30%-50% av laddningskapaciteten.

Ladda batterierna på nytt var 6:e månad.

TRANSPORTERA LITIUMJON-BATTERIER

För litiumjon-batterier gäller de lagliga föreskrifterna för transport av farligt gods på väg.

Därför får dessa batterier endast transporteras enligt gällande lokala, nationella och internationella föreskrifter och bestämmelser.

- Konsumenter får transportera dessa batterier på allmän väg utan att behöva beakta särskilda föreskrifter.
- För kommersiell transport av litiumjon-batterier genom en speditiönsfirma gäller emellertid bestämmelserna för transport av farligt gods på väg. Endast personal som känner till alla tillämpliga föreskrifter och bestämmelser får förbereda och genomföra transporten. Hela processen ska följas upp på fackmässigt sätt.

Följande ska beaktas i samband med transporten av batterier:

- Säkerställ att alla kontakter är skyddade och isolerade för att undvika kortslutning.
- Se till att batteripacken inte kan glida fram och tillbaka i förpackningen.
- Transportera aldrig batterier som läcker, har runnit ut eller är skadade.

För mer information vänligen kontakta din speditiönsfirma.

SKÖTSEL

Använd endast Milwaukee tillbehör och reservdelar. Reservdelar vars utbyte ej beskrivs byts bäst av Milwaukee auktoriserad serviceverkstad (se broschyr Garanti/Kundtjänstadresser).

Vid behov kan du rekvidera apparatens sprängskiss antingen hos kundservicen eller direkt hos Techtronic Industries GmbH, Max-Eyth-Straße 10, 71364 Winnenden, Germany. Du ska då ange maskintypen och numret på sex siffror som står på effektskytten.

SYMBOLER



OBSERVERA! VARNING! FARA!



Drag ur batteripaket innan arbete utföres på maskinen.



Läs instruktionen noga innan du startar maskinen.



Elektrisk skyddsklass III.



Elektriska maskiner, batterier/uppladdningsbara batterier och får inte slängas tillsammans med de vanliga hushållssoporna. Elektriska maskiner och uppladdningsbara batterier ska samlas separat och lämnas till en avfallsstation för miljövänlig avfallshantering. Kontakta den lokala myndigheten respektive kommunen eller fråga återförsäljare var det finns speciella avfallsstationer för elskrot.



CE-symbol



Nationell symbol för överensstämmelse Ukraine



EurAsian överensstämmelsesymbol.

Tuotantonumero	4603 30 01...
	...000001-999999
Ilmavirtaus	1300 l/min
Alipaine	80 mbar
Tilavuus	7,5 l
Suodatinpinta (Hepa).....	H13
Imuletkun halkaisija	41 mm
Imuletkun	475 mm
Jännite vaihtoakku	18 V
Kokonaismitat	31/21/43 cm
Paino EPTA-menettelyn 01/2003 mukaan	4,59 kg
Paino EPTA-menettelyn 01/2003 mukaan (5,0 Ah).....	5,33 kg
Suojaluokka	IP54
Suosittelun ympäristön lämpötila työn aikana	-18...+50 °C
Suosittelut akkutyypit	M18B2, M18B4, M18B5, M18B6, M18B9
Suosittelut latauslaitteet.....	M12-18C, M12-18AC, M12-18FC, M1418C6

A VAROITUS! Lue kaikki turvallisuusmääräykset ja ohjeet. Turvallisuusohjeiden noudattamisen laiminlyönti saattaa johtaa sähköiskuun, tulipaloon ja/tai vakavaan loukkaantumiseen.

Säilytä kaikki turvallisuus- ja muut ohjeet tulevaisuutta varten.

A TURVALLISUUSOHJEET

Yleensä laitteella ei saa imuroida palavia tai räjähtäviä liuotusaineita eikä nesteitä, kuten bensiini, öljy, alkoholi, ohennusaine, eikä muitakaan esineitä (metallilastuja, tuhkaa), joiden lämpötila nousee yli 60o C; muuten on olemassa räjähdys- ja palovaara!

Laitetta ei saa käyttää syttyvien kaasujen tai aineiden läheisyydessä.

Älä ota käyttöön laitetta lisätarvikkeineen jos: laite on havaittavasti vahingoittunut (repeämiä, murtumia), liitäntäjohto on viallinen, tai siinä on havaittavissa repeämiä tai vanhenemista, jokin näkyvän vika on epäiltävissä (esimerkiksi putoamisen jälkeen).

Älä suuntaa suulaketta, letkua tai putkea ihmisiä tai eläimiä kohti.

Sulje laite välittömästi, jos siitä tulee vaahtoa tai vettä. Tyhjennä säiliö ja tarvittaessa myös poimusuodatin.

Hapot, asetonit ja liuottimet voivat syövyttää laitteen osia.

Jos poiketaan laitteen käyttötarkoituksista, käytetään sitä epäasiallisesti tai sitä korjataan ammattitaidottomasti, emme vastaa mahdollisista vahingoista.

Imuria ei saa käyttää terveydelle vaarallisten pölyjen imuroimiseen.

Ei sovellu voimakkaasti vaahtoavien nesteiden imuroimiseen.

Ota akku pois ennen kaikkia koneeseen tehtäviä toimenpiteitä.

Käytettyjä vaihtoakkuja ei saa polttaa eikä poistaa normaalin jätehuollon kautta. Milvaukeella on tarjolla vanhoja vaihtoakkuja varten ympäristöstävällinen jätehuoltopalvelu.

Vaihtoakkuja ei saa säilyttää yhdessä metalliesineiden kanssa (oikosulkuvaara).

Käytä ainoastaan System M18 latauslaitetta System M18 akkujen lataukseen. Älä käytä muiden järjestelmien akkuja.

Vaurioituneesta akusta saattaa erityisen kovassa käytössä tai poikkeavassa lämpötilassa vuotaa akkuhappoa. Ihonkohta, joka on joutunut kosketukseen akkuhapon kanssa on viipymättä pestävä vedellä ja saippualla. Silmää, johon on joutunut akkuhappoa, on huuhdeltava vedellä vähintään 10 minuutin ajan, jonka jälkeen on viipymättä hakeuduttava lääkärin apuun.

Varoitus! Jotta vältetään lyhytsulun aiheuttama tulipalon, loukkaantumisen tai tuotteen vahingoittumisen vaara, älä koskaan upota työkalua, vaihtoakkuja tai latauslaitetta nesteeseen ja huolehdi siitä, ettei mitään nesteitä pääse

tunkeutumaan laitteiden tai akkujen sisään. Syövyttävät tai sähköä johtavat nesteet, kuten suolavesi, tietyt kemikaalit ja liukaisuuksineet tai valkaisuaineita sisältävät tuotteet voivat aiheuttaa lyhytsulun.

Tätä laitetta eivät saa käyttää tai puhdistaa sellaiset henkilöt, joiden ruumiilliset, aistiperäiset tai henkiset kyvyt ovat rajoittuneet tai joilla ei ole tähän tarvittavaa kokemusta tai tietämystä, paitsi jos heidän turvallisuudestaan laillisesti vastuullinen henkilö on opastanut heitä laitteen turvallisessa käsittelyssä. Yllämainittuja henkilöitä tulee valvoa heidän käyttäessään laitetta. Tämä laite ei saa joutua lasten käsiin. Siksi sitä tulee säilyttää tuvallisessa paikassa poissa lasten ulottuvilta, kun sitä ei käytetä.

Pidä sormet, hiukset, löysät vaatteet ja kaikki kehon osat kaukana aukoista ja liikkuvista osista. Aukkoihin ei saa työntää mitään. Laitetta ei saa käyttää, jos jokin sen aukoista on tukossa. Pidä aukot puhtaana pölystä, nukasta ja karvoista ja kaikesta ilman virtausta haittaavasta.

Laitetta ei saa käyttää ulkona kylmässä.

Laitteella ei saa imuroida syttyviä nesteitä, kuten bensiiniä. Laitetta ei saa käyttää tällaisten nesteiden lähellä.

Laitteella ei saa imuroida mitään savuavaa tai palavaa, kuten savukkeiden natsoja, tulitikkuja tai kuumaa tuhkaa.

Ole erityisen varovainen imuroidessasi portaita.

Älä käytä laitetta, jos suodattimet eivät ole paikallaan.

Jos laitteessa on toimintahäiriö, jos se on pudonnut tai vahingoittunut, jos se on jätetty ulos tai jos se on pudonnut veteen, toimita se huoltoon huoltokorjaamolle tai jälleenmyyjälle.

Jos laitteesta vuotaa vaahtoa tai nestettä, katkaise virta heti.

Laitetta ei saa käyttää vesipumppuna. Laite on suunniteltu ilman ja veden seosten imurointiin.

Työskentelypaikassa on oltava hyvä ilmanvaihto.

Laitteen päällä ei saa seisoa. Tällöin laite voi kaatua ja vaurioitua. Tapaturman vaara.

Vaaralliset aineet

Vaarallisten aineiden imuroiminen voi aiheuttaa vakavia vammoja tai hengenvaaran.

Koneella ei saa imuroida seuraavia aineita:

- Kuumat aineet, kuten palavat savukkeet tai kuuma tuhka

- Syttyvät, räjähtävät tai syövyttävät nesteet, kuten bensiini, liuottimet, hapot tai emäkset

- Syttyvä tai räjähtävä pöly, kuten magnesium- tai alumiinipöly

TARKOITUKSEN MUKAINEN KÄYTTÖ

Pölynimuri soveltuu ei myrkyllisten pölyjen ja ei tulenarjojen nesteiden ja mutaisen veden imemiseen, viemäriputkien avaamiseen ja työpaikkojen (rakennustyömaiden) siivoamiseen ym.

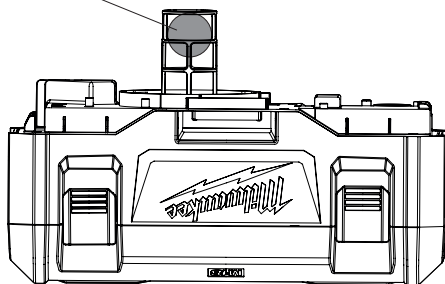
Älä käytä tuotetta ohjeiden vastaisesti.

MÄRKÄIMUKÄYTTÖ

Poista KAIKKI lianäjätteet säiliöstä.

Ota suodatin pois. Varmista, että uimurin kotelo pysyy paikallaan.

Uimurin kotelo



Käynnistä imuri ja aloita imu.

Sammuta laite heti märkäimun jälkeen tai kun säiliö on täynnä.

VIITE: Kun imuteho heikkenee, sammuta imuri heti ja tyhjennä säiliö.

Ota vaihtoakku pois.

Pidä letkua pystysuorassa, niin että siinä oleva neste voi valua säiliöön.

Ota moottorikotelo pois ja hävitä likavesi asianmukaisesti.

Puhdista säiliön sisäpuoli ja imutarvikkeet säännöllisin väliajoin, erityisesti märän tai tarttuvan materiaalin imemisen jälkeen. Käytä puhdistamiseen lämmintä saippuavettä.

AUTOMAATTINEN IMUNSAMMUTUS

Nesteitä imettäessä sisäpuolella oleva uimuri nousee yhä ylempään, kunnes se saavuttaa moottorin sisääntulossa olevan tiivisteen ja imuteho sammutetaan. Moottori käy sitten korkeammalla äänellä ja imuteho alenee jyrkästi. Sammuta imuri tässä tapauksessa heti. Jos et sammuta laitetta, kun uimuri on noussut ylimpään asentoon ja imuteho heikkenee, niin moottori vaurioituu pahoin. Tyhjennä likavesisäiliö ennen laitteen uudelleenkäynnistämistä.

VIITE: Mikäli imuri kaatuu epähuomioissa kumoon, niin imuteho saattaa heiketä. Jos näin käy, sammuta imuri ja nosta se jälleen pystyasentoon. Silloin myös uimuri palaa normaaliin asentoonsa.

AKKU

Pitkään käyttämättä olleet vaihtoakut on ladattava ennen käyttöä.

Yli 50°C lämpötilassa akun suorituskyky heikkenee. Vältä tähän akkujen säilyttämistä auringossa tai kuumissa tiloissa.

Pidä aina latauslaitteen ja akun kosketinpinnat puhtaina. Optimaalisen käyttöiän saavuttamiseksi akut on ladattava täyteen käytön jälkeen.

Mahdollisimman pitkän elinajan takaamiseksi akut tulee poistaa laturista lataamisen jälkeen.

Akkuja yli 30 päivää säilytettäessä:
Säilytä akku yli 27 °C:ssa ja kuivassa.
Säilytä akku sen latauksen ollessa 30 % - 50 %.
Lataa akku 6 kuukauden välein uudelleen.

LITIUMI-IONIAKKUVEN KULJETTAMINEN

Litiumi-ioniakut kuuluvat vaarallisten aineiden kuljetuksesta annettujen lakien piiriin.

Näiden akkujen kuljettaminen täytyy suorittaa noudattaen paikallisia, kansallisia ja kansainvälisiä määräyksiä ja säädöksiä.

- Kuluttajat saavat ilman muuta kuljettaa näitä akkuja teitä pitkin.
- Kaupallisessa kuljetuksessa huolintaliikkeiden täytyy kuljettaa litiumi-ioniakkuja vaarallisten aineiden kuljetuksesta annettujen määräysten mukaisesti. Ainoastaan tähän vastaavasti koulutetut henkilöt saavat suorittaa kuljetuksen valmistelutoimet ja itse kuljetuksen. Koko prosessia tulee valvoa asiantuntevasti.

Seuraavat kohdat tulee huomioida akkuja kuljetettaessa:

- Varmista, että akkujen kontaktit on suojattu ja eristetty, jotta vältetään lyhytsulut.
- Huolehdi siitä, ettei akkuserja voi luiskahtaa paikaltaan pakkauksen sisällä.
- Vahingoittuneita tai vuotavia akkuja ei saa kuljettaa.

Pyydä tarkemmat tiedot huolintaliikkeeltäsi.

HUOLTO

Käytä vain Milwaukee:n lisälaitteita ja varaosia. Käytä ammattitaitoisten Milwaukee-huoltosopimusliikkeiden palveluja muiden kuin käyttöohjeessa kuvattujen osien vaihdossa. (esite takuu/huoltoliikeluettelo).

Tarvittaessa voit pyytää laitteen räjähdyspiirustuksen ilmoittaen konetyypin ja tyyppikilvessä olevan kuusinumeroisen luvun huoltopalvelustasi tai suoraan osoitteella Techtronic Industries GmbH, Max-Eyth-Strasse 10, 71364 Winnenden, Saksa.

SYMBOLIT



HUOMIO! VAROITUS! VAARA!



Ota akku pois ennen kaikkia koneeseen tehtäviä toimenpiteitä.



Lue käyttöohjeet huolellisesti, ennen koneen käynnistämistä.



Sähköinen suojausluokka III.



Sähkölaitteita, paristoja/akkuja ei saa hävittää yhdessä kotitalousjätteiden kanssa. Sähkölaitteet ja akut tulee kerätä erikseen ja toimittaa kierrätysliikkeeseen ympäristöystävällistä hävittämistä varten. Pyydä paikallisilta viranomaisilta tai alan kauppiailta tarkemmat tiedot kierrätyspisteistä ja keräyspaikoista.



CE-merkki



Kansallinen standardinmukaisuusmerkki Ukraina



EurAsian-vaatimustenmukaisuusmerkki.

Αριθμός παραγωγής.....	4603 30 01...
	...000001-999999
Ρεύμα αέρος.....	1300 l/min
Υποπίεση.....	...80 mbar
Χωρητικότητα.....	7,5 l
Επιφάνεια φίλτρου (Hera).....	H13
Διάμετρος σωλήνα αναρρόφησης.....	...41 mm
Σωλήνα αναρρόφησης.....	475 mm
Τάση ανταλλακτικής μπαταρίας.....	18 V
Συνολικές διαστάσεις.....	31/21/43 cm
Βάρος σύμφωνα με τη διαδικασία ΕΡΤΑ 01/2003.....	4,59 kg
Βάρος σύμφωνα με τη διαδικασία ΕΡΤΑ 01/2003 (5,0 Ah).....	5,33 kg
Κλάση προστασίας.....	IP54
Συνιστώμενη θερμοκρασία περιβάλλοντος κατά την εργασία.....	-18...+50 °C
Συνιστώμενοι τύποι συσσωρευτών.....	M18B2, M18B4, M18B5, M18B6, M18B9
Συνιστώμενες συσκευές φόρτισης.....	M12-18C, M12-18AC, M12-18FC, M1418C6

Α ΠΡΟΣΟΧΗ! Διαβάστε όλες τις οδηγίες ασφαλείας και τις οδηγίες χρήσεως. Αμέλειες κατά την τήρηση των προειδοποιητικών υποδείξεων μπορεί να προκαλέσουν ηλεκτροπληξία, κίνδυνο πυρκαγιάς ή/και σοβαρούς τραυματισμούς.
Φυλάξτε όλες τις προειδοποιητικές υποδείξεις και οδηγίες για κάθε μελλοντική χρήση.

Α ΕΙΔΙΚΕΣ ΥΠΟΔΕΙΞΕΙΣ ΑΣΦΑΛΕΙΑΣ

Γενικά δεν επιτρέπεται να απορροφηθούν εύφλεκτες ή εκρηκτικές διαλυτικές ουσίες, υγρά όπως βενζίνη, λάδι, οινόπνευμα, διαλυτικά και εξαρτήματα (γρέζια μετάλλου, στάχτη), που έχουν μία θερμοκρασία πάνω από 60 °C, επειδή υπάρχει κίνδυνος έκρηξης και πυρκαγιάς!

Η συσκευή δεν επιτρέπεται να χρησιμοποιηθεί κοντά σε εύφλεκτα αέρια ή εύφλεκτες ουσίες.

Να μην τίθενται σε λειτουργία οι συσκευές και τα αξεσουάρ τους όταν: υπάρχουν στη συσκευή εμφανείς ζημιές (ρωγμές/σπασίματα), είναι ελαττωματικό το καλώδιο ρεύματος, ή έχει σχισμές ή τσακίσματα, υπάρχει υποψία για μία αόρατη βλάβη (μετά από πέσιμο).

Μην τείνετε ποτέ το ακροφύσιο, το λάστιχο ή τον σωλήνα προς ανθρώπους ή ζώα.

Σε περίπτωση εξόδου αφρού ή νερού να σβήσετε αμέσως τη μηχανή. Αδειάστε το δοχείο και ενδεχομένως το φίλτρο με πιέτες.

Οξές, ασετόν και διαλύτες μπορούν να έχουν καυστική επίδραση επί των τμημάτων της συσκευής.

Σε περίπτωση χρήσης της συσκευής για άλλο σκοπό εκτός από αυτόν για τον οποίο προορίζεται, ή σε περίπτωση μη ορθής χρήσης ή επισκευής, δεν αναλαμβάνουμε καμία ευθύνη για ενδεχόμενες ζημιές.

Μην χρησιμοποιείτε για την απορρόφηση σκονών που είναι επικίνδυνες για την υγεία.

Δεν είναι κατάλληλο για την απορρόφηση υγρών με ισχυρή δημιουργία αφρών.

Πριν από κάθε εργασία στη μηχανή αφαιρείτε την ανταλλακτική μπαταρία.

Μην πετάτε τις μεταχειρισμένες ανταλλακτικές μπαταρίες στη φωτιά ή στα οικιακά απορρίμματα. Η Milwaukee προσφέρει μια απόσυρση των παλιών ανταλλακτικών μπαταριών σύμφωνα με τους κανόνες προστασίας του περιβάλλοντος, ρωτήστε παρακαλώ σχετικά στο ειδικό κατάστημα πώλησης.

Μην αποθηκεύετε τις ανταλλακτικές μπαταρίες μαζί με μεταλλικά αντικείμενα (κίνδυνος βραχυκυκλώματος).

Φορτίζετε τις ανταλλακτικές μπαταρίες του συστήματος M18 μόνο με φορτιστές του συστήματος M18. Μην φορτίζετε μπαταρίες από άλλα συστήματα.

Όταν υπάρχει υπερβολική καταπόνηση ή υψηλή θερμοκρασία μπορεί να τρέξει υγρό μπαταρίας από τις χαλασμένες επαναφορτιζόμενες μπαταρίες. Αν έρθετε σε

επαφή με υγρό μπαταρίας να πλυθείτε αμέσως με νερό και σαπούνι. Σε περίπτωση επαφής με τα μάτια να πλυθείτε σχολαστικά για τουλάχιστον 10 λεπτά και να αναζητήσετε αμέσως ένα γιατρό.

Προειδοποίηση! Για να αποτρέπεται τον κίνδυνο πυρκαγιάς λόγω βραχυκυκλώματος, τραυματισμούς ή ζημιές του προϊόντος, να μη βυθίζετε το εργαλείο, τον ανταλλακτικό συσσωρευτή ή τη συσκευή φόρτισης σε υγρά και να φροντίζετε, ώστε να μη διαισθύνουν υγρά στις συσκευές και τους συσσωρευτές. Διαβρωτικές ή αγώγιμες υγρές ουσίες, όπως αλατόνερο, ορισμένες χημικές ουσίες και λευκαντικά ή προϊόντα που περιέχουν λευκαντικά, μπορεί να προκαλέσουν βραχυκύκλωμα.

Η χρήση και ο καθαρισμός αυτού του εργαλείου δεν επιτρέπεται να πραγματοποιείται από άτομα με μειωμένες σωματικές και διανοητικές ικανότητες και αισθητικές δεξιότητες ή/και άτομα με ελλιπή εμπειρία και γνώση σχετικά με τον ασφαλή χειρισμό του εκτός και αν βρίσκονται υπό την επίβλεψη ατόμων που είναι νομικά υπεύθυνα για την ασφάλειά τους. Τα παραπάνω άτομα πρέπει να επιβλέπονται κατά τη χρήση του εν λόγω εργαλείου. Το εργαλείο δεν είναι κατάλληλο για παιδιά. Για αυτόν τον λόγο πρέπει όταν δεν χρησιμοποιείται να φυλάσσεται σε ασφαλές μέρος μακριά από παιδιά. Να κρατάτε μακριά από τα ανοίγματα και τα κινούμενα μέρη τα μαλλιά, τα ρούχα, τα δάχτυλα και όλα τα μέρη του σώματός σας. Μην τοποθετείτε αντικείμενα στα ανοίγματα και μην χρησιμοποιείτε

το μηχάνημα όταν κάποιο άνοιγμα είναι φραγμένο. Να διατηρείτε τα ανοίγματα καθαρά από σκόνη, χνούδια, τρίχες και οτιδήποτε άλλο μπορεί να μειώσει τη ροή του αέρα.

Μην χρησιμοποιείτε το μηχάνημα σε εξωτερικούς χώρους σε χαμηλές θερμοκρασίες.

Μην χρησιμοποιείτε το μηχάνημα για τη συλλογή εύφλεκτων υγρών όπως βενζίνη ή σε χώρους όπου μπορεί να υπάρχουν εύφλεκτα υγρά.

Μην χρησιμοποιείτε το μηχάνημα για την αναρρόφηση τσιγάρων, σπίρτων ή ζεστής στάχτης.

Να προσέχετε ιδιαίτερα όταν καθαρίζετε σκάλες.

Μην χρησιμοποιείτε τη συσκευή εάν δεν είναι τοποθετημένα τα φίλτρα.

Εάν το μηχάνημα δεν λειτουργεί σωστά, έχει πέσει, έχει παρουσιάσει βλάβη, έχει παραμείνει σε εξωτερικό χώρο ή έχει πέσει στο νερό, επιστρέψτε το σε ένα κέντρο σέρβις ή έναν αντιπρόσωπο.

Σε περίπτωση που εντοπίσετε διαρροή αφρού ή υγρών από το μηχάνημα, απενεργοποιήστε το αμέσως.

Το μηχάνημα δεν μπορεί να χρησιμοποιηθεί ως αντλία νερού. Το μηχάνημα προορίζεται για αναρρόφηση μιγμάτων αέρα και νερού.

Φροντίστε να υπάρχει καλός αερισμός στο χώρο εργασίας.

Μην χρησιμοποιείτε το μηχάνημα ως σκάλα ή σκαλοπάτι. Μπορεί να αναποδογυρίσει και να υποστεί ζημιά. Κίνδυνος τραυματισμού.

Επικίνδυνα υλικά.

Η αναρρόφηση επικίνδυνων υλικών μπορεί να οδηγήσει σε σοβαρό ή ακόμα και θανάσιμο τραυματισμό.

Δεν πρέπει να συλλέγεται τα ακόλουθα υλικά με το μηχάνημα:

- θερμά υλικά (αναμμένα τσιγάρα, ζεστή στάχτη κ.λπ.)
- εύφλεκτα, εκρηκτικά, διαβρωτικά υγρά (π.χ. πετρέλαιο, διαλύματα, οξέα, αλκάλια, κ.λπ.)
- εύφλεκτη, εκρηκτική σκόνη (π.χ. σκόνη μαγνησίου ή αργίλιου κ.λπ.)

ΧΡΗΣΗ ΣΥΜΦΩΝΑ ΜΕ ΤΟ ΣΚΟΠΟ ΠΡΟΟΡΙΣΜΟΥ

Η συσκευή είναι κατάλληλη για τις ακόλουθες εργασίες: αναρρόφηση μη τοξικών σκονών και μη εύφλεκτων υγρών, απορρόφηση του νερού του σοβά ή του βρώμικου νερού, το άνοιγμα των βουλωμένων αποχετεύσεων, τον τελικό καθαρισμό (εργοτάξιο, χώρος εργασίας κλπ.).

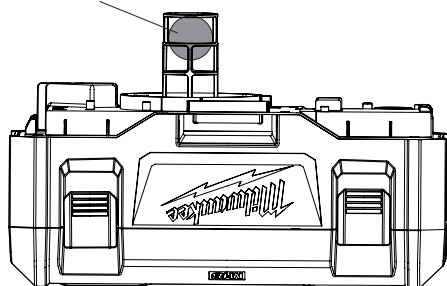
Αυτή η συσκευή επιτρέπεται να χρησιμοποιηθεί μόνο σύμφωνα με τον αναφερόμενο σκοπό προορισμού.

ΛΕΙΤΟΥΡΓΙΑ ΥΓΡΗΣ ΑΝΑΡΡΟΦΗΣΗΣ

Αφαιρέστε ΟΛΑ τα υπόλοιπα ρυτιάνσεων από το δοχείο.

Βγάλτε το φίλτρο. Προσέξτε να παραμείνει το περίβλημα πλωτήρα στη θέση του.

Περίβλημα πλωτήρα



Ενεργοποιήστε τον απορροφητήρα σκόνης και αρχίστε την αναρρόφηση.

Απενεργοποιήστε τη συσκευή αμέσως μετά την υγρή αναρρόφηση ή όταν γεμίζει το δοχείο.

ΥΠΟΔΕΙΞΗ: Όταν μειωθεί η ισχύς αναρρόφησης, απενεργοποιήστε τον απορροφητήρα σκόνης αμέσως και αδειάζετε το δοχείο.

Αφαιρέστε τον αποσπώμενο συσσωρευτή.

Κρατήστε τον εύκαμπο σωλήνα κάθετα, ώστε να μπορεί να ρέει το περιεχόμενο υγρό στο δοχείο.

Αφαιρέστε το περιβλήμα του μοτέρ και απορρίψτε τα απόβλητα νόμιμα.

Απορρυπαίνετε το εσωτερικό του δοχείου και τα εξαρτήματα αναρρόφησης τακτικά, προπαντός μετά την αναρρόφηση υγρών ή κολλωδών ουσιών. Για τον καθαρισμό να χρησιμοποιείτε ζεστό σαπουνόνερο.

ΑΥΤΟΜΑΤΗ ΑΠΕΝΕΡΓΟΠΟΙΗΣΗ ΑΝΑΡΡΟΦΗΣΗΣ

Κατά την αναρρόφηση υγρών ανεβαίνει ένας στο εσωτερικό ερυσκόμενος πλωτήρας συνεχώς και φθάνοντας ένα στοιχείο στεγανοποίησης στην είσοδο του μοτέρ, απενεργοποιεί την απορροφητικότητα. Το μοτέρ λειτουργεί τότε εκπέμποντας έναν οξύ ήχο και η ισχύς αναρρόφησης ελαττώνεται δραστικά. Σ' αυτή την περίπτωση απενεργοποιείτε τον απορροφητήρα σκόνης αμέσως. Εάν δεν απενεργοποιήσετε τη συσκευή, όταν φθάσει ο πλωτήρας στην επάνω θέση και ελαττωθεί η ισχύς αναρρόφησης, θα προκύψει σοβαρή βλάβη στο μοτέρ. Πριν την επαναλειτουργία της συσκευής αδειάζετε το δοχείο αποβλήτων.

ΥΠΟΔΕΙΞΗ: Μια κατά λάθος ανατροπή του απορροφητήρα σκόνης μπορεί να μειώσει την ισχύ τής αναρρόφησης του. Σ' αυτή την περίπτωση απενεργοποιείτε τον απορροφητήρα σκόνης και τον ορθώνετε πάλι. Κατ' αυτό τον τρόπο επαναφέρεται και ο πλωτήρας στην κανονική του θέση.

ΜΠΑΤΑΡΙΕΣ

Επαναφορτίστε τις ανταλλακτικές μπαταρίες που δεν έχουν χρησιμοποιηθεί για μεγαλύτερο χρονικό διάστημα πριν τη χρήση.

Μια θερμοκρασία πάνω από 50°C μειώνει την ισχύ της ανταλλακτικής μπαταρίας. Αποφεύγετε τη θέρμανση για μεγαλύτερο χρονικό διάστημα από τον ήλιο ή τις συσκευές θέρμανσης.

Διατηρείτε τις επαφές σύνδεσης στο φορτιστή και στην ανταλλακτική μπαταρία καθαρές.

Για μια άριστη διάρκεια ζωής πρέπει μετά τη χρήση οι μπαταρίες να φορτιστούν πλήρως.

Για μια κατά το δυνατόν μεγάλη διάρκεια ζωής οι μπαταρίες μετά τη φόρτιση οφείλουν να αφαιρεθούν από το φορτιστή.

Για την αποθήκευση της μπαταρίας για διάστημα μεγαλύτερο των 30 ημερών:

Αποθηκεύετε τη μπαταρία περ. στους 27°C σε στεγνό χώρο. Αποθηκεύετε τη μπαταρία περ. στο 30%-50% της κατάστασης φόρτισης.

Κάθε 6 μήνες φορτίζετε εκ νέου τη μπαταρία.

ΜΕΤΑΦΟΡΑ ΤΩΝ ΜΠΑΤΑΡΙΩΝ ΙΟΝΤΩΝ ΛΙΘΙΟΥ

Οι μπαταρίες ιόντων λιθίου υπόκεινται στις απαιτήσεις των νομικών διατάξεων για την μεταφορά επικινδύνων εμπορευμάτων.

Η μεταφορά τέτοιων μπαταριών πρέπει να πραγματοποιείται τηρώντας τους τοπικούς, εθνικούς και διεθνείς κανονισμούς και τις αντίστοιχες διατάξεις.

- Επιτρέπεται η μεταφορά τέτοιων μπαταριών στο δρόμο χωρίς περαιτέρω απαιτήσεις.
- Η εμπορική μεταφορά μπαταριών ιόντων λιθίου από εταιρείες μεταφορών υπόκειται στις απαιτήσεις των νομικών διατάξεων για την μεταφορά επικινδύνων εμπορευμάτων. Οι προετοιμασίες αποστολής και η μεταφορά πραγματοποιούνται αποκλειστικά από ειδικά εκπαιδευμένα πρόσωπα. Η συνολική διαδικασία συνοδεύεται από εξειδικευμένο προσωπικό.

Κατά τη μεταφορά μπαταριών ιόντων λιθίου πρέπει να προσέχετε τα εξής:

- Φροντίστε τα σημεία επαφών να είναι προστατευμένα και μονωμένα ώστε να αποφευχθούν βραχυκυκλώματα.
- Προσέξτε το πακέτο μπαταριών να είναι σταθερό μέσα στη συσκευασία και να μη γλιστρά.

- Η μεταφορά μπαταριών που παρουσιάζουν φθορές ή διαρροές δεν επιτρέπεται.

Για περισσότερες πληροφορίες απευθυνθείτε στην εταιρεία μεταφορών.

ΣΥΝΤΗΡΗΣΗ

Χρησιμοποιείτε μόνο εξαρτήματα και ανταλλακτικά της Milwaukee. Αναθέστε την αλλαγή των εξαρτημάτων, των οποίων η αντικατάσταση δεν έχει περιγραφεί, σ' ένα κέντρο σέρβις της Milwaukee (προσέξτε το εγχειρίδιο Εγγύηση/ Διευθυνσης εξυπηρέτησης πελατών).

Σε περίπτωση που το χρειαστείτε μπορείτε να παραγγείλετε λεπτομερές σχέδιο της συσκευής αναφέροντας τον τύπο και τον εξαψήφιο αριθμό που βρίσκεται στην πινακίδα τεχνικών χαρακτηριστικών από την εξυπηρέτηση πελατών ή απευθείας από την Techtronic Industries GmbH, διευθυνση Max-Eyth-Strasse 10, 71364 Winnenden, Germany.

ΣΥΜΒΟΛΑ



ΠΡΟΣΟΧΗ! ΠΡΟΕΙΔΟΠΟΙΗΣΗ! ΚΙΝΔΥΝΟΣ!



Πριν από κάθε εργασία στη μηχανή αφαιρέστε την ανταλλακτική μπαταρία.



Παρακαλώ διαβάστε σχολαστικά τις οδηγίες χρήσης πριν από την έναρξη λειτουργίας.



Ηλεκτρική προστασία κλάσης III.



Ηλεκτρικά μηχανήματα, μπαταρίες/συσσωρευτές δεν επιτρέπεται να απορρίπτονται μαζί με τα οικιακά απορρίμματα.

Ηλεκτρικά μηχανήματα και συσσωρευτές συλλέγονται ξεχωριστά και παραδίδονται προς ανακύκλωση με τρόπο φιλικό προς το περιβάλλον σε επιχείρηση επεξεργασίας απορριμμάτων.

Ενημερωθείτε από τις τοπικές υπηρεσίες ή από ειδικευμένους εμπόρους σχετικά με κέντρα ανακύκλωσης και συλλογής απορριμμάτων.



Σήμα συμμόρφωσης CE



Εθνικό σήμα πιστότητας Ουκρανία



EurAsian σήμα πιστότητας.

Üretim numarası	4603 30 011... ...000001-999999
Hava akımı	1300 l/min
Vakum	80 mbar
Tutma kapasitesi:	7,5 l
Filtre yüzeyi (Hepa)	H13
Emme hortumu çapı	41 mm
Emme hortumu	475 mm
Kartuş akü gerilimi	18 V
Toplam ölçüleri	31/21/43 cm
Ağırlığı ise EPTA-üretici 01/2003'e göre	4,59 kg
Ağırlığı ise EPTA-üretici 01/2003'e göre (5,0 Ah)	5,33 kg
Koruma sınıfı	IP54
Çalışma sırasında tavsiye edilen ortam sıcaklığı	-18...+50 °C
Tavsiye edilen akü tipleri	M18B2, M18B4, M18B5, M18B6, M18B9
Tavsiye edilen şarj aletleri	M12-18C, M12-18AC, M12-18FC, M1418C6

⚠ UYARI!! Bütün güvenlik notlarını ve talimatları okuyunuz. Açıklanan uyarılara ve talimat hükümlerine uyulmadığı takdirde elektrik çarpmalarına, yangınlara ve/veya ağır yaralanmalara neden olunabilir.
Bütün uyarıları ve talimat hükümlerini ileride kullanmak üzere saklayın.

⚠ GÜVENLİĞİNİZ İÇİN TALİMATLAR

Bu aletle genel olarak benzin, yağ, alkol, inceltici gibi yanıcı ve patlayıcı maddeler ve sıcaklığı 60°C'nin üzerindeki parçalar (metal talaşları, kül) emdirilemez; aksi takdirde patlama ve yangın tehlikesi ortaya çıkar!

Bu alet alevlenebilir gaz ve benzeri malzemelerin yakınında kullanılamaz.

Aletleri ve aksesuarı şu durumlarda çalıştırmayın: Alette belirgin hasarlar varsa (çizik veya kırıklar), bağlantı kablosu bozüksa veya üzerinde çizik ve çatlaklar varsa, hasar olasılığı yüksekse (örneğin bir çarpma veya düşme olmuşsa).

Memeyi, hortumu veya boruyu insanlara ve hayvanlara doğrultmayın.

Köpük veya su çıkarsa aleti hemen kapatın. Hazneyi veya gerekiyorsa katlanmış filtreyi boşaltın.

Asitler, aseton veya çözücü maddeler aletin parçalarında hasara neden olabilir.

Alet başka amaçlarla kullanılırsa, usulüne uygun kullanılmazsa veya onarımlar yetkili servislerde yaptırılmazsa olası hasarlar için sorumluluk alınmaz .

Bu aleti sağlığa zararlı tozların emdirilmesinde kullanmayın.

Bu alet aşırı ölçüde köpüren sıvıların emdirilmesine uygun değildir.

Aletin kende bir çalışma yapmadan önce kartuş aküyü çıkarın.

Kullanılmış kartuş aküleri ateşe veya ev çöplerine atmayın. Milwaukee, kartuş akülerini çevreye zarar vermeyecek biçimde tasfiye edilmesine olanak sağlayan hizmet sunar; lütfen bu konuda yetkili satıcınızdan bilgi alın.

Kartuş aküleri metal parça veya eşyalarla birlikte saklamayın (kısa devre tehlikesi).

C18 sistemli kartuş aküleri sadece M18 sistemli şarj cihazları ile şarj edin. Başka sistemli aküleri şarj etmeyin.

Aşırı zorlanma veya aşırı ısınma sonucu hasar gören kartuş akülerden batarya sıvısı dışarı akabilir. Batarya sıvısı ile temasa gelen yeri hemen bol su ve sabunla yıkayın. Batarya sıvısı gözünüze kaçacak olursa en azından 10 dakika yıkayın ve zaman geçirmeden bir hekime başvurun.

Uyarı! Bir kişi devreden kaynaklanan yangın, yaralanma veya ürün hasarları tehlikesini önlemek için aleti, güç paketini veya şarj cihazını asla sıvıların içine daldırmayınız ve cihazların ve pillerin içine sıvı girmesini önleyiniz. Tuzlu su, belirli kimyasallar, ağartıcı madde veya ağartıcı madde

içeren ürünler gibi korozif veya iletken sıvılar kısa devreye neden olabilir.

Bu cihaz, fiziksel, duyuusal veya zihinsel yetenekleri yetersiz veya tecrübe veya bilgi eksikliği olan insanlar tarafından kullanılmaz veya temizlenemez. Kendilerine yasalar gereği güvenliklerinden sorumlu olan bir kişi tarafından cihazın güvenli şekilde kullanımının öğretilmiş olması durumu hariçtir. Yukarıda belirtilen insanlar, cihazı kullandıkları sırada gözetim altında tutulmalıdır. Bu cihaz çocuklardan uzak tutulmalıdır. Kullanılmadığında güvenli bir şekilde ve çocukların erişemeyeceği bir yerde muhafaza edilmelidir.

Saçları, gevşek giysileri, parmakları ve vücudun tüm uzuvlarını açıklıklardan ve hareketli parçalardan uzak tutun. Açıklıklara hiçbir nesne koymayın ya da açıklıklar tıkalı halde ürünü kullanmayın. Açıklıklarda toz, tiftik, saç ya da hava akışını azaltabilecek hiçbir malzeme olmadığından emin olun.

Düşük sıcaklıklarda açık alanlarda kullanmayın.

Benzin gibi tutuşabilir ya da yanıcı sıvılar çekmek için ya da bu tür sıvıların bulunabileceği alanlarda kullanmayın.

Sigara, kibrit ya ta sıcak kül gibi yanıcı ya da dumanlı hiçbir malzemeyi çekmeyin.

Merdivenlerde temizlik yaparken çok dikkatli olun.

Filtreler takılı değilse kullanmayın.

Eğer makine düzgün çalışmıyor ya da yere düşürülmüşse, hasarlıysa, açık havada bırakılmışsa ya da suya düşürülmüşse, servis merkezine ya da bayiye geri götürün.

Eğer makineden köpük ya da sıvı çıkarsa hemen kapatın.

Makine su pompası olarak kullanılamaz. Makine, hava ve su karışımlarını vakumla çekmek için tasarlanmıştır.

Çalışma yerinde iyi havalandırma olmasını sağlayın.

Makineyi bir merdiven ya da basamak olarak kullanmayın. Makine devrilebilir ve zarar görebilir. Yaralanma tehlikesi.

Tehlikeli malzemeler.

Tehlikeli malzemelerin çekilmesi, ciddi, hatta ölümcül yaralanmalara neden olabilir.

Aşağıdaki malzemelerin makine ile çekilmemesi gerekmektedir:

- sıcak malzemeler (yanan sigaralar, sıcak küller vs.)
- yanıcı, patlayıcı, güçlü sıvılar (ör. benzin, solventler, asitler, alkali maddeler, vs.)

- yanıcı, patlayıcı toz (ör. magnezyum ya da alüminyum tozu vs.)

KULLANIM

Bu alet şu işlere uygundur: Toksik olmayan tozların ve yanıcı olmayan sıvıların emilmesi, kirli suyun emilmesi, tahliye deliklerinin açılması, son temizlik işleri (şantiye, işyeri gibi).

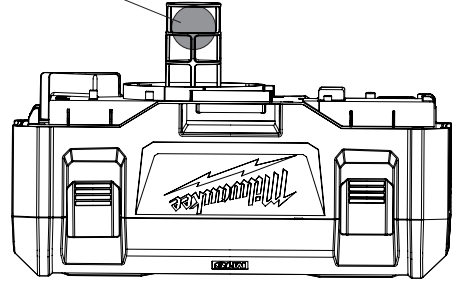
Bu alet sadece belirtildiği gibi ve usulüne uygun olarak kullanılabilir.

ISLAK TEMİZLEME İŞLETİMİ

Tank içindeki BÜTÜN kir artıklarını giderin.

Filtreyi çıkartın. Şamandıra gövdesinin yerinde kaldığından emin olun.

Şamandıra gövdesi



Elektrikli süpürgeyi çalıştırın ve temizleme işlemine başlayın.

Aleti ıslak temizleme işleminden veya tankın dolmasından hemen sonra kapatın.

UYARI: Emme gücü azaldığında, elektrikli süpürgeyi hemen kapatın ve tankı boşaltın.

Güç paketini çıkartın.

İçindeki sıvının tankın içine akabilmesi için hortumu dik şekilde tutun.

Motor gövdesini çıkartın ve kirli suyu usulüne uygun olarak imha edin.

Tankın iç kısmını ve emme aksesuarlarını düzenli olarak temizleyin, özellikle ıslak veya yapışkan malzemelerin emilmesinden sonra. Temizlemek için sıcak sabunlu su kullanın.

EMME İŞLEMİNİN OTOMATİK DURMASI

Sıvıların emilmesi sırasında içinde bulunan bir şamandıra, motor girişindeki bir contaya ulaşana ve emme gücü kapanana kadar yukarı doğru hareket etmektedir. Bu durumda motor daha fazla ses yaparak çalışır ve emme gücü belirgin şekilde azalmaktadır. Böyle bir durumda elektrikli süpürgeyi hemen kapatın. Şamandıra üst pozisyonuna geldikten ve emme gücü azaldıktan sonra aleti kapatmazsanız motor önemli ölçüde zarar görür. Aleti tekrar çalıştırmadan önce kirli su tankını boşaltın.

UYARI: Elektrikli süpürge kazara devrildiğinde, emme gücünü kaybedebilir. Bu durumda elektrikli süpürgeyi kapatın ve tekrar kaldırın. Böylece şamandıra da tekrar normal pozisyonuna gelmektedir.

AKÜ

Uzun süre kullanım dışı kalmış kartuş aküleri kullanmadan önce şarj edin.

50°C üzerindeki sıcaklıklar kartuş akünün performansını düşürür. Akünün güneş ışığı veya mekân sıcaklığı altında uzun süre ısınmamasına dikkat edin.

Sarj cihazı ve kartuş aküdeki bağlantı noktalarını temiz tutun.

Akünün ömrünün mükemmel bir şekilde uzun olması için kullandıktan sonra tamamen doldurulması gerekir.

Ömrünün mümkün olduğu kadar uzun olması için akülerin yükleme yapıldıktan sonra doldurma cihazından uzaklaştırılması gerekir.

Akünün 30 günden daha fazla depolanması halinde:

Aküyü takriben 27°C'de kuru olarak depolayın.

Aküyü yükleme durumunun takriben % 30 - %50 olarak depolayın.

Aküyü her 6 ay yeniden doldurun.

LITYUM İYON PİLLERİN TAŞINMASI

Lityum iyon piller tehlikeli madde taşımacılığı hakkındaki yasal hükümler tabidir.

Bu piller, bölgesel, ulusal ve uluslararası yönetmeliklere ve hükümlere uyularak taşınmak zorundadır.

- Tüketiciler bu pilleri herhangi bir özel şart aranmaksızın karayoluyla taşıyabilirler.
- Lityum iyon pillerin nakliye şirketleri tarafından ticari taşımacılığı için tehlikeli madde taşımacılığının hükümleri geçerlidir. Sevk hazırlığı ve taşıma sadece ilgili eğitimi görmüş personel tarafından gerçekleştirilebilir. Bütün süreç uzmanca bir refakatçilik altında gerçekleştirilmek zorundadır.

Pillerin taşınması sırasında aşağıdaki hususlara dikkat edilmesi gerekmektedir:

- Kısa devre oluşmasını önlemek için kontakların korunmuş ve izole edilmiş olmasını sağlayınız.
- Pil paketinin ambalajı içinde kaymamasına dikkat ediniz.
- Hasarlı veya akmış pillerin taşınması yasaktır.

Ayrıca bilgiler için nakliye şirketinize başvurunuz.

BAKIM

Sadece Milwaukee aksesuarını ve yedek parçalarını kullanın. Değiştirilmesi açıklanmamış olan parçaları bir Milwaukee müşteri servisinde değiştirin (Garanti broşürüne ve müşteri servisi adreslerine dikkat edin).

Gerektiğinde cihazın ayrıntılı çizimini, güç levhası üzerindeki makine modelini ve altı haneli rakamı belirterek müşteri servisinizden veya doğrudan Techtronic Industries GmbH, Max-Eyth-Straße 10, 71364 Winnenden, Germany adresinden isteyebilirsiniz.

SEMBOLLER



DİKKAT! UYARI! TEHLİKE!



Aletin kendinde bir çalışma yapmadan önce kartuş aküyü çıkarın.



Lütfen aleti çalıştırmadan önce kullanma kılavuzunu dikkatli biçimde okuyun.



Elektrik koruma sınıfı III.



Elektrikli cihazların, pillerin/akülerin evsel atıklarla birlikte bertaraf edilmesi yasaktır. Elektrikli cihazlar ve aküler ayrılarak biriktirilmeli ve çevreye zarar vermeden bertaraf edilmeleri için bir atık değerlendirme tesisine götürülmelidir. Yerel makamlara veya satıcınıza geri dönüşüm tesisleri ve atık toplama merkezlerinin yerlerini danışınız.



CE işareti



Ulusal uygunluk işareti Ukrayna



EurAsian Uyumluluk işareti

Výrobní číslo.....	4603 30 01...
	...000001-999999
Proud vzduchu.....	1300 l/min
Podtlak.....	80 mbar
Objem.....	7,5 l
Povrch filtru (Hepa).....	H13
Průměr sací hadice.....	41 mm
Sací hadice.....	475 mm
Napětí výměnného akumulátoru.....	18 V
Celkové rozměry.....	31/21/43 cm
Hmotnost podle prováděcího předpisu EPTA 01/2003.....	4,59 kg
Hmotnost podle prováděcího předpisu EPTA 01/2003 (5,0 Ah) ...	5,33 kg
třída ochrany.....	IP54
Doporučená okolní teplota při práci.....	-18...+50 °C
Doporučené typy akumulátorů.....	M18B2, M18B4, M18B5, M18B6, M18B9
Doporučené nabíječky.....	M12-18C, M12-18AC, M12-18FC, M1418C6

⚠ UPOZORNĚNÍ! Přečtěte si všechny bezpečnostní pokyny a návody. Zanedbání při dodržování varovných upozornění a pokynů mohou mít za následek úder elektrickým proudem, požár a/nebo těžká poranění. **Všechna varovná upozornění a pokyny do budoucna uschovejte.**

⚠ SPECIÁLNÍ BEZPEČNOSTNÍ UPOZORNĚNÍ

Všeobecně se nesmí odsávat žádné hořlavé a výbušné kapaliny jako jsou feididla, benzín, olej, alkohol, rozpouštědla a také části teplejší než 60°C (kovové třísky, popel). Jinak hrozí nebezpečí výbuchu a požáru.

Stroj se nesmí používat v blízkosti hořlavých plynů a jiných látek.

Stroje včetně příslušenství se nesmí používat když: stroj je viditelně poškozen (praskliny, trhliny), přívodní kabel je poškozen nebo stav stroje dává podezření na skrytý defekt (např. po pádu stroje).

Nemířít dýzou, hadicí nebo trubicí na lidi ani zvířata.

Začně-li vycházet pěna či voda, okamžitě stroj vypnout a nádobu popřípadě i filtr vyčistit.

Kyseliny, aceton či ředidla by mohly stroj naleptat.

Záruka se nepřebírá vznikne-li škoda při chybném a nebo nepřiměřeném používání nebo neodbornou opravou.

Nepoužívat pro odsávání zdraví škodlivých prachů.

Není vhodné pro odsávání silně pěnivých kapalin.

Před zahájením veškerých prací na vrtacím šroubováku vyměňte výměnný akumulátor.

Použitě nevyhazujte do domovního odpadu nebo do ohně. Milwaukee nabízí ekologickou likvidaci starých článků, ptejte se u vašeho obchodníka s nářadím.

Náhradní akumulátor neskladujte s kovovými předměty, nebezpečí zkratu.

Akumulátor systému M18 nabíjejte pouze nabíječkou systému M18. Nenabíjejte akumulátory jiných systémů.

Při extrémní zátěži či vysoké teplotě může z akumulátoru vytékat kapalina. Při zasažení touto kapalinou okamžitě zasažená místa omyjte vodou a mýdlem. Při zasažení očí okamžitě důkladně po dobu alespoň 10min.omyvat a neodkladně vyhledat lékaře.

Varování! Abyste zabránili nebezpečí požáru způsobeného zkratem, poraněním nebo poškozením výrobku, neponořujte nářadí, výměnnou baterii nebo nabíječku do kapalin a zajistěte, aby do zařízení a akumulátorů nevnikly žádné tekutiny. Korodující nebo vodivé kapaliny, jako je slaná voda, určité chemikálie a bělicí prostředky nebo výrobky, které obsahují bělidlo, mohou způsobit zkrat.

Tento přístroj nesmí obsluhovat nebo čistit osoby se sníženými

tělesnými, smyslovými nebo duševními schopnostmi, resp. s nedostatečnými zkušenostmi nebo znalostmi, ledaže by byly poučeny osobou ze zákona zodpovědnou za jejich bezpečnost o bezpečné manipulaci s přístrojem. Výše uvedené osoby vyžadují při používání přístroje dozor. Tento přístroj nepatří do rukou dětem. Proto když se nepoužívá, musí být uložený bezpečně a mimo dosah dětí.

Nepřibližujte se vlasy, volným oděvem, prsty ani žádnými částmi těla k otvorům a pohyblivým částem. Do otvorů nevkládejte žádné předměty a zařízení se zablockovanými otvory nepoužívejte. Udržujte otvory volné od prachu, chuchvalců, vlasů či jiných nečistot, jež by mohly omezovat průtok vzduchu.

Nepracujte ve venkovních prostorech při nízké teplotě.

Nevysávejte hořlavé či výbušné kapaliny, například benzin, a nepracujte v oblastech, kde se mohou vyskytovat.

Nevysávejte žádné hořící či doutnající materiály, například cigarety, zápalky a horký popel.

Obzvláště opatrní buďte při práci na schodech.

Nepracujte bez nasazených filtrů.

Jestliže zařízení nepracuje správně nebo spadlo, poškodilo se, bylo ponecháno venku nebo spadlo do vody, předejte jej servisnímu středisku nebo prodejci.

Uniká-li ze zařízení pěna či kapalina, ihned jej vypněte.

Zařízení nesmí být používáno jako vodní čerpadlo. Zařízení je určeno k vysávání směsi vzduchu a vody.

Zajistěte řádné větrání pracoviště.

Zařízení nepoužívejte jako žebřík či stupínek. Zařízení se může převrátit a poškodit. Hrozí nebezpečí zranění.

Nebezpečné materiály

Vysávání nebezpečných materiálů může vést k vážným nebo dokonce smrtelným úrazům.

Zařízením není dovoleno vysávat následující materiály:

- žhavé materiály (doutnající cigarety, horký popel atd.),
- hořlavé, výbušné a agresivní kapaliny (např. benzín, rozpouštědla, kyseliny, zásadité chemikálie atd.)
- a hořlavý či výbušný prach (např. hořčíkový nebo hliníkový prach atd.).

OBLAST VYUŽITÍ

Stroj je vhodný pro následující funkce. Odsávání netoxických prachů a nehořlavých kapalin, nasávání čistící a znečištěné vody, čištění upcovaných odtoků, uklízení místností. (Stavby, pracoviště.)

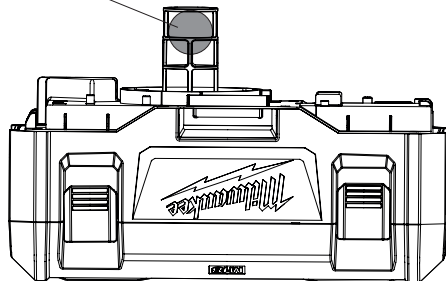
Toto zařízení lze používat jen pro uvedený účel.

PROVOZ MOKRÉHO VYSÁVÁNÍ

VŠECHNY zbytky špíny odstraňte z nádrže.

Vyjměte filtr. Ujistěte se, že plovákové těleso zůstane na místě.

Plovákové těleso



Zapněte vysavač a začněte s vysáváním.

Přístroj vypněte ihned po mokřém vysávání, resp. když je nádrž plná.

UPOZORNĚNÍ: Pokud vysávací výkon vynechává, vysavač ihned vypněte a vyprázdněte nádrž.

Vyjměte výměnný akumulátor.

Hadici podržte svisle, aby kapalina obsažená v hadici mohla odtéct do nádrže.

Odejměte skříň motoru a špinavou vodu řádně zlikvidujte.

Vnitřní prostor nádrže a vysávací příslušenství pravidelně čistěte, zejména po vysávání mokřého a lepevého materiálu. Na vyčištění použijte teplou mýdlovou vodu.

AUTOMATICKÝ VYSÁVACÍ VÝKON

Při vysávání kapalin stoupá vnitřní plovák vždy dále nahoru, až dosáhne těsnění na vstupu motoru a vypne se vysávací síla. Motor pak běží s vyšším zvukem a vysávací výkon se drasticky sníží. V tomto případě vysavač ihned vypněte. Pokud přístroj nevypnete, když plovák dosáhne svoji horní pozici a vysávací výkon vynechává, motor se těžce poškodí. Před opětovným zapnutím přístroje vyprázdněte nádrž na špinavou vodu.

UPOZORNĚNÍ: Pokud by se měl vysavač nedopatřením překlopit, může ztratit na sacím výkonu. V tomto případě vypněte vysavač a znovu jej narovnejte. Tím se i plovák dostane znovu zpět do své normální pozice.

AKUMULÁTORY

Děle nepoužívané akumulátory je nutné před použitím znovu nabít.

Teplota přes 50°C snižuje výkon akumulátoru. Chraňte před dlouhým přehříváním na slunci či u topení.

Kontakty nabíječky a akumulátoru udržujte v čistotě.

Pro optimální životnost je nutné akumulátory po použití plně dobít.

K zabezpečení dlouhé životnosti by se akumulátory měly po nabití vyjmout z nabíječky.

Při skladování akumulátoru po dobu delší než 30 dní:

Skladujte akumulátor v suchu při cca 27°C.

Skladujte akumulátor při cca 30%-50% nabíjecí kapacity.

Opakujte nabíjení akumulátoru každých 6 měsíců.

PŘEPRAVA LITHIUM-IONTOVÝCH BATERIÍ

Lithium-iontové baterie spadají podle zákonných ustanovení pod přepravu nebezpečného nákladu.

Přeprava těchto baterií se musí realizovat s dodržováním lokálních, vnitrostátních a mezinárodních předpisů a ustanovení.

- Spotřebitelé mohou tyto baterie bez problémů přepravovat po komunikacích.
- Komerční přeprava lithium-iontových baterií prostřednictvím přepravních firem podléhá ustanovením o přepravě nebezpečného nákladu. Přípravu k vyexpedování a samotnou přepravu smějí vykonávat jen příslušně vyškolené osoby. Na celý proces se musí odborně dohlížet.

Při přepravě baterií je třeba dodržovat následující:

- Zajistěte, aby kontakty byly chráněné a izolované, aby se zamezilo zkrátům.
- Dávejte pozor na to, aby se svazek baterií v rámci balení nemohl sesmeknout.
- Poškozené a vyteklé baterie se nesmějí přepravovat.

Ohledně dalších informací se obraťte na vaši přepravní firmu.

ÚDRŽBA

Používejte výhradně náhradní díly a příslušenství Milwaukee. Díly, jejichž výměna nebyla popsána, nechávejte vyměnit v odborném servisu Milwaukee. (Viz záruční list.)

V případě potřeby si můžete v servisním centru pro zákazníky nebo přímo od firmy Techtronic Industries GmbH, Max-Eyth-Straße 10, 71364 Winnenden, Německo vyžádat schematický náčrt jednotlivých dílů přístroje, když uvedete typ přístroje a šestimístné číslo na výkonovém štítku.

SYMBOLY



POZOR! VAROVÁN! NEBEZPEČÍ!



Před zahájením veškerých prací na vrtacím šroubováků vyjmout výměnný akumulátor.



Před spuštěním stroje si pečlivě přečtěte návod k používání.



Elektrická třída ochrany III.



Elektrická zařízení, baterie/akumulátory se nesmí likvidovat společně s odpadem z domácností. Elektrická zařízení, baterie/akumulátory je třeba sbírat odděleně a odevzdat je v recyklačním podniku na ekologickou likvidaci. Na místních úřadech nebo u vašeho specializovaného prodejce se informujte na recyklační podniky a sběrné dvory.



Značka CE



Národní znak shody Ukrajiny



Euroasijská značka shody

Výrobné číslo.....	4603 30 01...
	...000001-999999
Prietokové množstvo vzduchu.....	1300 l/min
Podtlak.....	80 mbar
Objem.....	7,5 l
Plocha filtra (Hepa).....	H13
Priemer sacieho potrubia.....	41 mm
Sacieho potrubia.....	475 mm
Napätie výmenného akumulátora.....	18 V
Celkové rozmery.....	31/21/43 cm
Hmotnosť podľa vykonávacieho predpisu EPTA 01/2003.....	4,59 kg
Hmotnosť podľa vykonávacieho predpisu EPTA 01/2003 (5,0 Ah).....	5,33 kg
Trieda ochrany.....	IP54
Odporúčaná okolitá teplota pri práci.....	-18...+50 °C
Odporúčané typy akupaku.....	M18B2, M18B4, M18B5, M18B6, M18B9
Odporúčané nabíjačky.....	M12-18C, M12-18AC, M12-18FC, M1418C6

⚠ UPOZORNENIE! Prečítajte si všetky bezpečnostné pokyny a návody. Zanedbanie dodržiavania Výstražných upozornení a pokynov uvedených v nasledujúcom texte môže mať za následok zavedených elektrickým prúdom, spôsobiť požiar a/alebo ťažké poranenie.
Tieto Výstražné upozornenia a bezpečnostné pokyny starostlivo uschovajte na budúce použitie.

⚠ Špeciálne bezpečnostné pokyny

Všeobecne nesmú byť nasávané žiadne horľavé a výbušné rozpušťačlá, tekutiny ako benzín, olej, alkohol, riedidlo a žiadne častice (kovové triesky, popol) s teplotou nad 60 °C; v takom prípade hrozí nebezpečenstvo výbuchu a požiaru!

Prístroj sa nesmie používať v blízkosti vznietivých plynov a látok.

Prístroje vrátane príslušenstva nepoužívať ak: je prístroj zjavne poškodený (trhliny, zlomy), je pripájací sieťový kábel porušený, alebo vznikajú trhliny príp. došlo k zostátnutiu alebo je podozrenie skrytej poruchy (po páde).

Dýzu, hadicu alebo rúru nesmerovať na ľudí alebo zvieratá.

Pri úniku peny alebo vody prístroj okamžite vypnúť. Nádrž a príp. filter vyprázdniť.

Kyseliny, aceton a rozpúšťačlá môžu prístrojové časti naleptať.

Pri použití na iné účely, nesprávnej obsluhy alebo neodbornej opravy, sa záruka na prípadné škody nevzťahuje.

Nepoužívať na odsávanie škodlivých prachov pre zdravie.

Nie je vhodný na nasávanie silno peniacich tekutín.

Pred každou prácou na stroji výmenný akumulátor vytiahnuť.

Opotrebované výmenné akumulátory nezahadzujte do ohňa alebo medzi domový odpad. Milwaukee ponúka likvidáciu starých výmenných akumulátorov, ktorá je v súlade s ochranou životného prostredia; informujte sa u Vášho predajcu.

Výmenné akumulátory neskladovať spolu s kovovými predmetmi (nebezpečenstvo skratu).

Výmenné akumulátory systému M18 nabíjať len nabíjacími zariadeniami systému M18. Akumulátory iných systémov týmto zariadením nenabíjať.

Pri extrémnych záťažach alebo extrémnych teplotách môže dôjsť k vytekaniu batériovej tekutiny z poškodeného výmenného akumulátora. Ak dôjde ku kontaktu pokožky s roztokom, postihnúť miesto umýť vodou a mydlom. Ak sa roztok dostane do očí, okamžite ich dôkladne vypláchnuť po dobu min. 10 min a bezodkladne vyhľadať lekára.

Varovanie! Aby ste zabránili nebezpečenstvu požiaru spôsobeného skratom, poranenie alebo poškodením výrobku, neponárajte náradie, výmennú batériu alebo nabíjačku do kvapalín a postarajte sa o to, aby do zariadení a akumulátorov nevnikli žiadne tekutiny. Korodujúce alebo

vodivé kvapaliny, ako je slaná voda, určité chemikálie a bieliace prostriedky alebo výrobky, ktoré obsahujú bieliadlo, môžu spôsobiť skrat.

Tento prístroj nesmú obsluhovať alebo čistiť osoby so zníženými telesnými, zmyslovými alebo duševnými schopnosťami príp. nedostatočnými skúsenosťami alebo znalosťami, jedine ako boli osobou zo zákona zodpovednou za ich bezpečnosť poučené o bezpečnej manipulácii s prístrojom. Vyššie uvedené osoby si vyžadujú pri používaní prístroja dozor. Tento prístroj nepatrí do rúk deťom. Preto ak sa nepoužíva, musí byť odložený bezpečne a mimo dosahu detí.

Dbajte na to, aby sa vlasy, voľné odevy, prsty a iné časti tela nedostali do otvorov ani do kontaktu s pohyblivými časťami. Do otvorov nekladajte žiadne predmety a vysávač neprevádzkujte s uzatvorenými otvormi. V otvoroch sa nesmie akumulovať prach, textilné vlákna, vlasy ani čokoľvek iné, čo by mohlo znížiť prúdenie vzduchu. Vysávač nepoužívajte vonku pri nízkych teplotách.

Vysávač nepoužívajte na vysávanie horľavých alebo výbušných kvapalín, ako napríklad benzín, alebo na miestach, kde môžu byť prítomné.

Nevysávajte nič, čo horí alebo dymí, ako napríklad cigarety, zápalky alebo horúci popol.

Pri vysávaní schodov buďte obzvlášť opatrní.

Vysávač nepoužívajte, pokiaľ nie sú vložené filtre.

Ak vysávač nefunguje správne alebo spadol, je poškodený, bol ponechaný vonku alebo spadol do vody, odneste ho do servisného strediska alebo autorizovanému predajcovi.

Ak z vysávača uniká pena alebo kvapalina, okamžite ho vypnite.

Tento vysávač sa nesmie používať ako čerpadlo na vodu. Tento vysávač je určený na vysávanie zmesí vzduchu a vody.

Na pracovisku zabezpečte dobré vetranie.

Tento vysávač nepoužívajte ako rebrík alebo dvojité rebrík. Vysávač by sa mohol prevrátiť a poškodiť. Nebezpečenstvo úrazu.

Nebezpečné materiály.

Pri vysávaní nebezpečných materiálov hrozí riziko vážnych alebo aj smrteľných zranení.

S týmto vysávačom sa nesmú vysávať nasledujúce materiály:

- horúce materiály (horiace cigarety, horúci popol a pod.),

- horľavé, výbušné, agresívne tekuté látky (napr. nafta, riedidlá, kyseliny, zásady a pod.),
- horľavý, výbušný prach (napr. horčíkový alebo hliníkový prach a pod.).

POUŽITIE PODĽA PREDPISOV

Prístroj je vhodný na nasledovné práce: Odsávanie netoxických prachov a nehorľavých tekutín, nasávanie čistiacej alebo odpadovej vody, uvoľňovanie upchatých odtokov, dočisťovanie vor Ort (stavba, pracovisko a i.)

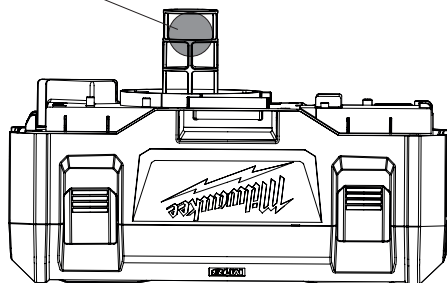
Tento prístroj sa smie používať len v súlade s uvedenými predpismi.

PREVÁDZKA MOKRÉHO VYSÁVANÍ

VŠETKY zvyšky špiny odstráňte z nádrže.

Vyberte filter. Uistite sa, že plavákové teleso zostane na mieste.

Plavákové teleso



Zapnite vysávač a začnite s vysávaním.

Prístroj vypnite ihneď po mokrom vysávaní, resp. ak je nádrž plná.

UPOZORNENIE: Ak vysávací výkon vynecháva, vysávač ihneď vypnite a vyprázdnite nádrž.

Odstraňte výmenný akumulátor.

Hadicu podržte zvislo, aby v nej obsiahnutá kvapalina mohla odtecť do nádrže.

Odstraňte skriňu motora a špinavú vodu riadne zlikvidujte.

Vnútro priestor nádrže a vysávacie príslušenstvo pravidelne čistite, predovšetkým po vysávaní mokrého a lepkavého materiálu. Na vyčistenie použite teplú mydlovú vodu.

AUTOMATICKÝ VYSÁVACÍ VÝKON

Pri vysávaní kvapalín stúpa vnútorný plavák vždy ďalej nahor, až sa dosiahne tesnenie na vstupe motora a vypne vysávaciu silu. Motor potom beží s vyšším tónom a vysávací výkon sa drasticky zníži. V tomto prípade vysávač ihneď vypnite. Keď prístroj nevypnete, potom čo plavák dosiahne svoju hornú pozíciu a vysávací výkon vynecháva, motor sa ťažko poškodí. Pred opätovným zapnutím prístroja vyprázdnite nádrž na špinavú vodu.

UPOZORNENIE: Ak by sa mal vysávač nedopatrením preklopiť, môže stratiť na sacom výkone. V tomto prípade vypnite vysávač a znova ho narovnajete. Tým sa aj plavák dostane znova späť do svojej normálnej pozície.

AKUMULÁTORY

Dlhší čas nepoužívané výmenné akumulátory pred použitím dobiť.

Teplota vyššia ako 50°C znižuje výkon výmenného akumulátora. Zabráňte dlhšiemu ohriatiu slnkom alebo kúrením.

Pripájacie kontakty na nabíjacom zariadení a výmennom akumulátore udržiavať čisté.

Pre optimálnu životnosť je nutné akumulátory po použití plne dobiť.

K zabezpečeniu dlhej životnosti by sa akumulátory mali po nabití vybrať z nabíjačky.

Pri skladovaní akumulátora po dobu dlhšiu než 30 dní: Skladujte akumulátor v suchu pri cca 27°C. Skladujte akumulátor pri cca 30%-50% nabíjacej kapacity. Opakujte nabíjanie akumulátora každých 6 mesiacov.

PREPRAVA LÍTIOVO-IÓNOVÝCH BATÉRIÍ

Lítiovo-iónové batérie podľa zákonných ustanovení spadajú pod prepravu nebezpečného nákladu.

Preprava týchto batérií sa musí realizovať s dodržiavaním lokálnych, vnútroštátnych a medzinárodných predpisov a ustanovení.

- Spotrebiteľia môžu tieto batérie bez problémov prepravovať po cestách.
- Komerčná preprava lítiovo-iónových batérií prostredníctvom špedičných firiem podlieha ustanoveniam o preprave nebezpečného nákladu. Prípravu k vyexpedovaniu a samotnú prepravu smú vykonávať iba adekvátne vyškolené osoby. Na celý proces sa musí odborne dohliadať.

Pri preprave batérií treba dodržiavať nasledovné:

- Zabezpečte, aby boli kontakty chránené a izolované, aby sa zamedzilo skratom.
- Dávajte pozor na to, aby sa zväzok batérií v rámci balenia nemohol zošmyknúť.
- Poškodené a vytečené batérie sa nesmú prepravovať.

Kvôli ďalším informáciám sa obráťte na vašu špedičnú firmu.

ÚDRZBA

Používať len Milwaukee príslušenstvo a náhradné diely. Súčiastky bez návodu na výmenu treba dat vymeniť v jednom z Milwaukee zákazníckych centier (viď brožúru Záruka/Adresy zákazníckych centier).

V prípade potreby si môžete v servisnom centre pre zákazníkov alebo priamo od firmy Techtronic Industries GmbH, Max-Eyth-Straße 10, 71364 Winnenden, Nemecko, vyžiadať schematický náčrt jednotlivých dielov prístroja pri uvedení typu prístroja a šesťmiestneho čísla na výkonovom štítku.

SYMBOLY



POZOR! NEBEZPEČENSTVO!



Pred každou prácou na stroji výmenný akumulátor vytriahnuť.



Pred prvým použitím prístroja si pozorne prečítajte návod na obsluhu.



Elektrická trieda ochrany III.



Elektrické zariadenia, batérie/akumulátory sa nesmú likvidovať spolu s odpadom z domácností. Elektrické zariadenia, batérie/akumulátory treba zbierať oddelene a odovzdať ich v recyklačnom podniku na ekologickú likvidáciu. Na miestnych úradoch alebo u vášho špecializovaného predajcu sa spýtajte na recyklačné podniky a zberné dvory.



Značka CE



Národný znak zhody Ukrajiny



Euroázijská značka zhody

Numer produkcyjny.....	4603 30 01... ...000001-999999
Prędkość przepływu powietrza	1300 l/min
Podciśnienie	80 mbar
Pojemność	7,5 l
Powierzchnia filtra (Hepa)	H13
Średnica węża zasysającego	41 mm
Węża zasysającego	475 mm
Napięcie baterii akumulatorowej	18 V
Wymiary gabarytowe	31/21/43 cm
Ciężar wg procedury EPTA 01/2003	4,59 kg
Ciężar wg procedury EPTA 01/2003 (5,0 Ah)	5,33 kg
Klasa ochrony	IP54
Zalecana temperatura otoczenia w trakcie pracy	-18...+50 °C
Zalecane rodzaje akumulatora	M18B2, M18B4, M18B5, M18B6, M18B9
Zalecane ładowarki	M12-18C, M12-18AC, M12-18FC, M1418C6

⚠ OSTRZEŻENIE! Należy przeczytać wszystkie wskazówki dotyczące bezpieczeństwa i instrukcje. Błędy w przestrzeganiu poniższych wskazówek mogą spowodować porażenie prądem, pożar i/lub ciężkie obrażenia ciała.
Należy starannie przechowywać wszystkie przepisy i wskazówki bezpieczeństwa dla dalszego zastosowania.

⚠ INSTRUKCJE DOTYCZĄCE BEZPIECZEŃSTWA

Nie wlewać do urządzenia żadnych palnych czy wybuchowych rozpuszczalników ani płynów, takich jak benzyna, olej, alkohol, rozcieńczalniki, ani też materiałów stałych, takich jak opiłki metali lub popiół o temperaturze wyższej niż 60°C - w przeciwnym razie może dojść do wybuchu lub pożaru!

Urządzenia nie wolno używać w pobliżu gazów lub innych substancji palnych.

Nie uruchamiać urządzeń ani wyposażenia dodatkowego w przypadku, gdy urządzenie jest w sposób widoczny uszkodzone (pęknięcia, złamania), kabel zasilający jest uszkodzony lub są na nim widoczne oznaki pęknięć lub starzenia, lub gdy istnieje podejrzenie wystąpienia uszkodzenia niewidocznego (po upadku).

Nie kierować dyszy, węża ani rury na ludzi ani zwierzęta.

W przypadku wydostawania się piany lub wody natychmiast wyłączyć urządzenie. Opróżnić pojemnik i w razie potrzeby wyjąć harmonijkowy wkład filtra.

Kwasy, aceton i rozpuszczalniki mogą powodować korozję części urządzenia.

W przypadku niewłaściwego użytkowania, nieprawidłowej pracy lub nieprofesjonalnych napraw nie przyjmujemy odpowiedzialności za żadne zaistniałe szkody.

Nie zasysać pyłów szkodliwych dla zdrowia.

Nie nadaje się do zbierania płynów tworzących obfitą pianę.

Przed przystąpieniem do jakichkolwiek prac na elektronarzędziu należy wyjąć wkładkę akumulatorową.

Zużytych akumulatorów nie wolno wrzucać do ognia ani traktować jako odpadów domowych. Milwaukee oferuje ekologiczną utylizację zużytych akumulatorów.

Nie przechowywać akumulatorów wraz z przedmiotami metalowymi (niebezpieczeństwo zwarcia).

Akumulatory Systemu M18 należy ładować wyłącznie przy pomocy ładowarek Systemu M18. Nie ładować przy pomocy tych ładowarek akumulatorów innych systemów.

W skrajnych warunkach temperaturowych lub przy bardzo dużym obciążeniu może dochodzić do wycieku kwasu akumulatorowego z uszkodzonych baterii akumulatorowych. W przypadku kontaktu z kwasem akumulatorowym należy natychmiast przemyć miejsce kontaktu wodą z mydłem. W przypadku kontaktu z oczami należy dokładnie przepłukiwać oczy przynajmniej przez 10 minut i zwrócić się natychmiast o pomoc medyczną.

Ostrzeżenie! Aby uniknąć niebezpieczeństwa pożaru, obrażeń lub uszkodzeń produktu na skutek zwarcia, nie wolno zanurzać narzędzia, akumulatora wymiennego ani ładowarki w cieczach i należy zatroszczyć się o to, aby do urządzeń i akumulatorów nie dostały się żadne ciecze. Zwarcie spowodować mogą korodujące lub przewodzące ciecze, takie jak woda morska, określone chemikalia i wybielacze lub produkty zawierające wybielacze.

Urządzenie to nie może być obsługiwane ani też czyszczone przez osoby, które posiadają ograniczone fizyczne, sensoryczne lub umysłowe zdolności wzgl. nie dysponują dostatecznym doświadczeniem, chyba że zostały one poinstruowane przez osobę prawnie odpowiedzialną za bezpieczeństwo w zakresie bezpiecznego obchodzenia się z urządzeniem. Wyżej wymienione osoby należy nadzorować podczas użytkowania urządzenia. Urządzenie to nie może dostać się do rąk dzieci. Dlatego też, gdy nie jest ono używane, należy je bezpiecznie przechowywać w miejscu niedostępnym dla dzieci.

Nie zbliżać włosów, luźnych ubrań, palców ani jakichkolwiek części ciała do otworów oraz ruchomych elementów. Nie wkładać niczego do otworów urządzenia i nie używać urządzenia, jeśli otwory są zablokowane. Usuwać z otworów kurz, kłaczki, włosy oraz wszystko,

co mogłoby ograniczać przepływ powietrza.

Nie używać na zewnątrz w niskich temperaturach.

Nie zbierać palnych ani zapalnych płynów, takich jak benzyna, i nie używać w miejscach, gdzie mogą się znajdować takie płyny.

Nie zasysać niczego, co płonie lub dymi, np. papierosów, zapalek czy gorącego popiołu.

Należy zachować szczególną ostrożność podczas odkurzania schodów.

Nie używać urządzenia, jeśli filtry nie są założone.

Jeśli urządzenie nie działa prawidłowo lub zostało upuszczone, uszkodzone, zostawiony na zewnątrz lub wrzucone do wody, należy oddać je do punktu serwisowego lub producenta.

Jeżeli z urządzenia wydostaje się piana lub płyn, należy natychmiast wyłączyć urządzenie.

Nie wolno używać urządzenia jako pompy do wody. Urządzenie jest przeznaczone do zasysania powietrza i mieszanek wodnych.

Zapewnić dobrą wentylację w miejscu pracy.

Nie używać urządzenia jako drabiny lub stopnia. Urządzenie może się przewrócić i ulec uszkodzeniu. Ryzyko odniesienia obrażeń.

Materiały niebezpieczne.

Odkurzanie niebezpiecznych substancji może prowadzić do poważnych, a nawet śmiertelnych obrażeń.

Zabronione jest zbieranie materiałów wymienionych poniżej:

- gorące substancje (tłące się niedopałki papierosów, gorący popiół itp.)
- łatwopalne, wybuchowe i żrące ciecze (np. benzyna, rozpuszczalniki, kwasy, alkalia itp.)
- łatwopalne, wybuchowe pyły (np. pyły magnezowe lub aluminiowe itp.)

WARUNKI UŻYTKOWANIA

Odkurzacz może być używany do zasysania nietoksycznych pyłów i niepalnych cieczy, zasysania zabrudzonej wody, czyszczenia zatkniętych rur odpływowych, sprzątania w miejscach pracy (budynki, stanowiska pracy, itp.).

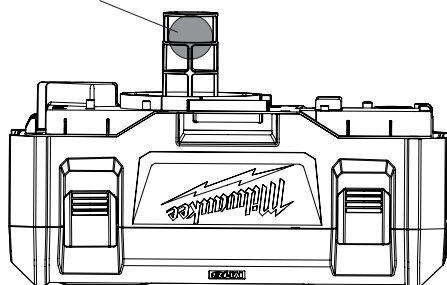
Produkt można użytkować wyłącznie zgodnie z jego normalnym przeznaczeniem.

ODKURZANIE NA MOKRO

Usunąć WSZYSTKIE resztki brudu ze zbiornika.

Wyjąć filtr. Zapewnić, aby obudowa pływaka pozostała na swoim miejscu.

Obudowa pływaka



Włączyć odkurzacz i rozpocząć odkurzanie.

Wyłączyć odkurzacz natychmiast po zakończeniu odkurzania na mokro, bądź gdy zbiornik będzie pełny.

WSKAZÓWKA: W przypadku obniżenia mocy ssania należy natychmiast wyłączyć odkurzacz i opróżnić zbiornik.

Wyjąć akumulator wymienny.

Trzymać wąż w pozycji pionowej, aby znajdujące się w nim ciecze spłynęły do zbiornika.

Zdjąć obudowę silnika i zutylizować ścieki zgodnie z przepisami.

Regularnie czyścić wnętrze zbiornika i akcesoria ssące, przede wszystkim po zakończeniu sprzątania mokrego lub lepkiego materiału. Do czyszczenia należy używać ciepłej wody z mydłem.

AUTOMATYCZNE WYŁĄCZANIE SSANIA

Podczas zasysania cieczy wewnętrzny pływak unosi się przez cały czas do góry, aż do nastąpienia uszczelnienia na wlocie silnika i wyłączenia siły ssącej. Silnik pracuje wówczas głośnie, a moc ssania zostaje drastycznie obniżona. W takim wypadku należy natychmiast wyłączyć odkurzacz. Jeśli po osiągnięciu górnej pozycji przez pływak i obniżeniu mocy zasysania urządzenie nie zostanie wyłączone, nastąpi poważne uszkodzenie silnika. Przed ponownym włączeniem urządzenia należy opróżnić zbiornik na brudną wodę.

WSKAZÓWKĄ: Jeśli odkurzacz przypadkowo się przewróci, może stracić moc ssania. W takim wypadku należy wyłączyć odkurzacz i ponownie go ustawić. Spowoduje to również przywrócenie pływaka do jego normalnej pozycji.

BATERIE AKUMULATOROWE

Akumulatory, które nie były przez dłuższy czas użytkowane, należy przed użyciem naładować.

W temperaturze powyżej 50°C następuje spadek osiągnięć wkładki akumulatorowej. Unikaj długotrwałego wystawienia na oddziaływanie ciepła lub promieni słonecznych (niebezpieczeństwo przegrzania).

Styki ładowarek i wkładki akumulatorowych należy utrzymywać w czystości

Dla zapewnienia optymalnej żywotności akumulatory po użyciu należy naładować do pełnej pojemności.

Dla zapewnienia możliwie długiej żywotności akumulatory należy wyjąć z ładowarki po ich naładowaniu.

W przypadku składowania akumulatorów dłużej niż 30 dni:

Przechowywać je w suchym miejscu w temperaturze ok. 27°C.

Przechowywać je w stanie naładowanym do ok. 30% - 50%. Ładować je ponownie co 6 miesięcy.

TRANSPORT AKUMULATORÓW LITOWO-JONOWYCH

Akumulatory litowo-jonowe podlegają ustawowym przepisom dotyczącym transportu towarów niebezpiecznych.

Transport tych akumulatorów winien odbywać się przy przestrzeganiu lokalnych, krajowych i międzynarodowych rozporządzeń i przepisów.

- Odbiorcom nie wolno transportować tych akumulatorów po drogach o tak po prostu.
- Komercyjny transport akumulatorów litowo-jonowych przez przedsiębiorstwa spedycyjne podlega przepisom dotyczącym transportu towarów niebezpiecznych. Przygotowania do wysyłki oraz transport mogą być wykonywane wyłącznie przez odpowiednio przeszkolone osoby. Cały proces winien odbywać się pod fachowym nadzorem.

W czasie transportu akumulatorów należy przestrzegać następujących punktów:

- Celem uniknięcia zwarcia należy upewnić się, że zestyki są zabezpieczone i zaizolowane.
- Zwracać uwagę na to, aby zespół akumulatorów nie mógł się przemieszczać we wnętrzu opakowania.
- Nie wolno transportować akumulatorów uszkodzonych lub z wyciekającym z elektrolitem.

Odnośnie dalszych wskazówek należy zwrócić się do swojego przedsiębiorstwa spedycyjnego.

UTRZYMANIE I KONSERWACJA

Należy stosować wyłącznie wyposażenie dodatkowe i części zamienne Milwaukee. W przypadku konieczności wymiany części, dla których nie podano opisu, należy skontaktować się z przedstawicielami serwisu Milwaukee (patrz lista punktów obsługi gwarancyjnej/serwisowej).

W razie potrzeby można zamówić rysunek urządzenia w rozłożeniu na części podając typ maszyny oraz sześciopozycyjny numer na tabliczce znamionowej w Punkcie Obsługi Klienta lub bezpośrednio w firmie Techtronic Industries GmbH, Max-Eyth-Straße 10, 71364 Winnenden, Germany.

SYMBOLE



UWAGA! OSTRZEŻENIE
NIEBEZPIECZENSTWO!



Przed przystąpieniem do jakichkolwiek prac na elektronarzędziu należy wyjąć wkładkę akumulatorową.



Przed uruchomieniem elektronarzędzia zapoznać się uważnie z treścią instrukcji.



Klasa ochrony elektrycznej III.



Urządzenia elektryczne, baterie/akumulatory nie mogą być usuwane razem z odpadami pochodzącymi z gospodarstw domowych. Urządzenia elektryczne i akumulatory należy gromadzić oddzielnie i w celu usuwania ich do odpadów zgodnie z wymaganiami środowiska naturalnego oddawać do przedsiębiorstwa utylizacyjnego. Proszę zasięgnąć informacji o centrach recyklingowych i punktach zbiorczych u władz lokalnych lub u wyspecjalizowanego dostawcy.



Znak CE



Krajowy znak zgodności Ukraina



Znak zgodności EurAsian

Gyártási szám.....	4603 30 011... ...000001-999999
A légáramlás mértéke.....	1300 l/min
Vákuum.....	80 mbar
Kapacitás.....	7,5 l
Szűrő felület (Hepa).....	H13
Szívószáj átmérő.....	41 mm
Szívószáj.....	475 mm
Akkumulátor feszültség.....	18 V
Átfogó méretek.....	31/21/43 cm
Súly a 01/2003 EPTA-eljárás szerint.....	4,59 kg
Súly a 01/2003 EPTA-eljárás szerint (5,0 Ah).....	5,33 kg
Védettségi osztály.....	IP54
Ajánlott környezeti hőmérséklet munkavégzésnél.....	-18...+50 °C
Ajánlott akkutípusok.....	M18B2, M18B4, M18B5, M18B6, M18B9
Ajánlott töltőkészülékek.....	M12-18C, M12-18AC, M12-18FC, M1418C6

A FIGYELMEZTETÉS! Olvasson el minden biztonsági útmutatót és utasítást. A következőkben leírt előírások betartásának elmulasztása áramütésekhez, tűzhöz és/vagy súlyos testi sérülésekhez vezethet.
Kérjük a későbbi használatra gondosan őrizze meg ezeket az előírásokat.

A KÜLÖNLEGES BIZTONSÁGI TUDNIVALÓK

Soha ne szívjon fel a gépbe sem semmilyen gyúlékony és robbanékony anyagot, sem a következőket: benzin, olaj, alkohol, higított vagy kis részek (pl.: fém tömitések, vagy hamu) ami 60 C foknál melegebb lehet - robbanás és tűzveszély állhat fent!

A gép használata nem engedélyezett gyúlékony gázok és anyagok közelében.

Ne használja a tartozékokat és a gépet a következő esetekben: ha a gépnek látható sérülése van (törés/repedés); az áramellátó kábel hibás, vagy látható törésre vagy öregedésre utaló jeleket mutat; ha nem látható, de feltételezhető sérülés van a gépben (pl.: leejtés után).

Ne fordítsa a szívószájat, tömlőt, vagy csövet ember vagy állat felé.

Ha bármilyen hab vagy víz folyik ki, azonnal kapcsolja ki a gépet. Úrítse ki a tartályt, és ha szükséges a redős szűrőt Savak, aceton és oldószerek megmarhatják a gép részeit.

Helytelen vagy nem rendeltetészerű használat esetén, vagy nem szakszerű javítás esetén garancia megszűnik.

Ne alkalmazzon elszívást egészségre káros porok esetén.

Nem alkalmas nagy habot képző folyadékok felszívására.

Karbantartás, javítás, tisztítás, stb. előtt az akkumulátort ki kell venni a készülékből.

A használt akkumulátort ne dobja tűzbe vagy a háztartási szeméttel. Tájékoztadjon a szakszerű megsemmisítés helyi lehetőségeiről.

Az akkumulátort ne tárolja együtt fém tárgyakkal. (Rövidzárlat veszélye).

Az M18 elnevezésű rendszerhez tartozó akkumulátorokat kizárólag a rendszerhez tartozó töltővel töltsen fel. Ne használjon más rendszerbe tartozó töltőt.

Akkumulátor sav folyhat a sérült akkumulátorból extrém terhelés alatt, vagy extrém hő miatt. Ha az akkumulátor sav a bőrre kerül azonnal mossa meg szappanos vízzel. Szembe kerülés esetén folyóvíz alatt tartsa a szemét minimum 10 percig és azonnal forduljon orvoshoz.

Figyelmeztetés! A rövidzárlat általi tűz, sérülések vagy termékkárosodások veszélye elkerülésére ne merítse a szerszámot, a cserélhető akkut vagy a töltőkészüléket folyadékokba, és gondoskodjon arról, hogy ne hatoljanak folyadékok a készülékekbe és az akkukba. A korrozív hatású vagy vezetéképes folyadékok, mint pl. a sós víz, bizonyos vegyi anyagok, fehérítők vagy fehérítő tartalmú termékek, rövidzárlatot okozhatnak.

A készüléket nem kezelhetik vagy tisztíthatják csökkent testi, érzékszervi vagy szellemi képességű, ill. hiányos tapasztalatokkal vagy ismertekkel rendelkező személyek, kivéve, ha egy törvényileg a biztonságukért felelős személy eligazításban részesítette őket a készülék biztonságos használatáról. A fentnevezett személyeket felügyelni kell a készülék használatakor. A készülék nem gyermekek kezébe való. Ezért ha nem használják, akkor biztonságosan, gyermekek elől elzárva kell tárolni.

A haját, ujjakat és a testrészeket tartsa távol a nyílásoktól és mozgó alkatrészekről. Ne helyezzen tárgyakat a nyílásokba és ne használja a készüléket eltömődött nyílásokkal. Gondoskodjon róla, hogy a nyílásokba ne kerüljön por, papírforgács, haj, szőrzet és bármi egyéb, ami csökkenti a levegő áramlását.

Tilos kültéren, alacsony hőmérsékleten alkalmazni!

A készüléket tilos használni gyúlékony vagy robbanóképes

folyadékok, például benzin felszívására, vagy olyan helyeken, ahol ilyen anyagok előfordulhatnak.

Nem szabad égő vagy füstölő anyagokat felszívni, így tilos a cigaretta, gyufa vagy forró hamu felszívása!

Lépcsők tisztításakor mindig legyen nagyon körültekintő.

Ne használja a készüléket, ha nincsenek a szűrők beszerelve.

Ha a készülék nem működik megfelelően, vagy leejtették, megrongálódott, az időjárásnak volt kitéve, esetleg vízbe esett, akkor juttassa a szervizközpontba vagy a viszonteladóhoz.

Ha hab vagy folyadék jön ki a készülékből, akkor azonnal kapcsolja ki a készüléket.

A készülék nem használható vízszivattyúként. A készüléket csak levegő és víz keverékének felszívására tervezték.

Biztosítson megfelelő szellőzést a munkavégzés helyén.

Ne használja a készüléket létraként vagy fellépőként. A készülék felborulhat és megrongálódhat. Fennáll a sérülés veszélye.

Veszélyes anyagok.

Veszélyes anyagok felporszívóztatása súlyos vagy halálos sérülésekhez vezethet.

Az alábbi anyagokat tilos a készülékkel felszívni:

- forró anyagok (égő cigaretta, forró hamu stb.)
- gyúlékony, robbanásveszélyes, agresszív hatású folyadékok (pl. benzin, oldószerek, savak, lúgok stb.)
- gyúlékony, robbanásveszélyes porok (pl. magnéziumpor, alumíniumpor stb.)

RENDELTETÉSSZERŰ HASZNÁLAT

A porszívó a következő alkalmazásokra használható: nem-toxikus por és nem-maró folyadékok elszívására, sáros vagy szennyezett víz felszívására, eldugult vízvezetők kitisztítására, építési helyszín tisztítására (építkezés, munka terület stb.)

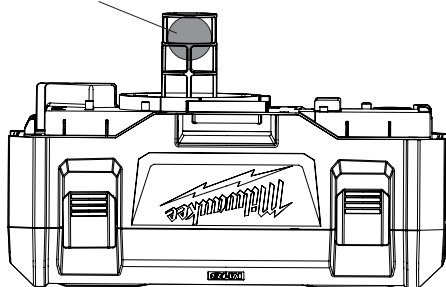
A készüléket kizárólag az alábbiakban leírtaknak megfelelően szabad használni.

NEDVES PORSZÍVÓ ÜZEMMŰ

Távolítsa el a tartályból az ÖSSZES szennyeződés maradványt.

Vegye ki a szűrőt. Biztosítsa, hogy az úszóház a helyén maradjon.

Úszóház



Kapcsolja be a porszívót és kezdje el a porszívózást.

Kapcsolja ki a készüléket a nedves porszívózás után, ill. ha a tartály megtelt.

MEGJEGYZÉS: Ha a szívóteljesítmény csökken, azonnal kapcsolja ki a porszívót, és ürítse ki a tartályt.

Távolítsa el a cserélhető akkumulátort.

Tartsa a tömlőt függőlegesen, hogy a benne lévő folyadék a tartályba folyhasson.

Távolítsa el a motorházat és szabályszerűen ártalmatlanítsa a szennyezett vizet.

A tartály belsejét és a porszívó tartozékokat rendszeresen tisztítsa meg, mindenekelőtt nedves vagy ragadós anyag felporszívóztatása után. Tisztításhoz használjon meleg szappanos vizet.

AUTOMATIKUS SZÍVÁS LEKAPCSOLÁS

Folyadékok felporszívóztatásánál egy belső úszó egyre feljebb emelkedik, míg el nem ér egy tömítést a motor bemeneténél, és a szívóerő ki nem kapcsol. A motor ekkor magasabb hanggal működik, és a szívóteljesítmény drasztikusan csökken. Ebben az esetben azonnal kapcsolja ki a porszívót. Ha nem kapcsolja ki a porszívót, miután az úszó elérte felső helyzetét és a szívóerő csökken, a motor súlyosan károsodik. A készülék ismételt bekapcsolása előtt ürítse ki a szennyezett vizet tartalmazó tartályt.

MEGJEGYZÉS: Ha a porszívó véletlenül felborulna, a szívóteljesítmény csökkenhet. Ebben az esetben kapcsolja ki a porszívót és állítsa fel újra. Így az űszó is visszatér normál pozíciójába.

AKKUK

A hosszabb ideig üzemben kívül lévő akkumulátort használat előtt ismételen fel kell tölteni.

50°C feletti hőmérsékletnél csökkenhet az akkumulátor teljesítménye. Kerülni kell a túlzottan meleg helyen vagy napon történő hosszabb idejű tárolást.

A töltő és az akkumulátor csatlakozóit mindig tisztán kell tartani.

Az optimális élettartam érdekében használat után az akkukat teljesen fel kell tölteni.

A lehetőleg hosszú élettartamhoz az akkukat feltöltés után ki kell venni a töltőkészülékből.

Az akku 30 napot meghaladó tárolása esetén:

Az akkut kb. 27 °C-on, száraz helyen kell tárolni.

Az akkut kb. 30-50%-os töltöttségi állapotban kell tárolni.

Az akkut 6 havonta újra fel kell tölteni.

LÍTIUM-ION AKKUK SZÁLLÍTÁSA

A lítium-ion akku a veszélyes áruk szállítására vonatkozó törvényi rendelkezések hatálya alá tartoznak.

Az ilyen akku szállításának a helyi, országos és nemzetközi előírások és rendelkezések betartása mellett kell történnie.

- A fogyasztók minden további nélkül szállíthatják az ilyen akkukat közúton.
- A lítium-ion akku szállítmányozási vállalatok általi kereskedelmi célú szállítására a veszélyes áruk szállítására vonatkozó rendelkezések érvényesek. A kiszállítás előkészítését és a szállítást kizárólag megfelelő képzettségű személyek végezhetik. A teljes folyamatnak szakmai felügyelet alatt kell történnie.

A következő pontokat kell figyelembe venni akku szállításakor:

- Biztosítsa, hogy a rövidzárlatok elkerülése érdekében az érintkezők védve és szigetelve legyenek.
- Ügyeljen arra, hogy az akkusomag ne tudjon elcsúszni a csomagoláson belül.
- Tilos sérült vagy kifolyt akkukat szállítani.

További útmutatásokért forduljon szállítmányozási vállalatához.

KARBANTARTÁS

Javításhoz, karbantartáshoz kizárólag Milwaukee alkatrészeket és tartozékokat szabad használni. A készülék azon részeinek cseréjét, amit a kezelési útmutató nem engedélyez, kizárólag a javításra feljogosított márkaszervíz végezheti. (Lásd a szervízlistát)

Igény esetén a készülékről robbantott rajz kérhető a géptípus és a teljesítménycímként található hatjegyű szám megadásával az Ön vevőszolgálatánál, vagy közvetlenül a Techtronic Industries GmbH-től a Max-Eyth-Straße 10, 71364 Winnenden, Németország címen.

SZIMBÓLUMOK



FIGYELEM! FIGYELMEZTETÉS! VESZÉLY!



Karbantartás, javítás, tisztítás, stb. előtt az akkumulátort ki kell venni a készülékből.



Kérjük alaposan olvassa el a tájékoztatót mielőtt a gépet használja.



Elektromos védelmi osztály: III.



Az elektromos eszközöket, elemeket/akkukat nem szabad a háztartási hulladékkal együtt ártalmatlanítani.

Az elektromos eszközöket és akkukat szelektíven kell gyűjteni, és azokat környezetbarát ártalmatlanítás céljából hulladékhasznosító üzemben kell leadni. A helyi hatóságoknál vagy szakkereskedőjénél tájékozódjon a hulladékudvarokról és gyűjtőhelyekről.



CE-jelölés



Ukrán nemzeti megfelelőségi jelölés



Eurázsiai megfelelőségi jelzés.

Proizvodna številka.....	4603 30 01...
	...000001-999999
zračni tok	1300 l/min
Podtlak.....	80 mbar
Prostornina.....	7,5 l
Površina filtra (Hepa).....	H13
Premer sesalne cevi.....	41 mm
Sesalne cevi.....	475 mm
Napetost izmenljivega akumulatorja.....	18 V
Skupne izmere.....	31/21/43 cm
Teža po EPTA-proceduri 01/2003.....	4,59 kg
Teža po EPTA-proceduri 01/2003 (5,0 Ah).....	5,33 kg
Zaščitni razred.....	IP54
Priporočena temperatura okolice pri delu.....	-18...+50 °C
Priporočene vrste akumulatorskih baterij.....	M18B2, M18B4, M18B5, M18B6, M18B9
Priporočeni polnilniki.....	M12-18C, M12-18AC, M12-18FC, M1418C6

⚠ OPOZORILO! Preberite vsa varnostna opozorila in navodila. Napake zaradi neupoštevanja spodaj navedenih opozoril in napotil lahko povzročijo električni udar, požar in/ali težke telesne poškodbe.
Vsa opozorila in napotila shranite, ker jih boste v prihodnje še potrebovali.

⚠ SPECIALNI VARNOSTNI NAPOTKI

Na splošno se ne smejo vsesavati nikakršna eksplozivna topila, tekočine kot bencin, olje, alkohol, razredčilo in majhni deli (kovinski drobci, pepel), s temperaturo nad 60 °C; v nasprotnem primeru preti nevarnost eksplozije!

Naprava se ne sme uporabljati v bližini vnetljivih plinov in substanc.

Naprav vključno z opremo ne uporabljajte, če: naprava kaže razpoznavne poškodbe (razpoke / lome), če je električni priključni vod pokvarjen, oziroma če se na njem kažejo razpoke oziroma znaki staranja, če obstaja sum na neko nevidno poškodbo (po padcu).

Šobe, gibke cevi ali cevi ne usmerjajte proti ljudem ali živalim.

Pri izstopanju pene ali vode takoj izklopite. Izpraznite posodo in po potrebi nagubani filter.

Kislina, aceton in topila lahko nagrizejo dele naprave.

Pri uporabi, ki ni v skladu z namembnostjo, nepravilnem upravljanju ali nestrokovnem popravilu ne prevzemamo nikakršnega jamstva za morebitno škodo.

Ne uporabljajte za sesanje zdravju škodljivega prahu.

Ni primerno za sesanje tekočin, ki se močno penijo.

Pred vsemi deli na stroji odstranite izmenljivi akumulator.

Izrabljenih izmenljivih akumulatorjev ne mečite v ogenj ali v gospodinjstve odpadke. Milwaukee nudi okolju prijazno odlaganje starih izmenljivih akumulatorjev; prosimo povprašajte vašega strokovnega trgovca.

Izmenljivih akumulatorjev ne hranite skupaj s kovinskimi predmeti (nevarnost kratkega stika).

Izmenljive akumulatorje sistema M18 polnite samo s polnilnimi aparati sistema M18. Ne polnite nobenih akumulatorjev iz drugih sistemov.

Pod ekstremno obremenitvijo ali ob ekstremni temperaturi iz poškodovanega izmenljivega akumulatorja lahko izteka akumulatorska tekočina. Po stiku z akumulatorsko tekočino prizadeto mesto takoj izperite z vodo in milom. Po stiku z očmi takoj najmanj 10 minut dolgo temeljito izpirajte in nemudoma obiščite zdravnika.

Opozorilo! V izogib, s kratkim stikom povzročene nevarnosti požara, poškodb ali okvar na proizvodni, orodja, izmenljivega akumulatorja ali polnilne naprave ne potaplajte v tekočine in poskrbite, da ne bo prihajalo do vdora tekočin v naprave in akumulatorje. Korozivne ali prevodne tekočine, kot so slana voda, določene kemikalije in belila ali proizvodi, ki le ta vsebujejo, lahko povzročijo kratek stik.

Te naprave ni dovoljeno upravljati ali čistiti s strani oseb, ki imajo omejene telesne, senzorične ali duševne sposobnosti oz. pomanjkljive izkušnje ali znanja, razen kadar so bili s strani, za njihovo varnost zakonsko odgovorne osebe, poučeni o varni rabi naprave. Zgoraj navedene osebe je med uporabo naprave potrebno nadzorovati. Ta naprava ne sodi v roke otrok. Vsled tega jo je v primeru neuporabe potrebno shranjevati varno in izven dosega otrok.

Pazite, da lasje, ohlapna oblačila, prsti in drugi deli telesa ne bodo v bližini odprtih in premičnih delov. Ne vstavljajte predmetov v odprtine in ne uporabljajte naprave, če so odprtine zamašene. Pazite, da se v odprtinah ne nabere prah, kosmi, lasje in karkoli drugega, kar bi lahko oviralo pretok zraka.

Ne uporabljajte naprave zunaj pri nizkih temperaturah.

Naprave ne uporabljajte za sesanje vnetljivih ali gorljivih tekočin, kakršna je npr. bencin, in je ne uporabljajte v območjih, kjer bi te tekočine lahko bile prisotne.

Ne sesajte ničesar, kar se žge ali kadi, npr. cigaret, vžigalic ali vročega pepela.

Pri čiščenju na stopnicah bodite še posebej previdni.

Naprave ne uporabljajte, če filtri niso pritrjeni.

Če naprava ne deluje ustrezno ali če je padla, je bila poškodovana, ste jo pustili zunaj ali je padla v vodo, jo vrnite v servisni center ali prodajalcu.

Če iz naprave izteka pena ali tekočina, jo nemudoma izklopite.

Naprave ne uporabljajte kot vodno črpalko. Naprava je namenjena sesanju zračnih in vodnih mešanic.

Na delovnem mestu zagotovite dobro prezračevanje.

Ne uporabljajte naprave kot lestev. Naprava se lahko prevrne in poškoduje. Nevarnost poškodb.

Nevarne snovi.

Sesanje nevarnih snovi lahko privede do resnih ali celo usodnih poškodb.

S čistilnikom ne smete posesati naslednjih snovi:

- vročih materialov (prižganih cigaret, vročega pepela itd.)
- vnetljivih, eksplozivnih, korozivnih tekočin (npr. bencin, topila, kisline, lužnine itd.)
- vnetljivega, eksplozivnega prahu (npr. magnezijev ali aluminijev prah itd.).

UPORABA V SKLADU Z NAMEMBNOSTJO

Naprava je primerna za naslednja dela: odsesavanje nestrupenega prahu in neločljivih tekočin, odsesavanje čistilne ali umazane vode, čiščenje zamašenih odtokov, končno čiščenje na kraju (gradbišče, delovno mesto itd.).

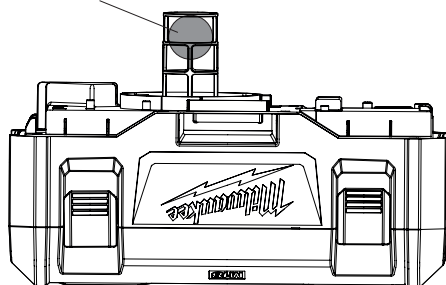
Ta naprava se sme uporabiti samo v skladu z namembnostjo uporabiti samo za navede namene.

NAČIN DELOVANJA MOKRO SESANJE

Iz posode odstranite VSO umazanijo.

Vzemite filter. Prepričajte se, da je ohišje plovca ostalo na svojem mestu.

Ohišje plovca



Vklopite sesalec in pričnite s sesanjem.

Takoj po mokrem sesanju oz. ko je posoda polna napravo izklopite.

OPOMBA: V primeru, ko se moč vsesavanja zmanjša, sesalec takoj izklopite in izpraznite posodo.

Akumulatorsko baterijo vzemite ven.

Cev držite navpično, da bi tekočina lahko stekla v posodo.

Odstranite ohišje motorja ter umazano vodo odlijte v skladu z navodili.

Notranjost posode in nastavke sesalca redno čistite, zlasti po vsesavanju mokrih in lepljivih materialov. Za čiščenje uporabite toplo milnico.

SAMODEJNI IZKLOP VSESAVANJA

Ko sesalec vsesa tekočino, se notranji plovec dvigne navzgor in ko pride do tesnila na vhodu motorja, se vsesavanje izklopi. V tistem trenutku prične motor glasneje delovati ter se moč vsesavanja občutno zmanjša. V tem primeru sesalec nemudoma izklopite. Ko plovec pride do zgornjega položaja in se moč vsesavanja zmanjša, se motor lahko resneje poškoduje, če naprave nemudoma ne izklopite. Preden napravo ponovno vklopite, izpraznite posodo za umazano vodo.

OPOMBA: V primeru, da se sesalec prevrne na eno stran, se moč vsesavanja lahko zmanjša. V tem primeru sesalec izklopite ter ga postavite pokonci. Na ta način se bo plovec vrnil v normalen položaj.

AKUMULATORJI

Izmenljive akumulatorje, ki jih daljši čas niste uporabljali, pred uporabo naknadno napolnite.

Temperatura nad 50°C zmanjšuje zmogljivost izmenljivega akumulatorja. Izogibajte se daljšemu segrevanju zaradi sončnih žarkov ali gretja.

Pazite, da ostanejo priključni kontakti na polnilnem aparatu in izmenljivem akumulatorju čisti.

za optimalno življenjsko dobo je potrebno akumulatorje po uporabi do konca napolniti.

Za čim daljšo življenjsko dobo naj se akumulatorji po napolnitvi vzamejo ven iz naprave za polnjenje.

Pri skladiščenju akumulatorjev dalj kot 30 dni:

Akumulator skladiščiti pri 27°C in na suhem.

Akumulator skladiščiti pri 30%-50% stanja polnjenja.

Akumulator spet napolniti vsakih 6 mesecev.

TRANSPORT LITIJ-IONSКИH AKUMULATORJEV

Litij-ionski akumulatorji so podvrženi zakonskim določbam transporta nevarnih snovi.

Transport teh akumulatorjev se mora izvajati upoštevajoč lokalne, nacionalne in mednarodne predpise in določbe.

- Potrošniki lahko te akumulatorje še nadalje transportirajo po cesti.
- Komercialni transport litij-ionskih akumulatorjev s strani špediterskih podjetij je podvržen določbam transporta nevarnih snovi. Priprava odpreme in transporta se lahko vrši izključno s strani ustrezno izšolanih oseb. Celoten proces je potrebno strokovno spremljati.

Pri transportu akumulatorjev je potrebno upoštevati sledeče točke:

- V izogib kratkim stikom zagotovite, da bodo kontakti zaščiteni in izolirani.
- Bodite pozorni na to, da paket akumulatorja v notranjosti embalaže ne bo mogel zdrsni.
- Poškodovanih ali iztekajočih akumulatorjev ni dovoljeno transportirati.

Za nadaljnja navodila se obrnite na vaše špeditersko podjetje.

VZDRŽEVANJE

Uporabljajte samo Milwaukee pribor in nadomestne dele. Poskrbite, da sestavne dele, katerih zamenjava ni opisana, zamenjajo v Milwaukee servisni službi (upoštevajte brošuro Garancija/Naslovi servisnih služb).

Po potrebi je mogoče pri vašem servisnem mestu ali neposredno pri Techtronic Industries GmbH, Max-Eyth-Straße 10, 71364 Winnenden, Germany, naročiti eksplozijsko risbo naprave ob navedbi tipa stroja in na tablici navedene šestmestne številke.

SIMBOLI



POZOR! OPOZORILO! NEVARNO!



Pred vsemi deli na stroji odstranite izmenljivi akumulator.



Prosimo, da pred uporabo pozorno preberete to navodilo za uporabo.



Električni zaščitni razred III.



Električnih naprav, baterij/akumulatorjev ni dovoljeno odstranjevati skupaj z gospodinjstvi odpadki.

Električne naprave in akumulatorje je potrebno zbirati ločeno in za okolju prijazno odstranitev, oddati podjetju za reciklažo.

Pri krajevnem uradu ali vašem strokovnem prodajalcu se pozanimajte glede reciklažnih dvorišč in zbirnih mest.



CE-znak



Nacionalna oznaka skladnosti Ukrajina

TR 066



EurAsian oznaka o skladnosti.

Broj proizvodnje.....	4603 30 01...
	...000001-999999
Strujanje zraka.....	1300 l/min
Sniženi tlak.....	80 mbar
Zapremina:.....	7,5 l
Površina filtera (Hepa).....	H13
Promjer usisnog crijeva.....	41 mm
Usisnog crijeva.....	475 mm
Napon baterije za zamjenu.....	18 V
Sveukupne dimenzije.....	31/21/43 cm
Težina po EPTA-proceduri 01/2003.....	4,59 kg
Težina po EPTA-proceduri 01/2003 (5,0 Ah).....	5,33 kg
Zaštitna klasa.....	IP54
Preporučena temperatura okoline kod rada.....	-18...+50 °C
Preporučeni tipovi akumulatora.....	M18B2, M18B4, M18B5, M18B6, M18B9
Preporučeni punjači.....	M12-18C, M12-18AC, M12-18FC, M1418C6

A UPOZORENJE! Pročitajte molimo sve sigurnosna upozorenja i upute. Ako se ne bi poštivale napomene o sigurnosti i upute to bi moglo uzrokovati strujni udar, požar i/ili teške ozljede.
Sačuvajte sve napomene o sigurnosti i upute za buduću primjenu.

A SPECIJALNE SIGURNOSNE UPUTE

Generalno se ne smiju usisavati nikakva zapaljiva ili eksplozivna otapala, tekućine kao benzin, ulje, alkohol, razrijeđivači i nikakvi dijelovi (metalne strugotine, pepeo), sa jednom temperaturom od preko 60 °C; postoji opasnost od eksplozije i požara!

Uređaj se ne smije upotrebljavati u blizini zapaljivih plinova i supstancija.

Uređaje uključeno pribor ne stavljati u pogon ako: Uređaj pokazuje vidljiva oštećenja (pukotine/omove), ako je vod priključka struje defektan ili pokazuje stvaranje pukotina odnosno starenja, ako postoji sumnja na neki nevidljivi defekt (nakon pada).

Sapnicu, gumenu cijev ili cijev ne usmjeravati prema ljudima i životinjama.

Kod izlaska pjene ili vode odmah isključiti. Rezervoar i po potrebi naborani filter isprazniti.

Kiselina, aceton i otapalo mogu nagrizati dijelove uređaja.

Kod primjene u druge svrhe, nestručnog rukovanja ili nestručne popravke se ne preuzima jamstvo za eventualna oštećenja.

Ne upotrebljavati za usisavanje prašina koje ugrožavaju zdravlje.

Nije prikladno za usisavanje jako pjenušavih tekućina.

Prije svih radova na stroju izvaditi bateriju za zamjenu.

Istrošene baterije za zamjenu ne bacati u vatra ili u kućno smeće. Milwaukee nudi mogućnost uklanjanja starih baterija odgovarajuće okolini. Milwaukee nudi mogućnost uklanjanja starih baterija odgovarajuće okolini; upitajte molimo Vašeg stručnog trgovca.

Baterije za zamjenu ne čuvati skupa sa metalnim predmetima (opasnost od kratkog spoja).

Baterije sistema M18 puniti samo sa uređajem za punjenje sistema M18. Ne puniti baterije iz drugih sistema.

Pod ekstremnim opterećenjem ili ekstremne temperature može iz oštećenih baterija iscuriti baterijska tekućina. Kod dodira sa baterijskom tekućinom odmah isprati sa vodom i sapunom. Kod kontakta sa očima odmah najmanje 10 minuta temeljno ispirati i odmah potražiti liječnika.

Upozorenje! Zbog izbjegavanja opasnosti od požara jednim kratkim spojem, opasnosti od ozljeda ili oštećenja proizvoda, alat, izmjenjivi akumulator ili napravu za punjenje ne uronjavati u tekućine i pobrinite se za to, da u uređaje ili akumulator ne prodiru nikakve tekućine. Korozirajuće ili vodljive tekućine kao slana voda, određene kemikalije i

sredstva za bijeljenje ili proizvodi koji sadrže sredstva bijeljenja, mogu prouzročiti kratak spoj.

Ovaj uređaj ne smiju posluživati ili čistiti osobe sa smanjenim tjelesnim, senzoričkim ili duševnim sposobnostima odn. osobe ne raspolažu sa dovoljno iskustva ili znanja, osim ako su od strane osobe, koja je zakonski odgovorna za sigurnost bile upućene o sigurnom rukovanju sa uređajem. Gore navedene osobe moraju kod upotrebe uređaja biti pod nadzorom. Ovaj uređaj ne smije dospijeti u ruke djece. Kod nekorištenja se uređaj stoga mora čuvati izvan dohvata djece.

Kosu, labavu odjeći, prste i sve dijelove tijela držite podalje od otvora i pokretnih dijelova. Ne stavljajte nikakve predmete u otvore i ne rabite uređaj sa začepljenim otvorima. Otvori moraju biti čisti, bez prašine, prljavštine, kose i bilo čega što bi moglo smanjiti protok zraka.

Ne rabite na otvorenom pri niskim temperaturama.

Ne rabite za usisavanje zapaljivih tekućina, kao što je benzin i ne

rabite ga u područjima gdje bi mogle biti prisutne.

Ne usisavajte ništa što je zapaljeno ili se dimi, kao što su cigarete, šibice ili vrući pepeo.

Prilikom čišćenja stepenica budite osobito oprezni.

Ne rabite ako nisu montirani filtri.

Ako stroj ne funkcionira pravilno ili je pao, bio oštećen, ostavljen na otvorenom ili je pao u vodu, vratite ga u servisni centar ili trgovcu.

Ako pjena ili tekućina isticu iz uređaja, odmah ga isključite.

Stroj se ne smije koristiti kao pumpa za vodu. Stroj je namijenjen usisavanju zraka i vodenih smjesa.

Na radnom mjestu osigurajte dobro provjetranje.

Ne rabite stroj kao ljestve. Stroj se može prevrnuti i oštetiti. Opasnost od ozljede.

Opasni materijali.

Usisavanje opasnih materijala može uzrokovati teške, pa čak i smrtno tjelesne ozljede.

Sljedeći se materijali ne smiju usisavati:

- vrući materijali (tinjajuće cigarete, vrući pepeo itd.)
- zapaljive, eksplozivne, agresivne tekućine (npr. benzin, otapala, kiseline, lužine itd.)
- zapaljiva, eksplozivna prašina (npr. prašina magnezija ili aluminija itd.)

PROPISNIA UPOTREBA

Uređaj je prikladan za slijedeće radove: Usisavanje neotrovnih prašina i negorivih tekućina, usisavanje vode od žbuke i prljave vode, slobodno usisavanje začepljenih odvoda, konačno čišćenje na licu mjesto (gradilište, radno mjesto itd.).

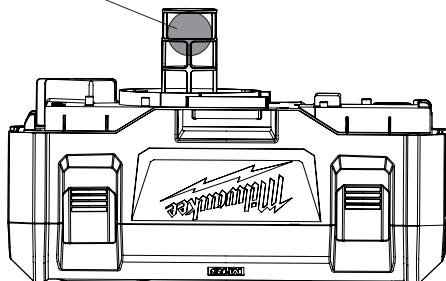
Ovaj aparat se smije upotrijebiti samo u određene svrhe kao što je navedeno.

MOKRO USISAVANJE

SVE ostatke prljavštine odstraniti iz spremnika.

Filter izvaditi. Uvjertiti se da kućište plovk ostaje na mjestu.

Kućište plovk



Usisavač prašine uključiti i započeti sa usisavanjem.

Uređaj odmah nakon mokroga usisavanja odn. kada je spremnik pun, ugasiti.

UPOZORENJE: Ako snaga usisavanja slabi, usisavač odmah ugasiti i spremnik isprazniti.

Izmjenjivi akumulator odstraniti

Gumenu cijev držati okomito, kako u njoj sadržana tekućina ne bi mogla isticati u spremnik.

Kućište motora odstraniti a otpadnu vodu pravilno zbrinuti.

Unutrašnjost spremnika i usisavački pribor redovito čistiti, prije svega nakon usisavanja mokrog ili ljepljivog materijala. Za čišćenje uporabiti toplu sapunicu.

AUTOMATSKO ISKLJUČENJE USISAVANJA

Kod usisavanja tekućina se unutra ležeći plovlak sve više podiže sve dok ne postigne jednu brtvu na ulazu motora i dok se usisna snaga ne ugasi. Motor zatim radi s jednim povišenim tonom a usisna snaga se drastično smanjuje. U tome slučaju odmah ugasite usisavač. Ako uređaj ne ugasi, nakon što je plovlak postigao svoju gornju poziciju i usisna snaga slabi, motor se teško oštećuje. Prije ponovnog uključivanja uređaja ispraznite rezervoar otpadne vode.

UPOZORENJE: Ako se usisavač nehotice prevrne, može izgubiti na usisavačkoj snazi. U tome slučaju ugasi te usisavač i ponovno ga uspravite. Kroz to se i plovlak ponovno vraća na svoju normalnu poziciju.

BATERIJE

Baterije koje duže vremena nisu korištene, prije upotrebe napuniti.

Temperatura od preko 50°C smanjuje učinak baterija. Duže zagrijavanje od strane sunca ili grijanja izbjeći.

Priključne kontakte na uređaju za punjenje i baterijama držati čistima.

Za optimalni vijek trajanja se akumulatori poslije upotrebe moraju sasvim napuniti.

Za što moguće duži vijek trajanja, akumulatori se nakon punjenja moraju odstraniti iz punjača.

Kod skladištenja akumulatora duže od 30 dana:

Akumulator skladištiti na suhom kod ca. 27°C.

Akumulator skladištiti kod ca. 30%-50% stanja punjenja.

Akumulator ponovno napuniti svakih 6 mjeseci.

TRANSPORT LITIJSKIH IONSKIH BATERIJA

Litijske-ionske baterije spadaju pod zakonske odredbe u svezi transporta opasne robe.

Prijevoz ovih baterija mora uslijediti uz poštivanje lokalnih, nacionalnih i internacionalnih propisa i odredaba.

- Korisnici mogu bez ustručavanja ove baterije transportirati po cestama.
- Komercijalni transport litijsko-ionskih baterija od strane transportnih poduzeća spada pod odredbe o transportu opasne robe. Otpremničke pripreme i transport smiju izvoditi isključivo odgovarajuće školovane osobe. Kompletni proces se mora pratiti na stručan način.

Kod transporta baterija se moraju poštivati sljedeće točke:

- Uvjerite se da su kontakti zaštićeni i izolirani kako bi se izbjegli kratki spojevi.
- Pazite na to, da blok baterija unutar pakiranja ne može proklizavati.
- Oštećene ili iscurjele baterije se ne smiju transportirati.

U svezi ostalih uputa obratite se vašem prijevoznom poduzeću.

ODRŽAVANJE

Prijemiti samo Milwaukee opremu i rezervne dijelove. Sastavne dijelove, čija zamjena nije opisana, dati zamijeniti kod jedne od Milwaukee servisnih službi (poštivati brošuru Garancija/Adrese servisa).

Po potrebi se crtež pojedinih dijelova aparata uz navođenje podatka o tipu stroja i šestznamenastog broja na pločici snage može zatražiti kod vašeg servisa ili direktno kod Techtronic Industries GmbH, Max-Eyth-Straße 10, 71364 Winnenden, Njemačka.

SIMBOLI



PAŽNJA! UPOZORENIE! OPASNOST!



Prije svih radova na stroju izvaditi bateriju za zamjenu.



Molimo da pažljivo pročitate uputu o upotrebi prije puštanja u rad.



Električna zaštitna klasa III.



Elektrouređaji, baterije/akumulatori se ne smiju zbrinjavati skupa sa kućnim smećem. Električni uređaji/akumulatori se moraju skupljati odvojeno i predati na zbrinjavanje primjereno okolišu jednom od pogona za iskorišćavanje. Raspitajte se kod mjesnih vlasti ili kod stručnog trgovca u svezi gospodarstva za recikliranje i mjesta skupljanja.



Oznaka-CE



Nacionalni znak konformnosti Ukrajina



EurAsian znak konformnosti.

Izlaides numurs	4603 30 011... ...000001-999999
Gaisa plūsma.....	1300 l/min
Pazemināts spiediens.....	80 mbar
Tilpums:.....	7,5 l
Filtra laukums (Hepa).....	H13
Putekļusūcēja pieslēguma caurules diametrs	41 mm
Putekļusūcēja pieslēguma caurules	475 mm
Akumulātorā spriegums.....	18 V
Kopējais izmērs	31/21/43 cm
Svars atbilstoši EPTA -Procedure 01/2003	4,59 kg
Svars atbilstoši EPTA -Procedure 01/2003 (5,0 Ah).....	5,33 kg
Aizsardzības klase.....	IP54
Leteicamā vides temperatūra darba laikā.....	-18...+50 °C
Leteicamie akumulatoru tipi.....	M18B2, M18B4, M18B5, M18B6, M18B9
Leteicamās uzlādes ierīces	M12-18C, M12-18AC, M12-18FC, M1418C6

▲ BRĪDINĀJUMS! Izlasiet visus drošības brīdinājumus un instrukcijas. Šeit sniegto drošības noteikumu un norādījumu neievērošana var izraisīt aizdegšanos un būt par cēloni elektriskajam triecienam vai nopietnam savainojumam. **Pēc izlasīšanas uzglabājiet šos noteikumus turpmākai izmantošanai.**

▲ SPECIĀLIE DROŠĪBAS NOTEIKUMI

Vispār nedrīkst uzsūknēt nekādas viegli degošas vai eksplozīvas ķīmiskas šķīstvielas, tādus šķidrums kā benzīnu, eļļu, alkoholu, ķīmiskos šķīdinātāus un priekšmetus (metāla skaidas, pelnus), kuru temperatūra pārsniedz 60°C; eksplozijas un ugunsgrēka iespējamība.

Instrumentu nedrīkst lietot viegli degošu gāzu und citu ķīmisko vielu tuvumā.

Instrumentu, ieskaitot tā komplektācijas piederumus, nedrīkst ieslēgt, ja: var redzēt, ka tas ir defekts (piļsumi/lūzumi), ja ir defekts vai saplīsis, vai novecojis tīkla pieslēguma kabelis un ja pastāv aizdomas, ka instrumentam ir kāds apslēpts defekts (kas radies, piem. pēc nokrišanas).

Sprauslu, šūteni un cauruli nevērst pret cilvēkiem un dzīvniekiem.

Ja izplūst putas vai ūdens, instrumentu nekavējoties izslēgt. Trauku un attiec. filtru uztukot.

Skābe, acetons un ķīmiskās šķīdinātājvielas var sabojāt detaļas.

Ja instrumentu lieto tam nepiemērotā veidā, nepareizi ekspluatē vai nodod remontēt neprofesionālim, netiek pārņemta nekāda atbildība par iespējamiem bojājumiem.

Izmantot tikai veselībai kaitīgu putekļu nosūknēšanai.

Nav piemērots stipri putojoša šķidrums uzsūknēšanai.

Pirms mašīnai veikt jebkāda veida apkopes darbus, ir jāizņem ārā akumulātors.

Izmantotos akumulārus nedrīkst mest ugunī vai parastajos atkritumos. Firma Milwaukee piedāvā iespēju vecos akumulātorus savākt apkārtējo vidi saudzējošā veidā; jautājiet specializētā veikalā.

Akumulātorus nav ieteicams glabāt kopā ar metāla priekšmetiem (iespējams īsslēgums).

M18 sistēmas akumulātorus lādēt tikai ar M18 sistēmas lādētājiem. Nedrīkst lādēt citus akumulātorus no citām sistēmām.

Pie ārkārtas slodzes un ārkārtas temperatūrām no bojātā akumulātorā var iztect akumulātorā šķidrums. Ja nonākat saskarsmē ar akumulātorā šķidrumu, saskarsmes vieta nekavējoties jānomazgā ar ūdeni un ziepēm. Ja šķidrums nonācis acīs, acis vismaz 10 min. skalot un nekavējoties konsultēties ar ārstu.

Brīdinājums! Lai novērstu īssavienojuma izraisītu aizdegšanās, savainojumu vai produkta bojājuma risku, neiegremdējiet instrumentu, maināmo akumulatoru vai uzlādes ierīci šķidrums un rūpējieties par to, lai ierīcēs un

akumulātoros neiekļūtu šķidrums. Koroziju izraisoši vai vadītspējīgi šķidrums, piemēram, sālsūdens, noteiktas ķīmikālijas, balinātāji vai produkti, kas satur balinātājus, var izraisīt īssavienojumu.

Šo ierīci nedrīkst lietot un tīrīt personas ar samazinātām fiziskām, sensorām vai garīgām spējām vai kam ir nepietiekama pieredze un zināšanas, izņemot, ja drošu apiešanos ar ierīci ir apmācījusi par viņu drošību juridiski atbildīga persona. Šīs personas ir jāuzrauga, kad tās rīkojas ar ierīci. Ar šo ierīci nedrīkst rīkoties bērni. Tādēļ laikā, kad ierīce netiek izmantota, tā jāglabā drošā, bērniem nepieejamā vietā.

Turiet matus, vaļīgu apģērbu, pirkstus un visas ķermeņa daļas atstatu no atverēm un darbīgām daļām. Neievietojiet nekādus priekšmetus atverēs un nelietojiet iekārtu, ja kāda tās atvere ir aizsprostota. Uzturiet atveres tīras no putekļiem, plūksnām, matiem un jebkā cita, kas varētu samazināt gaisa plūsmu.

Nelietojiet ārpus telpām zemā temperatūrā.

Nelietojiet uzliesmojošu vai degošu šķidrumu, piemēram, benzīna

uzsūkšanai, vai neizmantojiet vietās, kur iespējama tā klātbūtne.

Neuzsūciet neko, kas deg vai dūmo, piemēram, cigaretes, sērkokčiņus vai karstus pelnus.

Ievērojiet īpašu piesardzību, veicot tīrīšanu uz kāpnēm.

Nelietojiet bez uzstādītiem filtriem.

Ja iekārta nedarbojas pareizi vai ir nomesta zemē, bojāta, atstāta ārpus telpām vai iekritusi ūdenī, nododiet to apkalpošanas centrā vai izplatītājam.

Ja no iekārtas sūcas putas vai šķidrums, nekavējoties to izslēdziet.

Iekārtu nedrīkst izmantot kā ūdens sūkni. Iekārta ir paredzēta gaisa un ūdens maisījumu uzsūkšanai.

Nodrošiniet labu ventilāciju darba vietā.

Neizmantojiet iekārtu kā kāpnis vai pakāpienu. Iekārta var apgāzties un tikt sabojāta. Traumu gūšanas risks.

Bīstamie materiāli.

Bīstamu materiālu uzsūkšana var radīt smagas vai pat letālas fiziskas traumas.

Ar šo iekārtu nedrīkst uzņemt šādus materiālus:

- karstus materiālus (degošas cigaretes, karstus pelnus u. tml.);
- uzliesmojošus, sprādzienbīstamus, agresīvus šķidrumus (piem., petroleju, šķīdinātājus, skābes, sārmus u. tml.);

- uzliesmojošus, sprādzienbīstamus putekļus (piem., magnija vai alumīnija putekļi u. tml.).

NOTEIKUMIEM ATBILSTOŠS IZMANTOJUMS

Instrumenti ir piemēroti sekojošu darbu veikšanai: netoksisku putekļu un nedeģošu šķidrumu nosūkšanai, mazgājamā un netīrā ūdens uzsūkšanai, notekcauruļu izpumpēšanai, tīrīšanai uz vietām (būvniecības objektos, darbavietā u.c.).

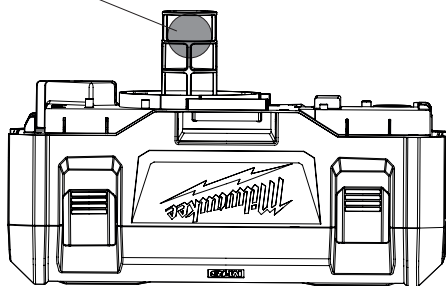
Šo instrumentu drīkst izmantot tikai saskaņā ar minētajiem lietošanas noteikumiem.

PUTEKLŠŪCĒJA SLAPJTĪRES REŽĪMS

Izņemiet VISUS netīrumu atlikumus no tvertnes.

Izņemiet filtru. Pārīecinieties, ka pludiņa korpusa paliek vietā.

Pludiņa korpusa



Ieslēdziet puteklšūcēju un sāciet sūkšanu.

Izslēdziet ierīci uzreiz pēc slapjtīres pabeigšanas vai pilnas tvertnes gadījumā.

NORĀDĪJUMS: Ja sūkšanas jauda samazinās, uzreiz izslēdziet puteklšūcēju un iztukšojiet tvertni.

Izņemiet maināmo akumulatoru.

Turiet šļūteni vertikāli, lai tur esošais šķidrums varētu ietecēt tvertnē.

Noņemiet dzinēja korpusu un utilizējiet netīro ūdeni atbilstīgi noteikumiem.

Regulāri tīriet tvertnes iekšpusi un sūkšanas piederumus, it īpaši pēc slapja vai lipīga materiāla uzsūkšanas. Tīrīšanai izmantojiet siltu ziepjūdeni.

AUTOMĀTISKA SŪKŠANAS ATSLĒGŠANA

Uzsūcot šķidrumu, iekšpusē esošais pludiņš kāpj arvien augstāk, līdz sasniedz pie dzinēja ieejas esošu blīvi un sūkspēja tiek izslēgta. Dzinējs tad darbojas ar augstāku toni, un sūkšanas jauda tiek drastiski samazināta. Šādā gadījumā nekavējoties izslēdziet puteklšūcēju. Ja jūs neizslēdzat ierīci pēc tam, kad pludiņš ir sasniedzis savu augstāko pozīciju un sūkspēja samazinās, dzinējs tiek smagi bojāts. Pirms ierīces atkārtotas ieslēgšanas iztukšojiet netīrā ūdens tvertni.

NORĀDĪJUMS: Ja puteklšūcējs neaušai apgāžas, var samazināties sūkšanas jauda. Šādā gadījumā izslēdziet puteklšūcēju un paceliet to atpakaļ. Tādējādi arī pludiņš atgriežas savā normālajā pozīcijā.

AKUMULĀTORI

Akumulātori, kas ilgāku laiku nav izmantoti, pirms lietošanas jāuzlādē.

Pie temperatūras, kas pārsniedz 50°C, akumulātoru darbspēja tiek negatīvi ietekmēta. Vajag izvairīties no ilgākas saules un karstuma iedarbības.

Lādētāja un akumulatoru pievienojuma kontakti jāuztur tīri.

Lai baterijas darba ilgums būtu optimāls, pēc iekārtas izmantošanas tā jāuzlādē.

Lai akumulatori kalpotu pēc iespējas ilgāku laiku, tos pēc uzlādes ieteicams atvienot no lādētāj ierīces.

Akumulatora uzglabāšana ilgāk kā 30 dienas: uzglabāt akumulatoru pie aptuveni 27° C un sausā vietā. Uzglabāt akumulatoru uzlādes stāvoklī aptuveni pie 30%-50%. Uzlādēt akumulatoru visus 6 mēnešus no jauna.

LITĪJA JONU AKUMULATORU TRANSPORTĒŠANA

Uz litija jonu akumulatoriem attiecas noteikumi par bīstamo kravu pārvadāšanu.

Šo akumulatoru transportēšana jāveic saskaņā ar vietējiem, valsts un starptautiskajiem normatīvajiem aktiem un noteikumiem.

- Patērētāja darbības, pārvadājot šos akumulatorus pa autoceļiem, nav reglamentētas.
- Uz litija jonu akumulatoru komerciālu transportēšanu, ko veic ekspedīcijas uzņēmums, attiecas bīstamo kravu pārvadāšanas noteikumi. Sagatavošanas darbus un transportēšanu drīkst veikt tikai atbilstoši apmācīts personāls. Viss process jāvada profesionāli.

Veicot akumulatoru transportēšanu, jāievēro:

- Pārliedzinieties, ka kontakti ir aizsargāti un izolēti, lai izvairītos no īssavienojumiem.
- Pārliedzinieties, ka akumulators iepakojumā nevar paslīdēt.
- Bojātus vai tekošus akumulatorus nedrīkst transportēt.

Plašāku informāciju Jūs varat saņemt no ekspedīcijas uzņēmuma.

APKOPE

Izmantojiet tikai firmu Milwaukee piederumus un firmas rezerves daļas. Lieciet nomaiņīt detaļas, kuru nomaiņa nav aprakstīta, kādā no firmu Milwaukee klientu apkalpošanas servisiem. (Skat. brošūru "Garantija/klientu apkalpošanas serviss".)

Pēc pieprasījuma, Jūsu Klientu apkalpošanas centrā vai pie Technotronic Industries GmbH, Max-Eyth-Straße 10, 71364 Winnenden, Vācijā, ir iespējams saņemt iekārtas montāžas rasējumu, iepriekš norādot iekārtas modeli un sērijas numuru, kas atrodas uz datu plāksnītes un sastāv no sešiem simboliem.

SIMBOLI



UZMANĪBU! BĪSTAMI!



Pirms mašīnai veikt jebkāda veida apkopes darbus, ir jāizņem ārā akumulators.



Pirms sākt lietot instrumentu, lūdzu, izlasiet lietošanas pamācību.



Elektriskā aizsardzības klase III.



Elektriskus aparātus, baterijas/akumulatorus nedrīkst utilizēt kopā ar mājtsaimniecības atkritumiem.

Elektriski aparāti un akumulatori ir jāsavāc atsevišķi un jānodod atkritumu pārstrādes uzņēmumā videi saudzīgai utilizācijai. Jautājiet vietējā iestādē vai savam specializētajam tirgotājam, kur atrodas atkritumu pārstrādes uzņēmumi vai savākšanas punkti.



CE marķējums



Ukrainas nacionālais atbilstības simbols.



EurAsian atbilstības marķējums.

Produkto numeris	4603 30 01...
	...000001-999999
Oro srovė.....	1300 l/min
manometrinis slėgis.....	80 mbar
Talpa:.....	7,5 l
Filtrų plotas (Hepa).....	H13
Siurbimo žarnos skersmuo.....	41 mm
Siurbimo žarnos.....	475 mm
Keičiamo akumulatoriaus įtampa.....	18 V
Bendri matmenys.....	312/143 cm
Prietaiso svoris įvertintas pagal EPTA 2003/01 tyrimų metodiką.....	4,59 kg
Prietaiso svoris įvertintas pagal EPTA 2003/01 tyrimų metodiką (5,0 Ah).....	5,33 kg
Apsaugos klasė.....	IP54
Rekomenduojama aplinkos temperatūra dirbant.....	-18...+50 °C
Rekomenduojami akumuliatorių tipai.....	M18B2, M18B4, M18B5, M18B6, M18B9
Rekomenduojami įkrovikliai.....	M12-18C, M12-18AC, M12-18FC, M1418C6

⚠ ĮSPĖJIMAS! Perskaitykite visus saugos nurodymus ir instrukcijas. Jei nepaisysite žemiau pateiktų saugos nuorodų ir reikalavimų, gali trenkti elektros smūgis, kilti gaisras ir/arba galite sunkiai susižaloti arba sužaloti kitus asmenis.
Išsaugokite šias saugos nuorodas ir reikalavimus, kad ir ateityje galėtumėte jais pasinaudoti.

⚠ YPATINGOS SAUGUMO NUORODOS

Draudžiama siurbti degius ir sprogius tirpiklius, tokius skysčius kaip benziną, alyvą, alkoholį, skiediklius, bei daiktus (metalo drožies, pelenus), karštesnius nei 60 °C, nes tai kelia gaisro ir sprogiemo pavojų!

Prietaisą naudoti netoli degių dujų ir medžiagų draudžiama.

Nenaudokite prietaiso ir jo priedų, jei prietaise matomi aiškūs pažeidimai (itrūkimai/lūžiai), yra sugedęs, įtrūkęs ar pasenęs matinimo laidas, kyla įtarimas, kad yra nematomų pažeidimų (nukritus).

Antgalio, žarnos ir vamzdžio nekreipkite į žmones ar gyvūnus.

Pasirodžius vandeniui arba putoms, tuoj pat išjunkite. Ištuštinkite konteinerį ir, jei reikia, filtrą.

Rūgštys, acetonas ir tirpikliai gali pragrauzti prietaiso dalis.

Mes neatsakome už galimą žalą, kilusią dėl naudojimo ne pagal paskirtį, neteisingo aptarnavimo ar nekvalifikuoto taisymo.

Naudoti kenksmingų sveikatai dulkių siurbimui draudžiama.

Netinka stipriai putojančių skysčių susiurbimui.

Prieš atlikdami bet kokius darbus įrenginyje, išimkite keičiamą akumuliatorių.

Sunaudotų keičiamų akumuliatorių nedeginkite ir nemeskite į buitines atliekas. „Milwaukee“ siūlo tausojantį aplinką sudėvėtų keičiamų akumuliatorių tvarkymą, apie tai prekybos atstovo.

Keičiamų akumuliatorių nelaikykite kartu su metaliniais daiktais (trumpojo jungimo pavojus).

Keičiamus M18 sistemos akumuliatorius kraukite tik „C18“ sistemos įkrovikliais. Nekraukite kitų sistemų akumuliatorių.

Ekstremalių apkrovų arba ekstremalios temperatūros poveikyje iš keičiamų akumuliatorių gali ištekėti akumulatoriaus skysčiai. Išsitiesus akumulatoriaus skysčiu, tuoj pat nuplaukite vandeniu su muilu. Patekus į akis, tuoj pat ne trumpiau kaip 10 minučių gausiai skalaukite vandeniu ir tuoj pat kreipkitės į gydytoją.

Įspėjimas! Siekdami išvengti trumpojo jungimo sukeltą gaisro pavojų, sužalojimų arba produkto pažeidimų, neikiškite įrankio, keičiamo akumulatoriaus arba įkroviklio į skysčius ir pasirūpinkite, kad į prietaisus arba akumuliatorius nepatektų jokių skysčių. Koroziją sukeliantys arba laidūs skysčiai, pvz., sūrus vanduo, tam tikri chemikalai ir balikliai arba produktai, kurių sudėtyje yra baliklių, gali sukelti trumpąjį jungimą.

Šio prietaiso naudoti arba valyti negali asmenys, turintys fizinę, jutiminę arba dvasinę negalią arba neturintys patirties ir žinių, nebent atsakingas asmuo juos išmokytų saugiai elgtis su prietaisu. Išvardytus asmenis būtina prižiūrėti, kai jie naudojasi prietaisu. Prietaisu negali naudotis vaikai. Prietaisu nesinaudojant jį būtina laikyti saugioje ir vaikams nepasiekiamoje vietoje.

Saugokite plaukus, palaidus drabužius, pirštus ir kitas kūno dalis, kad nepakliūtų į įrenginio angas ir judančias dalis. Nekiškite į angas jokių daiktų ir žiūrėkite, kad naudojant įrenginį jo angos nebūtų užkimštos. Prižiūrėkite angas, kad jose nesikauptų dulkės, pūkai, plaukai ir kitos oro srautą mažinančios kliūtys.

Nenaudokite lauke, esant žemai temperatūrai.

Nesiurbkite lengvai užsiliepsnojančių arba degių skysčių, pavyzdžiui, benzino, ir nenaudokite įrenginio aplinkoje, kurioje gali būti tokių skysčių.

Nesiurbkite degančių arba rūkstančių šiukšlių, pavyzdžiui,

cigarečių, degtukų arba karštų pelenų.

Siurbdami laiptus būkite ypač atsargūs.

Nenaudokite įrenginio, jei jame nėra filtrų.

Jei įrenginys deramai neveikia arba buvo numestas, sugedęs, paliktas lauke arba panardintas į vandenį, gražinkite jį į techninės priežiūros centrą arba pardavėjų.

Jeigu iš įrenginio išbėga putų ar skysčio, nedelsdami jį išjunkite.

Draudžiama šį įrenginį naudoti vietoje vandens siurblio. Šis įrenginys skirtas siurbti vandens ir oro mišinį.

Gerai vėdinkite darbo vietą.

Nenaudokite įrenginio vietoje kopėčių ar pakylas. Parvirkęs įrenginys gali būti apgadintas. Kyla pavojus susižeisti.

Pavojingos medžiagos.

Siurbdami pavojingas medžiagas galite sunkiai ar net mirtinai susižaloti.

Draudžiama įrenginiu siurbti toliau nurodomas medžiagas:

- įkaitusias medžiagas (degančias cigaretes, karštus pelenus ir pan.)
- degius, sprogius, agresyviai veikiančius skysčius (pvz., benzina, tirpiklius, rūgštis, šarmus ir pan.)
- degias, sprogias dulkes (pvz., magnio arba aliuminio dulkes ir pan.)

NAUDOJIMAS PAGAL PASKIRTĮ

Prietaisas tinka šiems darbams: nenuodingų dulkių ir nedegių skysčių nusiurbimui, valymo ir plovimo vandens susiurbimui, užsikimšusių nuotekų kanalų prasiurbimui, galutiniam valymui (statybvietės, darbo vietos ir t.t.).

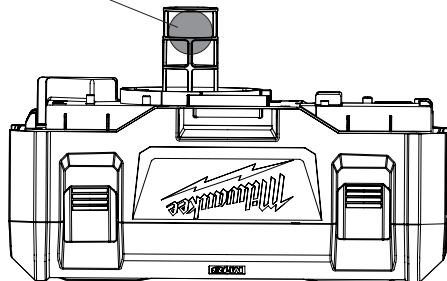
Šį prietaisą leidžiama naudoti tik pagal nurodytą paskirtį.

ŠLAPIO VALYMO REŽIMAS

Pašalinkite iš konteinerio VISUS nešvarumų likučius.

Išimkite filtrą. Pasirūpinkite, kad plūdės kameros korpusas liktų savo vietoje.

Plūdės kameros korpusas



Įjunkite dulkių siurblių ir pradėkite siurbti.

Po šlapio valymo arba jei konteineris yra pilnas, nedelsdami išjunkite prietaisą.

NURODYMAS: Jei sumažėjo siurbimo galia, nedelsdami išjunkite dulkių siurblių ir ištuštinkite konteinerį.

Išimkite keičiamą akumuliatorių.

Žarną laikykite vertikaliai, kad jame esantis skystis galėtų subėgti į konteinerį.

Nuimkite variklio korpusą ir tvarkingai pašalinkite nešvarų vandenį.

Reguliariai valykite konteinerio vidų ir siurblio priedus, o ypač po šlapių arba lipnių medžiagų siurbimo. Valymui naudokite šiltą muiluotą vandenį.

AUTOMATINIS SIURBLIO IŠSIJUNGIMAS

Siurbiant skysčius viduje esanti plūdė vis kyla į viršų, kol pasiekia variklio įėjimo tarpiklį ir taip išsijungia siurbimo jėga. Tada variklis garšiau veikia, o siurbimo galia stipriai sumažėja. Tokiu atveju nedelsdami išjunkite dulkių siurblių. Jei prietaiso neišjungsitės po to, kai plūdė pasiekia aukščiausią poziciją, o siurbimo galia sumažėja, bus stipriai pažeistas variklis. Prieš vėl pradėdami naudoti prietaisą ištuštinkite nešvaraus vandens konteinerį.

NURODYMAS: Jei dulkių siurblys atsitiktinai apvirtus, jis gali prarasti siurbimo galią. Tokiu atveju dulkių siurblių išjunkite ir vėl pastatykite. Taip plūdė vėl sugrįš į savo normalią poziciją.

AKUMULIATORIAI

Ilgesnį laiką nenaudotus keičiamus akumuliatorius prieš naudojimą įkraukite.

Aukštesnė nei 50°C temperatūra mažina keičiamų akumuliatorių galią. Venkite ilgesnio saulės ar šilumos šaltinių poveikio.

Įkroviklio ir keičiamo akumuliatoriaus jungiamieji kontaktai visada turi būti švarūs.

Kad prietaisas kuo ilgiau veiktų, pasinaudoję juo, iki galo įkraukite akumuliatorius.

Siekiant užtikrinti kuo ilgesnį baterijos tarnavimo laiką, reikėtų ją po atlikto įkrovimo iškart išimti iš įkroviklio.

Bateriją laikant ilgiau nei 30 dienų, būtina atkreipti dėmesį į šias nuorodas: bateriją laikyti sausoje aplinkoje, esant apie 27 °C temperatūrai. Baterijos įkrovimo lygis turi būti nuo 30% iki 50%. Baterija pakartotinai turi būti įkraunama kas 6 mėnesius.

LIČIO JONŲ AKUMULIATORIŲ PERVEŽIMAS

Ličio jonų akumuliatoriams taikomos įstatyminės nuostatos dėl pavojingų krovinių pervežimų.

Šiuos akumulatorius pervežti būtina laikantis vietinių, nacionalinių ir tarptautinių direktyvų ir nuostatų.

- Naudotojai šiuos akumulatorius gali naudoti savo transporte be jokių kitų sąlygų.
- Už komercinį ličio jonų akumuliatorių pervežimą atsako ekspedicijos įmonė pagal nuostatas dėl pavojingų krovinių pervežimo. Pasiruošimo išsiųsti ir pervežimo darbus gali atlikti tik atitinkamai išmokyti asmenys. Visas procesas privalo būti prižiūrimas.

Pervežant akumulatorius būtina laikytis šių punktų:

- Siekiant išvengti trumpųjų jungimų, įsitikinkite, kad kontaktai yra apsaugoti ir izoliuoti.
- Atkreipkite dėmesį, kad akumulatorius pakuotės viduje neslidinėtų.
- Draudžiama pervežti pažeistus arba tekančius akumulatorius.

Dėl detalesnių nurodymų kreipkitės į savo ekspedicijos įmonę.

TECHNINIS APTARNAVIMAS

Naudokite tik Milwaukee priedus ir atsargines dalis. Dalis, kurių keitimas neaprašytas, leidžiama keisti tik Milwaukee klientų aptarnavimo skyriams (žr. garantiją/klientų aptarnavimo skyrių adresus brošiūroje).

Esant poreikiui, nurodžius mašinos modelį ir šešiaženklį numerį, esantį ant specifikacijų lentelės, klientų aptarnavimo centre arba tiesiogiai „Techtronic Industries GmbH“, Max-Eyth-Str. 10, 71364 Winnenden, Vokietija, galite užsakyti išplėstinį prietaiso brėžinį.

SIMBOLIAI



DĖMESIO! ĮSPĖJIMAS! PAVOJUS!



Prieš atlikdami bet kokius darbus įrenginyje, išimkite keičiamą akumuliatorių.



Prieš pradėdami dirbti su prietaisu, atidžiai perskaitykite jo naudojimo instrukciją.



Elektros įrenginių saugos klasė III.



Elektros prietaisų, baterijų/akumuliatorių šalinti kartu su buitinėmis atliekomis negalima. Elektros prietaisus ir akumulatorius reikia surinkti atskirai ir atiduoti perdirbimo įmonei, kad būtų pašalinti aplinkai saugiu būdu. Vietos valdžios institucijose arba specializuotose prekybos vietose pasidomėkite apie perdirbimo ir surinkimo centrus.



CE ženklas



Nacionalinė atitikties žyma Ukrainoje

TR 066



„EurAsian“ atitikties ženklas.

Tootmisnumber.....	4603 30 01... ...000001-999999
Õhuvool.....	1300 l/min
Alarõhk.....	80 mbar
Mahutavus.....	7,5 l
Filterpind (Hepa).....	H13
Imivooliku läbimõõt.....	41 mm
Imivooliku.....	475 mm
Vahetatava aku pinge.....	18 V
Üldmõõtmised.....	31/21/43 cm
Kaal vastavalt EPTA-protseduurile 01/2003.....	4,59 kg
Kaal vastavalt EPTA-protseduurile 01/2003 (5,0 Ah).....	5,33 kg
Kaitseklass.....	IP54
Soovituslik ümbritsev temperatuur töötamise ajal.....	-18...+50 °C
Soovituslikud akutüübid.....	M18B2, M18B4, M18B5, M18B6, M18B9
Soovituslik laadija.....	M12-18C, M12-18AC, M12-18FC, M1418C6

A HOIATUS! Lugege kõiki ohutusjuhiseid ja korraldusi.

Ohutusnõuete ja juhiste eiramise tagajärjeks võib olla elektrilöök, tulekahju ja/või rasked vigastused.

Hoidke kõik ohutusnõuded ja juhised edasiseks kasutamiseks hoolikalt alles.

A SPETSIAALSED TURVAJUHISED

Põhimõtteliselt ei tohi imada tuleohtlikke ega plahvatusohtlikke lahusteid ning vedelikke, nagu bensiin, õli, alkohol, vedeldid, samuti ei tohi imeda osi (metall-laaste, tuhka) temperatuuriga üle 60 °C; muidu püsib plahvatus- ja tuleoht!

Seadet ei tohi kasutada süttivate gaaside ja ainete lähedal.

Ärge laske seadmeid, kaasa arvatud tarvikuid, käiku järgmistel juhtudel: kui seadmel on näha äratuntavaid kahjustusi (pragusid / rebendeid), kui võrguühendusjuhtmel on defekte, kui on näha pragude teket või materjali väsimist, kui on nähtamatu defekti kahtlus (pärast mahakukkumist).

Ärge suunake düüsi, voolikut ega toru inimestele ega loomadele.

Vahu või vee väljaimbumise korral lülitage seade kohe välja. Tühjendage mahuti ning vajaduse korral voldiline filter.

Hape, atsetoon ja lahustid võivad seadme osi söövitada.

Vääraaks otstarbeks kasutamise, mitteamasjakohtase käitamise või asjatundmatu parandamise korral ei võeta vastutust võimalike kahjustuste eest.

Ärge kasutage tervistkahjustava tolmu äraimamiseks.

Ei sobi tugevalt vahutavate vedelike imamiseks.

Enne kõiki töid masina kallal võtke vahetatav aku välja.

Ärge visake tarvitatud vahetatavaid akusid tulle ega olimeprügisse. Milwaukee pakub vanade akude keskkonnahoidlikku käitlust; palun küsige oma erialaselt tarnijalt.

Ärge säilitage vahetatavaid akusid koos metalliesemetega (lühiseoht).

Laadige süsteemi M18 vahetatavaid akusid ainult süsteemi M18 laadijatega. Ärge laadige nendega teiste süsteemide akusid.

Äärmuslikul koormusel või äärmuslikul temperatuuril võib kahjustatud vahetatavast akust akuveelik välja voolata. Akuveelikuga kokkupuutumise korral peske kohe vee ja seebiga. Silma sattumise korral loputage kiiresti põhjalikult vähemalt 10 minutit ning pöörduge viivitamatult arsti poole.

Hoiatus! Lühisest põhjustatud tuleohtu, vigastuste või toote kahjustuste vältimiseks ärge kastke tööriista, vahetusakut ega laadimiseadet vedelikku ning jälgige, et vedelikke ei tungiks seadmetesse ega akusse. Korrodeeruvad või elektrit juhtivad vedelikud, nagu soolvesi, teatud kemikaalid ja pleegitusained või pleegitusaineid sisaldavad tooted, võivad põhjustada lühisid.

Antud seadet ei tohi käsitseda või puhastada piiratud füüsiliste, sensoorsete või vaimsete võimete, puudulike kogemuste või teadmistega isikud, välja arvatud juhul, kui neid instrueeriti nende ohutuse eest vastutava isiku poolt seadmega ohutus ümberkäimises. Ülalnimetatud isikuid tuleb seadme kasutamisel jälgida. Seade ei kuulu laste kätte. Mittekasutuse korral tuleb seda kindlalt ja lastele kättesaamatult alal hoida.

Hoidke juuksed, avarad riided, sõrmed ja muud kehaosad eemal avaustest ja liikuvaatest osadest. Ärge pange avadesse mingeid esemeid ega kasutage masinat, kui mõni ava on blokeeritud. Hoidke avad puhtad tolmust, kiududest, juuksekarvadest ja muust, mis võiks õhuvoolu takistada.

Ärge kasutage madala temperatuuriga välitingimustes.

Ärge kasutage tuleohtlike ja kergestisüttivate vedelike kogumiseks, nagu nt bensiin, ega kohtades, kus selliseid vedelikke võib leiduda.

Ärge koguge masinaga põlevaid ega suitsevaid materjale, nt sigarette, tikke või kuuma tuhka.

Treppide puhastamisel olge eriti ettevaatlik.

Masinat tohib kasutada ainult juhul, kui on paigaldatud filtrid.

Kui masin ei tööta korralikult või see on maha kukkunud, katki, õue jäänud või vette kukkunud, saatke see teeninduskeskusesse või edasimüüja juurde hooldusse.

Kui masinast väljub vahtu või vedelikku, lülitage see kohe välja.

Masinat ei tohi kasutada veepumbana. Masin on ettenähtud õhu ja vee segude imamiseks.

Tagage töökohas piisav ventilatsioon.

Ärge kasutage masinat redeli või treppredelina. Masin võib ümber minna ja saada kahjustusi.

Vigastuste saamise oht.

Ohtlikud materjalid.

Ohtlike materjalide imamine võib põhjustada tõsiseid või isegi surmavaid vigastusi.

Alljärgnevat materjale ei ole masinaga lubatud koguda:

- kuumad ained (põlevad sigaretid, kuum tuhk jne)
- süttimisohtlikud, plahvatusohtlikud, agressiivsed vedelikud (nt bensiin, lahustid, happed, alused jne)
- süttimisohtlik, plahvatusohtlik tolm (nt magneesiumi või alumiiniumi tolm jne)

KASUTAMINE VASTAVALT OTSTARBELE

Seade sobib järgmisteks töödeks: toksilise tolmu ja mittepõleva vedeliku ärimeemiseks, puhastus- või reovee imamiseks, ummistunud äravoolude lahti imamiseks, (ehitusplatsi, töökoha jne) kohapealseks lõplikuks puhastamiseks.

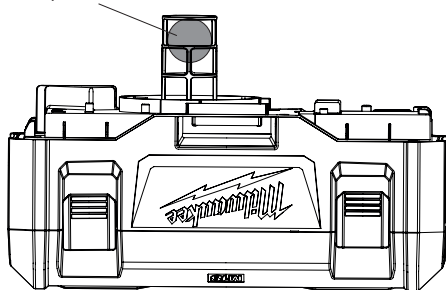
Antud seadet tohib kasutada ainult vastavalt äranäidatud otstarbele.

MÄRGIMISREŽIIM

Eemaldage paagist kõik mustuse jäägid.

Eemaldage filter. Veenduge, et ujuki korpus jääb oma kohale.

Ujuki korpus



Lülitage tolmuimeja sisse ja alustage imemisega.

Lülitage masin kohe pärast märgimist või paagi täitumist välja.

MÄRKUS: Kui imemistugevus nõrgeneb, lülitage tolmuimeja viivitamatult välja ja tühjendage paak.

Eemaldage asendusaku.

Hoidke voolikut püstises asendis, et vedelik selle sees saab paagist välja voolata.

Eemaldage mootori korpus ja kõrvaldage reovesi ettenähtud viisil.

Puhastage paagi sisemust ja imemistarvikuid korrapäraselt, eelkõige pärast märja ja kleepuva aine sisseimemist. Kasutage puhastamiseks sooja seebivett.

AUTOMAATNE IMEMISE VÄLJALÜLITUS

Vedelike sisseimemisel tõuseb sees asuv ujuk üha kõrgemale, kuni see ulatub mootori sisendi tihendini ning imemisvõimsus lülitatakse välja. Mootor töötab sel juhul kõrgendatud heliga ja imemistõhusus väheneb märkimisväärselt. Sellisel juhul lülitage tolmuimeja viivitamatult välja. Kui te seadet ei lülita kohe pärast seda välja, kui ujuk on jõudnud oma ülemisse asendisse ja imemistõhusus alaneb, saab mootor raskesti kahjustada. Enne masina uuesti sisselülitamist tühjendage reoveepaak.

MÄRKUS: Kui tolmuimeja peaks kogemata ümber kukkuma, võib tema imemistõhusus langeda. Sellisel juhul lülitage tolmuimeja välja ja tõstke see uuesti üles. See aitab ka ujukil minna tagasi oma tavapärasesse asendisse.

AKUD

Pikemat aega mittekasutatud akusid laadige veel enne kasutamist.

Temperatuur üle 50 °C vähendab vahetatava aku töövõimet. Vältige pikemat soojenemist päikese või kütteseadme mõjul.

Hoidke laadija ja vahetatava aku ühenduskontaktid puhtad.

Optimaalse patarei eluaega tagamiseks, pärast kasutamist lae patareiplokk täielikult.

Akud tuleks võimalikult pika kasutusea saavutamiseks pärast täislaadimist laadijast välja võtta.

Aku ladustamisel üle 30 päeva:
Ladustage akut kuivas kohas u 27°C juures.
Ladustage akut u 30-50% laetusseisundis.
Laadige aku iga 6 kuu tagant täis.



Ukraina riiklik vastavusmärk

Euraasia vastavusmärk.

LIITIUMIOONAKUDE TRANSPORTIMINE

Liitiumioonakud on allutatud ohtlike ainete transportimisega seonduvatele õigusaktidele.

Nende akude transportimine peab toimuma kohalikest, siseriiklikest ja rahvusvahelistest eeskirjadest ning määrustest kinni pidades.

- Tarbijad tohivad neid akusid edasiste piiranguteta tänaval transportida.
- Liitiumioonakude komertstransport ekspedeerimisettevõtete kaudu on allutatud ohtlike ainete transportimisega seonduvatele õigusaktidele. Tarneettevalmistusi ja transporti tohivad teostada eranditult vastavalt koolitatud isikud. Kogu protsessi tuleb asjatundlikult jälgida.

Akude transportimisel tuleb järgida järgmisi punkte:

- Tehke kindlaks, et kontaktid on lühiste vältimiseks kaitstud ja isoleeritud.
- Pöörake tähelepanu sellele, et akupakk ei saaks pakendis nihkuda.
- Kahjustatud või välja voolanud akusid ei tohi kasutada.

Pöörduge edasiste juhiste saamiseks ekspedeerimisettevõtte poole.

HOOLDUS

Kasutage ainult Milwaukee tarvikuid ja tagavaraosi. Detailid, mille väljavahetamist pole kirjeldatud, laske välja vahetada Milwaukee klienditeeninduspunktis (vaadake brošüüri garantii / klienditeeninduste aadressid).

Vajadusel saab nõuda seadme plahvatusjoonise võimsussildil oleva masinatüübi ja kuuekohalise numbril alusel klienditeeninduspunkti või vahetult firmalt Techtronic Industries GmbH, Max-Eyth-Straße 10, 71364 Winnenden, Germany.

SÜMBOLID



ETTEVAATUST! TÄHELEPANU! OHUD!



Enne kõiki töid masina kallal võtke vahetatav aku välja.



Palun lugege enne käikulaskmist kasutamisyhend hoolikalt läbi.



Elektrivoolu kaitseklass III.



Elektriseadmeid, patareisid/akusid ei tohi utiliseerida koos majapidamisprügiga.

Elektriseadmed ja akud tuleb eraldi kokku koguda ning kõrvaldada keskkonnasõbralikul moel töötlemiskeskusesse. Küsige infot jäätmekäitlusjaamade ja kogumispunktide kohta oma kohalike ametnike või edasimüüja käest.



CE-märk

Серийный номер изделия	4603 30 01...
	...000001-999999
Расход воздуха	1300 l/min
Вакуум	80 mbar
Объем	7,5 l
Поверхность фильтра (Нера)	H13
Диаметр шланга пылесоса	41 mm
Шланга пылесоса	475 mm
Вольтаж аккумулятора	18 V
Габаритные размеры	31/21/43 cm
Вес согласно процедуре EPTA 01/2003	4,59 kg
Вес согласно процедуре EPTA 01/2003 (5,0 Ah)	5,33 kg
Класс защиты	IP54
Рекомендованная температура окружающей среды во время работы	-18...+50 °C
Рекомендованные типы аккумуляторных блоков	M18B2, M18B4, M18B5, M18B6, M18B9
Рекомендованные зарядные устройства	M12-18C, M12-18AC, M12-18FC, M1418C6

⚠ ПРЕДУПРЕЖДЕНИЕ! Прочтите все указания по безопасности и инструкции. Упущения, допущенные при не соблюдении указаний и инструкций по технике безопасности, могут стать причиной электрического поражения, пожара и тяжелых травм.
Сохраняйте эти инструкции и указания для будущего использования.

⚠ РЕКОМЕНДАЦИИ ПО ТЕХНИКЕ БЕЗОПАСНОСТИ

Никогда не засасывайте в машину какие-либо воспламеняющиеся или взрывоопасные растворители или жидкости, такие как бензин, масло, спирт, растворители или маленькие металлические кусочки или пепел, температура которых может быть выше 60°C, так как в таком случае есть вероятность взрыва или загорания!

Запрещено использование инструмента вблизи легковоспламеняющихся материалов и огнеопасных газов.

Не используйте инструмент или принадлежности если: Вы обнаружили заметные повреждения на инструменте (трещины/расколы); поврежден сетевой кабель, видны трещины или следы старения (износа), здесь могут быть скрытые дефекты.

Не направляйте сопло, шланг или трубу на людей или животных.

Немедленно выключите инструмент при выходе из него пены или воды. Очистите контейнер и, при необходимости, замените гофрированный фильтр.

Кислоты, ацетон и растворители могут разъедать части инструмента.

Мы не несем ответственности за любые повреждения в случае неправильного использования, недопустимых операциях или непрофессионального ремонта.

Не засасывайте пыль, которая может быть опасна для здоровья

Не подходит для всасывания жидкостей, образующих большую пену.

Выньте аккумулятор из машины перед проведением с ней каких-либо манипуляций.

Не выбрасывайте использованные аккумуляторы вместе с домашним мусором и не сжигайте их. Дистрибьюторы компании Milwaukee предлагают восстановление старых аккумуляторов, чтобы защитить окружающую среду.

Не храните аккумуляторы вместе с металлическими предметами во избежание короткого замыкания.

Для зарядки аккумуляторов модели M18 используйте только зарядным устройством M18. Не заряжайте аккумуляторы других систем.

Аккумуляторная батарея может быть повреждена и дать течь под воздействием чрезмерных температур или повышенной нагрузки. В случае контакта с аккумуляторной кислотой немедленно промойте место контакта мылом и водой. В случае попадания кислоты в глаза промойте глаза в

течении 10 минут и немедленно обратитесь за медицинской помощью.

Предупреждение! Для предотвращения опасности пожара в результате короткого замыкания, травм и повреждения изделия не опускайте инструмент, сменный аккумулятор или зарядное устройство в жидкости и не допускайте попадания жидкостей внутрь устройств или аккумуляторов. Коррозионные и проводящие жидкости, такие как соленый раствор, определенные химикаты, отбеливающие средства или содержащие их продукты, могут привести к короткому замыканию.

Данное устройство не разрешается эксплуатировать или чистить лицам с ограниченными физическими, сенсорными или умственными способностями, а также лицам с недостаточным опытом или знаниями, за исключением случаев, когда они были проинструктированы по безопасному обращению с устройством лицом, по закону отвечающим за их безопасность. При использовании устройства лицами, названными выше, за ними надлежит осуществлять надзор. Никогда не допускать попадания устройства в руки детям. Поэтому если устройство не используется, его надлежит хранить в безопасном и недоступном для детей месте. Следует избегать попадания волос, одежды, пальцев или других частей тела в отверстия и подвижные детали устройства. Запрещено помещать какие-либо объекты в отверстия или использовать

устройство с перекрытыми отверстиями. Необходимо следить, чтобы в отверстия не попадала пыль, волосы или другие объекты, способные замедлить воздушный поток.

Нельзя использовать устройство вне помещения при низкой температуре.

Не используйте данное устройство для уборки горючих или легко воспламеняющихся жидкостей и топлива. Не применяйте его в местах их присутствия.

Не используйте данное устройство для уборки горящих или дымящихся предметов, включая сигареты, спички и горячую золу.

Требуется особая осторожность при очистке лестницы.

Нельзя использовать устройство без фильтров.

Если устройство не работает надлежащим образом, было уронено, повреждено, находилось вне помещения или погружено в воду, следует обратиться в техническую службу или к дилеру.

При вытекании пены или жидкости устройство следует немедленно выключить и опорожнить бак.

Данное устройство нельзя использовать в качестве водяного насоса. Данное устройство предназначено для уборки паровоздушных и водяных смесей.

Необходимо обеспечить хорошую вентиляцию рабочего места.

Нельзя использовать данное устройство в качестве лестницы или

стремянки. Оно может опрокинуться и выйти из строя. Травмоопасно.

Опасные вещества.

Всасывание опасных веществ может привести к тяжёлым и даже смертельным травмам.

Нельзя собирать следующие вещества:

- горячие объекты (тлеющие сигареты, горячую золу и т.д.),
- горючие, взрывоопасные и агрессивные жидкости (напр., бензин, растворители, кислоты, щёлочи и т.п.),
- горючую, взрывоопасную пыль (напр., магниевую, алюминиевую ПЫЛЬ и т.д.).

ИСПОЛЬЗОВАНИЕ

Пылесос может быть использован для следующих целей: всасывания нетоксичной пыли и негорючих жидкостей, отсасывания разлитой и грязной воды, прочистки засоренных стоков, чистки помещений (строительных помещений, рабочих мест и т.д.).

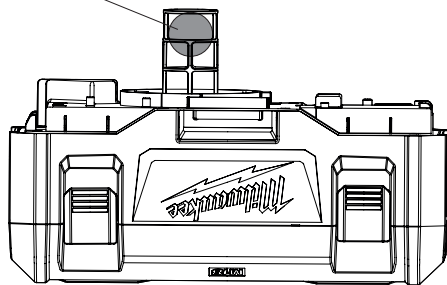
Не пользуйтесь данным инструментом способом, отличным от указанного для нормального применения.

РЕЖИМ ВЛАЖНОЙ УБОРКИ

Удалить из бака ВСЕ остатки загрязнений.

Вынуть фильтр. Убедиться, что корпус поплавка находится на своем месте.

Корпус поплавка



Включить пылесос и начать уборку.

Отключить пылесос после окончания влажной уборки или при заполнении бака.

УКАЗАНИЕ: Если снизилась мощность всасывания, отключить пылесос и опустошить бак.

Вынуть сменный аккумулятор.

Держать шланг вертикально, чтобы содержащаяся в нем жидкость стекла в бак.

Снять корпус электродвигателя и осторожно вылить грязную воду.

Регулярно очищать внутреннюю часть бака и принадлежности пылесоса, особенно после уборки влажного или клейкого материала. Для очистки использовать мыльный раствор.

АВТОМАТИЧЕСКОЕ ОТКЛЮЧЕНИЕ ВСАСЫВАНИЯ

При всасывании жидкостей расположенный внутри поплавков поднимается вверх, пока не достигнет уплотнения на входе в двигатель, в результате чего всасывание прекращается. Двигатель начинает работать с более высоким звуком, а мощность всасывания резко снижается. В этом случае следует немедленно отключить пылесос. Если не отключить пылесос после того, как поплавок занял верхнее положение, и сила всасывания уменьшилась, двигатель будет поврежден. Перед тем, как снова включить пылесос, опустошить бак с грязной водой.

УКАЗАНИЕ: При случайном переворачивании пылесоса возможна потеря мощности всасывания. В этом случае следует отключить пылесос и поставить его ровно. Поплавок вернется в свое обычное положение.

АККУМУЛЯТОР

Перед использованием аккумулятора, которым не пользовались некоторое время, его необходимо зарядить.

Температура свыше 50°C снижает работоспособность аккумуляторов. Избегайте продолжительного нагрева или прямого солнечного света (риск перегрева).

Контакты зарядного устройства и аккумуляторов должны содержаться в чистоте.

Для обеспечения оптимального срока службы аккумулятора необходимо полностью заряжать после использования прибора.

Для достижения максимально возможного срока службы аккумуляторы после зарядки следует вынимать из зарядного устройства.

При хранении аккумулятора более 30 дней:

Храните аккумулятор при 27°C в сухом месте.

Храните аккумулятор с зарядом примерно 30% - 50%.

Каждые 6 месяцев аккумулятор следует заряжать.

ТРАНСПОРТИРОВКА ЛИТИЙ-ИОННЫХ АККУМУЛЯТОРОВ

Литий-ионные аккумуляторы в соответствии с предписаниями закона транспортируются как опасные грузы.

Транспортировка этих аккумуляторов должна осуществляться с соблюдением местных, национальных и международных предписаний и положений.

- Эти аккумуляторы могут перевозиться по улице потребителем без дальнейших обязательств.
- При коммерческой транспортировке литий-ионных аккумуляторов экспедиторскими компаниями действуют положения, касающиеся транспортировки опасных грузов. Подготовка к отправке и транспортировка должны производиться исключительно специально обученными лицами. Весь процесс должен находиться под контролем специалиста.

При транспортировке аккумуляторов необходимо соблюдать следующие пункты:

- Убедитесь, что контакты защищены и изолированы во избежание короткого замыкания.
- Следите за тем, чтобы аккумуляторный блок не соскользнул внутри упаковки.
- Транспортировка поврежденных или протекающих аккумуляторов запрещена.

За дополнительными указаниями обратитесь к своему экспедитору.

ОБСЛУЖИВАНИЕ

Пользуйтесь аксессуарами и запасными частями только фирмы Milwaukee. В случае возникновения необходимости в замене, которая не была описана, пожалуйста, обращайтесь на один из сервисных центров (см. список наших гарантийных/сервисных организаций).

При необходимости, у сервисной службы или непосредственно у фирмы Techtronic Industries GmbH, Max-Eyth-Straße 10, 71364, Винненден, Германия, можно запросить сборочный чертеж устройства, сообщив его тип и шестизначный номер, указанный на фирменной табличке.

СИМВОЛЫ



ВНИМАНИЕ! ПРЕДУПРЕЖДЕНИЕ!
ОПАСНОСТЬ!



Выньте аккумулятор из машины перед проведением с ней каких-либо манипуляций.



Пожалуйста, внимательно прочтите инструкцию по использованию перед началом любых операций с инструментом.



Класс электробезопасности III.



Электроприборы, батареи/аккумуляторы запрещено утилизировать вместе с бытовым мусором.

Электрические приборы и аккумуляторы следует собирать отдельно и сдавать в специализированную компанию для утилизации в соответствии с нормами охраны окружающей среды.

Получите в местных органах власти или у вашего специализированного дилера сведения о центрах вторичной переработки и пунктах сбора.



Знак CE



Национальный украинский знак соответствия



Знак Евразийского Соответствия

Производствен номер.....	4603 30 011... ...000001-999999
Въздушен поток	1300 l/min
Подналягане.....	80 mbar
Вместимост:	7,5 l
Повърхност на филтъра (Нера).....	H13
Диаметър на смукателния маркуч.....	41 mm
Смукателния маркуч.....	475 mm
Напрежение на акумулатора	18 V
Общи размери.....	31/21/43 cm
Тегло съгласно процедурата EPTA 01/2003	4,59 kg
Тегло съгласно процедурата EPTA 01/2003 (5,0 Ah).....	5,33 kg
Клас на защита	IP54
Препоръчителна околна температура при работа.....	-18...+50 °C
Препоръчителни видове акумулаторни батерии.....	M18B2, M18B4, M18B5, M18B6, M18B9
Препоръчителни зарядни устройства.....	M12-18C, M12-18AC, M12-18FC, M1418C6

⚠ ПРЕДУПРЕЖДЕНИЕ! Прочетете всички указания и напътствия за безопасност.

Пропуски при спазването на указанията и напътствията за безопасност могат да доведат до токов удар, пожар и/или тежки наранявания.

Съхранявайте указанията и напътствията за безопасност за справка при нужда.

⚠ СПЕЦИАЛНИ УКАЗАНИЯ ЗА БЕЗОПАСНОСТ

По принцип не бива да се засмукват горими или избухливи разтворители, течности като бензин, масло, алкохол, разреждател и дребни части (метални стружки, пепел) с температура над 60 °C; има опасност от избухване и пожар!

Уредът да не се използва близо до възпламеними газове и вещества.

Да не се работи с уредите, включително с принадлежностите към тях, ако: по уреда има видими повреди (пукнатини, счупване), кабелът за свързване към мрежата е повреден или е нагукан или има признаци за стареене, или има съмнение за невидим дефект (след падане на уреда).

Не насочвайте дюзата, маркуча или тръбата към хора или животни.

При излизане на пяна или вода веднага изключете уреда. Изпразнете съда и евентуално сгъваемия филтър.

Киселина, ацетон и разтворители могат да разядат части на уреда.

При използване не по предназначение, неправилно обслужване или непрофесионален ремонт, не се поема никаква отговорност за евентуални повреди.

Да не се използва за засмукване на опасни за здравето прахове.

Не е подходяща за засмукване на пенливи течности.

Преди започване на каквито е да работи по машината извадете акумулатора.

Не изхвърляйте изхабените акумулатори в огъня или в битовите отпадъци. Milwaukee предлага екологосъобразно събиране на старите акумулатори; моля попитайте Вашия специализиран търговец.

Не съхранявайте акумулаторите заедно с метални предмети (опасност от късо съединение).

Акумулатори от системата M18 да се зареждат само със зарядни устройства от системата M18 laden. Да не се зареждат акумулатори от други системи.

При екстремно натоварване или екстремна температура от повредени акумулатори може да изтече батерийна течност. При допир с такава течност веднага измийте с вода и сапун. При контакт с очите веднага изплаквайте старателно най-малко 10 минути и незабавно потърсете лекар.

Предупреждение! За да избегнете опасността от пожар, предизвикана от късо съединение, както и нараняванията и повредите на продукта, не потапяйте инструмента, сменяемата акумулаторна батерия или зарядното устройство в течности и се погрижете в уредите и акумулаторните батерии да не попадат течности. Течностите, предизвикващи корозия или провеждащи електричество, като солена вода, определени химикали, избелващи вещества или продукти, съдържащи избелващи вещества, могат да предизвикат късо съединение.

Не е разрешено уредът да се обслужва или почиства от лица, които са с ограничени физически, сетивни или интелектуални възможности респективно които имат ограничен опит и познания, освен в случаите, в които са инструктирани за безопасно боравене с уреда от лице, което е законно упълномощено да отговаря за тяхната сигурност и безопасност. При използване на уреда горе посочените лица трябва да бъдат надзиравани. Уредът не бива да се предоставя на деца. Поради тази причина в случаите, когато не се използва, уредът трябва да бъде съхраняван на сигурно място, извън достъпа на деца.

Пазете косата, свободните дрехи, пръстите и всички части на тялото далеч от отвори и движещи се части. Не

поставяйте предметите в отворите и не използвайте уреда с блокирани отвори. Пазете отворите от прах, мъх, косми и други предмети, които биха намалили силата на въздушния поток.

Не използвайте на открито при ниска температура.

Не го използвайте за събиране на запалими или възпламеними течности, например бензин, нито в зони, в които може да има такива.

Не обирайте с уреда нищо, което гори или пуши, например цигари, кибрити или гореща пепел.

Бъдете изключително внимателни, когато почиствате стълби.

Не използвайте без закрепени филтри.

Ако машината не работи правилно или е била изпускана, повредена, оставена на открито или потапяна във вода, върнете я в сервизен център или търговски обект.

Ако от машината излиза пяна или течност, незабавно я изключете.

Машината не може да се използва като водна помпа.

Машината е предназначена за почистване със смес от въздух и вода.

Осигурете добра вентилация на работното място.

Не използвайте машината като стълба или стъпало. Може да се

преобърне и да се повреди. Опасност от нараняване.

Опасни материали.

Засмукването на опасни материали може да доведе до тежки и дори животозастрашаващи наранявания.

С машината не трябва да се засмукват следните материали:

- горещи предмети (неизгасени цигари, гореща пепел и др.);
- запалими, експлозивни и агресивни течности (например петрол, разтворители, киселини, основи и др.);
- запалим и експлозивен прах (например магнезиев или алуминиев прах и др.).

ИЗПОЛЗВАНЕ ПО ПРЕДНАЗНАЧЕНИЕ

Уредът е подходящ за следните видове работи: засмукване на нетоксични прахове и негорими течности, засмукване на мръсна вода, отпушване на запушени сифони чрез засмукване, завършително почистване на място (строителен обект, работно място и пр.).

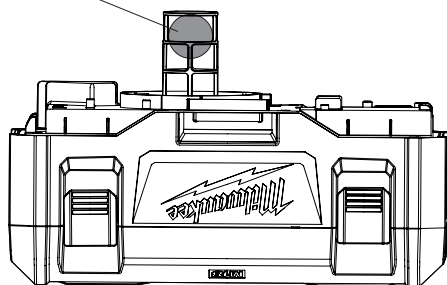
Този уред може да се използва по предназначение само както е посочено.

РЕЖИМ НА МОКРО ИЗСМУКВАНЕ

Отстранете от резервоара ВСИЧКИ остатъци от замърсявания.

Свалете филтъра. Уверете се, че корпусът на поплавка остава на място.

Корпус на поплавка



Включете прахосмукачката и започнете изсмукването.

Изключете уреда веднага след мокрото изсмукване, респ. когато резервоарът се напълни.

УКАЗАНИЕ: Когато силата на засмукване намалее, веднага изключете прахосмукачката и изпразнете резервоара.

Свалете сменяемата акумулаторна батерия.

Дръжте маркува вертикално, за да може съдържащата се в него течност да изтече в резервоара.

Свалете корпуса на мотора и изхвърлете замърсената вода според изискванията.

Редовно почиствайте вътрешността на резервоара и принадлежностите за почистване, особено след изсмукване на мокър или лепкав материал. Използвайте топла сапунена вода за почистването.

АВТОМАТИЧНО ИЗКЛЮЧВАНЕ НА ЗАСМУКВАНЕТО

При засмукване на течности намиращият се във вътрешността поплавък се издига все по-нагоре, докато достигне уплътнението на входа на мотора и енергията за засмукването бъде изключена. Тогава моторът работи с по-силен звук и силата на засмукване драстично намалява. В такъв случай веднага изключете прахосмукачката. Ако не изключите уреда след като поплавъкът достигне най-горната си позиция и силата на засмукване намалее, моторът се поврежда. Преди следващото включване на уреда изпразнете резервоара за мръсна вода.

УКАЗАНИЕ: Ако прахосмукачката се преобърне неволно, тя може да загуби силата си на засмукване. В такъв случай изключете прахосмукачка и отново я изправете. По този начин поплавъкът ще се върне в нормалната си позиция.

АКУМУЛАТОРИ

Акумулатори, които не са ползвани по-дълго време, преди употреба да се дозаредят.

Температура над 50°C намалява мощността на акумулатора. Да се избягва по-продължително нагряване на слънце или от отопление.

Поддържайте чисти присъединителните контакти на зарядното устройство и на акумулатора.

За оптимална продължителност на живот след употреба батериите трябва да се заредят напълно.

За възможно по-дълга продължителност на живот батериите трябва да се изваждат от уреда след зареждане.

При съхранение на батериите за повече от 30 дни: съхранявайте батерията при прикл. 27°C и на сухо място. Съхранявайте батерията при 30 до 50 % от заряда. Зареждайте батерията на всеки 6 месеца.

ПРЕВОЗ НА ЛИТИЕВО-ЙОННИ БАТЕРИИ

Литиево-йонните батерии са предмет на законовите разпоредби за превоз на опасни товари.

Превозът на тези батерии трябва да се извършва в съответствие с местните, националните и международните разпоредби и регламенти.

- Потребителите могат да превозват тези батерии по пътя без допълнителни изисквания.
- Превозът на литиево-йонни батерии от транспортни компании е предмет на законовите разпоредби за превоз на опасни товари. Подготовката на превоза и самият превоз трябва да се извършват само от обучени лица. Целият процес трябва да е под професионален надзор.

Спазвайте следните изисквания при превоз на батерии:

- Уверете се, че контактите са защитени и изолирани, за да се избегне късо съединение.
- Уверете се, че няма опасност от разместване на батерията в опаковката.
- Не превозвайте повредени батерии или такива с течове.

Обърнете се към Вашата транспортна компания за допълнителни инструкции.

ПОДДРЪЖКА

Да се използват само аксесоари на Milwaukee и резервни части на. Елементи, чията подмяна не е описана, да се дадат за подмяна в сервиз на Milwaukee (вижте брошурата "Гаранция и адреси на сервиси).

При необходимост можете да поискате схема на елементите на уреда при посочване на обозначение на машината и шестцифрения номер на табелката за технически данни от Вашия сервиз или директно на Techtronic Industries GmbH, Max-Eyth-Straße 10, 71364 Winnenden, Германия.

СИМВОЛИ



ВНИМАНИЕ! ПРЕДУПРЕЖДЕНИЕ!
ОПАСНОСТ



Преди започване на каквито и да е работи по машината извадете акумулатора.



Преди пускане на уреда в действие моля прочетете внимателно инструкцията за използване.



Електрически клас на защита III.



Електрическите уреди, батерии/акумулаторни батерии не трябва да се изхвърлят заедно с битовите отпадъци.

Електрическите уреди и акумулаторни батерии трябва да се събират разделно и да се предават на службите за рециклиране на отпадъците според изискванията за опазване на околната среда.

Информирайте се при местните служби или при местните специализирани търговци относно местата за събиране и центровете за рециклиране на отпадъци.



СЕ-знак



Национален знак за съответствие - Украйна



EurAsian знак за съответствие.

Număr producție.....	4603 30 01... ...000001-999999
Cantitate de aer suflat.....	1300 l/min
Vid.....	80 mbar
Capacitate.....	7,5 l
Suprafața filtrare (Hepa).....	H13
Diametru furtun aspirare.....	41 mm
Furtun aspirare.....	475 mm
Tensiune acumulator.....	18 V
Dimensiuni de gabarit.....	31/21/43 cm
Greutatea conform „EPTA procedure 01/2003”.....	4,59 kg
Greutatea conform „EPTA procedure 01/2003” (5,0 Ah).....	5,33 kg
Grad de protecție.....	IP54
Temperatura ambientată recomandată la efectuarea lucrărilor.....	-18...+50 °C
Accumulatori recomandați.....	M18B2, M18B4, M18B5, M18B6, M18B9
Încărcătoare recomandate.....	M12-18C, M12-18AC, M12-18FC, M1418C6

⚠ AVERTIZARE! Citiți toate indicațiile de siguranță și toate instrucțiunile. Nerespectarea indicațiilor de avertizare și a instrucțiunilor poate provoca electrocutare, incendii și/sau răniiri grave.
Păstrați toate indicațiile de avertizare și instrucțiunile în vederea utilizărilor viitoare.

⚠ INSTRUCȚIUNI DE SECURITATE

Nu aspirați niciodată în aparat solvenți inflamabili sau explozivi , sau lichide ca petrol, ulei, alcool, diluanți sau particule mici (pilură metalică sau cenușă) care pot fi mai calde decât 60°C - în caz contrar apare pericolul de explozie sau incendiu.

Nu se permite utilizarea aparatului în vecinătatea gazelor sau substanțelor inflamabile.

Nu porniți aparatele sau accesoriile în funcțiune dacă: aparatul prezintă defecțiuni evidente (crăpături / spărături) , cablul de alimentare este defect sau prezintă semne de rupere sau îmbătrânire, există suspiciunea unui defect invizibil (după ce a fost scăpat pe jos).

Nu îndreptați duza, furtunul sau tubul spre oameni sau animale.

Dacă apar scurgeri de apă sau spumă , opriți imediat. Goliți rezervorul și, dacă este necesar, filtrul plisat.

Acizii, acetona și solvenții pot coroda componentele aparatului.

În cazul utilizării greșite, manevrării necorespunzătoare sau reparațiilor neprofesionale nu ne asumăm nici o răspundere pentru nici o defecțiune apărută.

Nu aspirați pulberile dăunătoare pentru sănătate.

Nu este indicat pentru curățarea lichidelor care formează spumă abundentă.

Îndepărtați acumulatorul înainte de începerea lucrului pe mașina

Nu aruncați acumulatorii uzați la containerul de reziduri menajere și nu îi ardeți. Milwaukee Distributors se oferă să recupereze acumulatorii vechi pentru protecția mediului înconjurător.

Nu depozitați acumulatorul împreună cu obiecte metalice (risc de scurtcircuit)

Folosiți numai încărcătoare System M18 pentru încărcarea acumulatorilor System M18. Nu folosiți acumulatori din alte sisteme.

Acidul se poate scurge din acumulatorii deteriorați la încărcături sau temperaturi extreme. În caz de contact cu acidul din acumulator, spălați imediat cu apă și săpun. În caz de contact cu ochii, clătiți cu atenție timp de cel puțin 10 minute și apelați imediat la îngrijire medicală.

Avertizare! Pentru a reduce pericolul unui incendiu și evitarea rănilor sau deteriorarea produsului în urmă unui scurtcircuit nu imersați scula, acumulatorul de schimb sau încărcătorul în lichide și asigurați-vă să nu pătrundă lichide

în aparate și acumulatori. Lichidele corosive sau cu conductibilitate, precum apa sărată, anumite substanțe chimice și înalbitori sau produse ce conțin înalbitori, pot provoca un scurtcircuit.

Deservirea sau curățarea acestui aparat nu este permisă persoanelor cu capacitate fizică, senzorială sau intelectuală redusă, respectiv lipsite de experiență sau insuficient pregătite, cu excepția cazului în care au fost instruite în legătură cu manipularea aparatului în condiții de securitate de către o persoană legalmente responsabilă pentru siguranța lor. Utilizarea aparatului de către persoanele menționate mai sus trebuie să aibă loc sub supraveghere. Nu este îngăduit ca acest aparat să ajungă la îndemâna copiilor. Atunci când nu este folosit, aparatul trebuie păstrat la loc sigur, ferit de accesul copiilor.

Țineți părul, hainele largi, degetele și toate părțile corpului la distanță de deschiderile și piesele în mișcare. Nu introduceți niciun obiect în deschideri și nu utilizați cu deschiderea blocată. Deschiderile trebuie să fie protejate de praf, scame, păr și orice obiect care poate reduce debitul de aer.

Nu utilizați în spații exterioare la temperaturi scăzute.

Nu utilizați la aspirarea lichidelor inflamabile sau combustibile, precum benzină sau în zone în care acestea ar putea fi prezente.

Nu aspirați obiecte care ard sau scot fum, precum țigarete, chibrituri sau cenușă fierbinte.

Curățați scările cu foarte mare atenție.

Nu utilizați fără filtre montate.

Dacă mașina nu funcționează corect sau a fost scăpată pe jos, deteriorată, lăsată afară sau scăpată în apă, retrimiteți-o la un centru de service sau la distribuitor.

Dacă din mașină se scurge spumă sau lichid, opriți imediat mașina.

Mașina nu poate fi utilizată ca pompă de apă. Mașina este destinată pentru aspirarea amestecurilor de aer și apă.

Asigurați ventilarea corespunzătoare la locul de lucru.

Nu utilizați mașina ca scară mobilă sau scară pliantă. Mașina se poate răsturna și deteriora. Pericol de rănire.

Materiale periculoase.

Aspirarea de materiale periculoase poate cauza rănirea gravă sau chiar decesul.

Următoarele materiale nu trebuie aspirate cu mașina:

- materiale fierbinți (țigări aprinse, cenușă fierbinte etc.)

- lichide inflamabile, explozive, agresive (de ex., petrol, solvenți, acizi, alcalii, etc.)
- pulbere inflamabilă, explozivă (de ex., pulbere de magneziu sau de aluminiu etc.)

CONDIȚII DE UTILIZARE SPECIFICATE

Aspiratorul poate fi folosit după cum urmează: pentru aspirarea pulberilor netoxice și lichidelor necombustibile, aspirarea apei murdare sau noroiului, desfundarea scurgerilor infundate, curățirea spațiilor (locuințe, locuri de muncă, etc.)

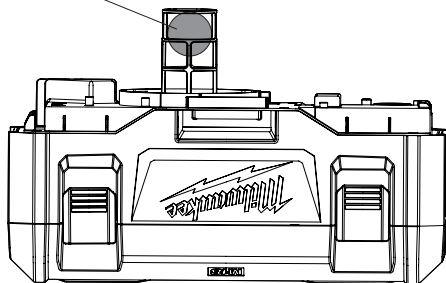
Nu utilizați acest produs în alt mod decât cel stabilit pentru utilizare normală

REGIM DE ASPIRARE UMEDĂ

Îndepărtați TOATE resturile de impurități din rezervor.

Demontați filtrul. Carcasa fotorului trebuie să rămână la locul ei.

Carcasa fotorului



Porniți aspiratorul și începeți să aspirați.

Opriți aparatul imediat după aspirarea umedă sau atunci când rezervorul este plin.

NOTĂ: Atunci când puterea de aspirare scade, opriți imediat aspiratorul și golii rezervorul.

Îndepărtați acumulatorul de schimb.

Mențineți furtunul în poziție verticală, pentru ca lichidul din acesta să se poată scurge în rezervor.

Îndepărtați carcasa motorului și eliminați apa murdară în mod corespunzător.

Curățați periodic interiorul rezervorului și accesoriile de aspirare, mai ales după aspirarea materialelor umede sau lipicioase. Pentru curățare folosiți apă caldă și săpun

DECONNECTAREA AUTOMATĂ A ASPIRĂRII

La aspirarea lichidelor, un flotor interior se ridică mereu, până când ajunge la garnitura de la intrarea în motor iar forța de aspirare este deconectată. Motorul emite apoi un sunet de funcționare mai ridicat iar puterea de aspirare este redusă drastic. În acest caz deconectați imediat aspiratorul. Dacă nu deconectați aspiratorul, după ce flotorul atinge poziția superioară și forța de aspirare scade, motorul este grav avariat. Înainte de o nouă conectare a aparatului golii rezervorul de apă murdară.

INDICAȚIE: Dacă aspiratorul se răstoarnă din greșeală, el poate pierde din puterea de aspirare. În acest caz deconectați aspiratorul și ridicați-l din nou. Astfel și flotorul va reveni în poziția normală.

ACUMULATORI

Acumulatorii care nu au fost utilizați o perioadă de timp trebuie reîncărcați înainte de utilizare

Temperatura mai mare de 50°C (122°F) reduce performanța acumulatorului. Evitați expunerea prelungită la căldură sau radiație solară (risic de supraîncălzire)

Contactele încărcătoarelor și acumulatorilor trebuie păstrate curate.

În scopul optimizării duratei de funcționare, bateriile trebuie reîncărcate complet după utilizare.

Pentru o durată de viață cât mai lungă, acumulatorii ar trebui scoși din încărcător după încărcare.

La depozitarea acumulatorilor mai mult de 30 zile: Acumulatorii se depozitează la cca. 27°C și la loc uscat. Acumulatorii se depozitează la nivelul de încărcare de cca. 30%-50%.

Acumulatorii se încarcă din nou la fiecare 6 luni.

TRANSPORTUL ACUMULATORILOR CU IONI DE LITIU

Acumulatorii cu ioni de litiu cad sub incidența prescripțiilor legale pentru transportul de mărfuri periculoase.

Transportul acestor acumulatori trebuie să se efectueze cu respectarea prescripțiilor și reglementărilor pe plan local, național și internațional.

- Consumatorilor le este permis transportul rutier nerestricționat al acestui tip de acumulatori.
- Transportul comercial al acumulatorilor cu ioni de litiu prin intermediul firmelor de expediție și transport este supus reglementărilor transportului de mărfuri periculoase. Pregătirile pentru expediție și transportul au voie să fie efectuate numai de către personal instruit corespunzător. Întregul proces trebuie asistat în mod competent.

Următoarele puncte trebuie avute în vedere la transportul acumulatorilor:

- Pentru a se evita scurtcircuitele, asigurați-vă de faptul că sunt protejate și izolate contactele.
- Aveți grijă ca pachetul de acumulatori să nu poată aluneca în altă poziție în interiorul ambalajului său.
- Este interzis transportarea unor acumulatori deteriorați sau care pierd lichid.

Pentru indicații suplimentare adresați-vă firmei de expediție și transport cu care colaborați.

INTREȚINERE

Utilizați numai accesorii și piese de schimb Milwaukee. Dacă unele din componente care nu au fost descrise trebuie înlocuite, vă rugăm contactați unul din agenții de service Milwaukee (vezi lista noastră pentru service / garanție)

Dacă este necesar, puteți solicita de la centrul dvs. de service pentru clienți sau direct la Techtronic Industries GmbH, Max-Eyth-Straße 10, 71364 Winnenden, Germania un desen descompus al aparatului prin indicarea tipului de aparat și a numărului cu șase cifre de pe tăblița indicatoare.

SIMBOLURI



PERICOL! AVERTIZARE! ATENȚIE!



Îndepărtați acumulatorul înainte de începerea lucrului pe mașina



Va rugăm citiți cu atenție instrucțiunile înainte de pornirea mașinii



Clasă de protecție electrică III.



Aparatele electrice, bateriile/acumulatorii nu se elimină împreună cu deșeurile menajere. Aparatele electrice și acumulatorii se colectează separat și se predau la un centru de reciclare, în vederea eliminării ecologice. Informați-vă de la autoritățile locale sau de la comercianții acreditați în legătură cu centrele de reciclare și de colectare.



Marcaj CE



Marcaj național de conformitate Ucraina



Marcaj de conformitate EurAsian.

Производен број.....	4603 30 01...
	...000001-999999
Вредности на проток на воздух.....	1300 l/min
Вакуум.....	80 mbar
Капацитет.....	7,5 l
Површина на филтерот (Нера).....	H13
Дијаметар на вшмуувачко црево.....	41 mm
Вшмуувачко црево.....	475 mm
Волтажа на батеријата.....	18 V
Вкупни димензии.....	31/21/43 cm
Тежина според ЕПТА-процедурата 01/2003.....	4,59 kg
Тежина според ЕПТА-процедурата 01/2003 (5,0 Ah).....	5,33 kg
Заштитна класа.....	IP54
Препорачана температура на околината при работа.....	-18...+50 °C
Препорачани типови на акумулаторски батерии.....	M18B2, M18B4, M18B5, M18B6, M18B9
Препорачани полначи.....	M12-18C, M12-18AC, M12-18FC, M1418C6

▲ ВНИМАНИЕ! Прочитајте ги безбедносните напomenи и упатства. Заборавање на почитувањето на безбедносните упатства и инструкции можат да предизвикаат електричен удар, пожар и/или тешки повреди.
Сочувајте ги сите безбедносни упатства и инструкции за во иднина.

▲ УПАТСТВО ЗА УПОТРЕБА

Никогаш не ставајте во машината запалливи раствори, или течност како бензин, масло, алкохол, разредувачи, или мали делови (како метални делови или пепел) кои можат да бидат потопли од 60°C, во спротивно постои опасност од експлозија и пожар!

Не е дозволено да се користи направата во близина на запалливи гасови или супстанции.

Не ги покренувајте направите или дополнителните елементи, доколку направата има видливо оштетување (напукнати/скршени), сијаличката на главната конекција е неисправна или покажува знаци на напукнување или стареење, постои сомневање за невидлив дефект (по паѓање).

Не го вперувајте врвот, цревото или цевката кон луѓе или животни.

Доколку почне да излегува пена или вода исклучете веднаш. Испразнете го садот и доколку е потребно нагужваниот филтер

Киселини, ацетон, разредувачи можат да ги нагризат составните делови на направата.

Штом полнењето е комплетирано, полначот се префрла на „лесно“, полнење да се постигне целосен капацитет (зелената сијаличка е исклучена)

Не вшмукувајте прашини кои се штетни за здравјето.

Не е погодно за собирање течности кои прават многу пена.

Извадете го батерискиот склоп пред отпочнување на каков и да е зафат врз машината.

Не ги оставајте искористените батерии во домашниот отпад и не горете ги. Дистрибутерите на Милвоки ги собираат старите батерии, со што ја штитат нашата околина.

Не ги чувајте батериите заедно со метални предмети (ризик од краток спој).

Користете исклучиво Систем M18 за полнење на батерии од M18 систем. Не користете батерии од друг систем.

Киселината од оштетените батериите може да истече при екстреман напон или температура. Доколку дојдете во контакт со исатата, измијте се веднаш со сапун и вода. Во случај на контакт со очите плакнете ги убаво најмалку 10 минути и задолжително одете на лекар.

Предупредување! За да избегнете опасноста од пожар, од наранувања или од оштетување на производот, коишто ги создава краток спој, не ја потопувајте во течност алатката, заменливата батерија или полначот и пазете во уредите и во батериите да не проникнуваат течности. Корозивни или електроспроводноливи течности, како солена вода, одредени хемикалии, избелувачки препарати или производи кои содржат избелувачки супстанции, можат да предизвикаат краток спој.

Овој апарат не смее да се опслужува или чисти од страна на лица кои што располагаат со намалени телесни, сензорни или душевни способности односно недостатоци на искуство или знаење, освен ако не биле обучени за безбедно опходување со апаратот од страна на лице кое што е според законот одговорно за нивната безбедност. Горе наведените лица треба да се набљудуваат при употреба на апаратот. На апаратот не му е место крај деца. Затоа при негова неупотреба апаратот треба да се чува безбедно и вон дофат на деца.

Не доближувајте ја косата, делови од облеката или телото во близина на отвори и до подвижните делови од апаратот. Не използвajte урeда, ако някој от отворите е блокиран и не пџайте никакви предмети в

отворите. Чувајте ги отворите чисти од прашина, текстилни влакна, коса и други материјали кои можат да го намалат протокот на воздух.

Не го користете апаратот на отворено, на ниска температура.

Не вшмукувајте со апаратот лесно запаливи течности како што е бензинот. Не го користете апаратот во области каде што може да постојат такви течности.

Никогаш не вшмукувајте предмети кои чадат или вжештени предмети (на пр. цигари, кибритчиња, вжештена пепел).

Бидете посебно внимателни при чистење на скали.

Користете го апаратот само ако се поставени филтрите.

Ако апаратот не работи правилно, ако има паднато или е оштетен, ако бил на отворено или има паднато во вода, треба да го однесете во сервис или да го вратите кај дистрибутерот.

Веднаш исклучете го апаратот, ако во него се формира пена или од него истекува вода.

Апаратот не треба да се користи како пумпа за вода. Апаратот е погоден за вшмукување на мешавина од воздух и вода.

Погрижете се за доволно вентилација на работното место.

Не газете врз апаратот. Тоа може да го преврти и да го оштети.

Опасност од повреда.

Опасни материи.

Вшмукувањето на опасни материи може да доведе до тешки, дури и до смртоносни повреди.

Со овој апарат не треба да се вшмукуваат подолу наведените материи:

- вжештени материјали (запалени цигари, вжештена пепел и др.)
- запаливи, експлозивни или абразивни течности (на пр. бензин, растворувачи, киселини, бази и др.)
- запалива, експлозивна прашина (на пр. магнезиумска или алуминиумска прашина и др.)

СПЕЦИФИЦИРАНИ УСЛОВИ НА УПОТРЕБА

Правосмукалката може да се користи за: вшмукување на нетоксична прашина, не запаливи течности, матна или каллива вода, чистење на затнати одводи, чистење на градилиште (градежна зона, работни места итн.).

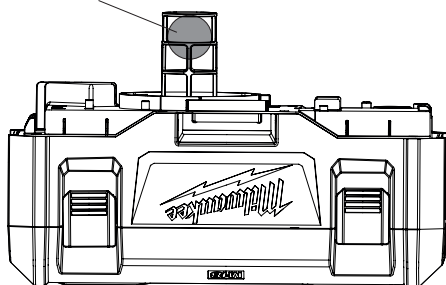
Не го користете овој производ на било кој друг начин освен пропишаниот за нормална употреба.

РЕЖИМ ВЛАЖНО ВШМУКУВАЊЕ

Отстранете ги СИТЕ нечистотии од резервоарот.

Извадете го филтерот. Осигурајте се дека кукиштите на пливката останува на место.

Кукиштите на пливката



Вклучете ја правосмукалката и почнете да чистите.

Уредот треба да се исклучи веднаш по влажно вшмукување или кога резервоарот е полн.

СОВЕТ: Кога се намалува вшмукањето, веднаш исклучете ја правосмукалката и испразнете го резервоарот.

Отстранете ја заменливата батерија.

Држете го цревето вертикално така што течност што се содржи во него да може да истече во резервоарот.

Отстраните го кукиштето на моторот и фрлете ја мрсната вода правилно.

Редовно чистете ја внатрешноста на резервоарот и вшмукувачките додатоци, особено по вшмукување на

влажен или леплив материјал. За чистење користете топла вода со сапуница.

АВТОМАТСКО ИСКЛУЧУВАЊЕ НА ВШМУКУВАЊЕТО

Кога правосмукалката ќе ги вшмуќне течности, внатрешната пливка се подигнува се понагоре, додека не достигне до дихтунгот на влезот на моторот и тогаш вшмуќувањето се исклучува. Тогаш моторот започнува да работи пошумно и капацитетот на вшмуќувањето драстично се смалува. Во таков случај исклучете ја веднаш правосмукалката. Ако не го исклучите уредот, по што пливката е достигнала горен положај и капацитетот на вшмуќувањето е намален, моторот ќе се оштети озбилно. Пред да го поштите уредот одново, испразнете го резервоарот за мрсна вода.

СОВЕТ: Ако поради невниманието допуштите правосмукалката да се обрне на страна, нејзиниот капацитет на вшмуќувањето ќе се намали. Во таков случај исклучете ја правосмукалката и ја исправите. Така пливката ќе се врне во својот нормален положај.

БАТЕРИИ

Батериите кои не биле користени подолго време треба да се наполнат пред употреба.

Температура повисока од 50°C (122°F) го намалуваат траењето на батериите. Избегнувајте подолго изложување на батериите на високи температури или сонце (ризик од прегревање).

Клемите на полначот и батериите мора да бидат чисти.

За оптимален работен век батериите мора да се наполнат целосно по употреба.

За можно подолг век на траење, апаратите после нивното полнење треба да бидат извадени од апаратот за полнење на батериите.

Во случај на складирање на батеријата подолго од 30 дена: Акумулаторот да се чува на температура од приближно 27°C и на суво место.

Акумулаторот да се складира на приближно 30%-50% од состојбата на наполнитост.

Акумулаторот повторно да се наполни на секои 6 месеци.

ТРАНСПОРТ НА ЛИТИУМ-ЈОНСКИ БАТЕРИИ

Литиум-јонските батерии подлежат на законските одредби за транспорт на опасни материи.

Транспортот на овие батерии мора да се врши согласно локалните, националните и меѓународните прописи и одредби.

- Потрошувачите на овие батерии може да вршат непречен патен транспорт на истите.
- Комерцијалниот транспорт на литиум-јонски батерии од страна на шпедитерски претпријатија подлежат на одредбите за транспорт на опасни материи. Подготовките за шпедиција и транспорт треба да ги вршат исклучиво соодветно обучени лица. Целокупниот процес треба да биде стручно надгледуван.

При транспортот на батерии треба да се внимава на следното:

- Осигурајте се дека контактите се заштитени и изолирани, а сето тоа со цел да се избегнат кратки споеви.
- Внимавајте да не дојде до изместување на батериите во нивната амбалажа.
- Забранет е транспорт на оштетени или протечени литиум-јонски батерии.

За понатамошни инструкции обратете се до Вашето шпедитерско претпријатие.

ОДРЖУВАЊЕ

Користете само Milwaukee додатоци и резервни делови. Доколку некои од компонентите кои не се опишани треба да бидат заменети, Ве молиме контактирајте ги сервисните агенти на Milwaukee (консултирајте ја листата на адреси).

При потреба може да се побара експлозивен цртеж на апаратот со наведување на машинскиот тип и шестоцифрениот број на табличката со учинокот или во Вашата корисничка служба или директно кај Techtronic Industries GmbH, Max-Eyth-Straße 10, 71364 Winnenden, Германија.

СИМБОЛИ



ВНИМАНИЕ! ПРЕДУПРЕДУВАЊЕ!
ОПАСНОСТ!



Извадете го батерискиот склоп пред отпочнување на каков и да е зафат врз машината.



Ве молиме пред да ја стартувате машината обрнете внимание на упатствата за употреба.



Електрична заштита од класа III.



Електричните апарати и батериите што се полнат не смеат да се фрлат заедно со домашниот отпад. Електричните апарати и батериите треба да се собираат одделно и да се однесат во соодветниот погон заради нивно фрлање во склад со начелата за заштита на околината. Информирајте се кај Вашите местни служби или кај специјализираниот трговски претставник, каде има такви погони за рециклажа и собирни станици.



CE-знак



Национален конформитетски знак за Украина



EurAsian (Евроазиски) знак на конформитет.

Номер виробу.....	4603 30 01...
	...000001-999999
Потік повітря.....	1300 l/min
Низький тиск.....	80 mbar
Місткість.....	7,5 l
Фільтруюча поверхня (Нера).....	H13
Діаметр всмоктувального шлангу.....	41 mm
Всмоктувального шлангу.....	475 mm
Напруга змінної акумуляторної батареї.....	18 V
Габарити.....	31/21/43 cm
Вага згідно з процедурою ЕРТА 01/2003.....	4,59 kg
Вага згідно з процедурою ЕРТА 01/2003.....	5,33 kg
Клас захисту.....	IP54
Рекомендована температура довкілля під час роботи.....	-18...+50 °C
Рекомендовані типи акумуляторів.....	M18B2, M18B4, M18B5, M18B6, M18B9
Рекомендовані зарядні пристрої.....	M12-18C, M12-18AC, M12-18FC, M1418C6

▲ ПОПЕРЕДЖЕННЯ! Прочитайте всі вказівки з техніки безпеки та інструкції. Упущення при дотриманні вказівок з техніки безпеки та інструкцій можуть призвести до ураження електричним струмом, пожежі та/або тяжких травм.
Зберігайте всі вказівки з техніки безпеки та інструкції на майбутнє.

▲ СПЕЦІАЛЬНІ ВКАЗІВКИ З ТЕХНІКИ БЕЗПЕКИ

Взагалі не можна всмоктувати горючі або вибухові розчинники, рідини, наприклад, бензин, мастило, спирт, розріджувач, а також частинки (металева стружка, попіл) з температурою понад 60 °C; існує небезпека вибуху та пожежі!

Пристрій не можна використовувати поблизу займистих газів та речовин

Не вводити пристрій, в тому числі його комплектуючі, в експлуатацію, якщо: пристрій має явні пошкодження (тріщини/розломи), мережевий кабель живлення має дефекти, тріщини або ознаки старіння, існує підозра на невидимий дефект (після падіння).

Не направляти сопло, шланг чи трубку на людей або тварин.

При виході піни або води негайно вимкнути пристрій. Спорожнити ємність та в разі необхідності складчастий фільтр.

Кислоти, ацетон та розчинники можуть роз'їсти деталі приладу.

При використанні не за призначенням, неналежному обслуговуванні або непрофесійному ремонті відповідальність за можливі збитки не приймається.

Не використовувати для відсмоктування небезпечного для здоров'я пилу.

Не підходити для всмоктування рідин, що сильно піняться.

Перед будь-якими роботами на машині виїняти змінну акумуляторну батарею

Відпрацьовані змінні акумуляторні батареї не можна кидати у вогонь або викидати з побутовими відходами. Milwaukee пропонує утилізацію старих знімних акумуляторних батарей, безпечно для довкілля; зверніться до свого дилера.

Не зберігати змінні акумуляторні батареї разом з металевими предметами (небезпека короткого замикання).

Знімні акумуляторні батареї системи M18 заряджати лише зарядними пристроями системи M18. Не заряджати акумуляторні батареї інших систем.

При екстремальному навантаженні або при екстремальній температурі з пошкодженої змінної акумуляторної батареї може витікати електроліт. При потрапленні електроліту на шкіру його негайно необхідно змити

водою з милом. При потрапленні в очі їх необхідно негайно ретельно промити, щонайменше 10 хвилин, та негайно звернутися до лікаря.

Попередження! Для запобігання небезпеці пожежі в результаті короткого замикання, травмат та пошкодження виробів не занурюйте інструмент, змінний акумулятор або зарядний пристрій у рідину і не допускайте потраплення рідини всередину пристроїв або акумуляторів. Корозійні і струмопровідні рідини, такі як солоний розчин, певні хімікати, вибуховальні засоби або продукти, що їх містять, можуть призвести до короткого замикання.

Цей пристрій не можна обслуговувати або чистити людям з обмеженими фізичними, сенсорними, розумовими можливостями або з недостатнім досвідом чи з недостатніми знаннями, хіба що особа, яка за законом відповідає за їхню безпеку, проінструктувала їх щодо безпечного поводження з пристроєм. Зазначені вище особи при користуванні пристроєм повинні перебувати під наглядом. Цей пристрій не призначений для дітей. Тому якщо ви не користуєтесь пристроєм, його необхідно зберігати у надійному та недоступному для дітей місці. Не тримати волосся, вільні деталі одягу та частини тіла поблизу отворів або рухомих деталей пристрою. Не користуватися пристроєм, якщо

один з отворів заблокований та не вставляти в отвори сторонні предмети. Тримати отвори вільними від пилу, ниток, волосся та інших матеріалів, що можуть затримувати повітряний потік.

Не використовувати ззовні за низьких температур.

Не всмоктувати займисті або горючі рідини, як-то бензин. Не використовувати на ділянках, де можуть бути присутні такі рідини.

У жодному разі не всмоктувати предмети, що димлять або палають (наприклад, цигарки, сірники, гарячий попіл).

При прибиранні на сходах бути особливо обережним.

Користуватись лише тоді, коли вставлені фільтри.

Якщо пристрій функціонує неправильно, він впав або пошкоджений, якщо він стояв на вулиці або потрапив до води, його необхідно віддати до сервісної майстерні або продавцю.

При утворенні піни або виділенні рідини пристрій негайно вимкнути.

Пристрій не повинен використовуватись як водяний насос. Пристрій придатний для всмоктування суміші повітря та води.

На робочому місці забезпечити достатню вентиляцію.

Не використовувати пристрій як підніжку або драбину. При цьому пристрій може перекинутись та

пошкодитись. Небезпека травмування.

Небезпечні речовини.

Всмоктування небезпечних речовин може викликати важкі чи навіть смертельні травми.

За допомогою цього пристрою не можуть вбиратись такі речовини:

- гарячі матеріали (запалені цигарки, тліючий попіл тощо);
- займисті, вибухонебезпечні або агресивні рідини (наприклад, бензин, розчинники, кислоти, луги тощо);
- займистий, вибухонебезпечний пил (наприклад, магнієвий або алюмінієвий пил тощо).

ВИКОРИСТАННЯ ЗА ПРИЗНАЧЕННЯМ

Пристрій призначений для наступних видів робіт: всмоктування нетоксичного пилу та негорючої рідини, вбирання води для прибирання або стічних вод, відсмоктування забитих стоків, кінцеве прибирання на місці (будівельний майданчик, робоче місце тощо).

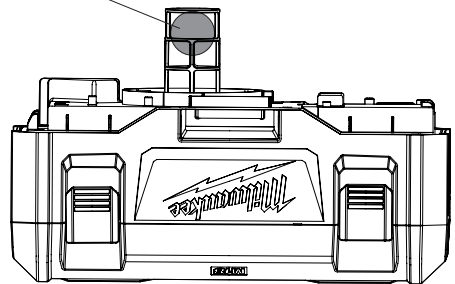
Цей прилад можна використовувати тільки за призначенням так, як вказано в цьому документі.

РЕЖИМ ВОЛОГОГО ПРИБИРАННЯ

Видалити з бака УСІ залишки забруднень.

Вийняти фільтр. Переконайтесь, що корпус поплавця знаходиться на своєму місці.

Корпус поплавця



Увімкнути пилосос і почати прибирання.

Вимкнути пилосос після закінчення вологого прибирання або при заповненні бака.

ВКАЗІВКА: Якщо знизилася потужність всмоктування, вимкнути пилосос і спорожнити бак.

Вийняти змінний акумулятор.

Тримати шланг вертикально, щоб рідина, яка в ньому залишилась, витекла в бак.

Зняти корпус електродвигуна й утилізувати брудну воду згідно з приписами.

Регулярно очищати внутрішню частину бака і приладдя пилососа, особливо після прибирання вологого або клейкого матеріалу. Для очищення використовувати мильний розчин.

АВТОМАТИЧНЕ ВІДКЛЮЧЕННЯ ВСМОКТУВАННЯ

При всмоктуванні рідини розташований усередині поплавець піднімається вгору, поки не досягне ущільнення на вході в двигун, після чого всмоктування припиняється. Двигун починає працювати з більш високим звуком, а потужність всмоктування різко знижується. У цьому випадку слід негайно вимкнути пилосос. Якщо не вимкнути пилосос після того, як поплавець зайняв верхнє положення, і сила всмоктування зменшилася, двигун буде пошкоджений. Перед тим, як знову увімкнути пилосос, спорожніти бак із брудною водою.

ВКАЗІВКА: При випадковому перевертанні пилососа можлива втрата потужності всмоктування. В цьому випадку слід вимкнути пилосос і встановити його рівно. Поплавець повернеться у своє звичайне положення.

АКУМУЛЯТОРНІ БАТАРЕЇ

Зніму акумуляторну батарею, що не використовувалася тривалий час, перед використанням необхідно підзарядити.

Температура понад 50 °C зменшує потужність знімної акумуляторної батареї. Уникати тривалого нагрівання сонячними променями або системою обігріву.

З'єднувальні контакти зарядного пристрою та знімної акумуляторної батареї повинні бути чистими.

Для забезпечення оптимального строку експлуатації акумуляторні батареї після використання необхідно повністю зарядити.

Для забезпечення максимального можливого терміну експлуатації акумуляторні батареї після зарядки необхідно виймати з зарядного пристрою.

При зберіганні акумуляторної батареї понад 30 днів: Зберігати акумуляторну батарею при температурі приблизно 27 °C в сухому місці.

Зберігати акумуляторну батарею в стані зарядки приблизно 30-50 %.

Кожні 6 місяців знову заряджати акумуляторну батарею.

ТРАНСПОРТУВАННЯ ЛІТІЙ-ІОННИХ АКУМУЛЯТОРНИХ БАТАРЕЙ

Літій-іонні акумуляторні батареї підпадають під законоположення про перевезення небезпечних вантажів.

Транспортування таких акумуляторних батарей повинно відбуватися із дотриманням місцевих, національних та міжнародних приписів та положень.

- споживачі можуть без проблем транспортувати ці акумуляторні батареї по вулиці.
- Комерційне транспортування літій-іонних акумуляторних батарей експедиторськими компаніями підпадає під положення про транспортування небезпечних вантажів. Підготовку до відправлення та транспортування можуть здійснювати виключно особи, які пройшли відповідне навчання. Весь процес повинні контролювати кваліфіковані фахівці.

При транспортуванні акумуляторних батарей необхідно дотримуватись зазначених далі пунктів:

- Переконайтеся в тому, що контакти захищені та ізольовані, щоб запобігти короткому замиканню.
- Слідкуйте за тим, щоб акумуляторна батарея не переміщувалася всередині упаковки.
- Пошкоджені акумуляторні батареї, або акумуляторні батареї, що потекли, не можна транспортувати.

Для отримання подальших вказівок звертайтеся до своєї експедиторської компанії.

ОБСЛУГОВУВАННЯ

Використовувати комплектуючі та запчастини тільки від Milwaukee. Деталі, заміна яких не описується, замінювати тільки в відділі обслуговування клієнтів Milwaukee (зверніть увагу на брошуру "Гарантія / адреси сервісних центрів").

У разі необхідності можна запросити креслення з зображенням вузлів машини в перспективному вигляді, для цього потрібно звернутися в ваш відділ обслуговування клієнтів або безпосередньо в Techtronic Industries GmbH, Max-Eyth-Straße 10, 71364 Winnenden, Німеччина, та вказати тип машини та шестизначний номер на фірмовій табличці з даними машини.

СИМВОЛИ



УВАГА! ПОПЕРЕДЖЕННЯ! НЕБЕЗПЕЧНО!



Перед будь-якими роботами на машині вийняти змінну акумуляторну батарею



Уважно прочитайте інструкцію з експлуатації перед введенням приладу в дію.



Клас електрозахисту III.



Електроприлади, батареї/акумулятори заборонено утилізувати разом з побутовим сміттям.

Електричні прилади і акумулятори слід збирати окремо і здавати в спеціалізовану компанію для утилізації відповідно до норм охорони довкілля. Зверніться до місцевих органів або до вашого дилера, щоб отримати адреси пунктів вторинної переробки та пунктів прийому.



Знак CE



Національний знак відповідності для України



Знак відповідності для Європи та Азії EurAsian



يحظر التخلص من الأجهزة الكهربائية والبطاريات/البطاريات القابلة للشحن في القمامة المنزلية. يجب جمع الأجهزة الكهربائية والبطاريات القابلة للشحن منفصلة وتسليمها للتخلص منها بشكل لا يضر بالبيئة لدى شركة إعادة استغلال.
الرجاء الاستفسار لدى الهيئات المحلية أو لدى التجار المتخصصين عن مواقع إعادة الاستغلال ومواقع الجمع.



علامة المطابقة الأوروبية



العلامة الوطنية للمطابقة الأوكرانية



علامة المطابقة الأوروبية الآسيوية

يحظر استخدام الجهاز كمضخة ماء. الجهاز مُصنَع خصيصاً لامتناص مزيج من الهواء والماء.

احرص على توفر التهوية الكافية في مكان العمل. لا تستخدم الجهاز كدواسة أو سلم. فقد ينقلب الجهاز ويتعرض للتلف من جراء ذلك. خطر التعرض للإصابة.

مواد خطرة.

قد يؤدي امتصاص المواد الخطرة المعيبة إلى التعرض لإصابات شديدة أو مميتة في بعض الأحيان.

يُحظر التقاط المواد التالية باستخدام الجهاز:

- المواد الساخنة (السوائل المحترقة، الرماد الساخن، وما إلى ذلك)
- السوائل القابلة للاشتعال أو المتفجرة أو الحارقة (مثل البنزين، والمذيبات، والأحماض والقلويات، وما إلى ذلك)
- الغبار القابل للاشتعال والمتفجر (مثل غبار المغنسيوم أو الألومنيوم وما إلى ذلك)

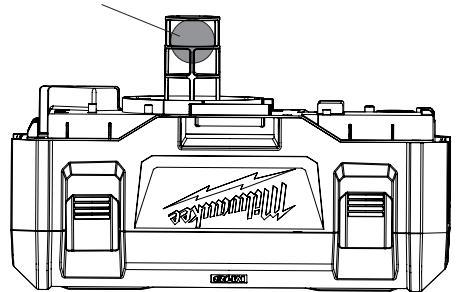
شروط الاستخدام المحددة

يمكن استخدام المكنسة الكهربائية كما يلي: شفط غبار المواد غير السامة والسوائل غير القابلة للاشتعال وشفط الماء الموحل والمعكر وتنظيف المصارف المسدودة والتنظيف المبدئي (مواقع البناء وأماكن العمل).

لا تستخدم هذا المنتج بأي طريقة أخرى غير مصرح بها للاستخدام العادي.

تشغيل مكنسة شفط الماء

قم بإزالة جميع التلوث المتبقية في الخزان
انزع الفلتر تأكد أن غلبة العوامة لا يزال في موضعه ومكانه.
غلبة العوامة



قم بتشغيل المكنسة الكهربائية وإيداء في الشفط.

قم بإيقاف الجهاز على الفور بعد شفط الماء أو إذا كان الخزان ممتلئ.

إرشاد: إذا انخفضت قوة الشفط، قم بإيقاف المكنسة على الفور وتفريغ الخزان.

قم بنزع البطارية للاستبدال.

أمسك الخرطوم رأسياً، لكي يسيل السائل المتبقي في الخزان.

قم بنزع غلبة المحرك وتخلص من الماء الملوث حسب التعليمات.

قم بتنظيف الفجوة الداخلية للخزان ومستلزمات الشفط بانتظام، خاصة بعد شفط السوائل والمواد اللاصقة. استخدم ماء دافئ بالصابون للتنظيف.

عند شفط السوائل ترتفع العوامة الموضوعة بالداخل دائماً إلى أعلى حتى تصل إلى سداة إحكام عند مدخل المحرك ويتوقف الشفط. عندئذ يعمل المحرك بصوت مرتفع وتقل قوة الشفط بشكل شديد. في هذه الحالة قم بإيقاف تشغيل المكنسة الكهربائية على الفور. إذا لم تقم بإيقاف الجهاز بعد أن تصل العوامة إلى موضعها العلوي وتنخفض قوة الشفط فسوف يصاب المحرك بضرر كبير. قبل تشغيل الجهاز مرة أخرى قم بتفريغ خزان المياه الملوثة.

إرشاد: إذا سقطت المكنسة الكهربائية على جانبها، فقد تفقد قوة الشفط. في هذه الحالة قم بإيقاف الجهاز عن العمل وإعادته إلى وضعه الراسي مرة أخرى. من خلال ذلك تعود العوامة مرة أخرى إلى موضعها العادي.

البطاريات

يجب إعادة شحن البطارية غير المستخدمة لفترة قبل الاستخدام.

تقل درجات الحرارة التي تتجاوز 50° سيلزيوس (122° فهرنهايت) من أداء البطارية. تجنب التعرض الزائد للحرارة أو أشعة الشمس (خطر التسخين)..

يجب الحفاظ على محتويات الشاحن و البطاريات نظيفة.

للحصول على فترة استخدام مثالية، يجب شحن البطاريات تماماً بعد الاستخدام.

للحصول على أطول عمر ممكن للبطارية، انزع البطارية من الشاحن بمجرد شحنها تماماً.

لتخزين البطارية أكثر من 30 يوم:

خزن البطارية بحيث تكون درجة الحرارة أقل من 27° سيلزيوس وبعيداً عن أي رطوبة.

خزن البطارية مشحونة بنسبة تتراوح بين 30-50 %
اشحن البطارية كامتداد، وذلك كل سفة أشهر من التخزين.

نقل بطاريات الليثيوم

تخضع بطاريات الليثيوم أيون لشروط قوانين نقل السلع الخطرة.

ويجب نقل هذه البطاريات وفقاً للأحكام والقوانين المحلية والوطنية والدولية.

• يمكن للمستخدم نقل البطاريات برأ دون الخضوع لشروط أخرى.

• يخضع النقل التجاري لبطاريات الليثيوم أيون عن طريق الغير إلى قوانين نقل السلع الخطرة. يتعين أن يقوم أفراد مدربون جيداً بالإعداد لعملية النقل والقيام بها بصحبة خبراء مثلهم.

متمى تُنقل البطاريات:

- عند التأكد من حماية أطراف توصيل البطارية و عزلها تجنباً لحدوث قصر بالدائرة.
- عند التأكد من حماية حزمة البطارية من الحركة داخل صندوق التعبئة.
- يُرعى عدم نقل البطاريات التي بها تشققات أو تسربات.
- يُرعى البحث مع شركة الشحن عن نصيحة أخرى

الصيانة

استخدم ملحقات Milwaukee وقطع الغيار التابعة لها فقط. إذا كانت المكونات التي يجب تغييرها غير مذكورة، يرجى الاتصال بأحد عملاء صيانة Milwaukee (انظر قائمة عناوين الضمان/الصيانة الخاصة بنا).

عند الحاجة يمكن طلب رمز انفجار الجهاز بعد ذكر طراز الآلة والرقم السداسي المذكور على بطاقة طاقة الآلة لدى جهة خدمة العملاء أو مباشرة لدى شركة

Techtronic Industries GmbH, Max-Eyth-Straße 10, 71364 Winnenden, ألمانيا

زومرلا

تنبيه! تحذير! خطر!



قم بإزالة حزمة البطارية قبل البدء في أي أعمال على الجهاز.



يرجى قراءة التعليمات بعناية قبل بدء تشغيل الجهاز.



مستوى الحماية الكهربائية III.

4603 30 01.....	إنتاج عدد
...000001-999999	
l/min 1300	معدل تدفق الهواء
mbar 80	ضغط الهواء
17,5	القدرة
H13	سطح المرشح (Hepa)
mm 41	قطر خرطوم الامتصاص
mm 475	خرطوم الامتصاص
V 18	فولتية البطارية
cm 31/21/43	الأبعاد الكلية
kg 4,59	الوزن وفقا لنهج EPTA رقم 01/2003
kg 5,33	الوزن وفقا لنهج EPTA رقم 01/2003 (Ah 5,0)
IP54	فئة الحماية
C° +50...-18	درجة حرارة الجو المحيط المنصوح بها عند العمل
M18B2, M18B4, M18B5, M18B6, M18B9	طرز البطارية المنصوح به
M12-18C, M12-18AC, M12-18FC, M1418C6	أجهزة الشحن المنصوح بها

تحذير!
عليهم أثناء استخدام الجهاز. يتعين ألا يستخدم الأطفال هذا الجهاز أو يقومون بتنظيفه أو اللعب به، حيث يجب إبقاؤه بعيداً عن متناول أيديهم عند عدم الاستخدام.

يجب إبعاد الشعر والملابس الواسعة وأجزاء الجسم عن فتحات الجهاز أو الأجزاء المتحركة به. تجنّب استخدام الجهاز في حالة انسداد إحدى الفتحات وتجنّب إدخال الأجسام في الفتحات. احرص على خلّو الفتحات من الغبار والوبر والشعر والمواد الأخرى، والتي قد تعيق تيار الهواء.

تجنّب استخدام الجهاز في الأماكن المفتوحة في درجات حرارة منخفضة.

لا تستخدم الجهاز لالتقاط سوائل قابلة للاشتعال أو الاحتراق مثل البنزين. تجنّب استخدام الجهاز في أماكن توجد بها مثل تلك السوائل.

يحظر في أي حال من الأحوال، التقاط الأجسام مدخنة أو محترقة (مثل السجائر وأعواد الثقاب والرماد الساخن).

يجب الانتباه بشكل خاص عند تنظيف الدرج.

لا تستخدم الجهاز إلا عند تركيب المرشح.

عندما لا يعمل الجهاز بالشكل الصحيح، أو تعرض للسقوط أو التلف، أو ترك بالخارج أو سقط بالماء، يجب إحضاره إلى ورشة الخدمة أو إلى أحد التجار.

يجب فصل الجهاز على الفور في حالة تكوّن رغوة أو خروج سوائل.

تحذير!
اقرأ جميع تحذيرات السلامة وجميع التعليمات، بما فيها. قد يؤدي الفشل في مراعاة التحذيرات والتعليمات إلى التعرض للإصابة بصدمة كهربية أو الحرق و/أو إصابة خطيرة. احتفظ بجميع التحذيرات والتعليمات للرجوع إليها مستقبلاً.

تعليمات السلامة

تأكد من عدم شطف الآلة لأي مواد سريعة الاشتعال أو مواد متفجرة، أو سوائل مثل البنزين أو الزيوت أو الكحول أو التتر أو أي جسيمات صغيرة (على سبيل المثال بردة الحديد) والتي يمكن أن ترتفع من درجة حرارتها إلى ما يزيد عن 60 درجة مئوية - وإلا ستؤدي إلى الانفجار أو الحرق!
من غير المسموح استخدام الجهاز بالقرب من الغازات أو المواد القابلة للاشتعال. لا تقم بتشغيل الأجهزة أو ملحقاتها، في حالة: ما إذا كان الجهاز به تلف معروف (شقوق أو كسور)، أو إذا كانت موصلات التوصيل الرئيسية بها خلل أو علامات تشقق أو كسر، أو إذا كان هناك عيوب غير مرئية مشتبهة بها (بعد سقوط الجهاز) لا توجه الفتحة أو الخرطوم أو الأنبوية تجاه الأشخاص أو الحيوانات. في حالة خروج أي رغوة أو ماء، قم بإيقاف تشغيل الجهاز فوراً. قم بتفريغ الحاوية والمرشح المطوى إذا لزم الأمر.
قد تسبب كل من الأحماض والأمينوات والزيوت وأكسيدات المواد مكونات الجهاز. لا تتحمل أي مسؤولية فيما يتعلق بحالات التلف الناتجة عن سوء الاستخدام أو التشغيل بشكل غير صحيح، أو الإصلاح من قِبَل أشخاص غير مختصين.
لا تستخدم خاصية الامتصاص للتخلص من الغبار الضار بالصحة. ليس من المناسب استخدام الجهاز لتنظيف السوائل التي تكوّن رغوة كثيفة. قم بإزالة حزمة البطارية قبل البدء في أي أعمال على الجهاز. لا تتخلص من البطاريات المستعملة مع النفايات المنزلية أو بحرقها. يقدم موزعو ميلوكي خدمة استعادة البطاريات القديمة لحماية البيئة.
لا تقم بتخزين البطارية مع الأشياء المعدنية (خطر قصر الدائرة)..
استخدم فقط شواحن System M18 لشحن بطاريات System M18. لا تستخدم بطاريات من أنظمة أخرى.

قد يتسرب حامض البطارية من البطاريات التالفة في ظروف الحمل الزائد بدرجة كبيرة أو في درجات الحرارة الشديدة. في حالة ملامسة حامض البطارية اغسل بديك فوراً بالماء والصابون. في حالة ملامسة السائل للعينين اشطفهما جيداً لمدة 10 دقائق على الأقل واطلب العناية الطبية فوراً.

تحذير! لتجنب أخطار الحرق أو الإصابة أو الإضرار بالمنتج التي تنتج عن الماس الكهربائي، لا تلمس الأداة أو البطارية القابلة للاستبدال أو جهاز الشحن في السوائل والحرص على أن لا تصل السوائل إلى داخل الجهاز والبطارية. السوائل المؤدية للتآكل أو الموصلة للتيار الكهربائي، مثل الماء الصالح ومركبات كيميائية معينة و مواد التبييض أو المنتجات التي تشتمل على مواد تبييض، يمكن أن تؤدي إلى حدوث ماس كهربائي.

هذا الجهاز غير مُعدّ للاستخدام أو التنظيف من قِبَل الأشخاص ذوي القدرات البدنية أو الحسية أو العقلية المحدودة، أو الأشخاص الذين تنقصهم الخبرة والمعرفة إلا بعد إعطائهم تعليمات تتعلق بالاستخدام الآمن للجهاز من قِبَل شخص يتمتع بأهلية قانونية وذلك لسلامتهم. وينبغي الإشراف

Copyright 2017

Techtronic Industries GmbH
Max-Eyth-Straße 10
71364 Winnenden
Germany
+49 (0) 7195-12-0



(09.17)

4931 4149 40