

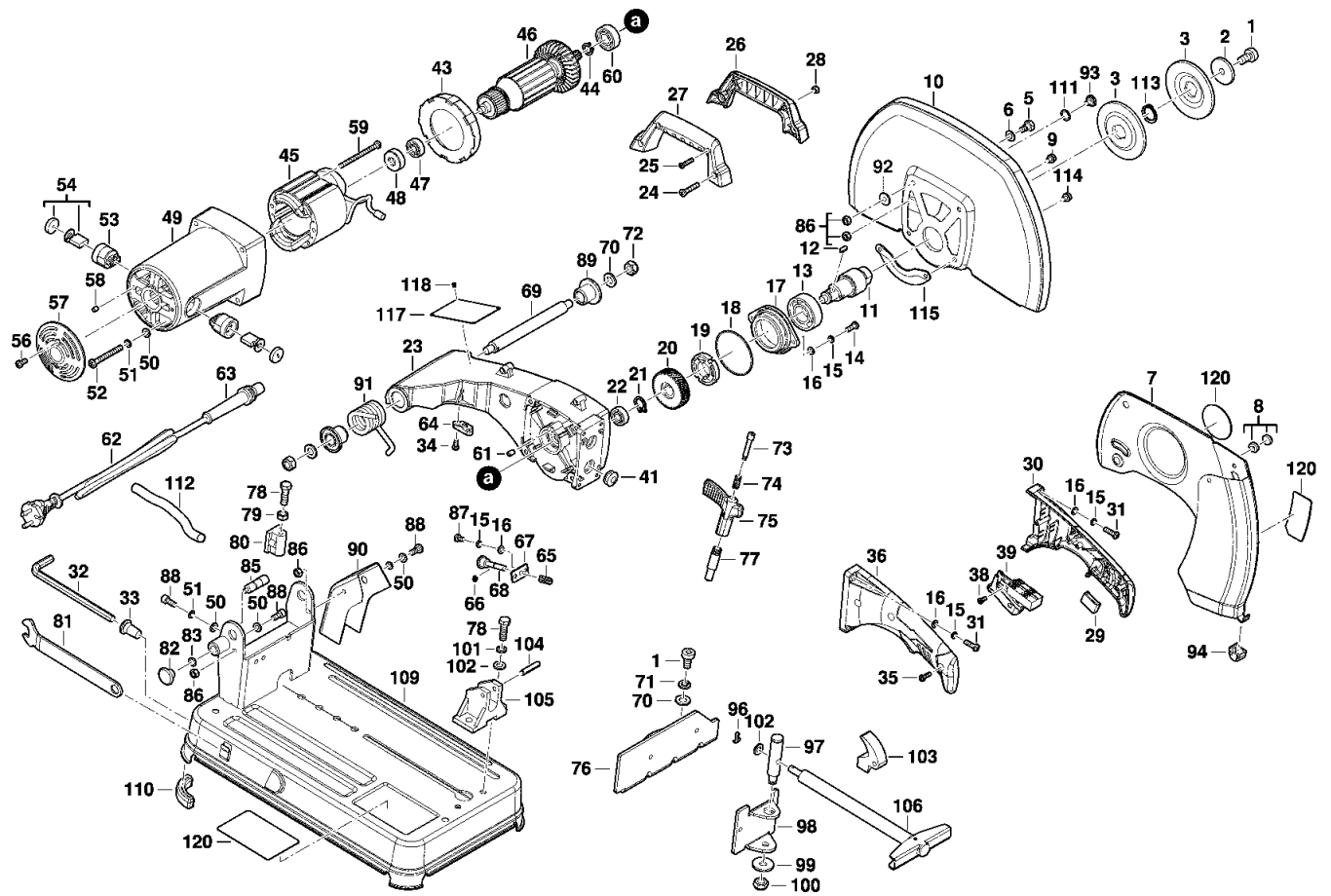
A & M Electric Tools

Various tools

Ind	Product No.	Type	Voltage	Country
a	4000411761	CHS355	230V	IN2
b	4000410356	CHS355	240V	GB2
c	4000410361	CHS355	110V	GB1

Ind	Product No.	Type	Voltage	Country

Milwaukee	
CHS 355	
Exp.view No.	Version Date Page
4926 4117 67	0002 20.06.11 1/3



Pos	Index	Quanti	Article No.	Designation
0001	abc.....	1	4931431000	SCREW
0002	abc.....	1	4931431001	WASHER
0003	abc.....	1	4931431002	FLANGE
0005	abc.....	1	4931431003	SCREW
0006	abc.....	1	4931431004	WASHER
0007	abc.....	1	4931431005	GUARD CAP
0008	abc.....	1	4931431006	RUBBER BUFFER
0009	abc.....	1	4931431007	SCREW
0010	abc.....	1	4931431008	GUARD CAP
0011	abc.....	1	4931431010	SPINDLE
0012	abc.....	1	4931431011	KEY
0013	abc.....	1	4931431012	BEARING
0014	abc.....	1	4931431013	SCREW
0015	abc.....	1	4931431014	SPRING WASHER
0016	abc.....	1	4931431015	WASHER
0017	abc.....	1	4931431016	FLANGE
0018	abc.....	1	4931431017	O-RING
0019	abc.....	1	4931431018	LOCK
0020	abc.....	1	4931431019	GEAR
0021	abc.....	1	4931431020	RETAINER
0022	abc.....	1	4931431021	BEARING
0023	abc.....	1	4931431022	LEVER

Pos	Index	Quanti	Article No.	Designation
0024	abc.....	1	4931431023	SCREW
0025	abc.....	1	4931431024	SCREW
0026	abc.....	1	4931431025	HANDLE
0027	abc.....	1	4931431026	HANDLE
0028	abc.....	1	4931431027	HEXAGON NUT
0029	abc.....	1	4931431028	CAPACITOR
0030	abc.....	1	4931431029	HANDLE
0031	abc.....	1	4931431030	SCREW
0032	abc.....	1	4931431031	HEX WRENCH
0033	abc.....	1	4931431032	SLEEVE
0034	abc.....	1	4931431033	SCREW
0035	abc.....	1	4931431034	SCREW
0036	abc.....	1	4931431035	HANDLE LEFT
0038	abc.....	1	4931431036	SCREW
0039	abc.....	1	4931431037	SWITCH
0041	abc.....	1	4931431038	RUBBER SLEEVE
0043	abc.....	1	4931431039	PLATE
0044	abc.....	1	4931431040	RETAINING RING
0045	ab.....	1	4931431042	ELECTRIC FIELD
0045	.c.....	1	4931431041	ELECTRIC FIELD
0046	ab.....	1	4931431044	ASSEMBLY
0046	.c.....	1	4931431043	ASSEMBLY

Repairs/modification and testing of electric power tools are to be carried out by specialists. The safety regulations according to DIN/VDE/CEE/AFNOR and other regulations valid in the different countries are to be observed.

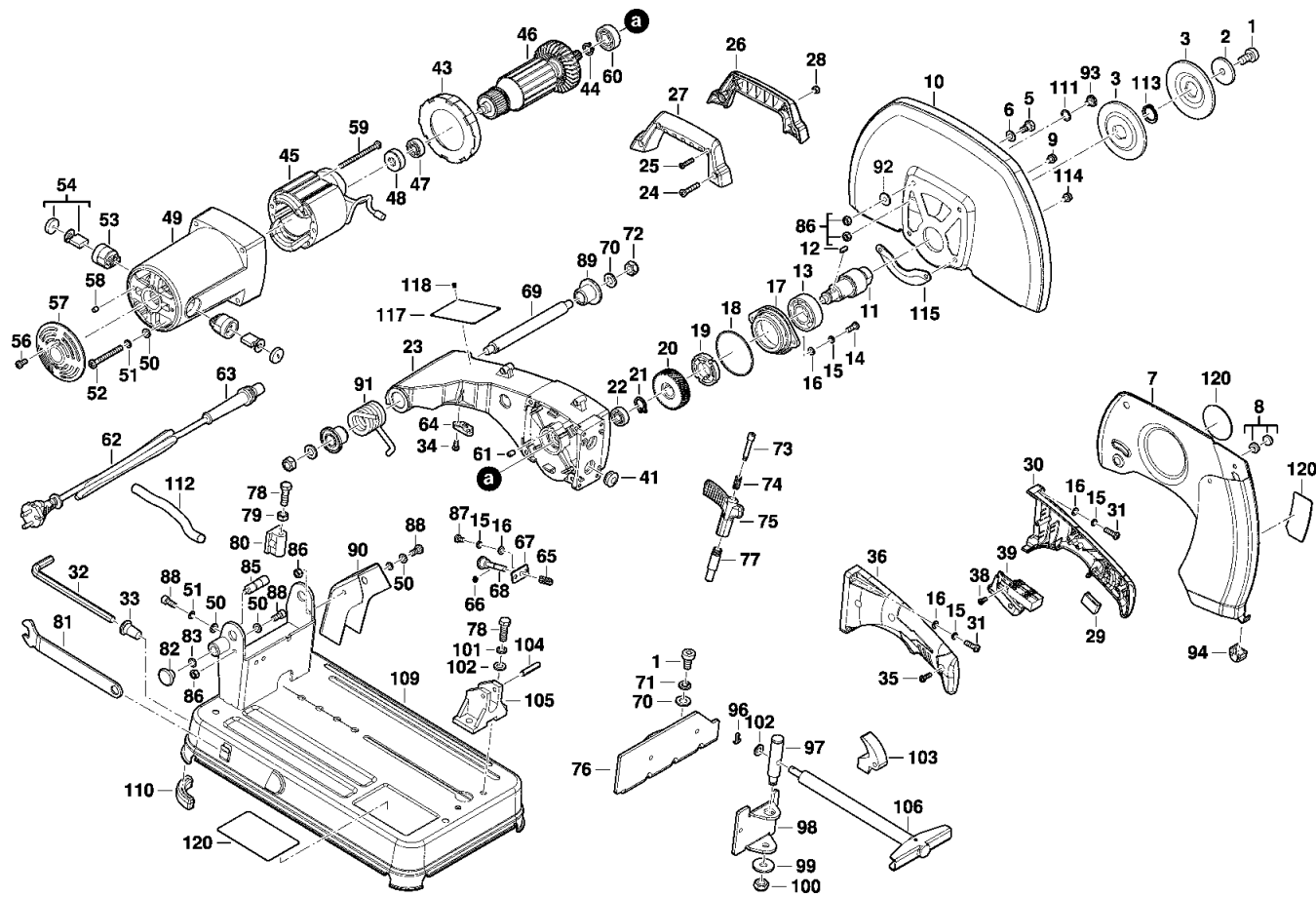
A & M Electric Tools

Various tools

Ind	Product No.	Type	Voltage	Country
a	4000411761	CHS355	230V	IN2
b	4000410356	CHS355	240V	GB2
c	4000410361	CHS355	110V	GB1

Ind	Product No.	Type	Voltage	Country
-----	-------------	------	---------	---------

Milwaukee				
CHS 355				
Exp.view No.	Version	Date	Page	
4926 4117 67	0002	20.06.11	2/3	



Pos	Index	Quanti	Article No.	Designation
0047	abc.....	1	4931431045	BEARING
0048	abc.....	1	4931431046	BEARING BUSH
0049	abc.....	1	4931431047	MOTOR HOUSING
0050	abc.....	1	4931431048	WASHER
0051	abc.....	1	4931431049	SPRING WASHER
0052	abc.....	1	4931431050	SCREW
0053	abc.....	1	4931431051	BRUSH HOLDER
0054	ab.....	1	4931431053	CARBON BRUSH SET
0054	..c.....	1	4931431052	CARBON BRUSH SET
0056	abc.....	1	4931431054	SCREW
0057	abc.....	1	4931431055	END COVER CAP
0058	abc.....	1	4931431056	SET SCREW
0059	abc.....	1	4931431057	SCREW
0060	abc.....	1	4931431058	BEARING
0061	abc.....	1	4931431059	PIN
0062	a.....	1	4931431060	CONNECTION CABLE
0062	b.....	1	4931431062	CONNECTION CABLE
0062	..c.....	1	4931431061	CONNECTION CABLE
0063	ab.....	1	4931431064	PROTECTION SLEEVE
0063	..c.....	1	4931431063	PROTECTION SLEEVE
0064	ab.....	1	4931431066	CABLE CLAMP
0064	..c.....	1	4931431065	CABLE CLAMP

Pos	Index	Quanti	Article No.	Designation
0065	abc.....	1	4931431067	SPRING ELEMENT
0066	abc.....	1	4931431068	RETAINER
0067	abc.....	1	4931431069	PLATE
0068	abc.....	1	4931431070	LOCKING PIN
0069	abc.....	1	4931431071	SHAFT
0070	abc.....	1	4931431072	WASHER
0071	abc.....	1	4931431073	SPRING WASHER
0072	abc.....	1	4931431074	NUT
0073	abc.....	1	4931431075	SCREW
0074	abc.....	1	4931431076	SPRING
0075	abc.....	1	4931431077	HANDLE
0076	abc.....	1	4931431078	VICE
0077	abc.....	1	4931431079	BOLT
0078	abc.....	1	4931431080	SCREW
0079	abc.....	1	4931431081	HEXAGON NUT
0080	abc.....	1	4931431082	STOPPER
0081	abc.....	1	4931431083	WRENCH
0082	abc.....	1	4931431084	LOCK BOTTON
0083	abc.....	1	4931431085	O-RING
0085	abc.....	1	4931431086	LOCKING BOLT
0086	abc.....	1	4931431087	NUT
0087	abc.....	1	4931431088	SCREW

Repairs/modification and testing of electric power tools are to be carried out by specialists. The safety regulations according to DIN/VDE/CEE/AFNOR and other regulations valid in the different countries are to be observed.

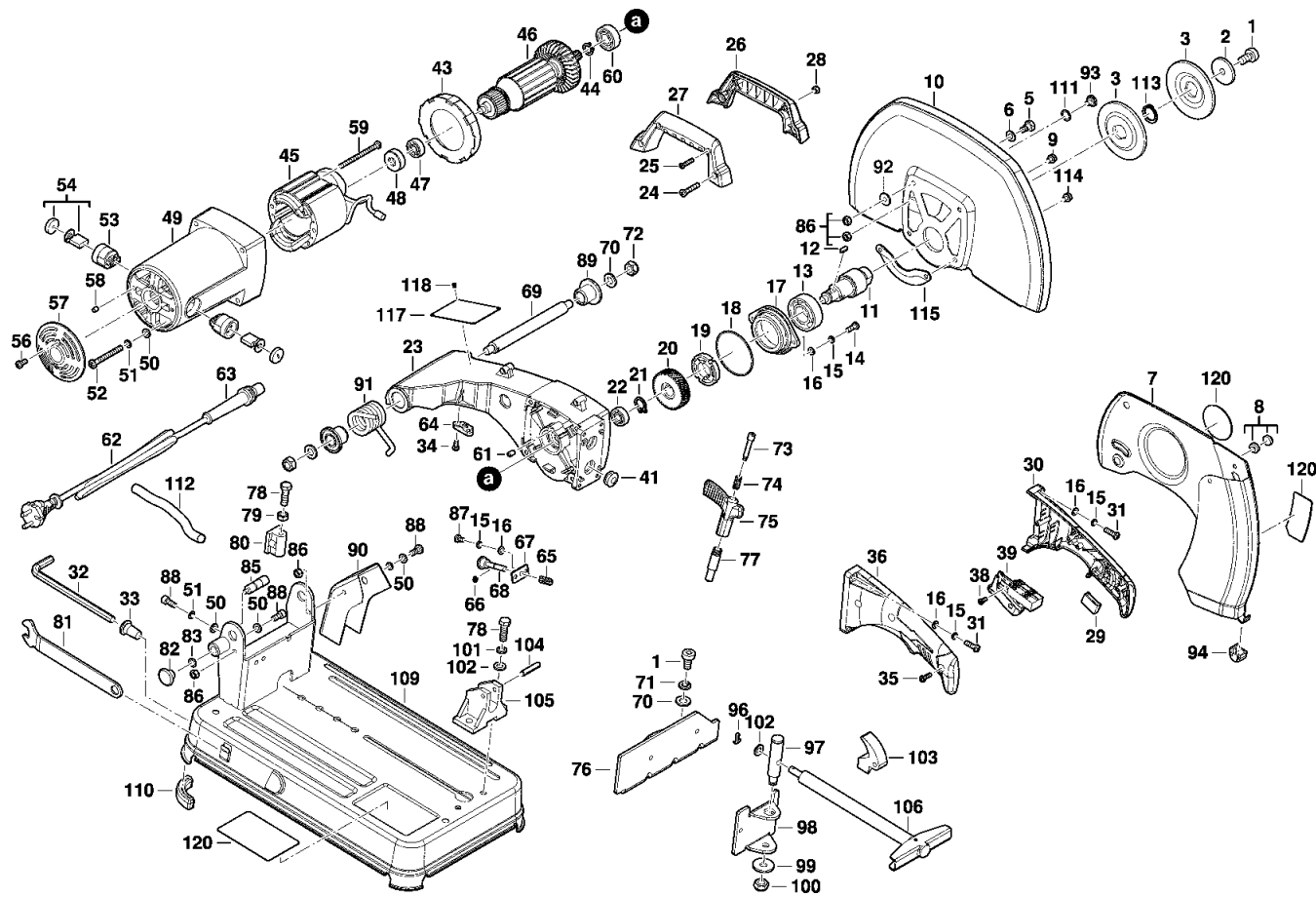
A & M Electric Tools

Various tools

Ind	Product No.	Type	Voltage	Country
a	4000411761	CHS355	230V	IN2
b	4000410356	CHS355	240V	GB2
c	4000410361	CHS355	110V	GB1

Ind	Product No.	Type	Voltage	Country
-----	-------------	------	---------	---------

Milwaukee	
CHS 355	
Exp.view No.	Version Date Page
4926 4117 67	0002 20.06.11 3/3



Pos	Index	Quanti	Article No.	Designation
0088	abc.....	1	4931431089	SCREW
0089	abc.....	1	4931431090	SLEEVE
0090	abc.....	1	4931431091	GUARD CAP
0091	abc.....	1	4931431092	TORSION SPRING
0092	abc.....	1	4931431093	WASHER
0093	abc.....	1	4931431094	SCREW
0094	abc.....	1	4931431095	GUARD CAP
0096	abc.....	1	4931431097	PIN
0097	abc.....	1	4931431098	SHAFT
0098	abc.....	1	4931431099	CLAMP
0099	abc.....	1	4931431100	WASHER
0100	abc.....	1	4931431101	LOCKING NUT
0101	abc.....	1	4931431102	SPRING WASHER
0102	abc.....	1	4931431103	WASHER
0103	abc.....	1	4931431104	NUT
0104	abc.....	1	4931431105	PIN
0105	abc.....	1	4931431106	ACCEPTANCE
0106	abc.....	1	4931431107	CLAMPING GIP
0109	abc.....	1	4931431108	BASE PLATE
0110	abc.....	1	4931431109	RUBBER FOOT
0111	abc.....	1	4931431110	WASHER
0112	abc.....	1	4931431111	INSULATION

Pos	Index	Quanti	Article No.	Designation
0113	abc.....	1	4931431112	RETAINER
0114	abc.....	1	4931431113	SCREW
0115	abc.....	1	4931431114	PLATE
0117	a.....	1	4931431115	RATING PLATE
0117	.b.....	1	4931431117	RATING PLATE
0117	.c.....	1	4931431116	RATING PLATE
0118	abc.....	1	4931431118	RIVET
0120	abc.....	1	4931431119	LABEL

Repairs/modification and testing of electric power tools are to be carried out by specialists. The safety regulations according to DIN/VDE/CEE/AFNOR and other regulations valid in the different countries are to be observed.