

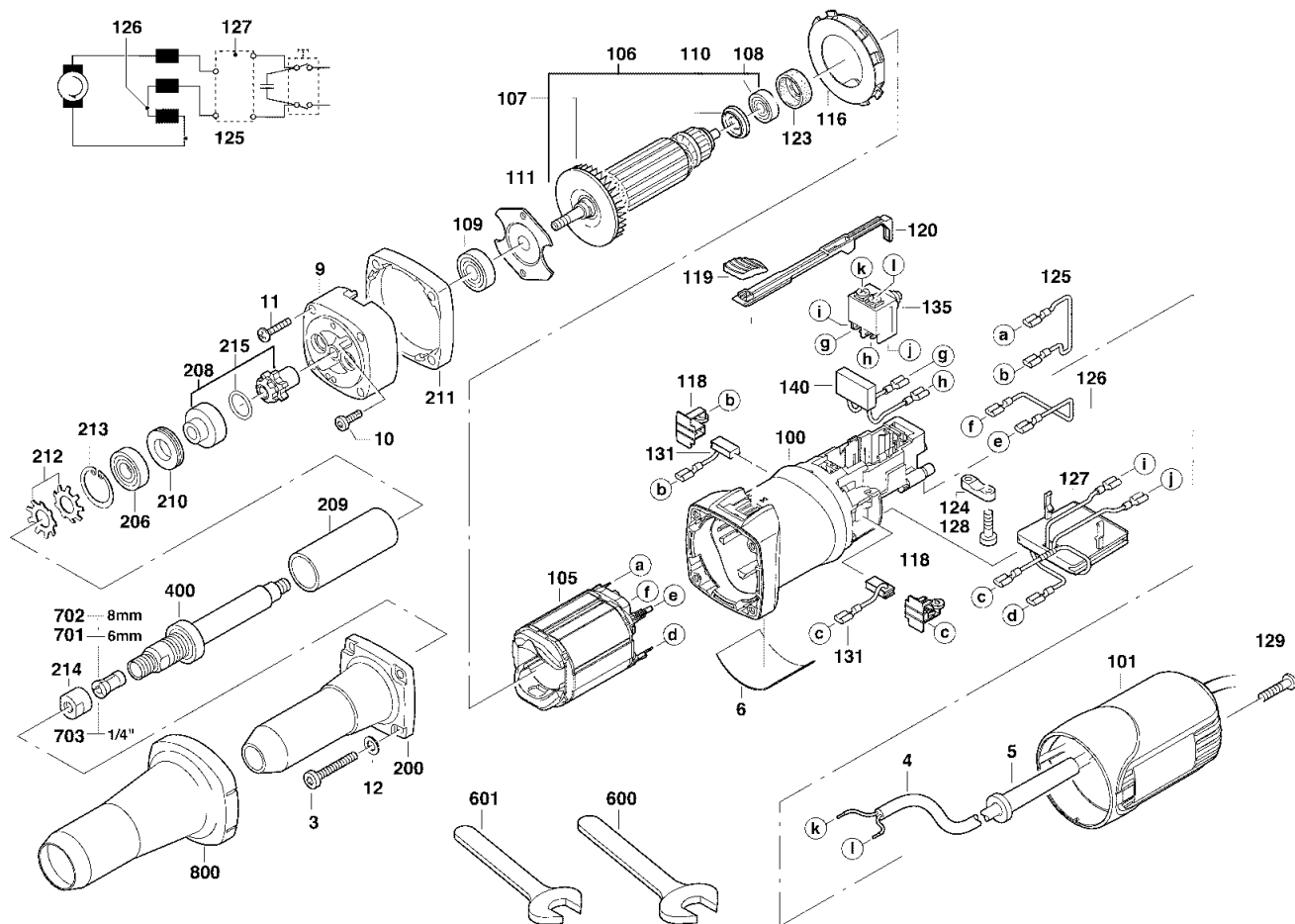
A & M Electric Tools

Various tools

| Ind | Product No. | Type | Voltage | Country |
|-----|-------------|--------|----------|---------|
| a | 4000415240 | DGL30E | 220-240V | IN2 |

| Ind | Product No. | Type | Voltage | Country |
|-----|-------------|------|---------|---------|
| | | | | |

| Milwaukee | | | |
|--------------|---------|----------|------|
| DGL 30 E | | | |
| Exp.view No. | Version | Date | Page |
| 4926 4152 44 | 0002 | 03.12.09 | 1/2 |



| Pos | Index | Quanti | Article No. | Designation | Pos | Index | Quanti | Article No. | Designation |
|------|--------|--------|-------------|--------------------|------|--------|--------|-------------|--------------------|
| 0003 | a..... | 4 | 4931317532 | SCREW | 0124 | a..... | 1 | 4931256500 | CABLE COLLAR |
| 0004 | a..... | 1 | 4931624121 | CONNECTION CABLE | 0125 | a..... | 1 | 4931624081 | WIRE |
| 0005 | a..... | 1 | 4931206687 | CABLE ENTRY SLEEVE | 0126 | a..... | 1 | 4931253598 | WIRE |
| 0006 | a..... | 1 | 4931415241 | RATING PLATE | 0127 | a..... | 1 | 4931385106 | ELECTRIC ELEMENT |
| 0009 | a..... | 1 | 4931415131 | BEARING END PLATE | 0128 | a..... | 2 | 4931624538 | SCREW |
| 0010 | a..... | 2 | 4931279999 | SCREW | 0129 | a..... | 2 | 4931618253 | SCREW |
| 0011 | a..... | 4 | 4931622399 | SCREW | 0131 | a..... | 1 | 4931392611 | CARBON BRUSH SET |
| 0012 | a..... | 4 | 4931617414 | SEALING WASHER | 0135 | a..... | 1 | 4931351849 | SWITCH |
| 0100 | a..... | 1 | 4931403004 | MOTOR HOUSING | 0140 | a..... | 1 | 4931403213 | CAPACITOR |
| 0101 | a..... | 1 | 4931403010 | HOUSING CAP | 0200 | a..... | 1 | 4931412973 | BEARING CAGE |
| 0105 | a..... | 1 | 4931385545 | ELECTRIC FIELD | 0206 | a..... | 1 | 4931804500 | BALL BEARING |
| 0106 | a..... | 1 | 4931393154 | ARMATURE | 0208 | a..... | 1 | 4931417294 | MODIFICATION SET |
| 0107 | a..... | 1 | 4931368347 | FAN | 0209 | a..... | 1 | 4931208217 | DISTANCE SLEEVE |
| 0108 | a..... | 1 | 4931902888 | BALL BEARING | 0210 | a..... | 1 | 4931208219 | NUT |
| 0109 | a..... | 1 | 4931901253 | BALL BEARING | 0211 | a..... | 1 | 4931354044 | INTERMEDIATE FLANG |
| 0110 | a..... | 1 | 4931385658 | INSULATING DISC | 0212 | a..... | 2 | 4931220726 | SPRING |
| 0111 | a..... | 1 | 4931351913 | BEARING COVER | 0213 | a..... | 1 | 4931884220 | LOCKING RING |
| 0116 | a..... | 1 | 4931368549 | AIR DEFLECTOR RING | 0214 | a..... | 1 | 4931407551 | CLAMPING NUT |
| 0118 | a..... | 2 | 4931368633 | BRUSH HOLDER | 0215 | a..... | 1 | 4931623232 | SEAL RING |
| 0119 | a..... | 1 | 4931368501 | SLIDER | 0400 | a..... | 1 | 4931278595 | GRINDING SPINDLE |
| 0120 | a..... | 1 | 4931368333 | GUIDE PIECE | 0600 | a..... | 1 | 4931822228 | KEY |
| 0123 | a..... | 1 | 4931393018 | RUBBER SLEEVE | 0601 | a..... | 1 | 4931606563 | KEY |

Repairs/modification and testing of electric power tools are to be carried out by specialists. The safety regulations according to DIN/VDE/CEE/AFNOR and other regulations valid in the different countries are to be observed.

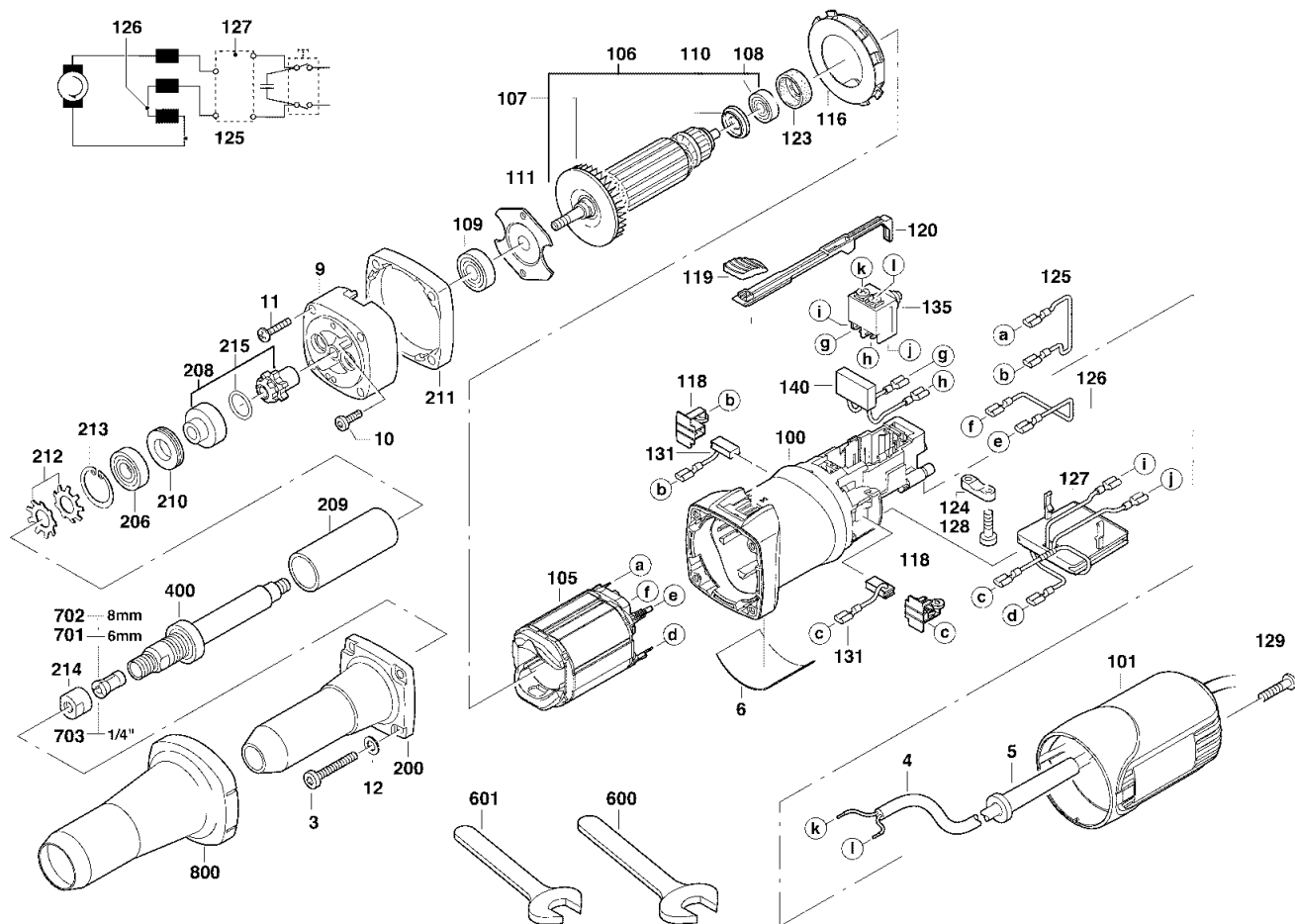
A & M Electric Tools

Various tools

| | | | | |
|-----|-------------|--------|----------|---------|
| Ind | Product No. | Type | Voltage | Country |
| a | 4000415240 | DGL30E | 220-240V | IN2 |

| | | | | |
|-----|-------------|------|---------|---------|
| Ind | Product No. | Type | Voltage | Country |
| | | | | |

| | | | |
|-----------------|---------|----------|------|
| Milwaukee | | | |
| DGL 30 E | | | |
| Exp.view No. | Version | Date | Page |
| 4926 4152 44 | 0002 | 03.12.09 | 2/2 |



| Pos | Index | Quanti | Article No. | Designation |
|------|--------|--------|-------------|-------------|
| 0701 | a..... | 1 | 4932313192 | COLLET |
| 0702 | a..... | 1 | 4932313190 | COLLET |
| 0703 | a..... | 1 | 4932313194 | COLLET |
| 0800 | a..... | 1 | 4931378008 | SLEEVE |

| Pos | Index | Quanti | Article No. | Designation |
|-----|-------|--------|-------------|-------------|
| | | | | |