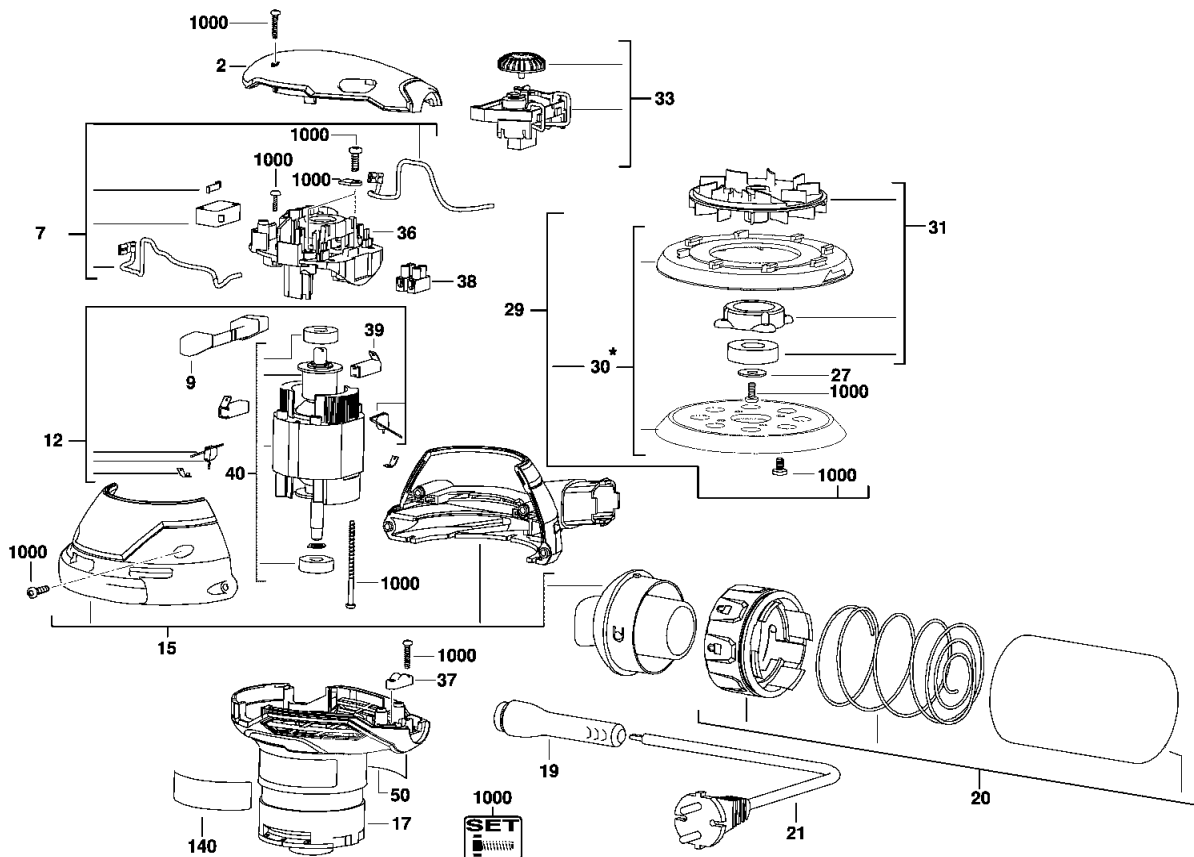


A & M Electric Tools

Orbital Sanders

Ind	Product No.	Type	Voltage	Country	Ind	Product No.	Type	Voltage	Country
a	4000416101	EX125ES	230V	IN2					
b	4000410711	EX125ES	240V	GB2					

AEG			
EX 125 ES			
Exp.view No.	Version	Date	Page
4926 4161 03	0002	25.08.11	1/1



* available till part is consumed

Pos	Index	Quanti	Article No.	Designation	Pos	Index	Quanti	Article No.	Designation
0002	ab.....	1	520403002	HOUSING COVER	0140	.b.....	1	4931410714	RATING PLATE
0007	ab.....	1	201620007	SWITCH ASSEMBLY	1000	ab.....	1	201620008	BOLT SET
0009	ab.....	1	520421002	SWITCH LEVER					
0012	ab.....	1	201620005	CAPACITOR					
0015	ab.....	1	201620003	HOUSING BOTTOM					
0017	ab.....	1	520405002	HOUSING SET ASSY					
0019	ab.....	1	560963001	CABLE ENTRY SLEEVE					
0020	ab.....	1	300027083	DUST BAG					
0021	a.....	1	730351012	CONNECTION CABLE					
0021	.b.....	1	730352020	CONNECTION CABLE					
0027	ab.....	1	671039001	WASHER					
0029	ab.....	1	4932352870	SANDING PAD					
0030	ab.....	1	201620002	GRINDING DISK					
0031	ab.....	1	201620001	FAN					
0033	ab.....	1	201620006	PRINT.CURIUT SWITCH					
0036	ab.....	1	521908001	BEARING END PLATE					
0037	ab.....	1	590924003	CABLE CLAMP					
0038	ab.....	1	690331003	JOINING PART					
0039	ab.....	1	290484001	CARBON BRUSH SET					
0040	ab.....	1	201620004	MOTOR					
0050	ab.....	1	4931413099	NAME PLATE					
0140	a.....	1	4931416106	RATING PLATE					

Repairs/modification and testing of electric power tools are to be carried out by specialists. The safety regulations according to DIN/VDE/CEE/AFNOR and other regulations valid in the different countries are to be observed.