

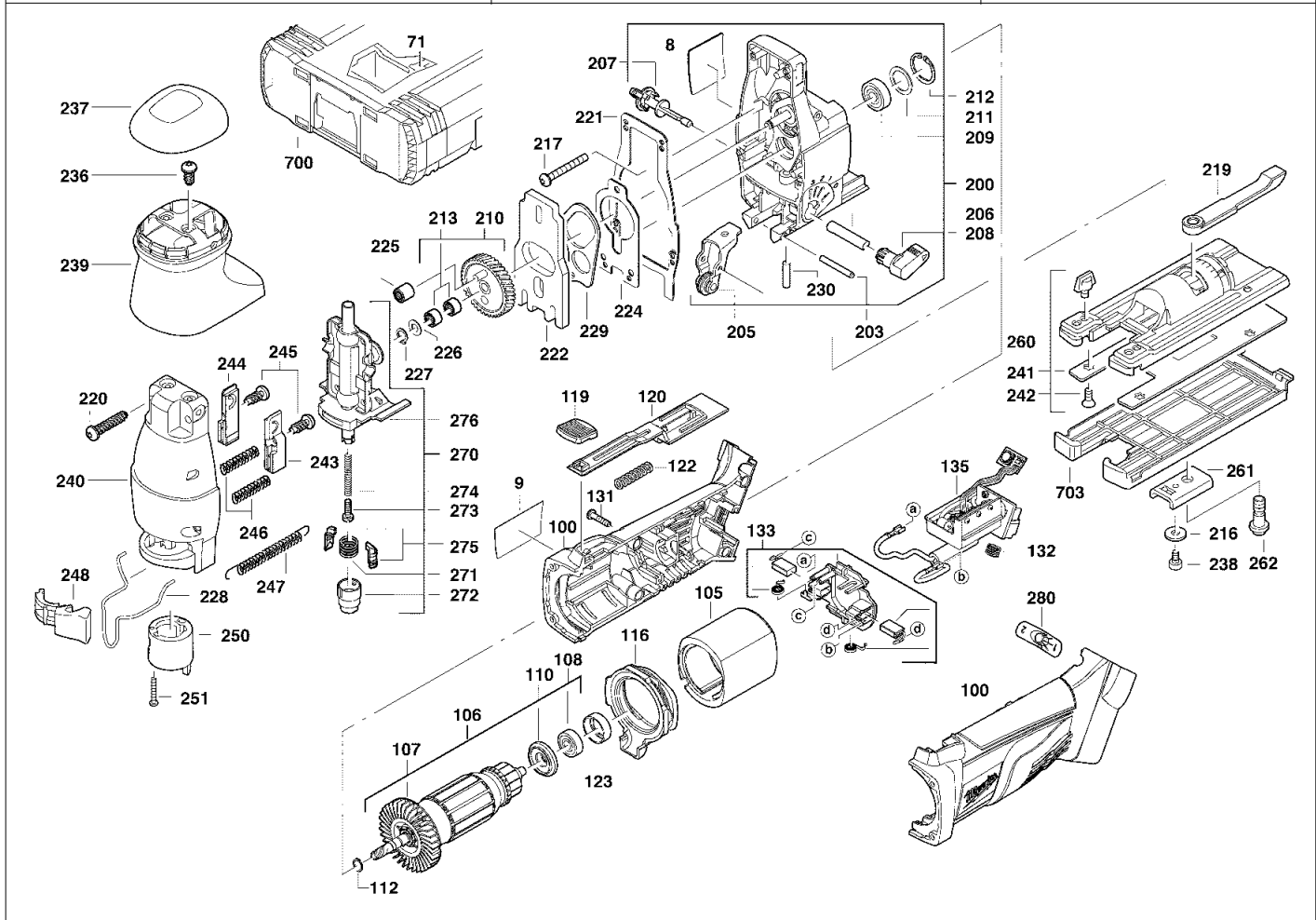
# A & M Electric Tools

# Battery Tools

Ind Product No.	Type	Voltage	Country
a 4000403038	M18JSB	18V	***

Ind Product No.	Type	Voltage	Country

Milwaukee			
<b>HD 18 JSB-32 C</b>			
Exp.view No.	Version	Date	Page
4926 4175 18	0002	16.11.10	1/2



Pos	Index	Quanti	Article No.	Designation	Pos	Index	Quanti	Article No.	Designation
0008	a.....	1	4931401781	SAW TABLE	0206	a.....	1	4931381103	INDEXING BOLT
0009	a.....	1	4931417494	RATING PLATE	0207	a.....	1	4931381156	SWITCH
0071	a.....	1	4931415359	INSERT	0208	a.....	1	4931378812	SWITCH HANDLE
0100	a.....	1	4931403016	HOUSING	0209	a.....	1	4931621829	BALL BEARING
0105	a.....	1	4931408258	ELECTRIC FIELD	0210	a.....	1	4931401766	GEAR
0106	a.....	1	4931395147	MOTOR ASSEMBLY	0211	a.....	1	4931803914	SEALING WASHER
0107	a.....	1	4931342793	FAN	0212	a.....	1	4931613683	LOCKING RING
0108	a.....	1	4931623951	BALL BEARING	0213	a.....	2	4931219422	NEEDLE BEARING
0110	a.....	1	4931392383	INSULATING DISC	0216	a.....	1	4931622131	DISC
0112	a.....	1	4931605103	RING	0217	a.....	4	4931621515	SCREW
0116	a.....	1	4931417412	AIR DEFLECTOR RING	0219	a.....	1	4931381610	TENSION LEVER
0119	a.....	1	4931417492	SLIDER	0220	a.....	4	4931623020	SCREW
0120	a.....	1	4931417493	SWITCH BAR	0221	a.....	1	4931381656	SEAL
0122	a.....	1	4931327696	PRESSURE SPRING	0222	a.....	1	4931381109	BALANCE WEIGHT
0123	a.....	1	4931351729	RUBBER SLEEVE	0224	a.....	1	4931357577	SHIM
0131	a.....	4	4931624515	SCREW	0225	a.....	1	4931361376	NEEDLE BUSH
0132	a.....	1	4931408243	PRESSURE SPRING	0226	a.....	1	4931621830	DISC
0133	a.....	1	4931395223	BRUSH HOLDER	0227	a.....	1	4931605092	RING
0135	a.....	1	4931403048	ELECTRONIC	0228	a.....	1	4931357982	WIRE STRAP
0200	a.....	1	4931401779	GEAR BOX ASSY	0229	a.....	1	4931357522	ROCKER BAR
0203	a.....	1	4931621942	PIN	0230	a.....	1	4931381112	CYLINDER PIN
0205	a.....	1	4931330051	HOLDER	0236	a.....	2	4931623048	SCREW

Repairs/modification and testing of electric power tools are to be carried out by specialists. The safety regulations according to DIN/VDE/CEE/AFNOR and other regulations valid in the different countries are to be observed.

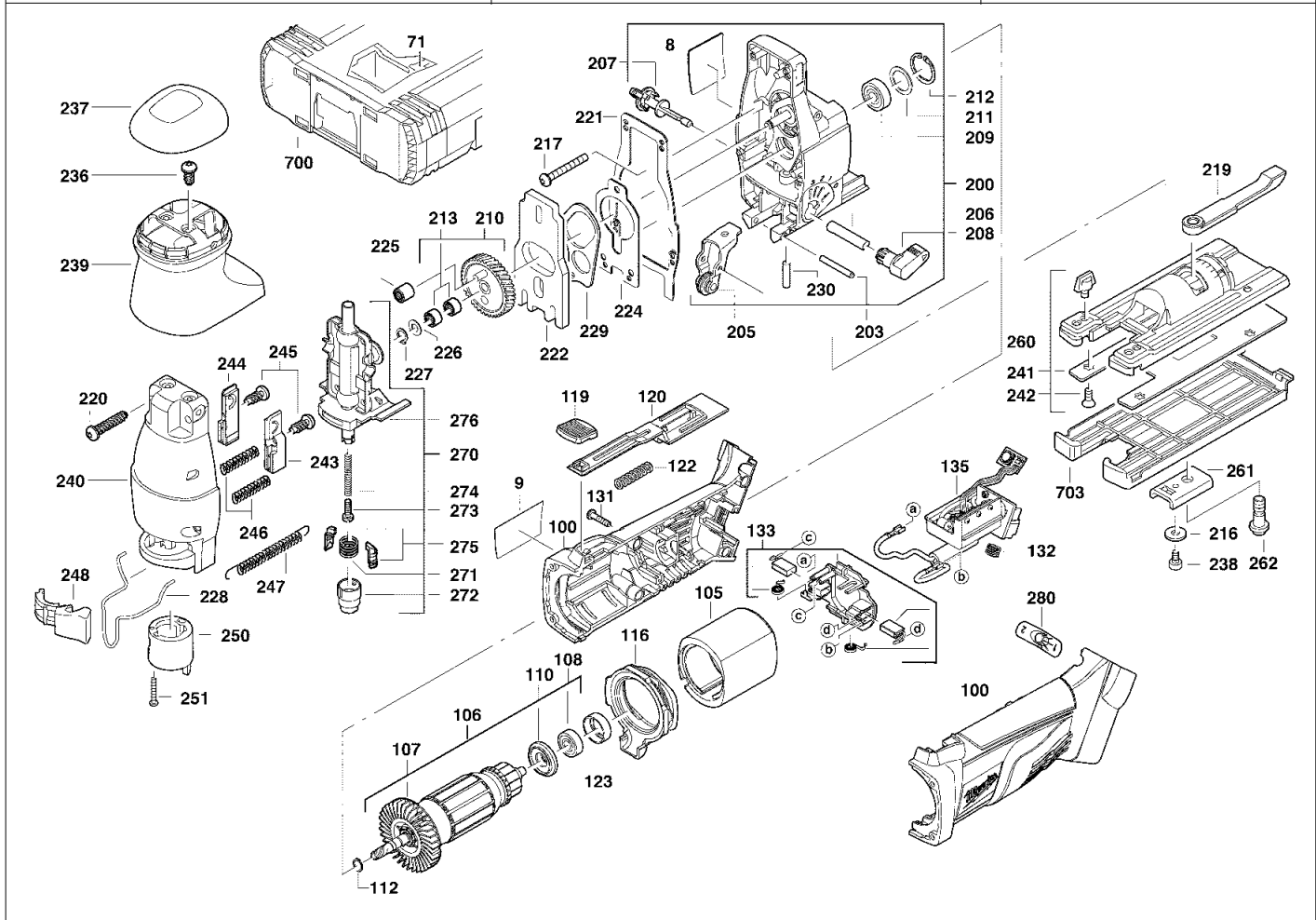
# A & M Electric Tools

# Battery Tools

Ind Product No.	Type	Voltage	Country
a 4000403038	M18JSB	18V	***

Ind Product No.	Type	Voltage	Country

Milwaukee			
<b>HD 18 JSB-32 C</b>			
Exp.view No.	Version	Date	Page
4926 4175 18	0002	16.11.10	2/2



Pos	Index	Quanti	Article No.	Designation
0237	a.....	1	4931330272	BALL LID
0238	a.....	1	4931300699	SCREW
0239	a.....	1	4931330271	KNOB HANDLE
0240	a.....	1	4931412834	GEAR BOX COVER
0241	a.....	1	4931412827	GROUND PLATE
0242	a.....	4	4931310396	SCREW
0243	a.....	1	4931357986	SLIDE BEARING
0244	a.....	1	4931357985	SLIDE BEARING
0245	a.....	2	4931317532	SCREW
0246	a.....	2	4931341759	PRESSURE SPRING
0247	a.....	1	4931330453	TENSION SPRING
0248	a.....	1	4931381159	SWITCH LEVER
0250	a.....	1	4931381158	INDEXING SLEEVE
0251	a.....	1	4931624172	SCREW
0260	a.....	1	4931412827	GROUND PLATE
0261	a.....	1	4931357588	THRUST PIECE
0262	a.....	1	4931381124	SCREW
0270	a.....	1	4931357693	RAM
0271	a.....	1	4931330424	TORSION SPRING
0272	a.....	1	4931330494	COLLET
0273	a.....	1	4931623102	SCREW
0274	a.....	1	4931357686	PRESSURE SPRING

Pos	Index	Quanti	Article No.	Designation
0275	a.....	2	4931330303	CENTERING JAW
0276	a.....	1	4931623091	SEAL RING
0280	a.....	1	4931417520	ADHESIVE LABEL
0700	a.....	1	4932378986	CARRYING CASE
0703	a.....	1	4932357881	GUIDE SHOE

Repairs/modification and testing of electric power tools are to be carried out by specialists. The safety regulations according to DIN/VDE/CEE/AFNOR and other regulations valid in the different countries are to be observed.