

A & M Electric Tools

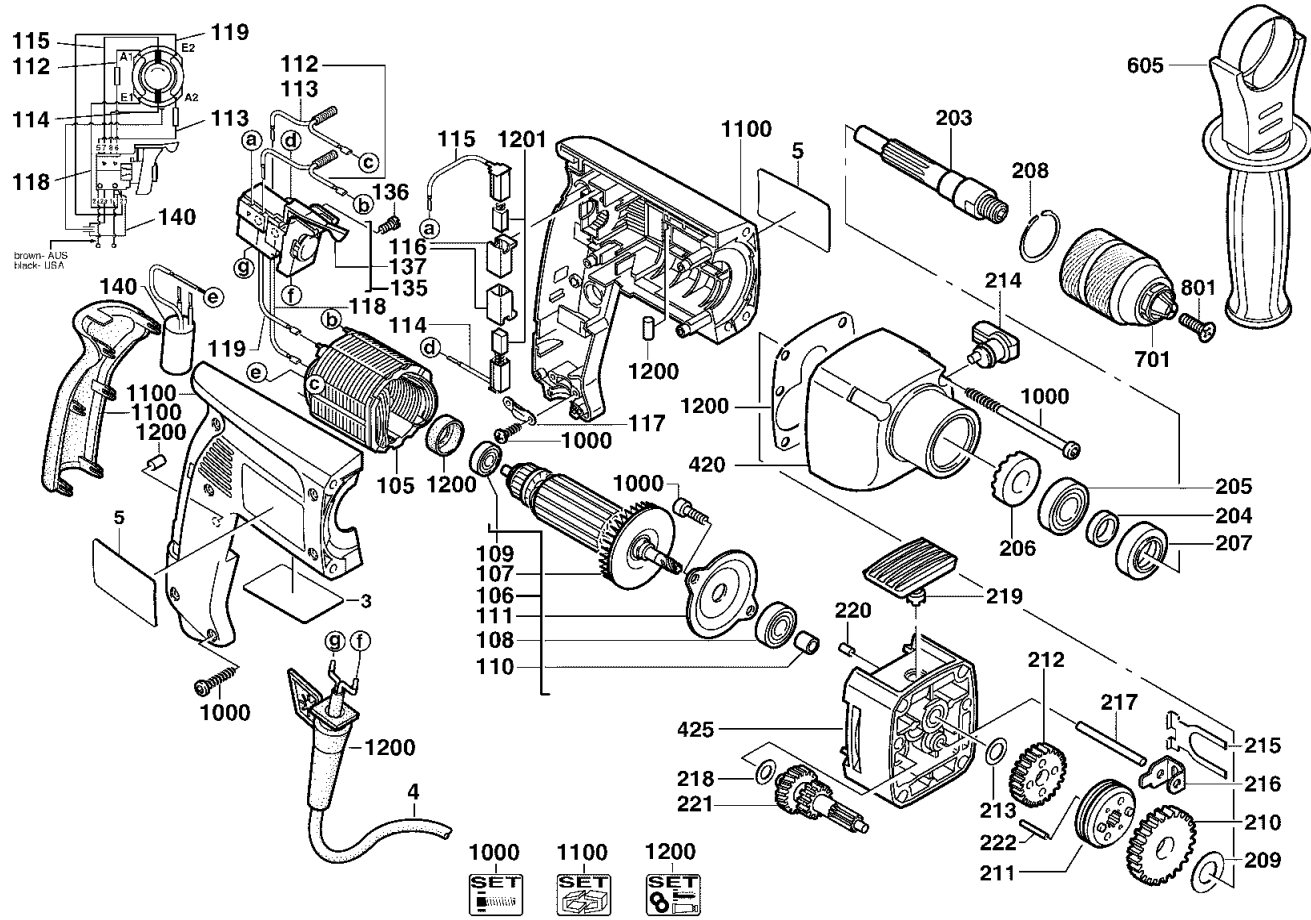
Drills

Milwaukee HD2E13R

Exp.view No. Version Date Page
4926 3901 90 0001 18.02.03 1/2

Ind Product No. Type	Voltage Country
a 4000390187 HD2E13R	220-240V IN2

Ind Product No. Type	Voltage Country



Pos	Index	Quanti	Article No.	Designation	Pos	Index	Quanti	Article No.	Designation
0003	a.....	1	4931390194	RATING PLATE	0203	a.....	1	4931372776	DRILL SPINDLE
0004	a.....	1	4931622543	CONNECTION CABLE	0204	a.....	1	4931267415	SLEEVE
0005	a.....	2	4931378806	TYPE PLATE	0205	a.....	1	4931891058	BALL BEARING
0105	a.....	1	4931310648	ELECTRIC FIELD	0206	a.....	1	4931267571	PERCUSSION SLEEVE
0106	a.....	1	4931390193	ARMATURE	0207	a.....	1	4931267522	SEAL RING
0107	a.....	1	4931302487	FAN	0208	a.....	1	4931890311	LOCKING RING
0108	a.....	1	4931368037	GROOVED BALL BEAR.	0209	a.....	1	4931621647	DISC
0109	a.....	1	4931901253	BALL BEARING	0210	a.....	1	4931267558	DRILL SPINDLE WHEEL
0110	a.....	1	4931267945	BUSHING	0211	a.....	1	4931307130	JUMPER RING
0111	a.....	1	4931267585	BEARING COVER	0212	a.....	1	4931267596	DRILL SPINDLE WHEEL
0112	a.....	1	4931623023	CHOKING COIL	0213	a.....	1	4931621679	DISC
0113	a.....	1	4931622291	CHOKING COIL	0214	a.....	1	4931339525	SWITCH LEVER
0114	a.....	1	4931271665	BRUSH HOLDER	0215	a.....	1	4931307118	RETAINING SPRING
0115	a.....	1	4931622292	BRUSH HOLDER	0216	a.....	1	4931267576	SWITCH LEVER
0116	a.....	2	4931315039	BRUSH HOLDER	0217	a.....	1	4931621731	PIN
0117	a.....	1	4931256500	CABLE COLLAR	0218	a.....	1	4931621715	DISC
0118	a.....	1	4931253699	CABLE	0219	a.....	1	4931267591	CAP
0119	a.....	1	4931622262	WIRE	0220	a.....	1	4931621770	PIN
0135	a.....	1	4931382377	SWITCH BOARD	0221	a.....	1	4931267597	REDUCTION GEAR
0136	a.....	2	4931621772	SCREW	0222	a.....	2	4931621732	PIN
0137	a.....	1	4931344905	SWITCH LEVER	0420	a.....	1	4931380479	GEAR BOX ASSY
0140	a.....	1	4931622384	CAPACITOR	0425	a.....	1	4931390198	BEARING END PLATE

Repairs/modification and testing of electric power tools are to be carried out by specialists. The safety regulations according to DIN/VDE/CEE/AFNOR and other regulations valid in the different countries are to be observed.

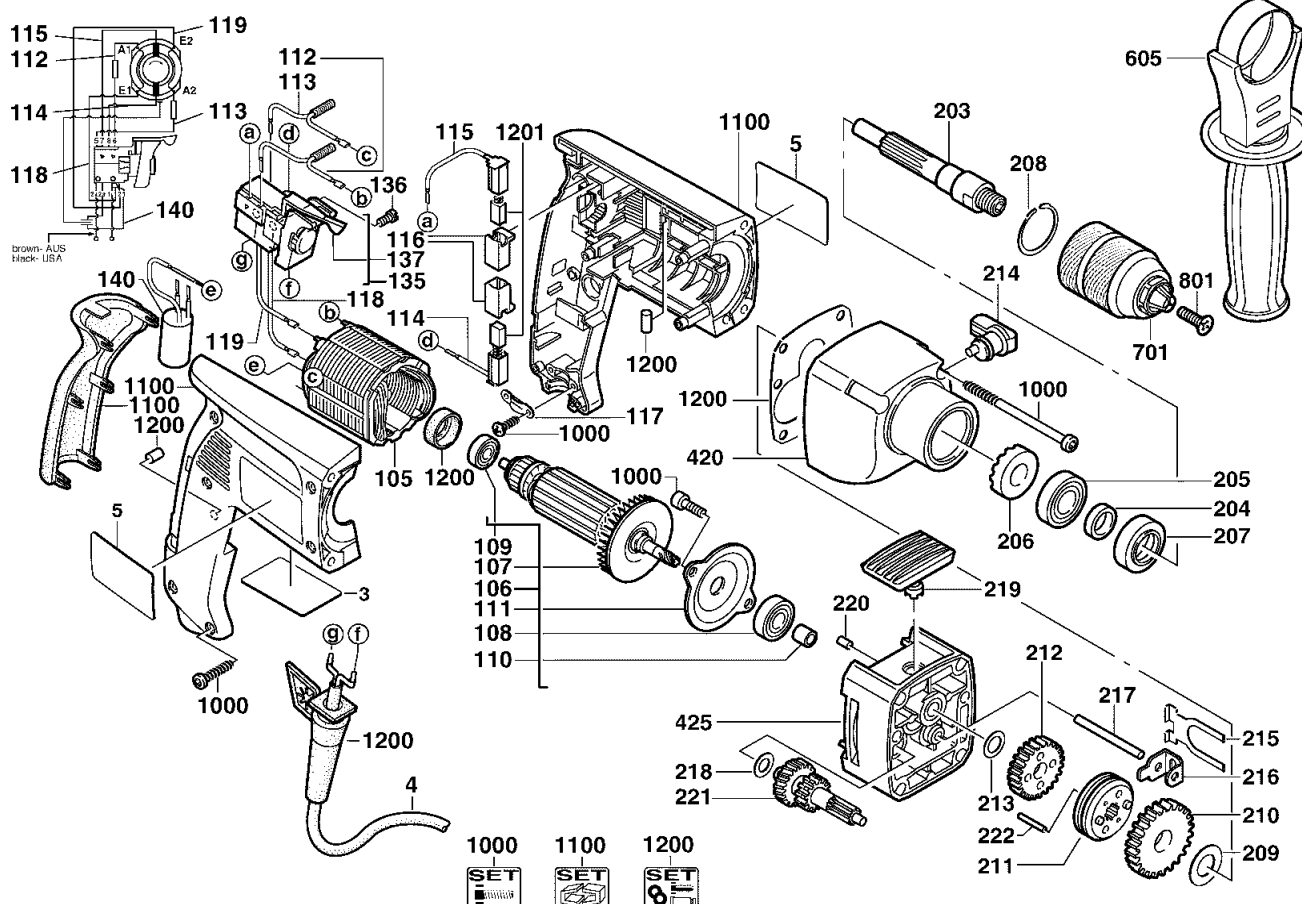
A & M Electric Tools

Ind Product No. Type Voltage Country
a 4000390187 HD2E13R 220-240V IN2

Drills

Milwaukee
HD2E13R

Exp.view No. Version Date Page
4926 3901 90 0001 18.02.03 2/2



Pos	Index	Quanti	Article No.	Designation
0605	a.....	1	4931384539	AUXILIARY HANDLE
0701	a.....	1	4932364267	KEYLESS CHUCK
0801	a.....	1	4931319990	SCREW
1000	a.....	1	4931344833	BOLT SET
1100	a.....	1	4931359606	HOUSING
1200	a.....	1	4931344832	MAINTENANCE SET
1201	a.....	1	4931361733	CARBON BRUSH SET

Pos	Index	Quanti	Article No.	Designation
-----	-------	--------	-------------	-------------