

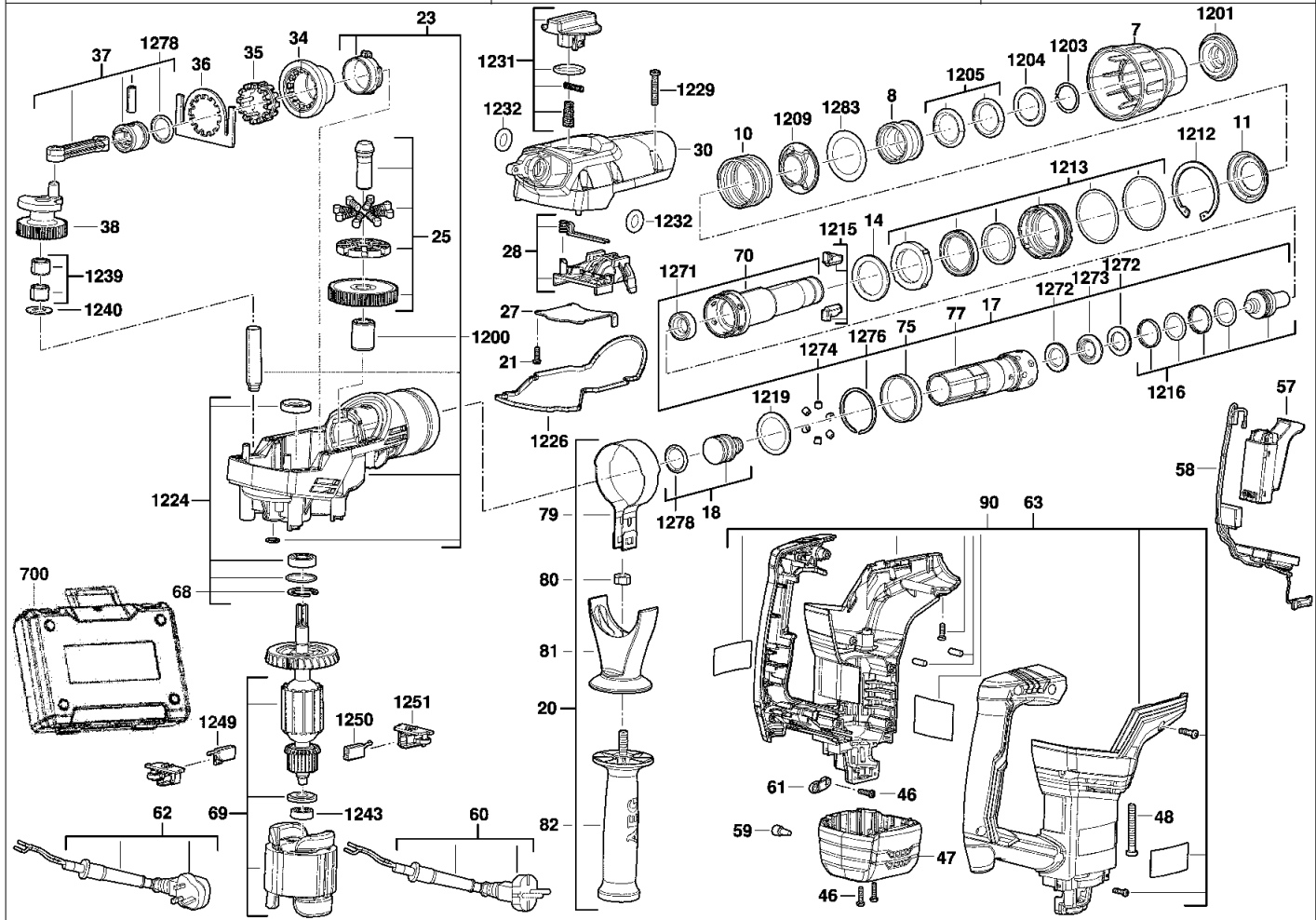
A & M Electric Tools

Rotary Hammers

| | | | |
|-----------------|------|----------|---------|
| Ind Product No. | Type | Voltage | Country |
| a 4000418161 | KH5G | 220-240V | IN2 |

| | | | |
|-----------------|------|---------|---------|
| Ind Product No. | Type | Voltage | Country |
| | | | |

| | | | |
|---------------|---------|----------|------|
| AEG | | | |
| KH 5 G | | | |
| Exp.view No. | Version | Date | Page |
| 4926 4181 64 | 0002 | 27.06.12 | 1/2 |



| Pos | Index | Quanti | Article No. | Designation |
|------|--------|--------|-------------|------------------|
| 0007 | a..... | 1 | 4931435355 | INTERLOCK SLEEVE |
| 0008 | a..... | 1 | 4931435356 | INTERLOCK SLEEVE |
| 0010 | a..... | 1 | 4931435140 | SPRING |
| 0011 | a..... | 1 | 633152001 | PLATE |
| 0014 | a..... | 1 | 4931435143 | O-RING |
| 0017 | a..... | 1 | 4931435146 | SPINDLE SLEEVE |
| 0018 | a..... | 1 | 4931435147 | SNAP DIE |
| 0020 | a..... | 1 | 4931435357 | AUXILIARY HANDLE |
| 0021 | a..... | 1 | 4931435150 | SCREW |
| 0023 | a..... | 1 | 4931435358 | GEARWHEEL SET |
| 0025 | a..... | 1 | 4931435154 | WORM GEAR WHEEL |
| 0027 | a..... | 1 | 4931435156 | PLATE |
| 0028 | a..... | 1 | 4931435157 | FORK |
| 0030 | a..... | 1 | 4931435359 | GEAR BOX ASSY |
| 0034 | a..... | 1 | 4931435163 | BEVEL GEAR PAIR |
| 0035 | a..... | 1 | 4931435164 | SLEEVE |
| 0036 | a..... | 1 | 4931435165 | INTERLOCK PLATE |
| 0037 | a..... | 1 | 4931435166 | PISTON COMPL. |
| 0038 | a..... | 1 | 4931435167 | EXCENTER |
| 0046 | a..... | 1 | 660024018 | SCREW |
| 0047 | a..... | 1 | 4931435361 | MOTOR COVER |
| 0048 | a..... | 1 | 4931435362 | SCREW |

| Pos | Index | Quanti | Article No. | Designation |
|------|--------|--------|-------------|--------------------|
| 0057 | a..... | 1 | 4931435184 | SWITCH |
| 0058 | a..... | 1 | 4931435364 | ELECTRONIC ELEMENT |
| 0059 | a..... | 1 | 790009001 | CONNECTOR |
| 0060 | a..... | 1 | 4931435187 | CONNECTION CABLE |
| 0061 | a..... | 1 | 4931435190 | CORD GRIP |
| 0062 | a..... | 1 | 4931435188 | CONNECTION CABLE |
| 0063 | a..... | 1 | 4931435365 | HOUSING SET ASSY |
| 0068 | a..... | 1 | 4931435192 | PROTECTION WASHER |
| 0069 | a..... | 1 | 4931435366 | ARMATURE |
| 0070 | a..... | 1 | 4931435195 | DRIVER |
| 0075 | a..... | 1 | 4931435200 | RING |
| 0077 | a..... | 1 | 4931435202 | SPINDLE SLEEVE |
| 0079 | a..... | 1 | 4931435204 | CLAMP |
| 0080 | a..... | 1 | 4931435205 | NUT |
| 0081 | a..... | 1 | 4931435367 | RETAINER |
| 0082 | a..... | 1 | 4931435368 | HANDLE COMPL. |
| 0090 | a..... | 1 | 4931435369 | RATING PLATE |
| 0700 | a..... | 1 | 4931435370 | CARRYING CASE |
| 1200 | a..... | 1 | 4931435371 | MAINTENANCE SET |
| 1201 | a..... | 1 | 4931435353 | RUBBER CAP |
| 1203 | a..... | 1 | 4931435134 | HOLDING RING |
| 1204 | a..... | 1 | 4931435135 | BACKING FLANGE |

Repairs/modification and testing of electric power tools are to be carried out by specialists. The safety regulations according to DIN/VDE/CEE/AFNOR and other regulations valid in the different countries are to be observed.

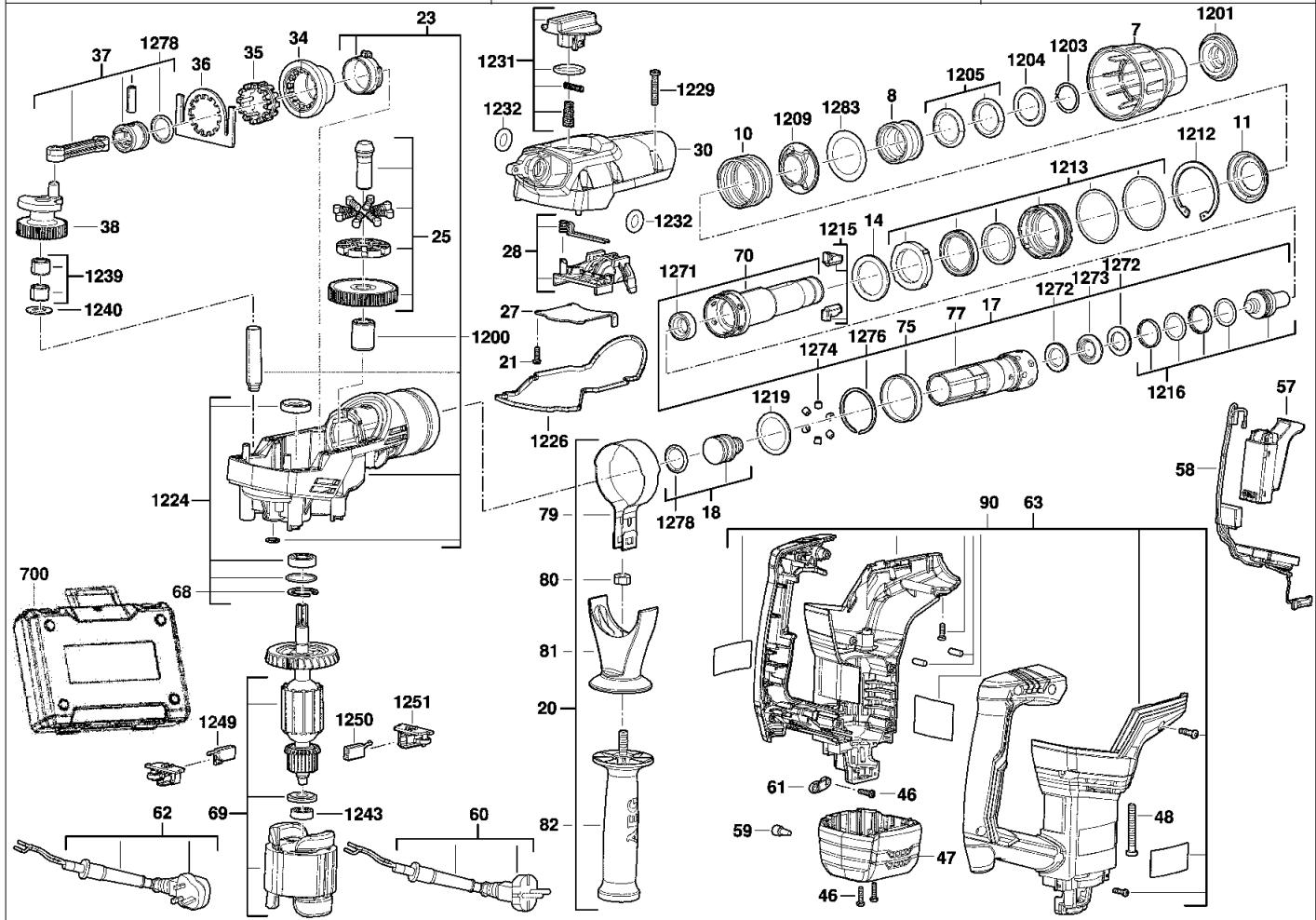
A & M Electric Tools

Rotary Hammers

| | | | |
|-----------------|------|----------|---------|
| Ind Product No. | Type | Voltage | Country |
| a 4000418161 | KH5G | 220-240V | IN2 |

| | | | |
|-----------------|------|---------|---------|
| Ind Product No. | Type | Voltage | Country |
| | | | |

| | | | |
|---------------|---------|----------|------|
| AEG | | | |
| KH 5 G | | | |
| Exp.view No. | Version | Date | Page |
| 4926 4181 64 | 0002 | 27.06.12 | 2/2 |



| Pos | Index | Quanti | Article No. | Designation |
|------|--------|--------|-------------|-------------------|
| 1205 | a..... | 1 | 4931435354 | O-RING |
| 1209 | a..... | 1 | 633234001 | HOLDING PLATE |
| 1212 | a..... | 1 | 4931435141 | PROTECTION WASHER |
| 1213 | a..... | 1 | 4931435142 | BEARING END PLATE |
| 1215 | a..... | 1 | 4931435144 | CAM |
| 1216 | a..... | 1 | 4931435145 | PERCUSSION BODY |
| 1219 | a..... | 1 | 4931435148 | DISC |
| 1224 | a..... | 1 | 4931435153 | SEAL |
| 1226 | a..... | 1 | 4931435155 | SEAL |
| 1229 | a..... | 1 | 4931435158 | SCREW |
| 1231 | a..... | 1 | 4931435160 | KNOB |
| 1232 | a..... | 1 | 4931435360 | DAMPING RING |
| 1239 | a..... | 1 | 4931435168 | NEEDLE BEARING |
| 1240 | a..... | 1 | 4931435169 | WASHER |
| 1243 | a..... | 1 | 4931435170 | BALL BEARING |
| 1249 | a..... | 1 | 4931435177 | BRUSH SET |
| 1250 | a..... | 1 | 4931435179 | BRUSH SET |
| 1251 | a..... | 1 | 4931435363 | BRUSH HOLDER |
| 1271 | a..... | 1 | 4931435196 | STOP WASHER |
| 1272 | a..... | 1 | 4931435197 | RING |
| 1273 | a..... | 1 | 4931435198 | RING |
| 1274 | a..... | 1 | 4931435199 | PIN |

| Pos | Index | Quanti | Article No. | Designation |
|------|--------|--------|-------------|-------------|
| 1276 | a..... | 1 | 4931435201 | DISC |
| 1278 | a..... | 1 | 4931435203 | O-RING |
| 1283 | a..... | 1 | 4931431199 | WASHER |

Repairs/modification and testing of electric power tools are to be carried out by specialists. The safety regulations according to DIN/VDE/CEE/AFNOR and other regulations valid in the different countries are to be observed.