

RYOBI®

RLT8038

ORIGINAL INSTRUCTIONS
TRADUCTION DES INSTRUCTIONS ORIGINALES
ÜBERSETZUNG DER ORIGINALANLEITUNG
TRADUCCIÓN DE LAS INSTRUCCIONES ORIGINALES
TRADUZIONE DELLE ISTRUZIONI ORIGINALI
VERTALING VAN DE ORIGINELE INSTRUCTIES
TRADUÇÃO DAS INSTRUÇÕES ORIGINAIS
OVERSÆTTELSE AF DE ORIGINALE INSTRUKTIONER
ÖVERSÄTTNING AV DE URSPRUNGLIGA INSTRUKTIONERNA
ALKUPERÄISTEN OHJEIDEN SUOMENNO
OVERSETTELSE AV DE ORIGINALE INSTRUKSJONENE
ПЕРЕВОД ОРИГИНАЛЬНЫХ ИНСТРУКЦИЙ
TŁUMACZENIE INSTRUKCJI ORYGINALNEJ
PŘEKLAD ORIGINÁLNÍCH POKYNŮ
AZ EREDETI ÚTMUTATÓ FORDÍTÁSA
TRADUCEREA INSTRUCȚIUNILOR ORIGINALE
TULKOTS NO ORIĢINĀLĀS INSTRUKCIJAS
ORIGINALIŲ INSTRUKCIJŲ VERTIMAS
ORIGINALALJUHENDI TÕLGE
PRIJEVOD ORIGINALNIH UPUTA
PREVOD ORIGINALNIH NAVODIL
PREKLAD ORIGINÁLNYCH POKYNOV
ПРЕВОД ОТ ОРИГИНАЛНИТЕ ИНСТРУКЦИИ
ПЕРЕКЛАД ОРИГИНАЛЬНИХ ИНСТРУКЦІЙ
ORIJINAL TALĪMATLAR



EN
FR
DE
ES
IT
NL
PT
DA
SV
FI
NO
RU
PL
CS
HU
RO
LV
LT
ET
HR
SL
SK
BG
UK
TR





- Important!** It is essential that you read the instructions in this manual before assembling, maintaining and operating the product.
- Attention!** Il est essentiel que vous lisiez les instructions contenues dans ce manuel avant d'assembler, d'entretenir et d'utiliser le produit.
- Achtung!** Es ist wichtig, dass Sie vor Zusammenbau, Wartung und Benutzung des Produktes die Anweisungen in dieser Anleitung lesen.
- ¡Atención!** Resulta fundamental que lea este manual de instrucciones antes de realizar el montaje, el mantenimiento y de utilizar este producto
- Attenzione!** È importante leggere le istruzioni contenute nel presente manuale prima di montare il prodotto, svolgere le operazioni di manutenzione sullo stesso e metterlo in funzione.
- Let op!** Het is van essentieel belang dat u de instructies in deze gebruiksaanwijzing leest voor u het product monteert, onderhoudt en gebruikt.
- Atenção!** É fundamental que leia as instruções deste manual antes da montagem, manutenção e operação do aparelho.
- OBS!** Det er vigtigt, at man læser instrukserne i denne brugsanvisning, inden man samler, vedligeholder og betjener produktet.
- Observera!** Det är viktigt att du läser instruktionerna i manualen före montering, användning och underhåll av produkten.
- Huomio!** On tärkeää, että luet tämän käsikirjan ohjeet ennen tuotteen kokoamista, huoltoa ja käyttöä.
- Advarsel!** Det er viktig at du leser instruksjonene i denne manualen før sammensetning, vedlikehold og bruk av produktet
- Внимание!** Необходимо прочитать инструкции в данном руководстве перед сборкой, обслуживанием и эксплуатацией этого изделия.
- Uwaga!** Koniecznie należy przeczytać instrukcje zawarte w tym podręczniku przed montażem, obsługą oraz konserwacją produktu.
- Důležité upozornění!** Neinstalujte, neprovádějte údržbu ani nepoužívejte tento výrobek dříve, než si přečtete pokyny uvedené v tomto návodu.
- Figyelem!** Fontos, hogy a termék összeszerelése, karbantartása és használatá elött elolvassa a kézikönyvben található utasításokat.
- Atenție!** Este esențial să citiți instrucțiunile din acest manual înainte de asamblare, efectuarea întreinerii și operarea produsului.
- Uzmanību!** Ir svarīgi izlasīt šīs rokasgrāmatas instrukcijas pirms uzstādīšanas, apkopes un precas darbināšanas.
- Dėmesio!** Prieš surenkant, prižiūrint ir naudojant gaminį, būtina perskaityti šiose vadove pateiktus nurodymus.
- Tähtis!** Enne masina kokkupanekut, hooldamist ja kasutama hakkamist tuleb käesolevas juhendis esitatud juhised kindlasti läbi lugeda.
- Upozorenje!** Vrlo je važno da ste prije sklapanja, održavanja i rada s ovim proizvodom pročitali upute u ovom priručniku.
- Pomembno!** Pomembno je da pred montažo vzdrževanjem in uporabo tega izdelka preberete navodila v tem priročniku.
- Upozornenie!** Je dôležité, aby ste si pred montážou, údržbou a obsluhou produktu prečítali pokyny v tomto návode.
- Важно!** Исключительно важно е да прочетете инструкциите в настоящото ръководство, преди да преминете към сглобяване, поддръжка или работа с продукта.
- Важливо!** Дуже важливо, щоб ви прочитали інструкції в цьому керівництві перед складанням, обслуговуванням та експлуатацією цієї машини.
- Önemli!** Ürünü monte etmeden, kullanmadan ve bakımını yapmadan önce bu kılavuzdaki talimatları okumanız önemlidir.

Subject to technical modification | Sous réserve de modifications techniques | Technische Änderungen vorbehalten | Bajo reserva de modificaciones técnicas | Con riserva di eventuali modifiche tecniche | Technische wijzigingen voorbehouden | Com reserva de modificações técnicas | Med forbehold for tekniske ændringer | Med förbehåll för tekniska ändringar | Tekniset muutokset varataan | Med forbehold om tekniske endringer | могут быть внесены технические изменения | Z zastrzeżeniem modyfikacji technicznych | Změny technických údajů vyhrazeny | A műszaki módosítás jogát fenntartjuk | Sub rezerva modificațiilor tehnice | Paturam tiesības mainīt tehniskos raksturlielumus | Pasiliekan teisę daryti techninius pakeitimus | Tehnilised muudatused võimalikud | Podloženo tehničkim promjenama | Tehnične spremembe dopuščene | Právo na technické zmeny je vyhradené | Подлежи на технически модификации | Є об'єктом для технічних змін | Teknik değişikliğe tabidir.



Safety, performance, and dependability have been given top priority in the design of your electric line trimmer.

INTENDED USE

The product is only intended for use outdoors by a standing operator.

The product is designed for cutting grass, light weeds, and other similar vegetation at or about ground level. The cutting plane should be approximately parallel to the ground surface.

The product should not be used to cut or trim hedges, bushes, or other vegetation where the cutting plane is not at or about ground surface level.

GENERAL SAFETY WARNINGS

⚠ WARNING

When using the product, the safety rules must be followed. For your own safety and that of bystanders, please read these instructions before operating the product. Please keep the instruction safe for later use.

⚠ WARNING

The product is not intended to be used by children or persons with reduced physical, mental or sensory capabilities. Children should be adequately supervised to ensure they do not play with the product.

⚠ WARNING

Some regions have regulations that restrict the use of the product. Check with your local authority for advice.

TRAINING

- Never allow children or people unfamiliar with these instructions to use the product. Local regulations may restrict the age of the operator.
- Read the instructions carefully. Be familiar with all controls and the proper use of the product.
- Keep bystanders, children and pets 15 m away from the area of operation. Stop the

product if anyone enters the area.

- Never use the product when you are tired, ill or under the influence of alcohol, drugs or medicine.
- Keep in mind that the operator or user is responsible for accidents or hazards occurring to other people or their property.

ELECTRICAL SAFETY

- Power plugs must match the outlet. Never modify the plug in any way. Do not use any adapter plugs with earthed (grounded) power tools. Unmodified plugs and matching outlets will reduce risk of electric shock.
- Avoid unintentional starting. Always check that the switch is in Off position before plugging in the product to the power supply. Do not carry a plugged in product with your finger on the switch.
- Avoid body contact with earthed or grounded surfaces, such as pipes, radiators, ranges and refrigerators. There is an increased risk of electric shock if your body is earthed or grounded.
- Do not operate the product when there is a risk of lightning.
- Do not expose the product to rain or wet conditions. Water entering an appliance will increase the risk of electric shock.
- Electrical power should be supplied via a residual current device (RCD) with a tripping current of not more than 30 mA.
- Before every use, examine the power cord for damage. If there are signs of damage, it must be replaced. Always uncoil the power cord during use; coiled cables can overheat.
- If you need to use an extension cable, ensure it is suitable for outdoor use and has a current capacity sufficient to supply your product. The extension cord cable should be marked with either "H05 RN-F" or H05 VV-F". Check it before every use for damage. Always uncoil it during use because coiled cables can overheat. Damaged extension cables should not be repaired; they should be replaced with an equivalent type.
- Do not use the product if the electric cables are damaged or worn.
- If the power cord or extension cable becomes damaged during use, disconnect

from the power supply immediately. Do not touch the electric cables until the power supply has been disconnected.

- Make sure the power cord is positioned so that it cannot be damaged by the cutting means and will not be stepped on, tripped over or otherwise subjected to damage or stress.
- Never pick up or carry the product by the electric cable.
- Never pull by the power cord to disconnect from the power supply.
- Keep the power cord away from heat, oil and sharp edges.
- Make sure voltage is correct for your product. A nameplate on the product indicates the product's voltage. Never connect the product to an AC voltage that differs from this voltage.
- Make sure the switch is in Off position before disconnecting from power supply.

PREPARATION

- Wear full eye and hearing protection while operating the product. If working in an area where there is a risk of falling objects, head protection must be worn.
- Hearing protection may restrict the operators ability to hear warning sounds. Pay particular attention to potential hazards around and inside the working area.
- Wear heavy long trousers, boots, and gloves. Do not wear loose fitting clothing, short trousers, jewellery of any kind, or use with bare feet.
- Secure long hair so it is above shoulder level to prevent entanglement in moving parts.
- Before use and after any impact, check that there are no damaged parts. A defective switch or any part that is damaged or worn should be properly repaired or replaced by an authorized service facility.
- Make sure the cutting attachment is properly installed and securely fastened.
- Never operate the product unless all guards, deflectors and handles are properly and securely attached.
- Consider the environment in which you are working. Keep the working area free from wires, sticks, stones and debris, which if struck by the cutter, can become thrown objects.

LINE TRIMMER SAFETY WARNINGS

- Never allow children or people unfamiliar with the instructions to use the product.
- Use the product in daylight or good artificial light.
- Avoid using on wet grass.
- Do not walk backwards when using the product.
- Keep firm footing and balance. Do not overreach. Overreaching can result in loss of balance. Always be sure of your footing on slopes. Walk, never run.
- Keep bystanders, children and pets 15 m away from the area of operation, stop the product if anyone enters the area.
- Keep the cutting attachment below waist level.
- Never operate the product with damaged guards or without guards in place.
- Never fit a metal replacement line.
- Keep hands and feet away from the cutting means at all times, especially when switching on the motor.
- Beware, the cutting elements continue to rotate after the motor is switched off.
- Beware of objects thrown by the cutting means. Clear debris like small stones, gravel and other foreign objects from the work area before starting operation. Wires or string may become entangled with the cutting means.
- Switch off and disconnect from the power supply before:
 - servicing
 - leaving the product unattended
 - cleaning your product or clearing a blockage
 - changing accessories
 - checking for any damage after hitting an object
 - checking for any damage if the product starts to vibrate abnormally
 - performing maintenance
- The small blade fitted to the lawn guard is designed to trim the new extended line to the correct length for safe and optimum performance. It is very sharp; do not touch it, particularly when cleaning the product.
- Always ensure that ventilation openings are kept clear of debris.
- Make sure the cutting head attachment is



EN
FR
DE
ES
IT
NL
PT
DA
SV
FI
NO
RU
PL
CS
HU
RO
LV
LT
ET
HR
SL
SK
BG
UK
TR

properly installed and securely fastened.

- Make sure all guards, deflectors and handles are properly and securely attached.
- Do not modify the product in any way. This may increase the risk of injury to yourself or others.
- Use only the manufacturer's replacement cutting line. Do not use any other cutting attachment.
- Immediately switch off and disconnect from the mains in the event of accident or breakdown. Don't operate the product again until it has been fully checked by an authorised service center.

TRANSPORTATION AND STORAGE

- Stop the product and allow it to cool before storing or transporting.
- Clean all foreign materials from the product. Store it in a cool, dry and well-ventilated place that is inaccessible to children. Keep away from corrosive agents, such as garden chemicals and de-icing salts. Do not store outdoors.
- For storage, always disconnect from power supply and wind the cable.
- For transportation, secure the product against movement or falling to prevent injury to persons or damage to the product.

MAINTENANCE

⚠ WARNING

Use only original manufacturer's replacement parts, accessories, and attachments. Failure to do so can cause possible injury, poor performance, and may void your warranty.

⚠ WARNING

Servicing requires extreme care and knowledge and should be performed only by a qualified service technician. For service, we suggest you bring the product to your nearest authorised service centre for repair. When servicing, use only identical replacement parts.

- Switch off and disconnect from the mains before conducting any maintenance or cleaning work.

- You may make adjustments and repairs described here. For other repairs, contact the authorised service agent.
- For the replacement line, use only nylon filament line of the diameter described in the specification table of this manual.
- After extending the new cutter line, always return the product to its normal operating position before starting.
- After each use, clean the product with a soft dry cloth. Any part that is damaged should be properly repaired or replaced by an authorised service centre.
- Check all nuts, bolts, and screws at frequent intervals for proper tightness to ensure the product is in a safe working condition.

RESIDUAL RISKS

Even when the product is used as prescribed, it is still impossible to completely eliminate certain residual risk factors. The following hazards may arise in use and the operator should pay special attention to avoid the following:

- Injury caused by vibration.
Hold the product by designated handles and restrict working time and exposure.
- Injury caused by exposure to noise
Wear hearing protection and limit exposure.
- Injury caused by flying debris
Wear eye protection at all times.risk reduction

RISK REDUCTION

It has been reported that vibrations from handheld products may contribute to a condition called Raynaud's Syndrome in certain individuals. Symptoms may include tingling, numbness, and blanching of the fingers, usually apparent upon exposure to cold. Hereditary factors, exposure to cold and dampness, diet, smoking, and work practices are all thought to contribute to the development of these symptoms. There are measures that can be taken by the operator to possibly reduce the effects of vibration:

- Keep your body warm in cold weather. When operating the product, wear gloves to keep the hands and wrists warm. It is reported that cold weather is a major factor contributing to Raynaud's Syndrome.



- After each period of operation, exercise to increase blood circulation.
- Take frequent work breaks. Limit the amount of exposure per day.

If you experience any of the symptoms of this condition, immediately discontinue use and see your doctor about these symptoms.

⚠ WARNING

Injuries may be caused or aggravated by prolonged use of a tool. When using any tool for prolonged periods, ensure you take regular breaks.

KNOW YOUR PRODUCT

See page 131.

1. Rear handle
2. Lock out trigger
3. Trigger
4. Front handle
5. Harness
6. Upper shaft
7. Lower shaft
8. Safety guard
9. Cut-off blade
10. Cutting line
11. Bump head
12. Power cord
13. Cord retainer
14. Spool cover
15. Spool
16. Eyelet

SYMBOLS ON THE PRODUCT



Read and understand all instructions before operating the product, follow all warnings and safety instructions.



Wear eye protection.



Wear hearing protection.



Do not use metal blade(s) on the product.



Do not expose to rain or damp conditions.



Immediately remove plug from the mains before maintenance or if cable is damaged, cut or entangled.



Beware of thrown or flying objects. Keep all bystanders, especially children and pets, at least 15 m away from the operating area



Keep hands away from cut-off blade



Class II tool, double insulation



Waste electrical products should not be disposed of with household waste. Please recycle where facilities exist. Check with your Local Authority or retailer for recycling advice.



Ukrainian mark of conformity



Conforms to all regulatory standards in the country in the EU where the product is purchased.



EurAsian Conformity Mark



Guaranteed sound power level is 96 dB.



Beware of thrown or flying objects. Keep all bystanders a safe distance away from the product.

SYMBOLS IN THIS MANUAL



Connect to power outlet.



Disconnect from power outlet.



Parts or accessories sold separately



Note



Warning

The following signal words and meanings are intended to explain the levels of risk associated with this product.

⚠ DANGER

Indicates an imminently hazardous situation, which, if not avoided, will result in death or serious injury.

⚠ WARNING

Indicates a potentially hazardous situation, which, if not avoided, could result in death or serious injury.

⚠ CAUTION

Indicates a potentially hazardous situation, which, if not avoided, may result in minor or moderate injury.

CAUTION

Without safety alert symbol

Indicates a situation that may result in property damage.

La plus grande priorité a été donnée à la sécurité, aux performances et à la fiabilité de votre coupe-bordures électrique

UTILISATION PRÉVUE

Ce produit est prévu pour n'être utilisé qu'à l'extérieur par un opérateur se tenant debout et marchant avec le produit.

Ce produit est prévu pour la coupe de l'herbe, des mauvaises herbes peu denses et autres végétaux similaires au niveau du sol ou près du sol. Le plan de coupe doit être à peu près parallèle à la surface du sol.

Le produit ne doit pas être utilisé pour la coupe ou la taille des haies, buissons ou autres végétaux pour lesquels le plan de coupe n'est pas proche du sol.

AVERTISSEMENTS GÉNÉRAUX DE SÉCURITÉ

⚠ AVERTISSEMENT

Suivez les règles de sécurité lorsque vous utilisez le produit. Pour votre sécurité et celle des passants, veuillez lire ces instructions avant d'utiliser le produit. Veuillez conserver les instructions en lieu sûr pour vous-y reporter dans le futur.

⚠ AVERTISSEMENT

Ce produit ne doit pas être utilisé par des enfants ou par des personnes aux capacités physiques, sensorielles ou mentales diminuées. Les enfants doivent être bien surveillés afin de s'assurer qu'ils ne jouent pas avec le produit.

⚠ AVERTISSEMENT

La législation de certaines régions restreint l'utilisation du produit. Contactez les autorités locales pour obtenir des conseils.

ENTRAÎNEMENT

- Ne laissez jamais les enfants ou les personnes non familiarisées avec ces instructions utiliser le produit. Les lois locales peuvent imposer un âge minimum à l'opérateur.
- Lisez attentivement les instructions.

Familiarisez-vous avec les commandes du produit ainsi qu'avec son utilisation correcte.

- Gardez les passants, les enfants et les animaux éloignés d'au moins 15m de l'aire de travail. Arrêtez le produit lorsque quiconque pénètre dans l'environnement de travail.
- N'utilisez jamais le produit lorsque vous êtes fatigué, malade, ou sous l'influence de l'alcool, de drogues ou de médicaments.
- Gardez à l'esprit que l'opérateur est responsable des accidents qui arrivent aux autres personnes présentes dans sa propriété.

SÉCURITÉ ÉLECTRIQUE

- Les fiches secteur doivent correspondre à la prise de courant. Ne jamais modifier la fiche de quelque façon que ce soit. Ne pas utiliser d'adaptateurs avec des outils à branchement de terre. Des fiches non modifiées et des socles adaptés réduiront le risque de choc électrique.
- Evitez tout démarrage involontaire. Assurez-vous que l'interrupteur est toujours en position Off (arrêt) avant de brancher le produit sur l'alimentation. Ne déplacez pas un outil en ayant le doigt sur la gâchette lorsque celui-ci est branché.
- Éviter tout contact du corps avec des surfaces reliées à la terre telles que les tuyaux, les radiateurs, les cuisinières et les réfrigérateurs. Il existe un risque accru de choc électrique si votre corps est relié à la terre.
- N'utilisez pas le produit en cas de risque d'éclair.
- N'exposez pas ce produit à la pluie ou à des conditions humides. La pénétration d'eau dans un appareil augmente le risque de décharge électrique.
- L'appareil doit être alimenté par l'intermédiaire d'un disjoncteur différentiel d'une sensibilité minimale de 30mA.
- Avant chaque utilisation, vérifiez que le câble d'alimentation n'est pas endommagé. Ce sont des signes de dommage, il doit être remplacé. Déroulez toujours le câble d'alimentation en cours d'utilisation, les câbles enroulés sont susceptibles de surchauffer.
- Si vous devez utiliser une rallonge



électrique, assurez-vous qu'elle est prévue pour une utilisation à l'extérieur et que sa capacité en courant est suffisante pour alimenter votre produit. Le câble de la rallonge électrique doit porter la mention "H05 RN-F" ou "H05VV-F". Vérifiez l'absence de dommages avant chaque utilisation. Le câble d'alimentation doit toujours être déroulé pendant utilisation, les câbles enroulés étant susceptibles de surchauffer. Les rallonges endommagées ne doivent pas être réparées, elles doivent être remplacées par un modèle équivalent.

- N'utilisez pas le produit si le câble électrique est endommagé ou usé. Avant chaque utilisation, vérifiez que le câble d'alimentation n'est pas endommagé. Toujours dérouler le cordon d'alimentation pendant l'utilisation, câbles coiled peuvent surchauffer.
- Au cas où le câble d'alimentation ou la rallonge seraient endommagés en cours d'utilisation, débranchez immédiatement l'alimentation électrique. Ne touchez pas les câbles électriques avant d'avoir coupé l'alimentation en courant.
- Assurez-vous que le câble chemine de façon qu'il ne puisse pas être coupé et que l'on ne puisse pas marcher dessus ou se prendre les pieds dedans, et qu'il ne peut pas être forcé ou endommagé.
- Ne soulevez et ne transportez jamais le produit en le tenant par son câble d'alimentation.
- Ne débranchez jamais le câble d'alimentation en tirant dessus.
- Tenez le câble d'alimentation éloigné de la chaleur, des graisses et des bords coupants.
- Assurez-vous que la tension secteur est adaptée à votre produit. La tension de service est indiquée sur une plaque signalétique présente sur le produit. Ne branchez jamais le produit sur une source de courant dont la tension est différente de sa tension nominale.
- Assurez-vous que l'interrupteur est en position Off (arrêt) avant de débrancher l'alimentation.

PRÉPARATION

- Portez une protection auditive et oculaire totale lorsque vous utilisez ce produit. Si vous travaillez dans une zone qui

comporte des risques de chute d'objets, il est nécessaire que vous portiez un casque de chantier.

- Une protection auditive est susceptible de réduire la capacité de l'opérateur à entendre les bruits d'alerte, soyez donc particulièrement attentif aux risques potentiels à l'intérieur et aux alentours de la zone de travail.
- Portez des pantalons longs et épais, des bottes et des gants. Ne portez pas de vêtements amples, de shorts ou de bijoux quels qu'ils soient, et ne travaillez pas pieds nus.
- Attachez les cheveux longs au-dessus du niveau des épaules afin d'éviter qu'ils ne se prennent dans les parties en mouvement.
- Avant utilisation et après tout impact, vérifiez qu'aucun élément n'est endommagé. Un interrupteur défectueux ou toute autre pièce endommagée doit être correctement remplacée ou réparée par un service après-vente agréé.
- Assurez-vous que l'accessoire de coupe est bien en place et bien serré.
- N'utilisez jamais le produit sans que toutes les protections, tous les déflecteurs et toutes les poignées soient bien en place et bien verrouillés.
- Tenez compte de votre environnement de travail. Gardez la zone de travail exempte de fils, bâtons, pierres et débris qui pourraient se voir transformer en projectiles s'ils venaient à être happés par l'élément de coupe.

AVERTISSEMENTS DE SÉCURITÉ RELATIFS À LA TONDEUSE À FIL

- Ne laissez jamais les enfants ou les personnes non familiarisées avec le mode d'emploi utiliser le produit.
- Veillez à ce que votre zone de travail soit bien éclairée (lumière du jour ou lumière artificielle).
- Évitez d'utiliser la machine sur de l'herbe mouillée.
- Ne reculez pas lors de l'utilisation du produit.
- Gardez un bon appui et un bon équilibre. Ne pas se précipiter. Ne travaillez pas en extension, vous pourriez perdre l'équilibre. Ayez toujours un bon équilibre sur vos pieds dans les pentes et marchez, ne

EN

FR

DE

ES

IT

NL

PT

DA

SV

FI

NO

RU

PL

CS

HU

RO

LV

LT

ET

HR

SL

SK

BG

UK

TR



courez jamais.

- Gardez les passants, les enfants et les animaux éloignés d'au moins 15 m de l'aire de travail. Arrêtez le produit lorsque quiconque pénètre dans l'environnement de travail.
- Maintenez l'accessoire de coupe en dessous du niveau de votre taille.
- N'utilisez jamais le produit si ses protections sont absentes ou endommagées.
- N'utilisez jamais de fil de coupe en métal avec votre coupe-bordures.
- Maintenez toujours vos mains et vos pieds éloignés de la tête de fil, en particulier lors de la mise en marche du coupe-bordures.
- Prenez garde, les éléments de coupe continuent de tourner une fois le moteur coupé.
- Prenez garde aux objets projetés par l'élément de coupe. Dégagez la zone de travail des débris tels que petites pierres, gravier et autres objets étrangers avant de commencer le travail. Des câbles ou de la ficelle pourraient s'emmêler dans les éléments de coupe.
- Arrêtez et débranchez l'appareil du secteur avant de:
 - réparations
 - laisser le produit sans surveillance
 - nettoyage de votre produit ou dégagement de la cause d'un blocage.
 - changer un accessoire
 - vérifier tout dommage éventuel après avoir heurté un objet
 - vérifier tout dommage éventuel au cas où le produit se mettrait à vibrer de façon anormale
 - opérations d'entretien
- La petite lame incorporée au carter de protection a pour but de tailler le fil de coupe nouvellement libéré à la bonne longueur pour de meilleures performances et une bonne sécurité d'utilisation. Elle est très coupante, veillez à ne pas la toucher, en particulier lorsque vous nettoyez l'outil.
- Assurez-vous que les ouïes de ventilation sont en permanence exemptes de débris.
- Assurez-vous que l'accessoire de coupe est bien en place et bien serré.
- Assurez-vous que toutes les protections, tous les déflecteurs et toutes les poignées sont bien en place et bien verrouillés.

- Ne modifiez le produit en aucune façon, vous augmenteriez les risques de blessures occasionnées aux autres et à vous-même.
- N'utilisez que du fil de coupe fourni par le fabricant. N'utilisez aucun autre accessoire de coupe.
- Éteindre immédiatement et débrancher du secteur une fois dans le cas d'accident ou de panne. Ne pas utiliser le produit à nouveau jusqu'à ce qu'il soit entièrement contrôlé par le centre de service autorisé.

TRANSPORT ET STOCKAGE

- Arrêtez la machine et laissez-la refroidir avant de la ranger ou de la transporter.
- Débarrassez l'appareil de tous les corps étrangers. Rangez la en un endroit frais, sec et correctement ventilé, hors de portée des enfants. Ne la rangez pas à proximité d'agents corrosifs tels que produits chimiques de jardinage ou sels de dégel. Ne rangez pas à l'extérieur.
- Avant stockage, toujours débrancher l'alimentation et enrrouler la rallonge.
- Pour le transport, attachez le produit pour l'empêcher de bouger ou de tomber, afin d'éviter toute blessure et tout dommage matériel.

ENTRETIEN

⚠ AVERTISSEMENT

N'utilisez que des pièces détachées et accessoires d'origine constructeur. Failure to do so can cause possible injury, poor performance, and may void your warranty.

⚠ AVERTISSEMENT

Les réparations demandent un soin et des connaissances extrêmes et ne doivent être effectuées que par un réparateur qualifié. Pour toute réparation, nous vous conseillons de retourner votre appareil à votre service après vente agréé le plus proche. N'utilisez que des pièces détachées identiques pour effectuer les réparations.

- Arrêtez le produit et débranchez-le du secteur avant toute opération d'entretien ou de nettoyage.
- Vous pouvez effectuer les réglages et

réparations décrits ici. Pour les autres réparations, contactez un service après-vente agréé.

- Pour remplacer le fil de coupe, n'utilisez que du fil nylon du diamètre indiqué dans la table des caractéristiques de ce manuel.
- Après avoir déroulé une nouvelle longueur de fil de coupe, remettez toujours le produit en position normale de travail avant de le mettre en marche.
- Après chaque utilisation, utilisez un chiffon propre et sec pour nettoyer le produit. Toute pièce endommagée doit être correctement remplacée ou réparée par un service après-vente agréé.
- Vérifiez régulièrement le bon serrage des écrous, vis et boulons pour que la tondeuse soit toujours en bon état de fonctionnement.

RISQUES RÉSIDUELS

Même lorsque le produit est utilisé selon les prescriptions, il reste impossible d'éliminer totalement certains facteurs de risque résiduels. Les dangers suivants risquent de se présenter en cours d'utilisation et l'utilisateur doit prêter particulièrement garde à ce qui suit:

- Blessures dues aux vibrations. Maintenez le produit par les poignées destinées à cet effet et limitez le temps de travail et d'exposition.
- L'exposition au bruit peut provoquer des pertes d'audition. Portez une protection auditive et limitez le temps d'exposition.
- Blessures oculaires dues aux débris volants. Portez en permanence une protection oculaire.

RÉDUCTION DES RISQUES

Il a été reporté que les vibrations engendrées par les outils à main peuvent contribuer à l'apparition d'un état appelé le Syndrome de Raynaud chez certaines personnes. Les symptômes peuvent comprendre des fourmillements, un engourdissement et un blanchiment des doigts, généralement par temps froid. Des facteurs héréditaires, l'exposition au froid et à l'humidité, le régime alimentaire, le tabagisme et les habitudes de travail peuvent contribuer au développement de ces symptômes. Certaines mesures peuvent être prises par l'utilisateur pour aider

à réduire les effets des vibrations:

- Gardez votre corps au chaud par temps froid. Lorsque vous utilisez le produit, portez des gants afin de garder vos mains et vos poignets au chaud. Le temps froid est considéré comme un facteur contribuant très largement à l'apparition du Syndrome de Raynaud.
- Après chaque session de travail, pratiquez des exercices qui favorisent la circulation sanguine.
- Faites des pauses fréquentes. Limitez la quantité d'exposition journalière.

Si vous ressentez l'un des symptômes associés à ce syndrome, arrêtez immédiatement le travail et consultez votre médecin pour lui en faire part.

⚠ AVERTISSEMENT

L'utilisation prolongée d'un outil est susceptible de provoquer ou d'aggraver des blessures. Assurez-vous de faire des pauses de façon régulière lorsque vous utilisez tout outil de façon prolongée.

APPRENEZ À CONNAÎTRE VOTRE PRODUIT

Voir page 131.

1. Poignée arrière
2. Lock out trigger
3. Gâchette
4. Poignée avant
5. Harnais
6. Arbre supérieur
7. Arbre inférieur
8. Carter de protection
9. Lame de taille
10. Fil de coupe
11. Tête à taper
12. Câble d'alimentation
13. Accroche-câble
14. Couvercle de bobine
15. Bobine
16. Œillet

SYMBOLES APPLIQUÉS SUR LE PRODUIT



Lisez et comprenez toutes les instructions avant d'utiliser le produit, respectez tous les avertissements et toutes les instructions de sécurité.

EN
FR
DE
ES
IT
NL
PT
DA
SV
FI
NO
PL
RU
CS
HU
RO
LV
LT
ET
HR
SL
SK
BG
UK
TR



Portez une protection oculaire.



Portez une protection auditive.



N'utilisez pas de lame(s) métallique(s) sur le produit.



Ne pas exposer à la pluie ou à des conditions humides.



Débranchez immédiatement la fiche secteur avant l'entretien ou si le câble est endommagé, coupé ou emmêlé.



Prenez garde à la projection d'objets au sol et dans les airs. Gardez tous les passants, en particulier les enfants et les animaux, éloignés d'au moins 15m de distance de la zone de travail.



Gardez vos mains éloignées de la lame de taille du fil de coupe.



Outil de Classe II, isolation double



Les produits électriques hors d'usage ne doivent pas être jetés avec les ordures ménagères. Recyclez-les par l'intermédiaire des structures disponibles. Contactez les autorités locales pour vous renseigner sur les conditions de recyclage.



Marque de conformité ukrainienne



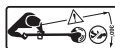
Cet outil est conforme à l'ensemble des normes réglementaires du pays de l'UE où il a été acheté.



Marque de qualité EurAsian



Le niveau de puissance sonore garanti est 96 dB.



Prenez garde à la projection d'objets au sol et dans les airs. Éloignez tous les passants de la zone de travail, en particulier les enfants et les animaux.

SYMBOLES DE CE MANUEL



Connect to power outlet.



Débranchez du secteur



Pièces détachées et accessoires vendus séparément



Note



Avertissement

Les symboles suivants, et les noms qui leur sont associés, permettent d'expliquer les différents niveaux de risques liés à l'utilisation de cet outil.

⚠ DANGER

Situation potentiellement dangereuse qui, si l'on n'y prend garde, peut entraîner la mort ou des blessures graves.

⚠ AVERTISSEMENT

Situation potentiellement dangereuse qui, si l'on n'y prend garde, peut entraîner la mort ou des blessures graves.

⚠ ATTENTION

Situation potentiellement dangereuse qui, si l'on n'y prend garde, peut entraîner des blessures moyennes ou légères.

ATTENTION

Sans symbole d'alerte de sécurité Indique une situation pouvant entraîner des dommages matériels.

Sicherheit, Leistung und Zuverlässigkeit hatten oberste Priorität bei dem Design Ihres elektrischen Grastrimmers.

BESTIMMUNGSGEMÄSSE VERWENDUNG

Das Produkt ist nur ausschließlich zur Verwendung eines stehenden Bedieners vorgesehen, wobei sich der Arbeitsbereich im Freien befindet und gut belüftet ist.

Das Produkt ist zum Schneiden von Gras, leichtem Unkraut, und anderer ähnlicher Vegetation auf und über die Bodenfläche vorgesehen. Die Schnittebene muss ungefähr parallel zur Grundfläche sein.

Das Produkt darf nicht zum Schneiden oder Trimmen von Hecken, Büschen oder anderer Vegetation verwendet werden, wobei die Schnittebene sich nicht parallel zur Grundfläche befindet.

ALLGEMEINE SICHERHEITSWARNUNGEN

⚠️ WARNUNG

Die Sicherheitsregeln müssen befolgt werden, wenn dieses Produkt benutzt wird. Lesen Sie für Ihre eigene Sicherheit und die von Außenstehenden diese Anweisungen bevor Sie das Produkt benutzen. Bitte bewahren Sie die Anweisungen zum späteren Nachschlagen auf.

⚠️ WARNUNG

Dieses Produkt ist nicht für Kinder oder Personen mit verminderten physischen, geistigen oder sensorischen Fähigkeiten geeignet. Kinder müssen ausreichend beaufsichtigt werden, so dass gewährleistet ist, dass sie nicht mit dem Produkt spielen.

⚠️ WARNUNG

In einigen Regionen können Vorschriften die Benutzung dieses Produkts einschränken. Lassen Sie sich von Ihrer örtlichen Behörde beraten.

UNTERWEISUNG

- Erlauben Sie niemals Personen, die mit

diesen Anweisungen nicht vertraut sind, das Produkt zu benutzen. Die lokale Gesetzgebung regelt das Mindestalter des Benutzers.

- Lesen Sie die Anweisungen sorgfältig durch. Machen Sie sich mit den Bedienelementen und dem ordnungsgemäßen Gebrauch des Produktes vertraut.
- Halten Sie Zuschauer, Kinder und Haustiere 15m von dem Arbeitsbereich fern. Stoppen Sie das Produkt, wenn jemand diesen Bereich betritt.
- Arbeiten Sie niemals mit dem Produkt, wenn Sie müde oder krank sind, oder unter dem Einfluss von Alkohol, Drogen oder Medikamenten stehen.
- Vergessen Sie nie, dass der Benutzer verantwortlich ist für Unfälle und Gefahren die an Eigentum Fremder oder an anderen Personen entstehen könnte.

ELEKTRISCHE SICHERHEIT

- Der Netzstecker muss in die Steckdose passen. Der Stecker darf in keiner Weise verändert werden. Verwenden Sie keine Adapterstecker gemeinsam mit schutzgeerdeten Elektrowerkzeugen. Unveränderte Stecker und passende Steckdosen verringern das Risiko eines elektrischen Schlags.
- Unterlassen Sie unnötiges Starten des Gerätes. Überprüfen Sie immer, dass der Schalter sich in der AUS Position befindet bevor Sie das Produkt an das Stromnetz anschließen. Tragen Sie kein Gerät, welches angeschlossen ist, mit sich herum.
- Vermeiden Sie Körperkontakt mit geerdeten Oberflächen wie von Rohren, Heizungen, Herden und Kühlschränken. Es besteht ein erhöhtes Risiko durch elektrischen Schlag, wenn Ihr Körper geerdet ist.
- Benutzen Sie das Produkt nicht, wenn die Gefahr von Blitzschlag besteht.
- Setzen Sie dieses Produkt nicht im Regen oder feuchten Bedingungen aus. Ein Eindringen von Wasser in ein Gerät erhöht die Gefahr eines Stromschlags.
- Die Stromversorgung sollte über eine Fehlerstromschutzeinrichtung mit einem Auslösestrom von nicht mehr als 30 mA angeschlossen werden.
- Überprüfen Sie das Netzkabel vor jeder Benutzung auf Schäden. Wenn

Beschädigungen sichtbar sind, muss es ausgetauscht werden. Entrollen Sie bei der Benutzung immer das Netzkabel, aufgerollte Kabel können sich überhitzen.

- Wenn Sie ein Verlängerungskabel benutzen müssen, stellen Sie sicher, dass es für den Einsatz im Freien geeignet ist und ausreichend für die Strombelastung Ihres Produktes ist. Das Verlängerungskabel sollte entweder mit "H05 RN-F" oder "H05VV-F" gekennzeichnet sein. Überprüfen Sie es vor jeder Benutzung auf Schäden. Entrollen Sie es immer, weil aufgewickelte Kabel überhitzen können. Beschädigte Verlängerungskabel sollten nicht repariert werden; sie sollten durch einen gleichwertigen Typ ersetzt werden.
- Verwenden Sie das Produkt nicht falls die Stromkabel beschädigt oder abgenutzt ist.
- Trennen Sie sofort die Stromversorgung, wenn das Netzkabel oder Verlängerungskabel beim Einsatz beschädigt wird. Berühren Sie nicht die Stromkabel bis die Stromversorgung getrennt ist.
- Stellen Sie sicher, dass das Stromkabel so liegt, dass es nicht von dem Schneidwerkzeug beschädigt wird, man nicht darauf tritt, darüber stolpert, oder es auf andere Weise Beschädigungen und Belastungen ausgesetzt wird.
- Heben oder tragen Sie das Produkt niemals mit dem Netzkabel.
- Ziehen Sie niemals das Netzkabel um die Stromversorgung zu trennen.
- Halten Sie das Netzkabel fern von Hitze, Öl, und scharfen Kanten.
- Stellen Sie sicher, dass die Spannung für Ihr Produkt richtig ist. Ein Typenschild auf dem Produkt zeigt die Spannung des Produktes an. Schließen Sie das Produkt niemals an eine andere als diese Gleichstromspannung an.
- Stellen Sie sicher, dass sich der Schalter auf der Aus Position befindet, bevor Sie die Stromversorgung trennen.

VORBEREITUNG

- Tragen Sie bei Einsatz dieses Geräts vollen Augen- und Gehörschutz. Bei Arbeiten in Bereichen wo die Gefahr herabfallender Objekte besteht, muss Kopfschutz getragen werden.

- Gehörschutz kann die Fähigkeit des Benutzers Warntöne zu hören einschränken. Achten Sie besonders auf mögliche Gefahren in der Nähe und in dem Arbeitsbereich.
- Tragen Sie lange, dicke Hosen, Stiefel und Handschuhe. Tragen Sie keine locker sitzende Kleidung, kurze Hosen und keinen Schmuck; gehen Sie nicht barfuß.
- Binden Sie lange Haare zurück, so dass diese sich über Schulterhöhe befinden um zu verhindern, dass sie sich in beweglichen Teilen verfangen.
- Überprüfen Sie vor jeder Benutzung und nach jedem Schlag, dass keine Teile beschädigt sind. Ein defekter Schalter oder ein anderes Teil, das beschädigt oder abgenutzt ist, sollte durch den autorisierten Kundendienst ordnungsgemäß repariert oder ausgetauscht werden.
- Stellen Sie sicher, dass der Schneidaufsatz ordnungsgemäß montiert und befestigt ist.
- Bedienen Sie das Produkt niemals falls alle Schutzvorrichtungen, Abweiser und Griffe nicht ordnungsgemäß und sicher befestigt sind.
- Achten Sie auf die Umgebung, in der Sie arbeiten. Halten Sie den Arbeitsbereich frei von Drähten, Stöcken, Steinen und Unrat, die geschleudert werden können, wenn sie von dem Schneider getroffen werden.

GRASTRIMMER SICHERHEITSWARNUNGEN

- Erlauben Sie niemals Kindern oder Personen, die mit diesen Anweisungen nicht vertraut sind, das Produkt zu benutzen.
- Benutzen Sie das Produkt nicht bei schlechtem Licht, nur bei Tageslicht.
- Vermeiden Sie den Einsatz in nassem Gras.
- Gehen Sie nicht rückwärts, wenn Sie das Produkt benutzen.
- Halten Sie immer das Gleichgewicht. Vermeiden Sie eine abnormale Körperhaltung. Abnormale Körperhaltung kann zu einem Verlust des Gleichgewichts führen. Achten Sie an Böschungen immer auf sicheren Stand. Gehen Sie, laufen Sie nie.
- Halten Sie Zuschauer, Kinder und

Haustiere 15 m von dem Arbeitsbereich fern. Stoppen Sie das Produkt, wenn jemand diesen Bereich betritt.

- Halten Sie den Schneidaufsatz unterhalb der Hüfthöhe.
- Bedienen Sie das Produkt niemals mit beschädigten oder ohne angebauten Schutzvorrichtungen.
- Benutzen Sie niemals ein Metalleratzfaden.
- Halten Sie Ihre Hände und Füße weit von der Schneidearbeitsfläche entfernt, vor allem wenn Sie den Motor anschalten.
- Vorsicht, die Schneidelemente drehen sich weiter, nachdem der Motor ausgeschaltet ist.
- Achten Sie auf Objekte die durch das Schneidwerkzeug geschleudert werden können. Entfernen Sie alle Unrat, wie kleine Steine, Kies und andere Fremdkörper von dem Arbeitsbereich, bevor Sie die Arbeit beginnen. Drähte oder Schnüre können in dem Schneidwerkzeug verwickelt werden.
- Bitte schalten Sie das Gerät aus und trennen es von der Stromversorgung, bevor:
 - Sie das Produkt warten.
 - Sie das Produkt unbeaufsichtigt zurücklassen.
 - Sie das Produkt reinigen oder eine Blockierung beseitigen.
 - Sie Zubehörteilen wechseln.
 - Sie auf Schäden überprüfen, nachdem ein Gegenstand getroffen wurde.
 - Sie auf Schäden überprüfen, wenn das Produkt anfängt, ungewöhnlich zu vibrieren.
 - Sie Wartungsarbeiten durchführen.
- Das kleine Messer an das Schneidaufsatzschutzblech wurde so entworfen, dass den Faden in der richtigen Länge schneidet, um eine sichere und optimale Leistung zu bieten. Es ist sehr scharf, berühren Sie es nicht, besonders beim Reinigen des Werkzeugs.
- Stellen Sie immer sicher, dass die Belüftungsöffnungen frei von Ablagerungen sind.
- Stellen Sie sicher, dass der Antriebskopfaufsatz ordnungsgemäß montiert und befestigt ist.

- Stellen Sie sicher, dass alle Schutzvorrichtungen, Abweiser und Griffe ordnungsgemäß und sicher befestigt sind.
- Verändern Sie das Produkt nicht auf irgendeine Weise. Das kann die Verletzungsgefahr für Sie und andere Personen erhöhen.
- Verwenden Sie nur den Ersatz-Schneidfaden des Herstellers. Benutzen Sie keinen anderen Schneidaufsatz.
- Im Falle eines Unfalls oder einer Panne, sofort ausschalten und vom Stromnetz trennen. Benutzen Sie das Produkt nicht, bis es von einen autorisierten Kundendienst überprüft wurde.

TRANSPORT UND LAGERUNG

- Stoppen Sie die Maschine und lassen Sie sie abkühlen, bevor Sie sie lagern oder transportieren.
- Entfernen Sie alle Fremdkörper vom Produkt. Lagern Sie das Gerät an einem trockenen und gut belüfteten Ort, der Kindern keinen Zugang bietet. Von korrodierend wirkenden Stoffen, wie Gartenchemikalien und Enteisungssalzen, fernhalten. Nicht im Freien lagern.
- Zur Lagerung immer vom Stromnetz trennen und das Netzkabel aufrollen.
- Sichern Sie das Produkt beim Transport gegen Bewegung oder fallen, um Verletzungen und Beschädigung des Produktes zu verhindern.

WARTUNG UND PFLEGE

⚠ WARNUNG

Verwenden Sie ausschließlich original Ersatzteile, Zubehör und Aufsätze des Herstellers. Nichtbefolgung kann mögliche Verletzungen oder schlechte Leistung verursachen und Ihre Garantie ungültig machen.

⚠ WARNUNG

Service und Wartung des Gerätes erfordert besonderen Sorgfalt und Kenntnisstand und sollte nur durch qualifiziertes Personal durchgeführt werden. Wir empfehlen zu diesem Zweck das Produkt umgehend an einen autorisierten Kundendienst zur Reparatur zu senden. Beim Service sollten Sie nur originale Ersatzteile benutzen.

- Ausschalten und von dem Stromnetz trennen, bevor Sie Wartungsarbeiten durchführen oder reinigen.
- Sie können die hier beschriebenen Einstellungen und Reparaturen ausführen. Kontaktieren Sie Ihren autorisierten Kundendienst für andere Reparaturen.
- Verwenden Sie als Ersatzfaden nur Nylonfaden mit einem Durchmesser wie in der Tabelle dieser Bedienungsanleitung beschrieben ist.
- Bringen Sie das Produkt nach dem Herausschieben von neuen Faden immer erst wieder in die normale Betriebsposition, bevor Sie es einschalten.
- Reinigen Sie das Produkt nach jeder Benutzung mit einem weichen, trockenen Lappen. Jedes beschädigte Teil sollte durch den autorisierten Kundendienst ordnungsgemäß repariert oder ausgetauscht werden.
- Überprüfen Sie Bolzen, Muttern und Schrauben immer wieder ob alles fest angezogen sind, so dass alles sicher ablaufen kann.

RESTRISIKEN

Auch wenn das Produkt wie vorgeschrieben benutzt wird, ist es unmöglich ein gewisses Restrisiko vollständig zu beseitigen. Die folgenden Gefahren können bei der Benutzung entstehen, und der Benutzer sollte besonders auf folgende Punkte achten:

- Durch Vibrationen verursachte Verletzungen. Halten Sie das Produkt an den dafür vorgesehenen Griffen und schränken Sie die Arbeitszeit und Belastung ein.
- Lärm kann zu Gehörschäden führen. Tragen Sie einen Gehörschutz und schränken Sie die Belastung ein.

- Augenverletzungen aufgrund von fliegendem Schmutz. Tragen Sie immer einen Augenschutz.

RISIKOVERRINGERUNG

Vibrationen von in der Hand gehaltenen Produkten können bei einigen Personen zu einem Zustand, der Raynaud-Syndrom genannt wird, führen. Symptome sind u.a. Kribbeln, Taubheitsgefühl und episodische Weißfärbung der Finger und treten normalerweise bei Kälte auf. Man geht davon aus, dass ererbte Faktoren, Kälte und Feuchtigkeit, Essgewohnheiten, Rauchen und Arbeitsweise zur Entwicklung dieser Symptome beitragen. Der Anwender kann Maßnahmen ergreifen, um die Auswirkungen der Vibrationen möglicherweise zu verringern:

- Halten Sie den Körper bei Kälte warm. Tragen Sie beim Betrieb des Gerätes Handschuhe, um Hände und Handgelenke warm zu halten. Berichten zu Folge ist kaltes Wetter ein wesentlicher Faktor, der zum Raynaud Syndrom beiträgt.
- Betätigen Sie sich nach jedem Einsatz körperlich, um den Blutkreislauf zu steigern.
- Machen Sie regelmäßig Pausen. Beschränken Sie die Beanspruchung pro Tag.

Sollten bei Ihnen Symptome dieses Zustands auftreten, stellen Sie unverzüglich den Betrieb ein und suchen Sie in Hinsicht auf die Symptome einen Arzt auf.

⚠ WARNUNG

Verletzungen können durch lange Benutzung eines Werkzeugs entstehen oder verschlimmert werden. Machen Sie regelmäßig Pause, wenn Sie ein Werkzeug für lange Zeit benutzen.

MACHEN SIE SICH MIT IHREM PRODUKT VERTRAUT

Siehe Seite 131.

1. Hinterer Haltegriff
2. Feststellschalter
3. Ein-/Ausschalter
4. Vorderer Haltegriff
5. Tragegurt
6. Oberer Schaft
7. Unterer Schaft

8. Schutzvorrichtung
9. Schneidklinge
10. Schneidfaden
11. Fadenausgabekopf
12. Stromkabel
13. Kabelhalter
14. Spulenabdeckung
15. Spule
16. Öse

SYMBOLS AUF DEM PRODUKT



Lesen und verstehen Sie alle Anweisungen, bevor Sie das Produkt benutzen, befolgen Sie alle Warnungen und Sicherheitsanweisungen.



Tragen Sie einen Augenschutz.



Tragen Sie einen Gehörschutz.



Benutzen Sie kein(e) Metallklinge(n) an diesem Produkt.



Nicht Regen oder feuchten Bedingungen aussetzen.



Trennen Sie vor Wartungsarbeiten den Stecker sofort vom Stromnetz, oder falls das Kabel beschädigt, geschnitten oder verwickelt ist.



Achten Sie auf geschleuderte oder fliegende Objekte. Halten Sie alle Zuschauer, besonders Kinder und Haustiere, mindestens 15m von dem Arbeitsbereich fern.



Halten Sie die Hände von dem Fadenabschneider fern.



Klasse II Werkzeug, doppelte Isolation

Elektrische Geräte sollten nicht mit dem übrigen Müll entsorgt werden. Bitte entsorgen Sie diese an den entsprechenden Entsorgungsstellen. Wenden Sie sich an die örtliche Behörde oder Ihren Händler, um Auskunft über die Entsorgung zu erhalten.



Ukrainisches Prüfzeichen



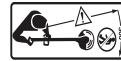
Dieses Gerät entspricht allen gesetzlichen Normen des Landes der Europäischen Union, in dem es gekauft wurde.



EurAsian Konformitätszeichen



Der garantierte Schalleistungspegel beträgt 96 dB.



Achten Sie auf geschleuderte oder fliegende Objekte. Alle Umstehenden müssen einen sicheren Abstand einhalten.

SYMBOLS IN DIESER BEDIENUNGSANLEITUNG



Anschließen an das Stromnetz



Trennen vom Stromnetz.



Teile oder Zubehör getrennt erhältlich



Hinweis



Warnung

Mit den folgenden Symbolen wird die Bedeutung der verschiedenen Risikostufen, die mit dem Produkt einhergehen, dargestellt.

⚠️ GEFAHR


Weist auf eine unmittelbare gefährliche Situation hin, die bei Missachtung zu Tod oder ernsthafter Verletzung führen kann.

⚠️ WARNUNG

Weist auf eine mögliche gefährliche Situation hin, die bei Missachtung zu Tod oder ernsthafter Verletzung führen kann.

⚠️ VORSICHT

Weist auf eine mögliche gefährliche



Situation hin, die bei Missachtung zu einer leichten oder mittleren Verletzung führen kann.

VORSICHT

Ohne Sicherheitswarnsymbol

Bezeichnet eine Situation die zu Sachbeschädigungen führen kann.

Seguridad, desempeño y fiabilidad son las prioridades en el diseño de su recortadora de hilo eléctrica.

USO PREVISTO

El producto se destina sólo a una utilización en el exterior por un operador en pie, caminando con el producto.

Este producto está diseñado para cortar hierba y maleza liviana y vegetación similar en o sobre el nivel del suelo. El plano de corte debe ser aproximadamente paralelo a la superficie del suelo.

Este producto no debería ser utilizado para cortar o recortar setos, arbustos u otro tipo de vegetación cuando el plano de corte no es paralelo a la superficie del suelo.

ALERTA DE SEGURIDAD GENERAL

⚠ ADVERTENCIA

Al utilizar el producto, deben seguirse las normas de seguridad. Por su propia seguridad y la de los que le rodean, lea estas instrucciones antes de utilizar el producto. Guarde las instrucciones para usarlas en el futuro.

⚠ ADVERTENCIA

Este producto no debe ser utilizado por niños o personas con discapacidad física, mental o sensorial. Los niños deben estar adecuadamente supervisados para asegurarse de que no juegan con el producto.

⚠ ADVERTENCIA

Algunas regiones tienen normas que limitan el uso del producto. Consulte con su autoridad local para obtener información.

APRENDIZAJE

- Nunca permita que niños o personas no familiarizadas con las instrucciones utilicen este producto. Las regulaciones locales pueden restringir la edad del operario.
- Lea las instrucciones cuidadosamente. Familiarícese con los mandos y con la correcta utilización del aparato.

- Mantenga a los transeúntes, a los niños y a los animales a 15m de distancia de la zona de operación. Apague el aparato si alguien entra en el área.
- No utilice el producto cuando esté cansado, enfermo o bajo la influencia del alcohol, las drogas o medicamentos.
- Tenga presente que el operario o usuario es responsable de los accidentes o riesgos que le puedan ocurrir a otras personas o a su propiedad.

SEGURIDAD ELÉCTRICA

- Los enchufes deben ser adecuados para la toma de corriente. No modifique el enchufe de ninguna manera. No utilice ningún adaptador con herramientas eléctricas conectadas a tierra. Utilizar enchufes sin modificar y tomas correspondientes reducirán el riesgo de descargas eléctricas.
- Evite el arranque no intencionado. Compruebe siempre que el interruptor está en la posición OFF antes de conectar la herramienta a la fuente de alimentación. No lleve una herramienta enchufada con su dedo en el interruptor.
- Evite el contacto corporal con superficies conectadas a tierra, como tuberías, radiadores, estufas y refrigeradores. Existe un mayor riesgo de descargas eléctricas si su cuerpo está conectado a tierra.
- Não utilize o produto quando existe risco de relâmpagos.
- No exponga este producto a la lluvia o humedad. Si entra agua en el aparato, esto aumentará el riesgo de descargas eléctricas.
- El suministro eléctrico debería efectuarse mediante un dispositivo de corriente residual (RDC) con una corriente activa no superior a 30 mA.
- Antes de cada uso, examine el cable para ver si está dañado. Si hay signos de daños, debe ser reemplazado por un técnico de servicio autorizado. Desenrolle siempre el cable durante el uso, los cables enrollados pueden sobrecalentarse.
- Si necesita utilizar una extensión, compruebe que es adecuada en uso en el exterior y que tiene una capacidad de corriente suficiente para alimentar el aparato. El cable de prolongación deberá llevar la marca "H05 RN-F" o "H05VV-F". Antes de cada uso compruebe que no

hay daños, mantenga siempre el cable de prolongación desenrollado mientras lo utiliza ya que los cables enrollados pueden sobrecalentarse. Los alargadores no deben repararse, deben sustituirse por otros que sean equivalentes.

- No utilizar el producto si los cables eléctricos están dañados o desgastados. Antes de cada uso, examine el cable para ver si está dañado. Mantenga siempre el cable de prolongación desenrollado mientras lo utiliza ya que los cables enrollados pueden sobrecalentarse.
- Si el cable de alimentación o el cable extensor resultan dañados durante el uso, desconectar del suministro eléctrico inmediatamente. No tocar los cables eléctricos hasta que se haya desconectado el suministro eléctrico.
- Asegúrese de que el cable de alimentación está situado de tal manera que no puede dañarse por cortes y no se pisará, estorbará ni estará sometido a daños o molestias.
- No coja ni lleve el producto por el cable eléctrico.
- No tire del cable de alimentación para desconectarlo del suministro eléctrico.
- Mantenga el cable lejos de fuentes de calor, aceite y bordes afilados.
- Asegúrese de que el voltaje es adecuado para su producto. Una placa de identificación en el producto indica el voltaje del producto. No conecte el producto a un voltaje de CA que no se corresponda con su voltaje.
- Asegúrese de que el interruptor está en posición Apagado antes de desconectarlo del suministro eléctrico.

PREPARACIÓN

- Use gafas de protección total para los ojos y oídos al utilizar este producto. Si trabaja en un área donde existe un riesgo de caída de objetos, deberá utilizar casco.
- Los protectores para los oídos pueden limitar la capacidad de los operadores para oír sonidos de advertencia. Preste especial atención a los peligros potenciales alrededor y dentro de la zona de trabajo.
- Use guantes, botas y pantalones resistentes. No utilice ropa ancha, pantalones cortos, joyas ni lo utilice con los pies descalzos.

- Recoja el cabello largo para que quede por encima del nivel de los hombros y evitar así que se enmarañe en cualquier pieza móvil.
- Antes de su uso y después de algún golpe, compruebe que no hay piezas dañadas. Los interruptores defectuosos o cualquier otra pieza dañada o gastada deben ser sustituidos o reparados adecuadamente por un establecimiento de servicio autorizado.
- Asegúrese de que el accesorio de corte está correctamente instalado y ajustado.
- Nunca use el producto excepto si todas las protecciones, deflectores y mangos están unidos de forma correcta y segura.
- Considere el ambiente en donde está trabajando. Mantenga la zona de trabajo libre de cables, palos, piedras y suciedad que, si son golpeados por la cuchilla, puedan convertirse en objetos lanzados.

ADVERTENCIAS DE SEGURIDAD DE LA PODADORA

- Nunca permita que niños o personas no familiarizadas con las instrucciones utilicen este producto.
- Use el producto de día o bajo luz artificial bien iluminada.
- Evite el uso en hierba mojada.
- No camine hacia atrás mientras use este producto.
- Mantenga su pisada firme y su equilibrio. No se extienda demasiado. Si lo hace, podrá perder el equilibrio. Asegúrese siempre de que está en una posición firme y segura cuando se encuentre en una cuesta y desplácese caminando, nunca corriendo.
- Mantenga a los transeúntes, a los niños y a los animales a 15 m de distancia de la zona de operación. Apague el aparato si alguien entra en el área.
- Mantenga el accesorio de corte por debajo del nivel de la cintura.
- No utilice el producto con las cubiertas dañadas o sin tenerlas colocadas.
- Nunca adapte una línea de reemplazo de metal.
- Mantenga las manos y los pies lejos de los medios cortantes en todo momento y especialmente cuando encienda el motor.
- Tenga cuidado. Los elementos de corte



siguen rotando después de apagar el motor.

- Tenga cuidado con los objetos lanzados por el medio de corte. Limpie la suciedad como pequeñas piedras, gravilla y otros objetos extraños de la zona de trabajo antes de empezar a operar. Los alambres o las cuerdas pueden enredarse en las líneas de corte.
- Desactivar y desconectar del suministro eléctrico antes de:
 - mantenimiento
 - dejar el producto desatendido
 - limpieza y desobstrucción de bloqueo de su producto
 - cambiar accesorios
 - comprobar si hay daños después de golpear un objeto
 - comprobar si hay daños en caso de que el producto empiece a vibrar de un modo anormal
 - realizar operaciones de mantenimiento
- La pequeña cuchilla encajada en el protector del césped está diseñada para cortar la nueva línea ampliada a la longitud correcta a fin de obtener un rendimiento seguro y óptimo. Es muy afilada, no la toque, especialmente cuando limpie la herramienta.
- Asegúrese siempre de que las aberturas de ventilación estén libres de residuos.
- Asegúrese de que el accesorio de corte está correctamente instalado y ajustado.
- Asegúrese de que todas las protecciones, deflectores y mangos están unidos de forma correcta y segura.
- No modifique, de ninguna manera, el producto, ya que puede aumentar el riesgo de lesionarse usted o de lesionar a los demás.
- Utilice sólo el hilo de corte de recambio del fabricante. No utilice ningún tipo de pieza cortante.
- Inmediatamente apague y desconecte de la red eléctrica una vez en caso de accidente o avería. No utilice el producto de nuevo hasta que sea totalmente revisado por un centro de servicio autorizado.

TRANSPORTE Y ALMACENAMIENTO

- Pare el producto y deje que se enfríe antes de guardarla o transportarla.

- Limpie todo el material extraño que pueda permanecer en el producto. Guarde en una zona seca y bien ventilada, a la que no puedan acceder los niños. Evite el contacto con agentes corrosivos tales como productos químicos de jardinería o sales descongelantes. No almacenar al aire libre.
- Para su almacenamiento, desconectar siempre del suministro eléctrico y enrollar el cable.
- Para transportar el producto, sujételo de modo que no se mueva ni se caiga para evitar lesiones personales o daños al producto.

MANTENIMIENTO

⚠ ADVERTENCIA

Utilice sólo piezas y accesorios de recambio originales del fabricante. Si no lo hace podría ocurrir un mal funcionamiento, podrían producirse daños o podría quedar anulada la garantía.

⚠ ADVERTENCIA

Las reparaciones requieren tener mucho cuidado y conocimiento y sólo debe realizarse por un técnico de servicio calificado. Para obtener servicio, le sugerimos que devuelva el producto al centro de servicio autorizado más cercano para reparación. Al realizar una reparación, sólo use piezas de reemplazo idénticas.

- Apague y desenchufe el aparato de la toma antes de realizar cualquier operación de mantenimiento o de limpieza.
- Podrá realizar los ajustes y reparaciones necesarios que se describen en este manual. Para otro tipo de reparaciones póngase en contacto con un agente de servicios autorizado.
- Para sustituir el hilo utilice solo hilo con filamento de nylon del diámetro descrito en la tabla de características de este manual.
- Después de extender un nuevo hilo de corte, asegúrese siempre de que el producto está en su posición de funcionamiento normal antes de encenderla.
- Limpiar el producto con un paño suave seco después de cada uso. Cualquier pieza

- EN
- FR
- DE
- ES**
- IT
- NL
- PT
- DA
- SV
- FI
- NO
- RU
- PL
- CS
- HU
- RO
- LV
- LT
- ET
- HR
- SL
- SK
- BG
- UK
- TR



dañada debe ser sustituida o reparada adecuadamente por un centro de servicio autorizado.

- Verifique a intervalos frecuentes si todas las tuercas, pernos y tornillos están apretados apropiadamente para asegurarse de que el equipo esté en buenas condiciones de trabajo.

RIESGOS RESIDUALES

Incluso cuando se utiliza el producto según las instrucciones, sigue siendo imposible eliminar por completo ciertos factores de riesgo residuales. Los siguientes peligros pueden surgir en el uso y el operador debe prestar especial atención para evitar lo siguiente:

- Lesiones por vibración. Sujete el producto por los mangos destinados al efecto y limite el tiempo de funcionamiento y de exposición.
- La exposición al ruido puede causar pérdidas de audición. Use protección para los oídos y limite el tiempo de exposición.
- Lesiones oculares provocadas por detritos proyectados. Use siempre protección para los ojos.

REDUCCIÓN DEL RIESGO

Se ha demostrado que las vibraciones provenientes de productos que se sostienen con las manos pueden contribuir a la aparición de una enfermedad denominada Síndrome de Raynaud en determinados individuos. Los síntomas pueden incluir hormigueo, entorpecimiento y decoloración de los dedos, generalmente aparentes cuando tiene lugar una exposición al frío. Se considera que los factores hereditarios, exposición al frío y a la humedad, dieta, tabaquismo y prácticas de trabajo contribuyen al desarrollo de estos síntomas. Existen medidas que pueden ser tomadas por el operador para reducir los efectos de vibración:

- Mantenga su cuerpo caliente durante el tiempo frío. Al manipular el producto, utilice guantes para mantener las manos y las muñecas calientes. Hay informes que indican que el tiempo frío es un gran factor que contribuye al síndrome de Raynaud.
- Después de cada período de funcionamiento, realice ejercicios para aumentar la circulación sanguínea.
- Haga pausas de trabajo frecuentes. Limite

la cantidad de exposición por día.

Si siente alguno de los síntomas de esta enfermedad, interrumpa inmediatamente el uso y consulte a su médico estos síntomas.

⚠ ADVERTENCIA

El uso prolongado de una herramienta puede causar o agravar lesiones. Al utilizar cualquier herramienta durante períodos prolongados asegúrese de tomar descansos regulares.

CONOZCA SU PRODUCTO

Véase la página 131.

1. Mango trasero
2. Botón desbloqueo
3. Gatillo
4. Mango delantero
5. Arnés
6. Eje superior
7. Eje inferior
8. Protección de seguridad
9. Cuchilla de corte
10. Cutting line
11. Cabezal con alimentación por "golpe"
12. Cable de alimentación
13. Retenedor de cable
14. Cubierta del carrete
15. Bobina
16. Ojal

SÍMBOLOS EN EL PRODUCTO



Lea y comprenda todas las instrucciones antes de manipular el producto, respete las advertencias y las instrucciones de seguridad.



Utilice protección ocular



Use protección para los oídos



No utilice cuchillas metálicas en el producto.



No la exponga a la lluvia o a lugares húmedos.



Retire el enchufe de la corriente inmediatamente antes de realizar cualquier mantenimiento o si el cable está dañado, cortado o enredado.



Tenga cuidado con los objetos volátiles o lanzados. Mantenga a todos los espectadores, especialmente a los niños y las mascotas, por lo menos a 15 metros de la zona de trabajo.



Mantenga las manos apartadas de la hoja de corte.



Herramienta de tipo II, doble aislamiento



Los productos eléctricos de desperdicio no deben desecharse con desperdicios caseros. Por favor recíclelos donde existan dichas instalaciones. Compruebe con su autoridad local o minorista para reciclar.



Marca de conformidad ucraniana



Esta herramienta responde a todas las normas reglamentarias del país de la UE donde se ha comprado.



Certificado EAC de conformidad



El nivel de potencia sonora garantizado es de 96 dB.



Tenga cuidado con los objetos volátiles o lanzados. Mantenga a todos los transeúntes a una distancia de seguridad.



Las piezas o accesorios se venden por separado



Nota



Advertencia

Los siguientes símbolos y palabras detallan los niveles de cuidado necesarios para usar este producto.

⚠ PELIGRO

Indica una situación potencialmente peligrosa que, de no evitarse, puede ocasionar la muerte o heridas de gravedad.

⚠ ADVERTENCIA

Indica una situación peligrosa que, de no evitarse, puede ocasionar la muerte o heridas de gravedad.

⚠ ADVERTENCIA

Indica una situación potencialmente peligrosa que, de no evitarse, puede ocasionar heridas leves.

ADVERTENCIA

Sin símbolo de alerta de seguridad
Indica una situación que puede causar daños en las cosas.

- EN
- FR
- DE
- ES**
- IT
- NL
- PT
- DA
- SV
- FI
- NO
- RU
- PL
- CS
- HU
- RO
- LV
- LT
- ET
- HR
- SL
- SK
- BG
- UK
- TR

SÍMBOLOS EN ESTE MANUAL



Conectar a la toma de corriente.



Desconectar de la toma de corriente.

E stata data massima priorità a sicurezza, prestazioni e affidabilità nel design di questo decespugliatore elettrico a filo.

UTILIZZO RACCOMANDATO

Il prodotto è disegnato per essere utilizzato all'esterno da un operatore in posizione eretta che cammina dietro al motocoltivatore.

Il prodotto è progettato per tagliare erba, erbacce sottili e altra vegetazione simile al o attorno al livello del terreno. Il piano di taglio dovrebbe essere approssimativamente parallelo alla superficie del terreno.

Il prodotto non deve essere utilizzato per tagliare o sfrondare siepi, cespugli o altra vegetazione in cui il piano di taglio non è parallelo alla superficie del terreno.

AVVERTENZE GENERALI DI SICUREZZA

⚠ AVVERTENZA

Quando si utilizza questo prodotto, seguire eventuali norme di sicurezza. Per la propria sicurezza e per la sicurezza degli osservatori, leggere queste istruzioni prima di mettere in funzione il prodotto. Conservare le istruzioni per eventuali utilizzi futuri.

⚠ AVVERTENZA

Prodotto non inteso per essere utilizzato da bambini o persone con ridotte capacità fisiche, mentali o sensoriali. Supervisionare adeguatamente i bambini per assicurarsi che non giochino con il prodotto.

⚠ AVVERTENZA

Alcune regioni hanno norme che limitano l'utilizzo del prodotto. Rivolgersi alle autorità locali per eventuali consigli.

UTILIZZO

- Non lasciare che bambini o persone che non conoscono le istruzioni lo utilizzino. Leggi locali possono limitare l'età dell'operatore.
- Leggere attentamente le istruzioni. Familiarizzare con tutti i controlli e con l'utilizzo corretto del prodotto.

- Tenere osservatori, bambini e animali ad almeno 15 metri di distanza dall'area delle operazioni. Arrestare il prodotto nel caso in cui eventuali osservatori entrino nell'area di lavoro.
- Non utilizzare il prodotto se stanchi, malati o sotto l'influenza di alcool, droghe o medicinali.
- Ricordare che l'operatore sarà responsabile di eventuali lesioni o danni a persone o cose.

SICUREZZA ELETTRICA

- Le prese dell'alimentazione devono essere compatibili con la spina. Non modificare la spina in alcun modo. Non utilizzare spine adattatrici con elettroutensili con messa a terra (presa di terra). Spine non modificate e prese corrispondenti ridurranno il rischio di scosse elettriche.
- Non mettere in funzione accidentalmente l'utensile. Controllare sempre che l'interruttore sia in posizione OFF (spento) prima di collegare l'utensile all'alimentazione. Non trasportare mai l'utensile con il dito sull'interruttore.
- Evitare il contatto del corpo con superfici con messa a terra come tubi, radiatori, piani cottura e refrigeratori. Rischio aumentato di scosse elettriche se il corpo viene collegato con messa a terra.
- Non mettere in funzione il prodotto in caso di fulmini.
- Non esporre il prodotto a pioggia o umidità. Si aumenterà il rischio di scosse elettriche nel caso in cui l'acqua entri nel dispositivo.
- La corrente elettrica dovrà essere fornita attraverso un dispositivo di corrente residua (RCD) con una corrente di scatto non superiore a 30 mA.
- Prima di ogni utilizzo, controllare il cavo dell'alimentazione per evidenziare eventuali danni. In caso di danni rivolgersi a un tecnico qualificato. Srotolare sempre il cavo prima dell'uso, cavi arrotolati possono surriscaldarsi.
- Nel caso in cui si abbia bisogno di una prolunga assicurarsi che la stessa sia adatta all'utilizzo in esterni e abbia una capacità di corrente sufficiente per alimentare il prodotto. La prolunga dovrà essere marcata con "H05 RN-F" o "H05VV-F". Controllare che l'utensile non presenti danni prima di ogni utilizzo.



Srotolare sempre il cavo della tensione durante l'utilizzo dal momento che cavi arrotolati potranno surriscaldarsi. Cavi di prolughe danneggiati non devono essere riparati, devono essere sostituiti con un tipo equivalente.

- Non utilizzare il prodotto se i cavi elettrici sono stati danneggiati o sono consumati. Prima di ogni utilizzo, controllare il cavo dell'alimentazione per evidenziare eventuali danni. Srotolare sempre il cavo della tensione durante l'utilizzo dal momento che cavi arrotolati potranno surriscaldarsi.
- Se il cavo dell'alimentazione o la prolunga vengono danneggiati durante l'utilizzo scollegarli immediatamente dall'alimentazione. Non toccare i cavi elettrici prima che l'alimentazione non sia stata scollegata.
- Assicurarsi che il cavo dell'alimentazione sia posizionato in modo da non essere danneggiato dai dispositivi di taglio, in modo che non venga calpestato o da non causare inciampo né che venga sottoposto a danni o stress.
- Non prendere né trasportare mai il prodotto dal cavo elettrico.
- Non scollegare mai l'utensile tirando il cavo dalla presa.
- Tenere il cavo lontano da fonti di calore, olio e angoli appuntiti.
- Assicurarsi che il voltaggio sia corretto per il prodotto. Una targhetta sul prodotto indica il voltaggio del prodotto. Non collegare il prodotto a voltaggio AC diverso dal voltaggio del presente prodotto.
- Assicurarsi che l'interruttore sia su OFF (spento) prima di scollegarlo dall'alimentazione.

PREPARAZIONE

- Indossare occhiali e cuffie di protezione mentre si utilizza questo prodotto. Nel caso in cui si sia lavorando in un'area dove vi sia rischio di caduta di oggetti, indossare sempre una protezione per la testa.
- Le cuffie di protezione potranno limitare la capacità di ascoltare avvertenze e rumori, prestare quindi particolare attenzione a rischi potenziali attorno e all'interno dell'area di lavoro.
- Indossare pantaloni lunghi e resistenti, stivali e guanti da lavoro. Non indossare

abbigliamento con parti svolazzanti, pantaloni corti, gioielli di ogni genere né utilizzare il dispositivo a piedi scalzi.

- Assicurare i capelli lunghi al di sopra delle spalle per evitare che rimangano impigliati nelle parti in movimento.
- Prima dell'utilizzo e dopo ogni impatto, controllare che non vi siano parti danneggiate. Un interruttore difettoso o qualsiasi parte danneggiata o consumata dovrebbe essere accuratamente riparata o sostituita da un servizio autorizzato.
- Assicurarsi che l'accessorio di taglio sia accuratamente installato e serrato.
- Non mettere mai in funzione il prodotto a meno che tutti gli schermi, i deflettori e i manici siano correttamente e saldamente montati.
- Non utilizzare l'elettrotensile in ambienti umidi o in presenza di acqua. Tenere l'area di lavoro pulita, rimuovendo sempre cavi, bastoni, pietre e detriti che, se incastrati nell'utensile, potranno venire scagliati dalla stessa.

AVVERTENZE DI SICUREZZA DEL FILO DI TAGLIO

- Tenere il prodotto lontano dalla portata dei bambini e di persone che non ne conoscono l'uso o le istruzioni di funzionamento.
- Utilizzare il prodotto con la luce del giorno o con una buona illuminazione artificiale.
- Evitare di utilizzare sull'erba bagnata.
- Non camminare all'indietro quando si utilizza l'utensile.
- Mantenere sempre un appoggio saldo e l'equilibrio. Non protendersi. Protendersi potrà causare una perdita di equilibrio. Assicurarsi sempre un solido equilibrio su pendii e camminare sempre, non correre mai.
- Tenere osservatori, bambini e animali ad almeno 15 metri di distanza dall'area delle operazioni. Arrestare il prodotto nel caso in cui eventuali osservatori entrino nell'area di lavoro.
- Tenere l'accessorio di taglio al di sotto dell'addome.
- Non mettere mai in funzione il prodotto con paralame danneggiati o senza paralame.
- Non sostituire mai un cavo di metallo.
- Tenere mani e piedi lontani dalle parti di taglio e soprattutto durante l'accensione

EN
FR
DE
ES
IT
NL
PT
DA
SV
FI
NO
RU
PL
CS
HU
RO
LV
LT
ET
HR
SL
SK
BG
UK
TR



del motore.

- Fare attenzione, gli elementi di taglio continueranno a ruotare dopo aver spento il motore.
- Fare attenzione agli oggetti che potranno essere scagliati dalle parti di taglio dell'utensile. Rimuovere i detriti come piccole pietre, sassolini e simili dall'area di lavoro prima di avviare le operazioni. I cavi o fili potranno rimanere impigliati nelle parti di taglio.
- Spegnerne e scollegare dall'alimentazione prima di:
 - assistenza
 - Lasciare il prodotto incustodito
 - Pulire il prodotto o rimuovere un eventuale blocco
 - Cambio accessori
 - Controllare eventuali danni dopo aver colpito un oggetto
 - Controllare eventuali danni se il prodotto inizia a vibrare eccessivamente
 - Svolgere le operazioni di manutenzione
- La lama piccola montata sul paraerba è progettata per tagliare il nuovo filo di taglio alla corretta lunghezza per sicurezza e prestazioni ottimali. È molto affilato, non toccarlo soprattutto quando si pulisce l'utensile.
- Assicurarsi che le griglie di ventilazione siano pulite e rimuovere eventuali materiali di scarto rimasti intrappolati.
- Assicurarsi che l'accessorio di taglio sia accuratamente installato e serrato.
- Assicurarsi che paralame, deflettori e manici siano montati accuratamente e correttamente.
- Non modificare il prodotto in alcun modo dal momento che ciò potrà aumentare il rischio di lesioni a se stessi e agli altri.
- Utilizzare solo il filo di taglio di sostituzione della ditta produttrice. Non utilizzare alcun altro accessorio di taglio.
- Spegnerne immediatamente e scollegare dalla rete una volta che in caso di incidente o di guasto. Non utilizzare nuovamente il prodotto fino a che è completamente controllato dal centro di assistenza autorizzato.

TRASPORTO E RIPONIMENTO

- Arrestare l'utensile e lasciarlo raffreddare prima di riporlo o trasportarlo.
- Rimuovere eventuali materiali di scarto dal prodotto. Riporre in un luogo asciutto e ben ventilato non accessibile ai bambini, tenerlo a distanza da agenti corrosivi, come le sostanze chimiche per il giardinaggio e il fondente chimico. Non riporre all'esterno.
- Scollegare dall'alimentazione e arrotolare il cavo prima di riporre l'utensile.
- Per il trasporto, assicurare il prodotto contro ogni movimento o contro eventuali cadute per evitare lesioni a persone o danni al prodotto.

MANUTENZIONE

▲ AVVERTENZA

Utilizzare solo parti di ricambio, accessori e dispositivi originali della ditta produttrice. In caso contrario si potranno causare lesioni, prestazioni basse e la garanzia verrà invalidata.

▲ AVVERTENZA

Le operazioni di manutenzione devono essere svolte con grande attenzione e accortezza solo da un tecnico qualificato. Si consiglia di riportare l'utensile al più vicino centro assistenza autorizzato per farlo riparare. Quando l'attrezzo viene riparato, utilizzare solo ricambi identici.

- Spegnerne e scollegare dall'alimentazione principale prima di svolgere operazioni di manutenzione o pulizia.
- Si potranno svolgere le regolazioni e riparazioni indicate qui. Per ulteriori riparazioni, contattare il centro servizi autorizzato.
- Per sostituire il filo di taglio, utilizzare solo il filo in nylon del diametro descritto nella tabella delle specifiche del presente manuale.
- Dopo aver esteso il nuovo filo di taglio, riportare sempre il prodotto alla normale posizione di funzionamento prima dell'avvio.
- Dopo ogni uso, pulire il prodotto con un panno morbido e asciutto. Riparare

eventuali parti danneggiate o farle sostituire da un centro servizi autorizzato.

- Controllare frequentemente dadi, bulloni e viti, verificando che siano stati assicurati correttamente per fare in modo che l'utensile garantisca condizioni di lavoro ottimali.

RISCHI RESIDUI

Anche quando il prodotto viene utilizzato come indicato, è impossibile eliminare completamente alcuni fattori di rischio residuo. Si potranno verificare i seguenti rischi durante l'utilizzo e l'operatore dovrà prestare attenzione speciale per evitare quanto segue:

- Lesioni causate da vibrazioni. Reggere il prodotto dai manici e limitare i tempi di utilizzo e l'esposizione.
- L'esposizione al rumore può causare lesioni all'udito. Indossare cuffie di protezione e limitare l'esposizione.
- Lesioni agli occhi causate da detriti scagliati dall'utensile. Indossare sempre protezioni per gli occhi.

RIDUZIONE DEL RISCHIO

Le vibrazioni ai prodotti manuali possono contribuire a causare una condizione che si chiama Sindrome di Raynaud in alcune persone. I sintomi, comprendenti formicolio, intorpidimento e perdita di colore alle dita, si verificano di solito quando ci si espone al freddo. Fattori ereditari, esposizione a freddo e umidità, una dieta scorretta, fumo e condizioni di lavoro non sicure potranno contribuire allo sviluppo di questi sintomi. È possibile prendere delle precauzioni per ridurre le vibrazioni:

- Tenere il corpo al caldo a basse temperature. Quando si utilizza il prodotto indossare guanti per tenere le mani e i polsi caldi. Le basse temperature contribuiscono a causare la Sindrome di Raynaud.
- Dopo aver utilizzato l'utensile per un certo periodo, fare degli esercizi per stimolare la circolazione del sangue.
- Fare spesso delle pause. Limitare la quantità di esposizione giornaliera.

Nel caso in cui si provino i sintomi di questa condizione, interrompere immediatamente l'utilizzo dell'utensile e consultare un dottore.

AVVERTENZA

Il prolungato utilizzo dell'utensile potrà causare o aggravare lesioni. Quando si utilizza questo utensile per periodi di tempo prolungati, assicurarsi di fare sempre delle pause regolari.

FAMILIARIZZARE CON IL PRODOTTO

Vedere pagina 131.

1. Manico posteriore
2. Tasto di sblocco
3. Grilletto
4. Manico anteriore
5. Cinghia
6. Albero superiore
7. Albero inferiore
8. Schermo di sicurezza
9. Lama di taglio
10. Filo di taglio
11. Testina a filo
12. Cavo di alimentazione
13. Dispositivo di blocco cavo
14. Coperchio bobina
15. Bobina
16. Occhiello

SIMBOLI SUL PRODOTTO



Leggere e comprendere tutte le istruzioni prima di mettere in funzione il prodotto, seguire tutte le istruzioni e le avvertenze di sicurezza.



Indossare dispositivi di protezione occhi



Indossare cuffie di protezione.



Non utilizzare lama(e) metallica(he) con questo prodotto.



Non esporre a pioggia o umidità.



Rimuovere la spina dalla presa immediatamente prima di svolgere le operazioni di manutenzione o se il cavo è danneggiato, tagliato o impigliato.



Fare attenzione ad oggetti scagliati o lanciati dall'utensile. Tenere lontani tutti gli osservatori, soprattutto bambini e animali, ad almeno 15m dalla zona di funzionamento.



Tenere le mani lontane dalle lame di taglio.



Utensile di Classe II, isolamento doppio



I prodotti elettrici non devono essere smaltiti con i rifiuti domestici. Vi sono strutture per smaltire tali prodotti. Compruebe con su autoridad local o minorista para reciclar.



Marchio di conformità ucraino



Questo apparecchio è conforme a tutte le norme vigenti nel paese dell'UE in cui è stato acquistato.



Marchio di conformità EurAsian



Il livello garantito di potenza sonora è di 96 dB.



Fare attenzione ad oggetti scagliati o lanciati dall'utensile. Tenere gli osservatori a una distanza di sicurezza dalla macchina.

SIMBOLI NEL PRESENTE MANUALE



Collegare alla presa dell'alimentazione



Scollegare dalla presa dell'alimentazione



Parti o accessori venduti separatamente



Nota



Avvertenze

I seguenti simboli indicano i livelli di rischio associati a questo prodotto.

⚠ PERICOLO

Indica una situazione pericolosa che, se non evitata attentamente, potrà causare gravi lesioni alla persona o morte.

⚠ AVVERTENZA

Indica una situazione potenzialmente pericolosa che, se non evitata attentamente, potrà causare gravi lesioni alla persona o morte

⚠ ATTENZIONE

Indica una situazione potenzialmente pericolosa che, se non evitata attentamente, potrà causare lesioni minori o moderate alla persona.

ATTENZIONE

Senza simbolo di allerta di sicurezza Indica una situazione che potrà risultare in gravi danni a cose.

Veiligheid, prestaties, betrouwbaarheid kregen topprioriteit in het ontwerp van uw elektrische lijntrimmer.

VOORGESCHREVEN GEBRUIK

Het product is uitsluitend bedoeld voor buitenshuis gebruik door een rechtopstaande bediener die met het product wandelt.

Het product is ontworpen voor het maaien van gras, licht onkruid en andere gelijkaardige vegetatie op en nabij bodemniveau.

Het product mag niet worden gebruikt om hekken, struiken of andere begroeiing te snoeien of trimmen waar het maaiblad niet parallel is met de grond.

ALGEMENE VEILIGHEIDSWAARSCHUWINGEN

⚠ WAARSCHUWING

Wanneer u het product gebruikt, moeten de veiligheidsregels worden opgevolgd. Voor uw eigen veiligheid en deze van omstanders, dient u deze instructies te lezen voor u het product gebruikt. Bewaar de instructies op een veilige plaats voor later gebruik.

⚠ WAARSCHUWING

Het product is niet geschikt voor gebruik door kinderen of personen met verminderde fysieke, mentale of zintuigelijke vermogens. Kinderen moeten onder toezicht staan om ervoor te zorgen dat ze niet met het product spelen.

⚠ WAARSCHUWING

Enkele regio's hebben regels die het gebruik van het product beperken. Raadpleeg uw lokale autoriteit voor advies.

OPLEIDING

- Laat kinderen of personen die niet vertrouwd zijn met deze instructies, het product gebruiken. De plaatselijke wetgeving kan beperkingen opleggen i.v.m. de leeftijd van de bediener.
- Lees zorgvuldig de instructies. Wees vertrouwd met alle bedieningen en het

correct gebruik van het product.

- Houd omstaanders, kinderen en huisdieren op tenminste 15m afstand van het werkgebied. Leg het product stil als iemand het werkgebied betreedt.
- Gebruik het product nooit als u moe of ziek bent of onder de invloed van alcohol, drugs of medicijnen staat.
- Hou er rekening mee dat de bediener of gebruiker verantwoordelijk is voor ongevallen of gevaren t.o.v. anderen of hun eigendom.

ELEKTRISCHE VEILIGHEID

- De stekker moet overeenkomen met de contactdoos. Wijzig de stekker nooit. Gebruik geen adapters met geaarde elektrische werktuigen. Niet-gewijzigde stekkers en overeenkomstige contactdozen zullen het risico op elektrische schok verminderen.
- Voorkom ongewild starten. Controleer altijd of de schakelaar zich in de "Off"-positie bevindt voor u het werktuig met de stroomtoevoer verbindt. Draag geen gereedschap met de stekker in het stopcontact en uw vinger op de schakelaar.
- Vermijd lichaamscontact met een geaard oppervlak, zoals buizen, radiatoren, kookfornuizen en koelkasten. Er bestaat een verhoogd risico voor elektrische schokken als uw lichaam is geaard.
- Gebruik het product niet als er een kans op bliksem bestaat.
- Stel het product niet bloot aan regen of natte omstandigheden. Water dat in het apparaat binnensijpelt verhoogt het risico voor elektrische schok.
- Elektrische stroom moet via een aardlekschakelaar (RCD) worden geleverd met een uitschakelstroom van niet meer dan 30 mA.
- Voor elk gebruik controleert u het stroomsnoer op schade. Als er tekenen van schade zijn, moet deze door een gekwalificeerde onderhoudstechnicus worden vervangen. Ontrol het stroomsnoer altijd tijdens gebruik, opgerolde snoeren kunnen oververhitten.
- Als u een verlengsnoer moet gebruiken, zorg er dan voor dat dit geschikt is voor buitenshuis gebruik en dat het stroomvermogen voldoende is om uw product van stroom te voorzien. Als er tekenen van schade zijn, moet deze door

een gekwalificeerde onderhoudstechnicus worden vervangen. Controleer voor elk gebruik op schade. Ontrol het verlengsnoer altijd tijdens gebruik omdat opgerolde kabels kunnen oververhitten. Beschadigde verlengsnoeren mogen niet worden hersteld, maar moeten door een gelijkaardig type worden vervangen.

- Gebruik het product niet als de elektrische kabels beschadigd of versleten zijn. Voor elk gebruik controleert u het stroomsnoer op schade. Ontrol het verlengsnoer altijd tijdens gebruik omdat opgerolde kabels kunnen oververhitten.
- Als het stroom- of verlengsnoer tijdens het gebruik beschadigd raakt, dient u het onmiddellijk van de stroomtoevoer te ontkoppelen. Raak de elektrische kabels niet aan tot de stroomtoevoer werd ontkoppeld.
- Zorg ervoor dat het stroomsnoer zo is geplaatst dat het niet door de snijelementen kan worden beschadigd en men er niet kan op trappen, er over struikelen of op een andere manier beschadigen of onder druk brengen.
- Til het product nooit op aan de elektrische kabel of draag het nooit aan de elektrische kabel.
- Trek nooit aan het stroomsnoer om van de stroomtoevoer te ontkoppelen.
- Houd het snoer weg van hitte, olie of scherpe randen.
- Zorg ervoor dat de spanning correct is voor uw product. Een naamplaatje op het product duidt de spanning van het product aan. Verbind het product nooit met een AC-spanning die verschilt van deze spanning.
- Zorg ervoor dat de schakelaar zich in de Off-positie bevindt voor u de machine van de stroombron ontkoppelt.

VOORBEREIDING

- Draag volledige gezichts- en gehoorbescherming terwijl u het product bedient. Als u op een plaats werkt waar het risico bestaat op vallende voorwerpen moet een veiligheidshelm worden gedragen.
- Gehoorbescherming kan de mogelijkheid van de bediener om waarschuwingsgeluiden te horen, beperken. Wees bijzonder aandachtig voor mogelijke gevaren rond en op de werkplaats.
- Draag een zware lange broek, laarzen en

handschoenen. Draag geen losse kleding, korte broek, juwelen van enig soort en gebruik het apparaat niet met blote voeten.

- Maak lang haar vast boven schouderhoogte om te voorkomen dat het verstrikt raakt in de bewegende delen.
- Voor gebruik en na elke impact controleert u op beschadigde onderdelen. Een defecte schakelaar of een ander onderdeel dat beschadigd of versleten is, moet deskundig worden hersteld of vervangen door een geautoriseerde onderhoudsdienst.
- Zorg ervoor dat het snijvoorzetstuk goed is geïnstalleerd en stevig is vastgemaakt.
- Gebruik het product nooit tenzij alle beschermers, deflectoren en handvatten correct en stevig zijn bevestigd.
- Hou rekening met de omgeving waarin u werkt. Houd het werkgebied vrij van kabels, stokken, stenen en afval dat door de maaier kan worden weggeworpen, indien geraakt.

VEILIGHEIDSWAARSCHUWINGEN LIJNTRIMMER

- Laat kinderen of mensen die niet vertrouwd zijn met de gebruiksaanwijzingen, het product nooit gebruiken.
- Gebruik het product bij daglicht of bij goed kunstmatig licht.
- Vermijd gebruik van de machine op nat gras.
- Stap niet achteruit terwijl u het product gebruikt.
- Bewaar steeds een stevige houvast en goed evenwicht. Overrek u niet. Rek u niet uit, waardoor u uw evenwicht kunt verliezen. Zorg altijd dat u stevig vast staat op hellingen en wandel, ren nooit.
- Houd omstaanders, kinderen en huisdieren op tenminste 15 m afstand van het werkgebied. Leg het product stil als iemand het werkgebied betreedt.
- Houd het snijvoorzetstuk onder het heupniveau.
- Gebruik het product nooit wanneer de beschermers beschadigd of niet gemonteerd zijn.
- Monteer nooit een metalen vervangingslijn.
- Hou handen en voeten steeds helemaal weg bij het inschakelen van de motor en tijdens het snijden.

- Pas op! De snijelementen blijven draaien nadat de motor is uitgeschakeld.
- Wees voorzichtig voor voorwerpen die door de snijelementen worden weggegooid. Verwijder afval, zoals kleine stenen, grind en andere vreemde voorwerpen uit het werkgebied voor u begint te werken. Draden of touw kunnen/kan in het snijmechanisme vast komen te zitten.
- Schakel de machine uit en ontkoppel deze van de stroombron voor:
 - onderhoud
 - het product onbeheerd achterlaten
 - uw product reinigen of een blokkering vrijmaken
 - accessoires vervangen
 - controleer op schade nadat u een voorwerp hebt geraakt
 - controleer op schade als het product abnormaal begint te trillen
 - onderhoud uitvoeren
- Het kleine snijblad dat in de maaibeschermer is geïntegreerd, is ontworpen om de nieuwe uitgebrachte lijn op de correcte lengte af te snijden voor veilige en optimale prestaties. Het is heel scherp, niet aanraken, vooral niet terwijl u het werktuig reinigt
- Zorg er altijd voor dat de ventilatieopeningen vrij blijven van afval.
- Zorg ervoor dat het snijvoorzetstuk goed is geïnstalleerd en stevig is vastgemaakt.
- Zorg ervoor dat alle beschermers en handvatten goed en veilig zijn vastgemaakt.
- Wijzig het product niet aangezien dit het risico op letsels voor uzelf en anderen kan verhogen.
- Gebruik alleen de vervangmaailijn van de fabrikant. Gebruik geen enkel ander maaivoorzetstuk.
- Onmiddellijk uitschakelen en de stekker uit het stopcontact eenmaal in het geval van een ongeval of pech. Gebruik het product niet meer werken totdat deze volledig is gecontroleerd door geautoriseerd service center.

TRANSPORT EN OPSLAG

- Leg het product stil en laat het afkoelen voor u het opbergt of transporteert.
- Verwijder alle vreemde voorwerpen van het product. Bewaar op een koele, droge en goed geventileerde plaats

- die niet toegankelijk is voor kinderen. Houd corrosieve producten, zoals tuinchemicaliën en strooizout uit de buurt van het apparaat. Bewaar niet buitenshuis.
- Ontkoppel de machine altijd van de stroomtoevoer en rol de kabel op als u de machine bewaart.
- Voor transport beveiligd u het product tegen bewegen of vallen om lichamelijke letsels of schade aan het product te voorkomen.

ONDERHOUD

⚠ WAARSCHUWING

Gebruik uitsluitend originele vervangonderdelen, accessoires en voorzetstukken van de fabrikant. Als u dit niet doet, kan dit mogelijks letsels of slechte prestaties veroorzaken waardoor uw garantie kan vervallen.

⚠ WAARSCHUWING

Het onderhoud vereist extreme voorzichtigheid en deskundigheid en mag enkel door een gekwalificeerde onderhoudstechnicus worden uitgevoerd. Wij raden u aan het toestel voor herstellingen naar uw dichtstbijzijnde erkende onderhoudsdienst terug te brengen. Gebruik voor het onderhoud alleen identieke vervangingsonderdelen.

- Schakel het product uit en trek de stekker uit de contactdoos voor u onderhouds- of reinigingswerken uitvoert.
- U kunt aanpassingen en reparaties maken die hier staan beschreven. Voor andere herstellingen, neemt u contact op met uw geautoriseerd onderhoudsagent.
- Als vervanglijn gebruikt u uitsluitend filamentlijnen uit nylon van de diameter die in de specificatielijst van deze gebruiksaanwijzing is beschreven.
- Nadat u een nieuwe maailijn hebt uitgebracht, brengt u het product altijd terug in de normale bedrijfspositie voor u start.
- Na elk gebruik, reinigt u het product met een zachte, droge doek. Een beschadigd onderdeel moet door een geautoriseerd onderhoudscentrum goed worden gerepareerd of vervangen.

- Controleer regelmatig of alle moeren, bouten en vijzen goed zijn vastgemaakt om zeker te zijn dat het toestel veilig kan worden gebruikt.

RESTRISICO'S

Zelfs wanneer het product zoals voorgeschreven wordt gebruikt, is het nog steeds onmogelijk om bepaalde restrisico's volledig te elimineren. De volgende gevaren kunnen zich voordoen tijdens het gebruik en de gebruiker dient in het bijzonder aandacht te hebben om de volgende situaties te vermijden:

- Letsels veroorzaakt door trillingen. Houd het product uitsluitend vast aan de handvatten en beperk de bedrijfs- en blootstellingstijd.
- Blootstelling aan geluid kan gehoorletsels veroorzaken. Draag gehoorbescherming en beperk de blootstelling.
- Gezichtsletsels door rondvliegend afval. Draag altijd gezichtsbescherming.

RISICOBEPERKING

Trillingen door handbediende producten kunnen in bepaalde gevallen bijdragen tot het Fenomeen van Raynaud. Symptomen kunnen ondermeer tintelingen, gevoelloosheid en bleek worden van de vingers omvatten, wat normaal gezien duidelijk wordt bij blootstelling aan koude. Erfelijke factoren, blootstelling aan koude en vocht, dieet, roken en werkroutine kunnen allemaal bijdragen tot de ontwikkeling van deze symptomen. Er kunnen door de bediener maatregelen worden genomen om de gevolgen van de trillingen te beperken:

- Houd bij koud weer uw lichaam warm. Draag handschoenen terwijl u het product gebruikt om de handen en polsen warm te houden. Men neemt aan dat koud weer een belangrijke factor is die bijdraagt tot het Syndroom van Raynaud.
- Doe oefeningen om de bloeddoorstroming te bevorderen na elke periode van gebruik.
- Neem regelmatig een pauze. Beperk het aantal uren dat u per dag wordt blootgesteld.

Wanneer u enige van de symptomen van deze aandoening ervaart, stop dan onmiddellijk met het gebruik van het toestel en raadpleeg uw dokter

⚠ WAARSCHUWING

Letsels kunnen worden veroorzaakt of ernstiger worden door verlengd gebruik van een werktuig. Als u een werktuig gedurende langere periodes gebruikt, neem dan regelmatig pauze.

KEN UW PRODUCT

Zie pagina 131.

1. Achterste handvat
2. Ontgrendelingsknop
3. Aan-/uit-hendel
4. Voorste handvat
5. Harnas
6. Bovenste schacht
7. Onderste schacht
8. Veiligheidsscherm
9. Afsnijblad
10. Maailijn
11. Buffer
12. Stroomsnoer
13. Snoerhouder
14. Spoeldeksel
15. Spoel
16. Oog

SYMBOLEN OP HET PRODUCT



Lees en begrijp alle instructies voor u het product bedient, volg alle waarschuwingen en veiligheidsinstructies.



Draag gezichtsbescherming



Draag gehoorbescherming



Gebruik geen metalen blad(en) op het product.



Stel niet bloot aan regen of vocht.



Trek de stekker uit de contactdoos onmiddellijk voor onderhoud of als het snoer is beschadigd, doorgesneden of verstrikt.



Houd rekening met weggelingerde of rondvliegende voorwerpen. Houd alle omstanders, in het bijzonder kinderen en huisdieren, op tenminste 15m afstand van het werkgebied.



Houd uw handen van het afsnijblad.



Klasse II-apparaat, dubbele isolatie



Elektrisch afval mag niet samen met ander huishoudafval worden weggegooid. Gelieve te recycleren indien de mogelijkheid bestaat. Neem contact op met uw lokaal bestuur of handelaar om advies te krijgen over recyclage.



Oekraïens conformiteitsymbool



Dit apparaat voldoet aan alle geldende normen van Lid-Staat van de Europese Unie waar het werd gekocht.



EurAsian-symbool van overeenstemming



Het gegarandeerd geluidsniveau bedraagt 96 dB.



Houd rekening met weggelingerde of rondvliegende voorwerpen. Hou omstanders op een veilige afstand van het toestel.



Opmerking



Waarschuwing

De volgende kernwoorden en verklaringen zijn bedoeld om de gevaarniveaus die op dit toestel betrekking hebben, te verklaren.

⚠ GEVAAR

Wijst op een gevaarlijke situatie die, als ze niet wordt voorkomen, dodelijk kan zijn of ernstige verwondingen kan veroorzaken.

⚠ WAARSCHUWING

Wijst op een mogelijks gevaarlijke situatie die, als ze niet wordt voorkomen, dodelijk kan zijn of ernstige verwondingen kan veroorzaken.

⚠ LET OP

Wijst op een mogelijks gevaarlijke situatie die, als ze niet wordt voorkomen, kleine of middelmatige verwondingen kan veroorzaken.

LET OP

Zonder veiligheidswaarschuwingssymbool
Wijst op een situatie die kan leiden tot materiële schade.

- EN
- FR
- DE
- ES
- IT
- NL**
- PT
- DA
- SV
- FI
- NO
- RU
- PL
- CS
- HU
- RO
- LV
- LT
- ET
- HR
- SL
- SK
- BG
- UK
- TR

SYMBOLLEN IN DEZE GEBRUIKSAANWIJZING



Met een contactdoos verbinden



Trek uit de contactdoos



Onderdelen of accessoires afzonderlijk verkocht

Segurança, desempenho e fiabilidade receberam prioridade de topo na concepção de seu aparador de linha.

USO PREVISTO

O produto destina-se apenas a utilização no exterior por um operador em pé, a caminhar com o produto.

Este produto destina-se a cortar relva, ervas e vegetação semelhante a ou perto do nível do chão. O aparelho de corte deve estar quase paralelo à superfície do chão.

O produto não deve ser usado para cortar ou aparar sebes, arbustos ou outra vegetação em que o aparelho de corte não fique paralelo à superfície do chão.

AVISOS GERAIS DE SEGURANÇA

⚠ ADVERTÊNCIA

Ao utilizar o produto, devem seguir-se as normas de segurança. Para a sua própria segurança e a dos que o rodeiam, leia estas instruções antes de utilizar o produto. Guarde as instruções para usá-las no futuro.

⚠ ADVERTÊNCIA

O produto não deve ser utilizado por crianças nem por pessoas com capacidades físicas, mentais ou sensoriais reduzidas. As crianças devem ser mantidas sob vigilância adequada para se garantir que não brincam com o produto.

⚠ ADVERTÊNCIA

Algumas regiões têm normas que limitam o uso do produto. Consulte a sua autoridade local para obter informação.

FORMAÇÃO

- Nunca permita que crianças ou pessoas que não estejam familiarizadas com estas instruções utilizem o produto. A legislação local pode restringir a idade do operador.
- Leia as instruções com atenção. Familiarize-se com todos os controlos e a utilização adequada do aparelho.
- Mantenha os transeuntes, as crianças e

os animais a 15m de distância da zona de operação. Desligue o aparelho se alguém entrar na área.

- Não utilize o produto quando estiver cansado, doente ou sob a influência do álcool, drogas ou medicamentos.
- Mantenha em mente que o operador ou o utilizador é responsável pelos acidentes ou perigos que ocorrem a outras pessoas ou à sua propriedade.

SEGURANÇA ELÉCTRICA

- As ligações devem ser adequadas para a tomada de corrente. Nunca altere a ficha seja de que maneira for. Não use quaisquer fichas adaptadoras com ferramentas de ligação com terra. As fichas não modificadas e tomadas compatíveis reduzirão o risco de choque eléctrico.
- Evite um arranque inesperado. Verifique sempre se o interruptor está na posição OFF (desligado) antes de a ferramenta à corrente eléctrica. Não transporte uma ferramenta ligada com o dedo no interruptor.
- Evite o contacto do corpo com superfícies com ligação terra ou enterradas, tais como tubos, radiadores, fogões e frigoríficos. Há um aumento do risco de choque eléctrico se o seu corpo estiver ligado à terra.
- Não utilize o produto quando existe risco de relâmpagos.
- Não exponha este produto à chuva ou humidade elevada. Se entrar água no aparelho, isto aumentará o risco de descargas eléctricas.
- O fornecimento eléctrico deveria efectuar-se através de um dispositivo de corrente residual (RDC) com uma corrente activa não superior a 30 mA.
- Antes de cada uso, examine o cabo para ver se está danificado. Se houver sinais de danos, deve ser substituído por um técnico de serviço autorizado. Desenrole sempre o cable durante o uso, os cabos enrolados podem sobreaquecer.
- Caso precise utilizar uma extensão, assegure-se que esta é adequada para uso no exterior e que tem uma capacidade de corrente suficiente para alimentar o aparelho. O cabo de prolongamento deverá levar a marca "H05 RN-F" ou "H05VV-F". Antes de cada uso verifique que não há danos. Mantenha sempre o cabo de



prolongamento desenrolado enquanto o utiliza porque os cabos enrolados podem sobreaquecer. Os alargadores não devem ser reparados, devem ser substituídos por outros que sejam equivalentes.

- Não utilizar o produto se os cabos eléctricos estiverem danificados ou desgastados. Antes de cada uso, examine o cabo para ver se está danificado. Mantenha sempre o cabo de prolongamento desenrolado enquanto o utiliza porque os cabos enrolados podem sobreaquecer.
- Se o cabo de alimentação ou o cabo de extensão se danificarem durante o uso, desligar imediatamente do fornecimento eléctrico. Não tocar nos cabos eléctricos até se ter desligado o fornecimento eléctrico.
- Assegure-se de que o cabo de alimentação está situado de tal maneira que não pôde ser danificado ou cortado e que não se pisará, estorvará nem estará submetido a danos ou incómodos.
- Não pegue nem leve o produto pelo cabo eléctrico.
- Não pegue no cabo de alimentação para desligá-lo do fornecimento eléctrico.
- Mantenha o cabo afastado do calor, óleo e pontas afiadas.
- Assegure-se de que a voltagem é adequada para o seu produto. Uma placa de identificação no produto indica a voltagem do produto. Não ligue o produto a uma voltagem de CA que não corresponda à sua voltagem.
- Assegure-se de que o interruptor está em posição Desligado antes de desligar do fornecimento eléctrico.

PREPARAÇÃO

- Use óculos de protecção total para os olhos e ouvidos ao utilizar este produto. Ao trabalhar numa área onde haja um risco de queda de objectos, tome que se usar uma protecção para a cabeça.
- Os protetores para os ouvidos podem limitar a capacidade dos operadores para ouvir sons de alerta. Preste especial atenção aos perigos potenciais à volta e dentro da zona de trabalho.
- Use luvas, botas e calças resistentes. Não utilize roupa larga, calções, joias nem utilize com os pés descalços.

- Prenda o cabelo comprido para que fique acima do nível dos ombros para evitar que fique emaranhado em peças móveis.
- Antes do seu uso e após qualquer impacto, comprove que não há peças danificadas. Os interruptores defeituosos ou gastas ou qualquer outra peça danificada devem ser substituídos ou reparados adequadamente por um estabelecimento de serviço autorizado.
- Assegure-se de que o acessório de corte está correctamente instalado e ajustado.
- Nunca opere com o produto a menos que todas as proteções, deflectores e cabos estejam unidos de forma correta e segura.
- Tenha em consideração o ambiente em que está a trabalhar. Mantenha a zona de trabalho livre de cabos, paus, pedras e sujidade que, se forem atingidos pela lâmina, podem converter-se em objetos lançados.

ALERTAS DE SEGURANÇA DO PODADOR

- Nunca permita que crianças ou pessoas que não estejam familiarizadas com estas instruções utilizem o produto.
- Utilize o produto à luz do dia ou com uma luz artificial eficaz.
- Evite o uso em erva molhada.
- Não ande para enquanto usa este produto.
- Mantenha-se bem apoiado e equilibrado. Não se aproxime em demasia. Tentar esticar-se demais pode provocar a perda de equilíbrio. Assegure-se sempre de que está numa posição firme e segura quando se encontre numa costa e desloque-se a caminhar, nunca a correr.
- Mantenha os transeuntes, as crianças e os animais a 15 m de distância da zona de operação. Desligue o aparelho se alguém entrar na área.
- Mantenha o acessório de corte abaixo do nível da cintura.
- Não utilize o produto com as tampas danificadas ou sem tê-las colocado.
- Nunca encaixe uma linha de substituição de metal.
- Mantenha sempre as mãos e os pés afastados dos meios de corte, especialmente quando ligar o motor.
- Cuidado, os elementos de corte continuam



a funcionar após o motor ser desligado.

- Tenha cuidado com os objectos lançados pelo meio de corte. Limpe a sujidade como pequenas pedras, gravilha e outros objetos estranhos da zona de trabalho antes de começar a operar. Os cabos ou fio podem ficar emaranhados com as peças de corte.
- Desactivar e desligar do fornecimento eléctrico antes de:
 - manutenção
 - deixar o produto sem vigilância
 - limpeza do seu produto e desobstrução de bloqueio.
 - mudar acessórios
 - comprovar se há danos depois de bater num objecto
 - comprovar se há danos caso o produto comece a vibrar de um modo anormal
 - realizar operações de manutenção
- A pequena lâmina encaixada no protetor do relvado foi dissecada para cortar a nova linha ampliada ao comprimento correto a fim de obter um rendimento seguro e ótimo. É muito afiada, não toque nela, especialmente quando limpar a ferramenta.
- Assegure-se sempre que as aberturas de ventilação se mantêm desobstruídas de detritos.
- Assegure-se de que o acessório de corte está correctamente instalado e ajustado.
- Assegure-se de que todas as protecções, deflectores e cabos estão unidos de forma correcta e segura.
- Não modifique, de forma nenhuma, o produto, porque pode aumentar o risco de lesionar-se ou os demais.
- Use somente linhas de corte de substituição do fabricante. Não utilize nenhum tipo de peça cortante.
- Desligue imediatamente e desconecte da tomada uma vez em caso de acidente ou avaria. Não opere o produto novamente até que ele é inteiramente verificado pelo centro de serviço autorizado.

TRANSPORTE E ARMAZENAMENTO

- Pare o produto e deixe arrefecer antes de guardá-la ou transportá-la.
- Limpe todos os materiais estranhos do produto. Guarde-o num local fresco e seco e bem ventilado a que as crianças não consigam aceder. Mantenha-o afastado de

substâncias corrosivas, tais como produtos químicos utilizados em jardinagem e sais de descongelação. Não armazenar ao ar livre.

- Para o seu armazenamento, desligar sempre do fornecimento eléctrico e enrolar o cabo.
- Para transportar, prenda o aparelho de modo a evitar que este se mova ou caia, para evitar lesões ou danos no produto.

MANUTENÇÃO

⚠ ADVERTÊNCIA

Utilize apenas peças de substituição, acessórios e encaixes do fabricante original. A inobservância desta indicação pode causar um fraco desempenho, possíveis lesões e poderá anular a sua garantia.

⚠ ADVERTÊNCIA

Os serviços de manutenção requerem extremo cuidado e conhecimentos e devem apenas ser realizado por um técnico de assistência qualificado. Para assistência, sugerimos que devolva o produto ao seu centro de assistência autorizado mais próximo para reparação. Ao realizar serviços de manutenção, use apenas peças de substituição idênticas.

- Desligue e desconecte o aparelho da tomada antes de realizar qualquer operação de manutenção ou de limpeza.
- Pode fazer os ajustes e as reparações aqui descritos. Para outro tipo de reparações entre em contacto com um agente de serviço autorizado.
- Ao substituir a linha use sempre linha com filamento de nylon com o diâmetro descrito na tabela de especificações neste manual.
- Após ter estendido a nova linha do aparador, volte sempre a colocar o produto na sua posição normal de operação antes de o ligar.
- Limpar o produto com um pano suave seco depois de cada uso. Qualquer peça danificada deve ser substituída ou reparada adequadamente por um centro de serviço autorizado.
- Verifique todas as porcas, pregos e parafusos com intervalos frequentes

para confirmar a tensão apropriada e se certificar que o equipamento está em condições seguras de funcionamento.

RISCOS RESIDUAIS

Mesmo quando se utiliza o produto segundo as instruções, continua a ser impossível eliminar por completo certos fatores de risco residuais. Os seguintes perigos podem surgir na utilização e o operador deve prestar especial atenção para evitar o seguinte:

- Lesões por vibração. Segure o produto pelos cabos destinados para o efeito e limite o tempo de funcionamento e de exposição.
- A exposição ao ruído pode provocar perda de audição. Use proteção para os ouvidos e limite o tempo de exposição.
- Lesões oculares provocadas por detritos projetados. Use sempre proteção para os olhos.

REDUÇÃO DO RISCO

Foi reportado que as vibrações que derivam de produtos que se seguram com as mãos podem contribuir para uma doença designada Síndrome de Raynaud em determinados indivíduos. Os sintomas podem incluir formigamento, entorpecimento e empalidecimento dos dedos, habitualmente visível aquando da exposição ao frio. Estima-se que os factores hereditários, exposição ao frio e humidade, dieta, tabagismo e práticas de trabalho contribuem todos para o desenvolvimento destes sintomas. Existem medidas que podem ser tomadas pelo operador para possivelmente reduzir os efeitos da vibração:

- Mantenha o seu corpo quente durante o tempo frio. Ao operar o produto, use luvas para manter as mãos e os pulsos quentes. Encontra-se reportado que o tempo frio é um grande factor que contribui para o Síndrome de Raynaud.
- Após cada período de operação, exercite para aumentar a circulação sanguínea.
- Faça pausas frequentes no trabalho. Limite o tempo de exposição por dia.

Caso sinta algum dos sintomas desta doença, interrompa de imediato a sua utilização e consulte o seu médico sobre estes sintomas.

⚠ ADVERTÊNCIA

O uso prolongado de uma ferramenta pode causar o agravar lesões. Ao usar qualquer ferramenta durante períodos prolongados, assegure-se que faz intervalos regulares.

CONHEÇA O SEU APARELHO

Ver a página 131.

1. Pega traseira
2. Botão de desbloqueio
3. Gatilho
4. Pega frontal
5. Arnês
6. Eixo superior
7. Eixo inferior
8. Guarda de protecção
9. Lâmina de corte
10. Linha de corte
11. Cabeça da Bobina
12. Cabo de alimentação
13. Fixador de cabo
14. Cobertura da bobina
15. Bobina
16. Ilhó

SÍMBOLOS NO PRODUTO



Leia e compreenda todas as instruções antes de manipular o produto, respeite os alertas e as instruções de segurança.



Usar protecção para os olhos



Use protecção para os ouvidos.



Não utilize lâmina(s) de metal no produto.



Não o exponha à chuva ou a condições de humidade.



Retire a ficha da corrente de imediato antes da manutenção ou caso o cabo esteja danificado, cortado ou enredado.



Tenha cuidado com os objectos voláteis ou lançados. Mantenha todos os espectadores, especialmente crianças e animais de estimação, a pelo menos 15m da área de funcionamento.



Mantenha as mãos afastadas da lâmina de corte.



Ferramenta de tipo II, duplo isolamento



Os aparelhos eléctricos antigos não devem ser eliminados juntamente com o lixo doméstico. Recicle onde existem instalações para o efeito. Verifique com as suas Autoridades Locais ou revendedor para obter informações sobre reciclagem.



Marca de conformidade ucraniana



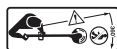
Esta ferramenta obedece a todas as normas regulamentares do país da UE onde foi comprada.



Marca de conformidade EurAsian



O nível de potência sonora garantido é de 96 dB.



Tenha cuidado com os objectos voláteis ou lançados. Mantenha os espectadores a uma distância segura da máquina.



Nota



Aviso

As seguintes palavras de sinal e significados destinam-se a explicar os níveis de risco associados a este produto.

⚠ PERIGO

Indica uma situação perigosa iminente, que, se não evitada, poderá resultar em morte ou ferimentos graves.

⚠ ADVERTÊNCIA

Indica uma situação potencialmente perigosa, que, se não evitada, poderá conduzir à morte ou graves lesões.

⚠ ADVERTÊNCIA

Indica uma situação potencialmente perigosa, que, se não evitada, poderá resultar em pequenas ou moderadas lesões.

ADVERTÊNCIA

Sem símbolo de alerta de segurança
Indica uma situação que pode resultar em danos de propriedade.

SÍMBOLOS NESTE MANUAL



Ligar à tomada de corrente



Desligar da tomada de corrente



As peças ou acessórios vendem-se separadamente

Sikkerhed, ydelse og driftssikkerhed har fået toprioritet i designet af din elektriske trådtrimmer.

TILTÆNKET ANVENDELSESFORMÅL

Dette produkt er kun beregnet til brug udendørs af en operatør, som går med produktet.

Produktet er beregnet til klipning af græs, lettere ukrudt og anden lignende vegetation i eller ved jordniveau.

Produktet bør ikke bruges til klipning eller trimning af hække, buske eller anden vegetation, hvor klippeplanet ikke er parallelt med jordoverfladen.

GENERELLE SIKKERHEDSADVARSLER

⚠ ADVARSEL

Når produktet anvendes, skal sikkerhedsreglerne efterleves. Af hensyn til egen og andres sikkerhed skal man læse denne brugsanvisning, inden produktet anvendes. Disse sikkerhedsregler skal opbevares med henblik på senere brug.

⚠ ADVARSEL

Produktet er ikke beregnet til at blive benyttet af børn eller personer med nedsatte fysiske, mentale eller sensoriske evner. Børn bør holdes under tilstrækkeligt opsyn, så man er sikker på, at de ikke leger med produktet.

⚠ ADVARSEL

Nogle områder har regler, som begrænser brugen af produktet. Forhør dig hos de lokale myndigheder.

UDDANNELSE

- Lad aldrig børn eller personer uden kendskab til denne brugsanvisning bruge produktet. Lokale love kan have indflydelse på den tilladte brugerage.
- Læs brugsanvisningen omhyggeligt. Sørg for at blive fortrolig med betjeningselementerne samt korrekt brug af produktet.
- Tilskuere, børn og kæledyr skal have en sikkerhedsafstand på mindst 15m til arbejdsområdet. Stop produktet, hvis uvedkommende kommer ind i området.

- Du må aldrig bruge produktet, når du er træt, syg eller under påvirkning af alkohol, narkotika eller medicin.
- Husk det er brugeren selv der er ansvarlig for ulykker eller farer andre folk bliver udsat for.

ELEKTRISK SIKKERHED

- Elværktøjets elstik skal passe til stikkontakten. Elstikket må aldrig modificeres på nogen som helst måde. Undlad brug af adapterstik til jordede (stelforbundne) elværktøjer. Umodificerede elstik og passende elnetkontakter reducerer faren for elektrisk stød.
- Undgå utilsigtet start af enheden. Kontrollér altid, at kontakten er i pos. Off (=slukket), inden værktøjet sluttes til strømforsyningen. Flyt ikke enheden med fingeren på startknappen mens den er tilsluttet strøm.
- Undgå kropskontakt med jordede eller stelforbundne overflader som fx rør, radiatorer, komfurer og køleskabe. Der er forøget risiko for elektrisk stød, hvis din krop er forbundet med jord eller stel.
- Produktet må ikke benyttes, hvis der er fare for tordenvejr.
- Dette produkt må ikke udsættes for regn eller fugt. Hvis der trænger vand ind i et produkt, øges faren for elektrisk stød.
- Strømmenskaltilføres via et fejlstrømsmodul (RCD) med en udløsestrøm på max 30 mA.
- Inden hver brug skal man kontrollere elkablet for evt. beskadigelser. Hvis det opviser tegn på skade, skal det udskiftes af en autoriseret servicetekniker. Elkablet skal altid ruller helt ud under brug; oprullede kabler kan blive overophedet.
- Hvis man skal bruge en forlængerledning, skal man sikre sig, at den er velegnet til udendørs brug og har en mærkekapacitet, der er tilstrækkelig til at forsyne produktet. Forlængerledningen skal være mærket med enten "H05 RN-F" eller "H05VV-F". Skal kontrolleres for skader inden hver brug. Forlængerledningen skal altid ruller helt ud under brug; oprullede ledninger kan blive overophedet. Beskadigede forlængerkabler må ikke repareres, men skal udskiftes med en tilsvarende type.
- Produktet må ikke anvendes, hvis de elektriske kabler er beskadiget eller slidte. Inden hver brug skal man kontrollere

elkablet for evt. beskadigelser. Elkablet skal altid rulles helt ud under brug; oprullede kabler kan blive overophedet.

- Hvis strømforsyningskabler eller forlængerkablet bliver beskadiget under brug, skal strømforsyningen afbrydes øjeblikkeligt. Undgå at røre ved elektriske kabler, før strømforsyningen er blevet afbrudt.
- Kontrollér, at strømforsyningskablet er positioneret, så det ikke kan blive beskadiget af skærende genstande, så ingen træder på det eller falder over det, eller så det ikke på anden måde udsættes for skade eller belastning.
- Produktet må aldrig løftes eller bæres i strømforsyningskablet.
- Træk aldrig i selve kablet, når stikket skal trækkes ud af kontakten.
- Hold ledningen på afstand af varme, olie og skarpe kanter.
- Kontrollér, at spændingen passer til produktet. En navneplade på produktet indikerer enhedens spænding. Produktet må aldrig sluttes en til vekselstrømsspænding, der afviger fra denne spænding.
- Kontrollér, at kontakten er i pos. Off (=slukket), inden stikket trækkes ud af stikkontakten.

FORBEREDELSE

- Benyt fuldt øjen- og høreværn under arbejde med dette produkt. Hvis der arbejdes i et område med fare for nedfaldende genstande, skal der bæres hovedværn.
- Høreværn kan begrænse brugerens evne til at høre advarselslyde; vær derfor særligt opmærksom på potentielle risici omkring og i arbejdsområdet.
- Bær kraftige, lange bukser, støvler og handsker. Undlad at bære løstsiddende tøj, korte bukser, smykker af enhver art eller gå barfodet.
- Langt hår skal bindes op over skulderniveau, så det ikke risikerer at vikles ind i bevægelige dele.
- Inden ibrugtagning og efter enhver ydre påvirkning skal man kontrollere, at der ikke findes beskadigede dele. En defekt kontakt eller en del, som er blevet beskadiget eller slidt, skal repareres ordentligt eller udskiftes på et autoriseret serviceværksted.

- Kontrollér, at klippeudstyret er monteret korrekt og ordentligt fastgjort.
- Produktet må aldrig benyttes, før alle skærme, deflektorer og håndtag er fastgjort ordentligt og sikkert.
- Overvej grundigt hvilken type arbejdsmiljø du befinder dig i. Hold arbejdsområdet ryddet for ledninger, pinde, sten og affald, som ved kontakt med klipperen kan blive til udslyngede genstande.

SIKKERHEDSADVARSLER VEDR. GRÆSTRIMMER

- Lad aldrig børn eller personer uden kendskab til brugsanvisningen bruge produktet.
- Anvend produktet i dagslys eller godt kunstigt lys.
- Undgå brug på vådt græs.
- Undgå at gå baglæns under brug af produktet.
- Hold et godt fodfæste og balance. Overstræk ikke. Overstrækning kan føre til tab af balancen. Sørg altid for at have godt fodfæste på hældninger; der må kun gås, aldrig løbes.
- Tilskuere, børn og kæledyr skal have en sikkerhedsafstand på mindst 15 m til arbejdsområdet. Stop produktet, hvis uvedkommende kommer ind i området.
- Hold klippehovedet under hofteniveau.
- Brug aldrig produktet med beskadigede skærme eller uden påmonterede skærme.
- Anvend aldrig en metalsnor i enheden.
- Hold altid hænder og fødder væk fra skæredelene, dette især når motoren tændes.
- Vær opmærksom på, at de skærende dele fortsætter med at rotere, efter at motoren er slukket.
- Pas på bortslyngede objekter fra klippeudstyr. Fjern affald som små sten, ral og andre fremmedlegemer fra arbejdsområdet, inden arbejdets start. Ledninger og snore kan blive viklet ind i klippeudstyret.
- Produktet skal slukkes og afbrydes fra strømforsyningen inden:
 - servicering
 - at efterlade produktet uden opsyn
 - rengøring af produktet eller eliminering af en blokering.



- Udskiftning af tilbehør
- kontrol for evt. skader efter kollision med et objekt
- kontrol for evt. skader, hvis produktet begynder at vibrere unormalt
- udførelse af vedligeholdelsesarbejde
- De små klinger på plæneklipperens skærm er designet til at trimme den nye forlængede tråd til korrekt længde for sikker og optimal ydelse. Den er meget skarp; undgå at røre ved den, især under rengøring af værktøjet.
- Sørg altid for, at ventilationsåbningerne er fri for affald.
- Kontrollér, at klippeudstyret er monteret korrekt og ordentligt fastgjort.
- Kontrollér, at alle skærme, og håndtag er fastgjort ordentligt og sikkert.
- Undgå at ændre ved produktet på nogen måde; dette kan øge risikoen for at skade sig selv eller andre.
- Brug kun udskiftningstråd fra producenten. Der må ikke bruges andet skærende udstyr.
- Umiddelbart slukke og frakoble fra lysnettet gang i tilfælde af ulykke eller uheld. Brug ikke produktet igen, indtil det er fuldt kontrolleret af autoriseret servicecenter.

TRANSPORT OG OPBEVARING

- Stop produktet, og lad det køle af, inden den opbevares eller transporteres.
- Afrens alle fremmedlegemer fra produktet. Opbevar den på et køligt, tørt og godt ventileret sted utilgængeligt for børn. Opbevar motorsaven på afstand af ætsende midler som f.eks. havekemikalier og optøningsalt. Må ikke opbevares udendørs.
- Opbevaring skal altid ske med afbrudt strømforsyning op oprullet kabel.
- Til transport skal man sikre produktet, så den ikke kan bevæge sig eller vælte; dette for at forebygge personskader eller skader på produktet.

VEDLIGEHOJDELSE

⚠ ADVARSEL

Brug kun originale reservedele, ekstraudstyr og tilbehør fra producenten. I modsat fald er der fare for personskader, dårlig maskinydelse og annullering af garantien.

⚠ ADVARSEL

Vedligeholdelse kræver stor omhyggelighed og viden og kun bør udføres af en kvalificeret tekniker. Vi anbefaler du leverer enheden tilbage til dit nærmeste autoriserede service center til reparation. Skal dele udskiftes må kun identiske reservedele anvendes.

- Sluk produktet, og tag stikket ud af kontakten, inden påbegyndelse af vedligeholdelses- eller rengøringsarbejde.
- Du kan selv foretage de justeringer og reparationer, som beskrives nedenstående. Til andre reparationsopgaver skal man kontakte den autoriserede servicemontør.
- Tråden må kun udskiftes med en nylonfilamenttråd med den diameter, der er beskrevet i specifikationstabellen i denne brugsanvisning.
- Når man har monteret en ny tråd, skal produktet altid stilles tilbage i normal arbejdsposition, inden den startes.
- Produktet skal rengøres med en blød klud efter hver brug. Enhver del, som bliver beskadiget, skal repareres ordentligt eller udskiftes på et autoriseret servicecenter.
- Tjek ofte alle møtrikker, bolte og skruer om de sidder godt fast og sørg for at græsslåmaskinen fungerer ordentligt.

UUNDGÅELIGE RISICI

Selv om produktet anvendes som foreskrevet, er det stadig umuligt at eliminere visse uundgåelige risikofaktorer fuldstændigt. Følgende risici kan opstå under brug, og operatøren bør være særligt opmærksom for at undgå følgende:

- Personskader forårsaget af vibration. Hold produktet i de hertil indrettede håndtag, og begræns arbejdstiden og eksponeringen.
- Eksponering for støj kan medføre høreskader. Benyt høreværn, og begræns



eksponering.

- Øjenskader pga. flyvende affaldsstykker. Der skal altid benyttes øjenværn.

RISIKOREDUKTION

Der er rapporteret om, at vibrationer fra håndholdte produkter kan være medvirkende til en lidelse kaldet Raynauds syndrom hos visse personer. Symptomerne herpå kan være prikken, følelseløshed og blegning af fingrene, der normalt viser sig ved kuldepåvirkning. Faktorer som arvelighed, udsættelse for kulde og fugt, kost, rygning og arbejdsvaner menes alle at medvirke til udviklingen af disse symptomer. Der findes forholdsregler, som operatøren kan træffe for at begrænse påvirkningen fra vibrationer:

- Hold kroppen varm i koldt vejr. Brug handsker, så hænder og vriste holdes varme under arbejdet. Der er rapporteret om, at koldt vejr er en væsentlig faktor til Raynauds syndrom.
- Motionér efter hver arbejdsperiode for at øge blodcirkulationen.
- Hold hyppige arbejdspauser. Begræns eksponeringen for vibrationer pr. dag.

Hvis du mærker nogen af symptomerne på denne tilstand, skal du straks ophøre med arbejdet og søge læge.

⚠ ADVARSEL

Længere tids brug af et værktøj kan forårsage - eller forværre - personskader. Når man bruger et værktøj i længere perioder ad gangen, skal man huske at holde hyppige pauser.

KEND PRODUKTET

Se side 131.

1. Baghåndtag
2. Lås ud-knap
3. Udløser
4. Forhåndtag
5. Sele
6. Overskaft
7. Nederste skaft
8. Sikkerhedsskærm
9. Afklipningsklinge
10. Klippetråd
11. Trådudløser
12. Elledning
13. Ledningsholder

14. Spoleskærm

15. Spole

16. Øje

SYMBOLER PÅ PRODUKTET



Alle vejledninger skal læses og forstås, inden produktet benyttes; følg alle advarsler og sikkerhedsinstruktioner.



Benyt øjenværn



Benyt høreværn.



Undgå brug af metalklinge(r) på produktet.



Må ikke udsættes for regn eller bruges på fugtige steder.



Træk omgående stikket ud af lysnetkontakten, hvis kablet beskadiges, skæres over eller sammenfiltes.



Pas på udslyngede eller flyvende objekter. Sørg for, at tilskuere (især børn og dyr) er mindst 15m fra arbejdsområdet.



Hold hænderne på afstand af afkortningskniven.



Klasse II-værktøj, dobbelt-isoleret



Elektriske affaldsprodukter bør ikke afskaffes sammen med husholdningsaffald. Genbrug venligst hvor faciliteterne tillader dette. Tjek med din lokale kommune eller forhandler for genbrugsråd.



Ukrainsk overensstemmelsesmærke



Dette redskab overholder alle lovkrav og standarder i det EU-land, hvor det er købt.



EurAsian
overensstemmelsesmærke



Det garanterede
lydeffektniveau er 96 dB(A).



Pas på udslyngede eller
flyvende objekter.
Hold tilskuere i sikker afstand
fra enheden.

SYMBOLER I DENNE BRUGSANVISNING



Tilslut til stikkontakt



Træk stikket ud af stikkontakten



Dele eller tilbehør, der sælges
separat



Bemærk



Advarsel

De følgende ikoner og betydninger er beregnet til at forklare risikoen involveret i at anvende denne enhed.

FARE

Indikerer en meget farlig situation, som hvis ikke undgås, kan føre til alvorlige skader og i værste fald døden.

ADVARSEL

Indikerer en potentielt farlig situation, som hvis ikke undgås, kan føre til alvorlige skader og i værste fald døden.

PAS PÅ

Indikerer en potentielt farlig situation, som hvis ikke undgås, kan føre til mindre eller moderate skader.

PAS PÅ

Uden sikkerhedsadvarselssymbol

Indikerer en situation, som kan medføre materiel skade.

Säkerhet, prestanda och pålitlighet har varit högsta prioritet vid design av din elektriska trädtrimmer.

ANVÄNDNINGSSOMRÅDE

Produkten är enbart avsedd för utomhusbruk av användare som går med produkten.

Produkten är avsedd för att klippa gräs, lätt buskage och liknande växtlighet på eller vid marknivå. Klipplanet bör vara parallellt med marken.

Produkten ska inte användas för att kapa eller trimma häckar, buskar eller annan vegetation där skärplanet inte är parallellt med marknivån.

ALLMÄNNA SÄKERHETSFÖRESKRIFTER

⚠ VARNING

När man använder apparaten måste säkerhetsföreskrifterna följas För din egen, och andra närvarandes säkerhet, läs alltid dessa instruktioner innan du använder produkten Förvara instruktionerna på säker plats.

⚠ VARNING

Produkten är inte avsedd för användning av barn eller personer med fysiska, mentala eller emotionella funktionshinder. Barn ska alltid övervakas så att de inte leker med produkten.

⚠ VARNING

I vissa regioner finns regleringar som begränsar användning av produkten. Ta kontakt med lokala myndigheter för information.

UTBILDNING

- Låt aldrig barn eller personer som inte känner till dessa instruktioner använda maskinen. Lokala regler kan åldersbegränsa användningen av gräsklipparen.
- Läs igenom instruktionerna noga. Bekanta dig med reglagen och rätt användning av produkten.
- Håll åskådare, barn och husdjur på minst 15 meters avstånd. Stoppa produkten om

någon kommer i närheten.

- Använd aldrig produkten om du är trött, sjuk eller påverkad av alkohol, droger eller medicin.
- Kom ihåg att användaren är ansvarig för olyckor och faror som uppstår för andra människor och deras egendom.

ELEKTRISK SÄKERHET

- Elverktygets kontakt måste passa i uttaget. Modifiera inte kontakten på något sätt. Använd inga adapterkontakter med jordade kraftverktyg. Omodifierade kontakter och matchande uttag minskar risken för elektrisk stöt.
- Undvik oavsiktlig start. Kontrollera alltid att omkopplaren står i OFF-läge innan redskapet kopplas in i väggkontakten. Bär inte ett inkopplat verktyg med dina fingrar på strömbrytaren.
- Undvik kroppskontakt med jordade ytor, som exempelvis rör, element, spis och kylskåp. Det föreligger en förhöjd risk för elektrisk stöt om din kropp är jordad.
- Använd inte produkten om det finns risk för åskväder.
- Exponera inte produkten för regn eller våta förhållanden. Om vatten kommer in i maskinen ökar risken för elektrisk stöt.
- El bör komma ifrån en apparat med residual krets (RCD) med en utlösande strömstyrka ej överstigande 30 mA.
- Kontrollera alltid elkabeln före användning. Om den visar tecken på skada, måste den bytas ut av en kvalificerad servicetekniker. Rulla ut kabeln före användning, hoprullad kabel kan överhettas.
- Om du måste använda förlängningskabel ska du kontrollera att den är för utomhusbruk och har tillräcklig kapacitet för att fungera med verktyget. Förlängningskabeln ska vara märkt med antingen "H05 RN-F" eller "H05VV-F". Kontrollera så det inte finns några skador inför varje användning. Rulla ut förlängningskabeln under användning eftersom hoprullad kabel kan överhettas. Skadade förlängningskablar får inte repareras, de ska ersättas med motsvarande typ.
- Använd inte produkten om kablarna är skadade eller slitna. Kontrollera alltid elkabeln före användning. Se till att kabeln hålls borta från värme, olja och vassa föremål.



- Om el-kabeln eller försägningsladdan skadas när den används, måste man genast koppla ur väggurtaget. Rör inte vid el-kablarna förrän väggkontakten är urkopplad
- Se till att kabeln är placerad så att den inte kan skadas under arbetet och att ingen kliver på den, ingen snubblar på den och kabeln inte på något sätt utsätts för påfrestningar.
- Lyft aldrig upp- eller bär produkten i el-kabeln.
- Dra aldrig ur kontakten ur väggen genom att dra i sladden. .
- Se till att kabeln hålls borta från värme, olja och vassa föremål.
- Kontrollera att spänningen är korrekt för produkten. På en skylt på produkten anges strömstyrkan (volt). Koppla aldrig produkten till en växelströmsstyrka som skiljer från denna.
- Kontrollera att omkopplaren står i OFF-läge innan den kopplas ur från väggurtaget.

FÖRBEREDELSE

- Använd alltid ögon- och hörselskydd vid användning av produkten. Skyddshjälm ska användas på platser där det finns risk för fallande föremål.
- Hörselskydd kan begränsa användarens möjlighet att höra varningsljud, var extra noga med potentiella faror kring och inom arbetsområdet.
- Bär grova, långa byxor, stövlar och handskar. Bär inte löst sittande kläder, korta byxor eller smycken. Ha skor på fötterna.
- Sätt upp hår som är längre än till axlarna så att det inte trasslas in i rörliga delar.
- Kontrollera före användning och efter påverkan att det inte finns några skadade delar. Ett defekt reglage eller någon del som är skadad eller sliten ska repareras eller ersättas av godkänt servicecenter.
- Se till att skärtillbehöret är korrekt installerat och ordentligt fäst.
- Använd inte maskinen om inte alla skydd, avvisare och handtag är korrekt och ordentligt monterade.
- Tänk på vilken omgivning du arbetar i. Håll arbetsområdet fritt från vajrar, pinnar, stenar och skräp som kan träffas och flyga iväg.

SÄKERHETSFÖRESKRIFTER FÖR TRÄDTRIMMER

- Låt aldrig barn eller personer som inte har läst dessa anvisningar använda produkten.
- Använd produkten i dagsljus eller bra konstgjort ljus.
- Undvik användning på vått gräs.
- Gå inte baklänges när produkten används.
- Bibehåll ett bra fotfäste och bra balans. Sträck dig inte. Att sträcka sig kan resultera i balansförlust. Var alltid noga med fotfästet i backar och stigar, spring inte.
- Håll åskådare, barn och husdjur på minst 15 meters avstånd. Stoppa produkten om någon kommer i närheten.
- Håll skärtillbehöret lägre än midjehöjd.
- Använd aldrig produkten med skadade skydd eller utan skydd.
- Montera aldrig en utbyteslina av metall.
- Håll alltid händer och fötter borta från trimmerdelarna, speciellt under motorstart.
- Var försiktig, skärdelarna fortsätter snurra efter att motorn stängts av.
- Se upp för föremål som kastas i väg av skäranordningen. Rensa bort skräp som småstenar, grus och andra främmande föremål från arbetsområdet innan arbetet påbörjas. Vajrar eller tråd kan trasslas in i skärverket.
- Stäng av och koppla ur väggkontakten innan:
 - service
 - att lämna produkten utan tillsyn
 - rengöring eller rensning av ett stopp
 - byte av tillbehör
 - efter att ha slagit i något skall man kontrollera ev. skador
 - kontrollera ev. skador om produkten börjar vibrera onormalt
 - Underhåll
- Det lilla bladet som sitter på skärskyddet är för att klippa av trimmertråd till korrekt längd för säker användning och bra resultat. Bladet är mycket vasst, undvik beröring, speciellt vid rengöring.
- Säkerställ alltid att ventilationshålen är öppna och fria från smuts.
- Se till att skärtillbehöret är korrekt installerat och ordentligt fäst.
- Se till att alla skydd, avvisare och handtag sitter fast ordentligt

EN
FR
DE
ES
IT
NL
PT
DA
SV
FI
NO
RU
PL
CS
HU
RO
LV
LT
ET
HR
SL
SK
BG
UK
TR



- Modifiera inte produkten på något sätt, det kan öka risken för skador på dig själv eller andra.
- Använd enbart ersättningsråd från tillverkaren. Använd inga andra skärtillbehör.
- Omedelbart stänga av och koppla bort från nätet en gång i händelse av olycka eller haveri. Använd inte produkten förrän den är helt kontrolleras av auktoriserad serviceverkstad.

TRANSPORT OCH FÖRVARING

- Stoppa produkten och låt den svalna före transport eller förvaring.
- Ta bort allt främmande material från produkten. Förvara den svalt och välventilerat på en plats där barn inte kan komma åt den. Förvara på avstånd från frätande medel, t.ex. trädgårdskemikalier och vägsalt. Förvara den inte utomhus.
- Vid förvaring skall den alltid vara urkopplad från väggurtaget och kabeln upprullad
- Vid transport ska produkten säkras mot rörelser eller fallande för att förhindra personskador eller att produkten skadas.

UNDERHÅLL

⚠ VARNING

Använd enbart ersättningsdelar och tillbehör från tillverkaren. Om inte kan det eventuellt orsaka skador, sämre resultat och kan upphäva garantin.

⚠ VARNING

Att serva produkten kräver extrem försiktighet och kunskap och bör endast utföras av en kvalificerad servicetekniker. Vi rekommenderar att du returnerar produkten till ditt närmsta auktoriserade servicecenter för reparation. Använd endast identiska utbytesdelar när produkten servas.

- Stäng av och koppla från ström före underhåll eller rengöring.
- Du kan göra de justeringar och reparationer som beskrivs här. För alla andra reparationer ska godkänt servicecenter kontaktas.
- Använd enbart den specificerade nylontråden (finns i specifikationstabell i

denna manual) vid utbyte.

- När ny skärtråd är ute ska maskinen tillbaka i normalt arbetsläge innan den startas.
- Efter rengöring ska maskinen alltid rengöras med en mjuk torr trasa. Skadade delar skall repareras ordentligt eller bytas ut av en auktoriserad servicefirma.
- För att vara säker på att maskinen är säker att använda, kontrollera alla muttrar, bultar och skruvar regelbundet för att säkerställa att de är åtdragna ordentligt.

KVARSTÅENDE RISKER

Även om produkten används enligt instruktionerna går det inte att eliminera alla eventuella riskfaktorer. Följande risker kan uppkomma under bruk och användaren ska vara extra uppmärksam för att undvika följande:

- Skada orsakad av vibration. Håll produkten i de avsedda handtagen och begränsa arbetstid och exponering.
- Exponering för buller kan orsaka hörselskador. Använd hörselskydd och begränsa exponeringen.
- Ögonskador på grund av kringkastade föremål. Använd alltid lämpligt ögonskydd.

RISKMINSKNING

Det finns rapporter om att vibrationer från handhållna produkter kan bidra till ett tillstånd som kallas Raynauds syndrom för vissa personer. Symptomen brukar vara att det sticker i fingrarna och att de domnar bort; fingrarna kan också bli vita, särskilt vid kyla. Årftliga faktorer, kyla och fukt, diet, rökning och arbetsrutiner tros alla bidra till att orsaka dessa symptom. Det finns förebyggande åtgärder som du kan vidta för att försöka minska vibrationernas påverkan:

- Håll dig varm när du arbetar i kallt väder. Använd handskar för att hålla händer och handleder varma under användning. Kyla har rapporterats som en viktig del i utvecklandet av Raynauds syndrom.
- Träna och rör på dig efter varje användningstillfälle för att öka blodcirkulationen.
- Ta ofta pauser från arbetet. Begränsa tiden du utsätter dig varje dag.

Upphör omedelbart om du upplever några av dessa symptom och uppsök din läkare.

⚠ VARNING

Risk för person- eller slitageskador vid användning av verktyget under lång tid. Om verktyget används under längre perioder krävs regelbundna pauser.

LÄR KÄNNA PRODUKTEN

Se sida 131.

1. Bakre handtag
2. Lås av-knapp
3. Avtryckare
4. Främre handtag
5. Sele
6. Övre skaft
7. Nedre skaft
8. Säkerhetsskydd
9. Skärblad
10. Skärtråd
11. Matningsknöl
12. Strömsladd
13. Kabelvinda
14. Rullens kåpa
15. Rulle
16. Ögla

SYMBOLER PÅ PRODUKTEN



Läs igenom och var införstådd med alla instruktioner före användning av produkten, var uppmärksam på alla varningar och säkerhetsinstruktioner.



Bär ögonskydd



Använd hörselskydd.



Använd inte metallblad för produkten.



Utsätt inte för regn eller våta omgivelningar.



Koppla bort kontakten från elnätet direkt före underhåll eller om kabeln skulle vara skadad, avklippt eller tilltrasslad.



Se upp med kringkastade eller flygande föremål. Håll alla åskådare, barn och husdjur på minst 15 meters avstånd från arbetsområdet.



Håll händerna borta från sågbladen.



Klass II-verktyg, dubbelt isolerat



Gamla elektroniska produkter ska inte kastas med hushållssoporna. Återvinn där sådana faciliteter finns. Kontrollera med din lokala myndighet eller säljaren för att få återvinningstips.



Ukrainskt märke för överensstämmelse



Detta verktyg uppfyller alla standarder i de EU-länder där det kan köpas.



EurAsian överensstämmelsesymbol



Garanterad ljudnivå är 96 dB.



Se upp med kringkastade eller flygande föremål. Håll åskådare på säkert avstånd från maskinen.

SYMBOLER I MANUALEN



Koppla den till ett väggurtag



Urkoppling från väggurtag



Delar och utrustning säljs separat



Obs!



Varning



Följande signalord och betydelser är tänkta att förklara de olika risknivåerna som är associerade med denna produkt.

⚠ FARA

Indikerar en överhängande farlig situation som kan, om den inte undviks, resultera i dödsfall eller allvarlig skada.

⚠ VARNING

Indikerar en potentiellt farlig situation som kan, om den inte undviks, resultera i dödsfall eller allvarlig skada.

⚠ PÅMINNELSE

Indikerar en potentiellt farlig situation som kan, om den inte undviks, resultera i mindre eller medelstora skador.

PÅMINNELSE

Utan säkerhetssymbol

Visar på en situation som kan orsaka skada på egendom.



Sähkökäyttöisen siimattrimmerin suunnittelussa on pidetty etusijalla turvallisuutta, suorituskykyä ja luotettavuutta.

KÄYTTÖTARKOITUS

Tuote on tarkoitettu vain ulkokäyttöön käyttäjän kävellessä tuotteen kanssa.

Laitte on tarkoitettu ruohon, pienten rikkaruohojen ja muiden vastaavien kasvien leikkaamiseen maanpinnan tasolla. Leikkuutaso on oltava suunnilleen maanpinnan suuntainen.

Laitetta ei saa käyttää pensasaitojen, pensaikkojen tai muun kasvillisuuden leikkaukseen eikä trimmaukseen, jos leikkuutaso ei ole maanpinnan suuntainen.

YLEISET TURVALLISUUSVAROITUKSET

VAROITUS

Noudata turvallisuussääntöjä tuotetta käyttäessäsi. Oman ja sivullisten turvallisuuden vuoksi, lue nämä ohjeet ennen tuotteen käynnistämistä. Säilytä ohjeet tulevaa käyttöä varten.

VAROITUS

Tuotetta ei ole tarkoitettu lasten eikä sellaisten ihmisten käytettäväksi, joiden ruumiin, aistien tai mielen suorituskyky on heikentynyt. Lapsia on pidettävä asianmukaisesti silmällä, jotta he eivät pääse leikkimään tuotteella.

VAROITUS

Joillain alueilla vallitsee säädöksiä, jotka rajoittavat tämän tuotteen käyttöä. Pyydä paikallisilta viranomaisilta neuvoa.

KOULUTUS

- Älä anna lasten tai käyttöohjeita tuntemattomien ihmisten käyttää laitetta. Paikalliset säädökset saattavat asettaa rajoituksia käyttäjän iälle.
- Lue ohjeet huolella. Opi käyttämään kaikkia ohjaimia ja laitetta asianmukaisesti.
- Pidä sivulliset, lapset ja lemmikit 15 metrin etäisyydellä työalueesta. Sammuta tuote, jos alueelle tulee joku.

- Älä koskaan käytä tuotetta väsyneenä, sairaana tai alkoholin, huumeiden tai lääkkeiden vaikutuksen alaisena.
- Muista, että ruohonleikkurin käyttö on vastuunalainen vahingoista ja vaaroista, jotka hän aiheuttaa muille ihmisille ja heidän omaisuuksilleen.

SÄHKÖTURVALLISUUS

- Pistokkeen on sovittava pistorasiaan. Älä koskaan muunna pistoketta millään tavalla. Älä käytä maadoitettujen sähkötyökalujen kanssa minkäänlaisia sovitinpistokkeita. Alkuperäiset pistokkeet ja niitä vastaavat pistorasiat pienentävät sähköiskun vaaraa.
- Varo tahatonta käynnistystä. Tarkista aina, että kytkin on OFF-asennossa, ennen kuin kytket laitteen virtalähteeseen. Älä kannata työkalua, joka on kytketynä virtaan, jos sormi on kytkimellä.
- Älä kosketa maadoitettuihin pintoihin, kuten putkiin, lämpöpattereihin, helloihin tai jääkaappeihin. Jos ruumiisi on maadoitettu, sähköiskun vaara on suurempi.
- Älä käytä tuotetta paikassa, jossa on salamaniskun vaara.
- Älä altista tuotetta sateelle tai kosteudelle. Veden pääsy laitteeseen lisää sähköiskun vaaraa.
- Virtalähteessä tulee olla jäännösvirtalaitte (RCD), jonka trippausvirta on enintään 30 mA.
- Tarkista virtajohto aina ennen käyttöä. Jos löytyy mitään merkkejä vaurioitumisesta, pätevän huoltomiehen on vaihdettava se. Avaa aina johto kääröltä ennen käyttöä; käärityt johdot voivat ylikuumentua.
- Jos sinun on käytettävä jatkojohtoa, varmista että se soveltuu ulkokäyttöön ja että sen luokitus riittää tuotteelle. Jatkojohdossa tulisi olla merkintä "H05 RN-F" tai "H05VV-F". Tarkista se vaurioiden varalta ennen jokaista käyttökertaa. Avaa jatkojohto aina kääröltä käytön ajaksi, koska käärityt johdot voivat ylikuumentua. Vaurioituneita jatkojohtoja ei saa korjata vaan ne tulee vaihtaa vastaavan tyyppiin.
- Älä käytä tuotetta, jos sähköjohto on vioittunut tai kulunut. Tarkista virtajohto aina ennen käyttöä. Avaa jatkojohto aina kääröltä käytön ajaksi, koska käärityt johdot voivat ylikuumentua.
- Jos virtajohto tai jatkojohto vioittuu käytön aikana, irrota se heti virtalähteestä. Älä

kosketa sähköjohtoja, ennen kuin virta on katkaistu.

- Varmista, että virtajohto sijaitsee siten, että se ei voi leikkaantua ja että sen päälle ei astuta eikä siihen kompastuta eikä se muuten vioitu tai rasitu.
- Älä koskaan nosta tai kanna tuotetta sähköjohtosta.
- Älä koskaan irrota laitetta pistorasiasta vetämällä virtajohtosta.
- Älä päästä johtoa koskettamaan kuumuuden lähteitä, öljyä tai teräviä reunoja.
- Tarkista, että jännite on tuotteelle oikea. Tuotteen jännite ilmoitetaan sen nimikyltissä. Älä koskaan kytke tuotetta tästä jännitteestä poikkeavaan vaihtovirtaan.
- Tarkista ennen virtalähteestä irrottamista, että kytkin on Off-asennossa.

VALMISTELUT

- Käytä tuotetta käyttäessäsi täysisiä suojalaseja ja kuulosuojaimia. Suojakypärää on käytettävä alueilla, joissa on putoavien kappaleiden vaara.
- Kuulosuojaimet voivat heikentää käyttäjän kykyä kuulla varoitusääniä; ole erityisen tarkkaavainen vaaratilanteiden suhteen työalueen ympärillä ja sisällä.
- Käytä paksuja pitkiä housuja, saappaita ja käsineitä. Älä käytä löysiä vaatteita, shortseja tai minkäänlaisia koruja tai kulje paljasjaloin.
- Sido pitkät hiukset hartioiden yläpuolelle, jotta ne eivät pääse tarttumaan liikkuviin osiin.
- Tarkista ennen käyttöä ja aina iskun jälkeen, että laitteessa ei ole vioittuneita osia. Valtuutetun huoltopisteen on korjattava tai vaihdettava viallinen kytkin tai muu vahingoittunut tai kulunut osa asianmukaisesti.
- Tarkista, että leikkuupää on asennettu asianmukaisesti ja tukevasti.
- Älä koskaan käytä tuotetta ilman, että kaikki suojukset, hihnat, ohjauslevyt ja kädensijat on kiinnitetty tukevasti.
- Huomioi ympäristöä, missä työskentelet. Pidä työalue vapaana johdoista, kepeistä, kivistä ja roskista, jotka saattavat sinkoutua leikkurin osuessa niihin.

SIIMATRIMMERIN TURVALLISUUSVAROITUKSET

- Älä anna lasten tai käyttöohjeita tuntemattomien ihmisten käyttää tuotetta.
- Käytä tuotetta päivänvalossa tai hyvässä keinovalossa.
- Vältä käyttöä märällä ruoholla.
- Älä kävele takaperin tuotetta käyttäessäsi.
- Pidä vakaa tasapaino. Älä kurkota liian pitkälle. Liian pitkälle kurkotta minen saattaa johtaa tasapainon menettämiseen. Seiso aina hyvässä tasapainossa rinteissä ja kävele, älä juokse.
- Pidä sivulliset, lapset ja lemmikit 15 metrin etäisyydellä työalueesta. Sammuta tuote, jos alueelle tulee joku.
- Pidä leikkuupää pää vyötärön alapuolella.
- Älä koskaan käytä tuotetta, jos sen suojukset ovat vioittuneita tai puuttuvat.
- Älä koskaan asenna metallista varasiimaa.
- Pidä kädet ja jalat hyvin kaukana terästä koko ajan, varsinkin konetta käynnistäessä.
- Varo – leikkuelementit jatkavat pyörimistä moottorin sammuttamisen jälkeen.
- Varo leikkuusiiman sinkoamia kappaleita. Siivoo työalueelta roskat, kuten pienet kivet, sora ja muut vieraskappaleet, ennen käytön aloittamista. Leikkuulaitteeseen voi tarttua johtoja tai lankoja.
- Sammuta laite ja irrota se virtalähteestä ennen seuraavia toimintoja:
 - huolto
 - tuotteen jättäminen valvomatta
 - ennen tuotteen puhdistamista tai tukoksen poistamista.
 - lisävarusteiden vaihtaminen
 - vaurioiden tarkistaminen esineeseen osumisen jälkeen
 - vaurioiden tarkistaminen, jos tuote alkaa tärinästä epänormaalisti
 - huolto
- Ruohosuojaan kiinnitetty pieni terä on suunniteltu trimmaamaan uusi siima oikean pituiseksi turvallisen ja optimaalisen toiminnan takaamiseksi. Se on hyvin terävä; älä kosketa sitä puhdistaussasi laitetta.
- Pidä aina huoli siitä, että tuuletusaukoissa ei ole roskaa.
- Tarkista, että leikkuupää on asennettu asianmukaisesti ja tukevasti.



- Varmista, että kaikki suojukset, ohjauslevyt ja kädensijat on kiinnitetty tukevasti.
- Älä tee tuotteeseen mitään muunnoksia; se lisää loukkaantumisen vaaraa sinulle ja muille.
- Käytä ainoastaan valmistajan tuottamaa siimaa. Älä käytä muita leikkuuvälineitä.
- Sammuta kone heti ja irrota verkkovirrasta kerran onnettomuus- tai jakautuminen. Älä käytä tuotetta uudelleen, kunnes se on täysin tarkastaa valtuutetussa huoltoliikkeessä.

KULJETUS JA VARASTOITAESSA

- Sammuta tuote ja anna sen jäähtyä riittävästi ennen varastointia tai kuljetusta.
- Puhdista laitteesta kaikki vieraat materiaalit. Varastoi laite viileään, kuivaan ja hyvin tuuletettuun paikkaan, jossa lapset eivät pääse siihen käsiksi. Pidä poissa syövyttäviltä aineilta kuten puutarhakemikaaleilta ja jäänsulatussuolalta. Älä säilytä ulkona.
- Irrota virtalähde ja kiedo johto kelaksi ennen varastointia.
- Kiinnitä tuote kuljetettaessa siten, että se ei pääse liikkumaan tai kaatumaan, jotta vältytään loukkaantumisilta ja vaurioilta.

HUOLTO

▲ VAROITUS

Käytä ainoastaan alkuperäisiä valmistajan tuottamia varaosia, lisälaitteita ja lisävarusteita. Tämän noudattamatta jättäminen voi johtaa loukkaantumiseen ja huonoon tulokseen ja voi mitätöidä takuun.

▲ VAROITUS

Huolto kaipaa suurta huolellisuutta ja hyvää työkalun tuntemusta: Se on annettava pätevän teknikon tehtäväksi. Suosittelemme, että viet työkalun korjattavaksi lähimpään valtuutettuun liikkeeseen. Käytä vaihdossa yksinomaan alkuperäisiä varaosia.

- Sammuta laite ja irrota se pistorasiasta ennen huoltoa tai puhdistusta.
- Tässä kuvatut säädöt ja korjaukset voidaan usein hoitaa itse. Jos laite vaatii muuta huoltoa, ota yhteys valtuutettuun huoltopisteeseen.

- Käytä vaihtosiimana ainoastaan nailonsiimaa, jonka läpimitta vastaa tämän käsikirjan teknisten tietojen taulukkoa.
- Kun pidennät siimaa, palauta laite aina normaaliin käyttöasentoon ennen sen käynnistystä.
- Puhdista tuote aina käytön jälkeen pehmeällä ja kuivalla liinalla. Valtuutetun huoltopisteen on korjattava tai vaihdettava vioittuneet osat asianmukaisesti.
- Varmista aina, että ruuvit ja mutterit ovat tiukasti kiinni, jotta leikkuri olisi aina turvallinen ja käyttövalmis.

KÄYTTÖÖN LIITTYVÄT RISKIT

Vaikka tuotetta käytettäisiin ohjeiden mukaisesti, ei ole mahdollista täysin eliminoida tiettyjä käyttöön liittyviä riskitekijöitä. Käytössä voi aiheutua seuraavia vaaroja, ja käyttäjän tulee kiinnittää erityistä huomiota niiden välttämiseen:

- Tärinän aiheuttama vamma. Pitele tuotetta aina kahvoista ja rajoita työaikaa sekä altistumista.
- Liian kova melu voi aiheuttaa kuulovamman. Käytä suojalaseja ja rajoita altistumista.
- Silmävamma sinkoilevien roskien takia. Käytä aina suojalaseja.

RISKIEN VÄHENTÄMINEN

Raporttien mukaan käsikäyttöisten tuotteiden tärinä voi joidenkin kohdalla myötävaikuttaa Raynaud's Syndromen (Raynaudin oikeen) ilmenemiseen. Oireita ovat pistely, turtuus ja sormien kalpeneminen, yleensä kylmässä ilmassa. Perinnölliset tekijät, kylmyys ja kosteus, ruokavalio, tupakointi sekä työtavat voivat kaikki myötävaikuttaa näiden oireiden ilmenemiseen. Käyttäjä voi ehkäistä tärinän aiheuttamia vaikutuksia seuraavasti:

- Pidä itsesi lämpimänä kylmällä säällä. Käytä tuotteen käytön aikana käsineitä, jotta kätesi ja ranteesi pysyvät lämpöisinä. Raporttien mukaan kylmä ilma on tärkeä tekijä Raynaud's Syndromen (Raunaudin oikeiden) ilmenemisessä.
- Harjoita kunkin käyttöjakson jälkeen liikuntaa, jotta verenkierto lisääntyisi.
- Pidä työn aikana säännöllisesti taukoja. Rajoita päivittäisen tärinän määrä.

Jos mitään yllä mainittuja oireita ilmenee, lopeta heti laitteen käyttö ja kerro oireista lääkärille.



VAROITUS

Laitteen pitkittynyt käyttö voi aiheuttaa tai vaikeuttaa vammoja. Kun käytät mitä tahansa laitetta pitkiä aikoja, muista pitää säännöllisiä taukoja.

TUNNE TUOTTEESI

Katso sivu 131.

1. Takakädensija
2. Vapautuspainike
3. Liipaisin
4. Etukädensija
5. Valjaat
6. Ylävarsi
7. Alavarsi
8. Suoja
9. Katkaisuterä
10. Leikkuusiima
11. Napautusnuppi
12. Virtajohto
13. Johdon kotelo
14. Kelan kansi
15. Kela
16. Aukko

TUOTTEESSA OLEVAT SYMBOLIT



Lue ja ymmärrä kaikki ohjeet ennen tuotteen käyttöä ja noudata kaikkia varoituksia ja turvallisuusohjeita.



Käytä silmäsuojaimia



Käytä kuulosuojaimia.



Älä käytä tuotteessa metalliteriä.



Älä altista konetta sateelle tai kosteudelle.



Jos johto vioittuu, katkeaa tai sotkeutuu, irrota se heti pistokkeesta ennen sen huoltoa.



Varo sinkoutuneita ja muita lentäviä esineitä. Pidä kaikki sivulliset vähintään 15 metrin päässä toiminta-alueelta – erityisesti lapset ja lemmikit.



Pidä kädet kaukana katkaisuterästä.



Luokan II laite, kaksoiseristetty



Käytöstä poistettavia sähkölaitteita ei pidä hävittää talousjätteiden mukana. Ne on mahdollisuuksien mukaan pantava kiertoon. Kierrätysohjeita antavat kunnan viranomaiset ja vähittäiskauppiat..



Ukrainalainen säästöstenmukaisuusmerkintä



Tämä työkalu on sen EU-maan kaikkien sääntömääräisten standardien mukainen, josta se on ostettu.



EurAsian-vaatimustenmukaisuusmerkki



Taattu äänenteho on 96 dB.



Varo sinkoutuneita ja muita lentäviä esineitä. Pidä tarkkailijat turvallisessa etäisyydessä toimivasta koneesta.

TÄMÄN KÄSIKIRJAN SYMBOLIT



Kytke pistorasiaan



Irrota pistorasiasta



Osat ja lisävarusteet on hankittava erikseen



Huomautus



Varoitus

Seuraavat signaalisanat ja merkitykset on tarkoitettu selittämään tähän tuotteeseen liittyviä riskin tasoja.

⚠ VAARA

Ilmaisee välitöntä vaaratilannetta, joka ellei sitä vältetä, johtaa kuolemaan tai vakavaan loukkaantumiseen.

⚠ VAROITUS

Ilmaisee potentiaalisen vaaratilanteen, joka ellei sitä vältetä, johtaa kuolemaan tai vakavaan loukkaantumiseen.

⚠ HUOMAUTUS

Ilmaisee potentiaalisen vaaratilanteen, joka ellei sitä vältetä, saattaa johtaa pienempään tai keskivaikeaan loukkaantumiseen.

HUOMAUTUS

Ilman turvallisuusvaroitusymbolia

Ilmoittaa tilanteesta, jossa omaisuutta saattaa vaurioitua.

Sikkerhet, ytelse og driftssikkerhet er gitt topp prioritet i konstruksjonen av din elektriske snorklipper.

TILTENKT BRUK

Produktet er kun ment for bruk utendørs av en operatør som går bak produktet.

Produktet er tiltenkt å kutte gress, smått ugress og annen lignende vegetasjon ved eller nær bakkenivå.

Produktet må ikke brukes til klipping av hekker, busker eller annen vegetasjon der kniven ikke er parallell med bakken.

GENERELLE SIKKERHETSADVARSLER

⚠ ADVARSEL

Når produktet brukes må sikkerhetsreglene følges. Les disse instruksjonene før du tar i bruk produktet for din egen sikkerhet og sikkerheten til personer som befinner seg i nærheten. Ta godt vare på instruksjonene for framtidig referanse!

⚠ ADVARSEL

Dette produktet er ikke ment å bli brukt av barn eller personer med nedsatte fysiske, mentale eller sensoriske evner. Barn må ha riktig tilsyn for å sikre at de ikke leker med produktet.

⚠ ADVARSEL

Noen regioner har bestemmelser som begrenser bruk av dette produktet. Spør de lokale myndigheter for råd.

OPPLÆRING

- Ikke tillat at barn eller personer som ikke er kjent med brukermanualen bruke produktet. Lokale forskrifter kan begrense en alder av operatøren.
- Les instruksjonsmanualen nøye. Gjør deg kjent med alle kontrollene og korrekt bruk av produktet.
- Hold tilskuere, barn og kjæledyr 15m unna arbeidsområde. Stopp produktet når noen kommer inn på området hvor produktet brukes.
- Ikke bruk utstyret når du er sliten, syk eller

under påvirkning av alkohol, narkotika eller medisiner som kan påvirke reaksjonsevne og dømmekraft.

- Husk at operatøren eller brukeren er ansvarlig for uhell og farer som andre personer og deres eiendom får påført.

ELEKTRISK SIKKERHET

- Strømpluggene må passe til kontaktene. Foreta aldri noen form for endringer av støpslet. Ikke bruk noen form for adapterstøpsel til jordet elektrisk verktøy. Umodifiserte støpsler og passende stikkontakter vil redusere risikoen for elektrisk støt.
- Unngå utilsiktet start. Påse at bryteren alltid er i posisjon OFF før det elektriske støpslet settes inn i stikkontakten. Ikke bær på et verktøy med fingeren på bryteren dersom det er koblet til strømmen.
- Unngå kroppskontakt med jordede overflater, som vannrør, radiatorer, kokeapparater og kjøleaggregater. Det er økt risiko for elektrisk støt dersom kroppen din har kontakt med jord.
- Ikke bruk produktet dersom det er fare for lynnedslag.
- Ikke utsett produktet for regn eller høy fuktighet. Vann som trenger inn i apparatet vil øke risikoen for elektrisk støt.
- Utstyret må få strøm fra en elektrisk kurs med jordfeilbryter som ikke overstiger 30 mA.
- Før hver bruk skal strømledningen sjekkes for skader. Hvis det er tegn på skade må den skiftes av en kvalifisert tekniker. Rull alltid ut ledningen under bruk for sammenrullede ledninger kan bli overopphetet.
- Hvis du trenger å bruke en skjøteledning må du påse at kablen egner seg for utendørs bruk og at kapasiteten tilfredsstiller produktets behov. Skjøteledningen må være merket med enten "H05 RN-F" eller "H05VV-F". Sjekk for skader før hver bruk. Rull alltid ut skjøteledningen under bruk for sammenrullede ledninger kan bli overopphetet. Skader på skjøteledninger må ikke repareres med skiftes ut med tilsvarende type ledning.
- Ikke bruk produktet dersom den elektriske kablen er slitt eller skadet. Før hver bruk skal strømledningen sjekkes for skader. Rull alltid ut skjøteledningen under bruk for sammenrullede ledninger kan bli

overopphetet.

- Hvis den elektriske ledningen blir skadet under bruk må støpslet umiddelbart trekkes ut av den elektriske kontakten. Ikke berør den elektriske kabelen før støpslet er trukket ut av den elektriske kontakten.
- Sjekk at ledningen er lagt slik at den ikke kan bli skadet av kutteheten og at ingen trækker eller snubler i den, eller at ledningen er utsatt for skade eller stress.
- Plukk aldri opp eller bær produktet i den elektriske ledningen.
- Ikke trekk i ledningen for å frigjøre støpslet fra stikkkontakten.
- Hold ledningen vekke fra varme, olje og skarpe kanter.
- Påse at spenningen stemmer med det som angis for produktet. En navneplate på produktet viser produktets spenning. Tilkoble aldri utstyret til en elektrisk kontakt med en spenning som skiller seg fra produktets.
- Påse at bryteren er i posisjon OFF før støpslet trekkes ut av den elektriske kontakten.

KLARGJØRING

- Ha på deg passende vernebriller og hørselvern når du bruker produktet. Hvis du jobber i områder der det er fare for fallende objekter, må du bruke hjelm.
- Hørselvern kan begrense operatørens evne til å høre varsellyder, vær spesielt oppmerksom på potensielle farer rund og på innsiden av arbeidsområde.
- Bruk tette langbukser, støvler og hansker. Ikke bruk løstsittende klær, kortbukser, smykker av alle slag og ikke gå barbent.
- Sørg for at langt hår ikke når lenger ned en til skuldrene for å hindre at det kan fanges opp av roterende deler.
- Før bruk og etter hvert slag, sjekk for skadede deler. En defekt bryter eller annen del som er skadet eller slitt skal repareres adekvat eller skiftes ut av et autorisert serviceverksted.
- Påse at kutteutstyret er satt på riktig og festet godt.
- Ikke bruk produktet dersom ikke alle vern, avvisere og håndtak er på plass og forsvarlig festet.
- Vurder omgivelsene du skal jobbe i. Hold arbeidsområde fri for ledninger, pinner,

steiner og annet avfall som kan sprette unna dersom kutteren kommer borti det.

TRÅDTRIMMER SIKKERHETSADVARSLER

- Ikke tillat at barn eller personer som ikke er kjent med brukermanualen bruker produktet.
- Bruk produktet i dagslys eller under godt kunstig lys.
- Unngå å bruke på vått gress.
- Ikke gå baklengs når du bruker produktet.
- Ha god fotfeste og ballanse til enhver tid. Ikke len deg for langt. Hvis du lener deg for langt, kan du miste balansen. Påse at du alltid har godt fotfeste på skråninger, du må alltid gå, ikke løpe.
- Hold tilskuere, barn og kjæledyr 15 m unna arbeidsområde. Stopp produktet når noen kommer inn på området hvor produktet brukes.
- Kutteenheten må ikke løftes høyere enn til hofte høyde.
- Bruk aldri produktet med ødelagt skjerming eller uten at skjermingen er montert.
- Du må ikke bruke metalltråd ved skifting av kuttetråd.
- Hold hender og føtter til enhver tid unna kutteenheten, spesielt når du skrur motoren på.
- Vær oppmerksom på at kutteenheten fortsetter å rotere etter at motoren har blitt skrudd av.
- Vær oppmerksom på at kutteenheten kan slenge opp gjenstander. Fjern avfall som småstein, grus og andre fremmedlegemer fra arbeidsområde før du begynner med jobben. Ledninger eller snorer kan surre seg inn i kutteenheten.
- Slå av og trekk ut støpslet fra den elektriske kontakten før:
 - det utføres servicearbeid
 - etterlater produktet uten tilsyn
 - rense produktet eller rense en blokkering
 - skifte av tilbehør
 - se etter skader dersom verktøyet har truffet en gjenstand
 - se etter skader dersom produktet begynner å vibrere kraftig
 - gjennomfører vedlikehold
- Det lille kuttebladet som sitter på gressbeskyttelsen er ment å kappe ny tråd

EN
FR
DE
ES
IT
NL
PT
DA
SV
FI
NO
RU
PL
CS
HU
RO
LV
LT
ET
HR
SL
SK
BG
UK
TR

til riktig lengde for å kunne bruke trimmeren trygt og optimalt. Det er meget skarpt, så ikke ta på det, pass spesielt på når du renser verktøyet.

- Sørg alltid for at avfall ikke tetter ventilasjonsspaltene.
- Påse at kutteutstyret er satt på riktig og festet godt.
- Påse at alle deksler, stropper, avvisere og håndtak er korrekt og trygt montert.
- Ikke modifier produktet på noen måte idet dette kan øke risikoen for skade på deg selv eller andre.
- Bruk kun produsentens påfyllingstråd. Ikke bruk andre kuttetillegg.
- Slå umiddelbart av og koble fra strømmettet en gang i tilfelle ulykke eller sammenbrudd. Ikke bruk produktet på nytt før det er fullt kontrollert av autorisert servicesenter.

TRANSPORT OG LAGRING

- Slå av produktet og la det kjøles ned før lagring eller transport.
- Fjern alle fremmedelementer fra produktet. Lagres på et kjølig, tørt og godt ventilert sted som er utilgjengelig for barn. Hold den borte fra korrosive materialer, så som ugressmidler og veisalt. Ikke oppbevar utendørs.
- Ved lagring må støpslet alltid trekkes ut av kontakten og ledningen kveiles opp.
- Ved transport må produktet sikres mot å komme i bevegelse eller falle for å unngå skade på personer eller produktet.

VEDLIKEHOLD

⚠ ADVARSEL

Bruk kun produsentens originale reservedeler, tilleggsutstyr og påsatser. Dersom dette ikke følges, kan det forårsake personskader, dårlig funksjon og kan annullere garantien din.

⚠ ADVARSEL

Service krever meget stor forsiktighet og kunnskap og bør utføres kun av kvalifisert teknisk personale. Vi anbefaler at man sender verktøyet tilbake til nærmeste autoriserte servicesenter for reparasjon. Når service utføres skal kun identiske reservedeler brukes.

- Skru av produktet og koble fra strømtilførselen før du utfører vedlikehold og rengjøring.
- Du kan utføre justeringer og reparasjoner som er beskrevet her. For andre reparasjoner, ta kontakt med et autorisert serviceverksted.
- For å skifte tråd, bruk kun nylonfibertråd med diameteren spesifisert i tabellen i denne håndboken.
- Etter at du har forlenget kuttetråden, må du alltid først snu produktet til vanlig arbeidsstilling før du starter det.
- Etter hver bruk, rens produktet med en myk tørr klut. Enhver del som er skadet må repareres eller skiftes ut ved et autorisert serviceverksted.
- Kontroller all mutter, bolter og skruer med jevne mellomrom at de er skrudd fast for å sikre at utstyret er i driftssikker stand.

GJENVÆRENDE RISIKO

Selv om utstyret brukes som beskrevet er det ikke mulig å unngå enhver gjenværende risiko. Følgende faresituasjoner kan oppstå ved bruk, og operatøren må legge spesielt vekt på å unngå følgende:

- Personskade på grunn av vibrasjon. Hold produktet i angitte håndtak og begrenns arbeidstid og eksponering.
- Eksponering for støy kan føre til hørselskader. Bruk hørselvern og begrenns eksponeringen.
- Øyeskader som følge av flygende gjenstander. Bruk til enhver tid øyebeskyttelse.

FAREREDUKSJON

Det foreligger rapporter om at vibrasjoner fra håndholdt verktøy for enkelte personer kan bidra til en tilstand som kalles Raynauds Syndrome. Symptomene kan omfatte følelseløshet og gjøre fingrene bleke, vanligvis synlig ved eksponering til lave temperaturer. Arvelige faktorer, eksponering mot lave temperaturer og fuktighet, diett, røyking og arbeidspraksis blir alle ansett for å kunne bidra til å utvikle disse symptomene. Brukeren kan iverksette tiltak for mulig å redusere virkningene av vibrasjonene:

- Hold kroppen din varm i kaldt vær. Bruk hansker og hold hender og håndledd varme

ved bruk av produktet. Det er rapportert at kaldt vær er en viktig faktor som bidrar til Raynauds Syndrome.

- Etter hver arbeidsperiode bør det utføres øvelser for å øke blodsirkulasjonen.
- Ta ofte pauser fra arbeidet som utføres. Begrens mengden av eksponering pr. dag.

Hvis du opplever noen av symptomene på denne tilstanden må du øyeblikkelig avbryte arbeidet og oppsøke en lege med disse symptomene.

⚠ ADVARSEL

Hvis man bruker verktøyet for lenge av gangen, kan det føre til eller forverre allerede eksisterende personskade. Når du bruker et verktøy over en lenger tidsperiode, husk å ta regelmessige pauser.

KJENN PRODUKTET DITT

Se side 131.

1. Bakre håndtak
2. Åpner på knappen
3. Avtrekker
4. Fremre håndtak
5. Sele
6. Øvre skaft
7. Nedre stang
8. Sikkerhetsvern
9. Kappeblad
10. Klippesnor
11. Hode
12. Elektrisk ledning
13. Trådholder
14. Spoledeksel
15. Spole
16. Øye

SYMBOLER PÅ PRODUKTET



Les og forstå alle instruksjoner før du tar i bruk produktet, følg alle advarsler og sikkerhetsanvisninger.



Bruk øyebeskyttelse.



Bruk hørselvern.



Ikke bruk metallblader på produktet.



Ikke utsette for regn eller fuktige forhold.



Fjern øyeblikkelig støpslet fra stikkontakten dersom ledningen skades eller kappes av.



Vær oppmerksom på utkastede eller flygende gjenstander. Hold tilskuere, spesielt barn og dyr, på god avstand, det vil si minst 15 meter fra arbeidsområdet



Hold hendene vekk fra klippekneivene



Klasse II verktøy, dobbelisolasjon



Avfall fra elektriske produkter skal ikke kastes sammen med husholdningsavfall. Vennligst resirkulervedeksisterende avfallsbehandlingssted. Undersøk hos dine lokale myndigheter eller forhandler for råd om resirkulering.



Ukrainsk merke for konformitet



Dette verktøyet overholder samtlige standarder i det EU-landet det er kjøpt i.



EurAsian Konformitetstegn



Garantert lydeffektnivå er 96 dB.



Vær oppmerksom på utkastede eller flygende gjenstander. Hold tilskuere på trygg avstand fra maskinen.

SYMBOLER I DENNE MANUALEN



Tilkoble til strømkontakten.



Ta ut av strømkontakten.



Deler eller tilbehør solgt separat



MERK



Advarsel

Følgende symboler og betydninger forklarer risikonivået som er assosiert med dette produktet.

⚠ FARE

Indikerer en øyeblikkelig farlig situasjon, som, hvis ikke unngås, kan resultere i død eller alvorlig personskade.

⚠ ADVARSEL

Indikerer en potensiell farlig situasjon, som, hvis ikke unngås, kan resultere i død eller alvorlig personskade.

⚠ FORSIKTIGHETSREGEL

Indikerer en potensiell farlig situasjon, som, hvis ikke unngås, kan resultere i mindre eller moderat personskade.

FORSIKTIGHETSREGEL

Uten sikkerhetsvarselsymbol

Indikerer en situasjon som kan føre til skade på eiendom.

При разработке этого электрического струнного триммера особое внимание уделялось безопасности, производительности и надежности.

НАЗНАЧЕНИЕ

Изделие предназначено только для использования на открытом воздухе, при этом оператор должен перемещаться с изделием, ходя по земле.

Продукт предназначен для скашивания травы, небольших сорняков и другой подобной растительности на уровне земли или около него.

Данное устройство не должно использоваться для обрезки или подравнивания живой изгороди, кустов или другой растительности, при работе с которой плоскость резания не параллельна поверхности земли.

ОБЩИЕ ПРАВИЛА БЕЗОПАСНОСТИ

▲ ОСТОРОЖНО

При использовании устройства необходимо соблюдать правила техники безопасности. В целях собственной безопасности и безопасности наблюдающих лиц перед использованием устройства прочитайте приведенные в данном руководстве инструкции. Сохраняйте эту инструкцию для дальнейшего использования.

▲ ОСТОРОЖНО

Данное устройство не предназначено для использования детьми или лицами с ограниченными физическими, психическими или сенсорными возможностями. Не допускайте того, чтобы дети играли с этим устройством.

▲ ОСТОРОЖНО

В некоторых регионах существуют правила, ограничивающие использование этого продукта. Проконсультируйтесь с местными органами власти.

ОБУЧЕНИЕ

- Никогда не позволяйте детям или людям,

незнакомым с этими инструкциями, использовать данное изделие. Местные инструкции могут ограничить возраст оператора.

- Внимательно прочтите данные инструкции. Ознакомьтесь с элементами управления и правилами эксплуатации изделия.
- Не допускайте прохожих, детей и домашних животных ближе чем на 15 м от рабочей зоны. Остановите устройство, если кто-то войдет в рабочую зону.
- Не работайте с изделием, если вы утомлены, больны, находитесь в состоянии алкогольного, наркотического опьянения или под воздействием лекарственных средств.
- Иметь в виду, что оператор или пользователь ответственны за несчастные случаи или опасности, встречающиеся другим людям или их собственности.

ЭЛЕКТРОБЕЗОПАСНОСТЬ

- Вилка должна соответствовать розетке. Не подвергайте вилку кабеля каким-либо изменениям. Не используйте какие-либо переходники с электроинструментами с заземляющим проводом. Использование оригинальных штепсельных вилок и соответствующих розеток предотвращает опасность поражения электрическим током.
- Избегайте неумышленного старта. Перед подключением устройством к источнику питания убедитесь в том, что выключатель находится в положении выключения. Не несите включенный инструмент с вашим пальцем на выключателе.
- Не допускайте контакта частей тела с поверхностями заземленных предметов, таких как трубы, радиаторы отопления, кухонные плиты, холодильники. При соприкосновении частей тела человека с заземленными участками возрастает опасность поражения электрическим током.
- Не используйте устройство, если может начаться гроза.
- Не допускайте попадания влаги на изделие и не используйте его во влажной атмосфере. Попадание влаги в устройство может привести к выходу его из строя или поражению электрическим током.



- Электропитание на устройство должно подаваться через устройство защитного отключения (RCD) с силой тока размыкания не более 30 мА.
- Перед каждым использованием проверьте шнур питания на наличие повреждений. Если имеются какие-либо признаки повреждения, обратитесь к квалифицированному специалисту для выполнения замены. Всегда разматывайте шнур питания во время эксплуатации устройства, гибкие кабели могут перегреваться.
- Если необходимо использовать удлинительный шнур, убедитесь, что он подходит для использования вне помещений, и допустимый ток достаточен для питания изделия. Удлинительный шнур должен быть маркирован «H05 RN-F» или «H05 VV-F». Проверяйте это перед каждым использованием на предмет повреждений. Всегда разматывайте удлинительный шнур во время эксплуатации устройства, потому что спиральные шнуры могут перегреваться. Поврежденные удлинители не подлежат ремонту, их следует заменять аналогичным устройством.
- Не используйте изделие, если его электрический кабель поврежден или изношен. Перед каждым использованием проверьте шнур питания на наличие повреждений. Всегда разматывайте удлинительный шнур во время эксплуатации устройства, потому что спиральные шнуры могут перегреваться.
- Если во время использования произошло повреждение кабеля питания или удлинительного кабеля, незамедлительно отсоедините его от сети питания. Не прикасайтесь к электрическому кабелю, пока он не будет отключен от источника питания.
- Убедитесь, что шнур питания расположен так, что невозможно его порезать, наступить на него, споткнуться об него или повредить каким-либо иным способом.
- Запрещается тянуть за кабель питания для поднятия или перемещения изделия.
- Запрещается тянуть за кабель питания, чтобы отключить его от сети.
- Оберегайте кабель от источников тепла, масла и острых предметов.
- Убедитесь, что напряжение является правильным для вашего изделия. В паспортной табличке изделия указано его номинальное напряжение. Запрещается подключать устройство к сети переменного тока, напряжение которой отличается от указанного.
- Перед отключением устройства от сети питания убедитесь, что выключатель находится в выключенном положении.

ПОДГОТОВКА

- Используйте надежные приспособления для защиты глаз и органов слуха при работе с продуктом. При работе в зоне, где есть риск падения предметов, необходимо носить защитную каску.
 - Средства защиты органов слуха могут ограничить операторам способность слышать предупреждающие сигналы или обратить особое внимание на потенциальные опасности вокруг и внутри рабочей зоны.
 - Работайте в толстых длинных брюках, сапогах и перчатках. Не допускается ношение слишком свободной одежды, коротких брюк, ювелирных изделий. Запрещается работать босиком.
 - Соберите длинные волосы выше плеч, чтобы предотвратить их попадание в движущиеся части.
 - Перед использованием устройства или после него убедитесь, что в нем нет поврежденных деталей. Для ремонта или замены неисправного переключателя или любой иной детали следует обращаться в авторизованный сервисный центр.
 - Убедитесь, что режущая насадка правильно установлена и надежно закреплена.
 - Никогда не эксплуатируйте изделие, если все защитные приспособления, отражатели и ручки не будут правильно и надежно закреплены.
 - Рассмотрите окружающую среду, в которой Вы работаете. Держите рабочее место свободным от проводов, палок, камней и мусора, которые при столкновении с режущим устройством могут вылететь с большой скоростью.
- ОСОБЕННОСТИ ТЕХНИКИ БЕЗОПАСНОСТИ ПРИ ЭКСПЛУАТАЦИИ ГАЗОННОГО ТРИММЕРА**
- Не допускайте к работе с данным устройством детей и лиц, незнакомых





с инструкциями по использованию изделия.

- Используйте изделие при дневном свете или хорошем искусственном освещении.
- Не используйте устройство для стрижки влажной травы.
- Запрещается пятиться при эксплуатации продукта.
- Держать устойчивую опору и баланс. Не перенапрягать. Перенапряжение может кончатся потерей баланса. Всегда сохраняйте устойчивость на склонах и ходите спокойно, не бегите.
- Не допускайте прохожих, детей и домашних животных ближе чем на 15 м от рабочей зоны. Остановите устройство, если кто-то войдет в рабочую зону.
- Не поднимайте режущую насадку выше пояса.
- Запрещается использовать изделие, если защитные устройства повреждены или вообще не установлены.
- Никогда не закрепляйте металлическую линию замены.
- Держите руки и ноги далеко от режущих средств во всех случаях и особенно при включении двигателя.
- Осторожно! Режущие элементы продолжают вращаться после отключения двигателя.
- Остерегайтесь объектов, выбрасываемых режущими приспособлениями. Удалите мусор, такой как мелкие камни, гравий и другие посторонние предметы, из рабочей зоны до начала работы. Провода или шнуры могут запутаться в режущих деталях.
- Перед выполнением следующих операций отключите устройство и отсоедините его от сети питания:
 - обслуживание
 - Оставление изделия без присмотра
 - очистка продукта или устранение забивания
 - Замена принадлежностей
 - Проверка на наличие повреждений после столкновения с предметами
 - Проверка на наличие повреждений, если изделие начнет необычно вибрировать
 - Выполнение технического обслуживания
- Небольшое лезвие, установленное под защитным приспособлением,

предназначено для подрезания новой удлиненной струной до нужной длины в целях обеспечения безопасной и оптимальной производительности. Оно очень острое, не прикасайтесь к нему, особенно при очистке инструмента.

- Всегда проверяйте устройство на отсутствие грязи в вентиляционных отверстиях.
- Убедитесь, что режущая насадка правильно установлена и надежно закреплена.
- Проверьте правильность установки и надежность крепления всех защитных устройств, отражателей и ручек.
- Запрещается каким-либо образом изменять изделие, так как это может привести к травмам оператора или окружающих лиц.
- Для замены режущей струны используйте только оригинальные струны от производителя. Использование других режущих насадок не допускается.
- Немедленно выключите и отсоедините от сети сразу в случае аварии или поломки. Не используйте продукт снова, пока это не полностью проверены уполномоченным сервисным центром.

ТРАНСПОРТИРОВКА И ХРАНЕНИЕ

- Остановите изделие, дайте ему остыть перед постановкой на хранение или транспортировкой.
- Очистите устройство от всех посторонних материалов. Храните его в прохладном, сухом, хорошо проветриваемом и недоступном для детей месте. Не держите бензопилу рядом с коррозионными веществами, такими как садовые химикаты или размораживающая соль. Не храните на открытом воздухе.
- При хранении устройства всегда отключайте его от сети питания и сматывайте его кабель.
- Для транспортировки закрепите изделие так, чтобы оно не могло перемещаться или упасть во избежание травмирования персонала или повреждения изделия.



ТЕХНИЧЕСКОЕ ОБСЛУЖИВАНИЕ

▲ ОСТОРОЖНО

Используйте только оригинальные запчасти, аксессуары и насадки от производителя. Невыполнение этого требования может привести к травме, к снижению производительности и к аннулированию гарантии.

▲ ОСТОРОЖНО

Обслуживание требует чрезвычайной заботы и знания и должно быть выполнено только квалифицированным техником обслуживания. Для обслуживания мы предлагаем, чтобы вы возвратили изделие вашему самому близкому уполномоченному центру обслуживания для ремонта. При обслуживании использовать только идентичные сменные части.

- Перед проведением обслуживания или чистки выключите устройство и извлеките шнур питания из розетки.
- Вы можете выполнить регулировку и ремонт, описанные здесь. По вопросу ремонта обращайтесь в авторизированный сервисный центр.
- Для замены струны используйте только нейлоновую струну, диаметр которой выбирается в соответствии с таблицей технических характеристик настоящего руководства.
- После удлинения режущей струны всегда возвращайте устройство в обычное рабочее положение перед запуском.
- После каждого использования протирайте изделие мягкой сухой тканью. В случае повреждения какой-либо детали необходимо обратиться в авторизованный сервисный центр для выполнения надлежащего ремонта или замены.
- Проверить все болты, задвижки, и винты, через короткие интервалы, на надлежащую плотность, чтобы убедиться, что оборудование находится в безопасном, рабочем состоянии.

БУДЬТЕ ВСЕГДА ОСТОРОЖНЫ

Даже когда изделие используют согласно инструкциям, невозможно полностью устранить факторы риска. При эксплуатации могут возникнуть следующие ситуации, которым пользователь должен уделять особое внимание, чтобы избежать проблем:

- Травмы, вызываемые вибрацией. Держите изделие только за предназначенные для этого ручки и соблюдайте рабочий режим.
- Воздействие шума может привести к повреждению слуха. Носите устройства защиты слуха и ограничивайте продолжительность шумового воздействия.
- Повреждение глаз летящим мусором. Обязательно носите устройства для защиты глаз.

СНИЖЕНИЕ РИСКА

Сообщалось, что вибрация ручных электроинструментов у отдельных лиц может способствовать состоянию, которое называется синдром Рейно. К симптомам могут относиться покалывание, онемение и побеление пальцев (как при переохлаждении). Считают, что наследственные факторы, охлаждение и влажность, диета, курение и практический опыт способствуют развитию этих симптомов. Ниже приводятся меры, которые может принять оператор для снижения воздействия вибрации:

- Одевайтесь теплее в холодную погоду. При эксплуатации изделия носите перчатки, чтобы сохранить руки и запястья в тепле. Считается, что холодная погода является основным фактором, способствующим возникновению болезни Рейно (Raynaud's Syndrome).
- После каждого этапа работы выполните упражнения для усиления кровообращения.
- Чаще делайте перерывы в работе. Сократите длительность ежедневного пребывания на открытом воздухе.

При появлении каких-либо из указанных симптомов сразу же прекратите работу и обратитесь по их поводу к врачу.

⚠ ОСТОРОЖНО

Слишком продолжительное использование инструмента может привести к травме. При использовании инструмента в течение длительного времени делайте регулярные перерывы.

ИЗУЧИТЕ УСТРОЙСТВО

См. стр. 131.

1. Задняя ручка
2. Кнопка деблокировки
3. Курковый выключатель
4. Передняя ручка
5. Привязной ремень
6. Верхний шток
7. Нижний вал
8. Защитное приспособление
9. Лезвие для отрезания струны
10. Режущая струна
11. Ударная головка
12. Кабель питания
13. Фиксатор шнура
14. Крышка шпульки
15. Шпулька
16. Отверстие

УСЛОВНЫЕ ОБОЗНАЧЕНИЯ НА ПРОДУКТЕ



Внимательно прочитайте все инструкции перед началом работы с продуктом, соблюдайте все предупреждения и инструкции по безопасности.



Используйте средства защиты органов зрения



Носите устройства защиты слуха.



Не используйте металлические лезвия при обслуживании устройства.



Не подвергайте инструмент воздействию дождя и не используйте в условиях повышенной влажности.



Извлеките вилку из розетки перед проведением технического обслуживания, или если шнур питания поврежден, порезан или запутан.



Помните об опасности, которую представляют собой отбрасываемые устройством или вылетающие из-под него предметы. Не допускайте приближения посторонних лиц, особенно детей и домашних животных к рабочей зоне ближе чем на 15 м



Держите свои руки подальше от режущей головки



Инструмент класса II, двойная изоляция



Отработанная электротехническая продукция должна уничтожаться вместе с бытовыми отходами. Утилизируйте, если имеется специальное техническое оборудование. По вопросам утилизации проконсультируйтесь с местным органом власти или предприятием розничной торговли.



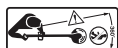
Украинский знак стандартизации



Настоящий инструмент отвечает всем официальным стандартам страны ЕС, в которой он был приобретен. Знак Евразийского Соответствия Сертификат Соответствия № TC RU C-DE.AE11.B.04143 Срок действия Сертификата Соответствия По 09.08.2020 АНО Экспертизы и контроля качества – Центр сертификации «Евро-Тест» 109147 РФ, город Москва, улица Малая Калитниковская дом 7



Гарантируемый уровень звуковой мощности составляет 96 дБ.



Помните об опасности, которую представляют собой отбрасываемые устройством или вылетающие из-под него предметы.

Держите наблюдателей на безопасном расстоянии далеко от машины.

УСЛОВНЫЕ ОБОЗНАЧЕНИЯ В ДАННОМ РУКОВОДСТВЕ.



Подключение к сетевой розетке.



Отсоединение от сетевой розетки.



Детали или принадлежности, приобретаемые отдельно



Примечание



Осторожно

Следующие сигнальные слова и значения предназначены, чтобы объяснить уровни риска, связанного с этим изделием.

ОПАСНО

Указывает неизбежно опасную ситуацию, которая, если не избежать, кончится смертельным или серьезным ущербом.

ОСТОРОЖНО

Указывает потенциально опасную ситуацию, которая, если не избежать, может кончатся смертельным или серьезным ущербом.

ПРЕДОСТЕРЕЖЕНИЕ

Указывает потенциально опасную ситуацию, которая, если не избежать, может кончатся малым или уменьшенным ущербом.

ПРЕДОСТЕРЕЖЕНИЕ

Употребляется без предупреждающего знака

Указывает на ситуацию, которая может привести к повреждению имущества.

ТРАНСПОРТИРОВКА:

Категорически не допускается падение и любые механические воздействия на упаковку при транспортировке.

При разгрузке/погрузке не допускается использование любого вида техники, работающей по принципу зажима упаковки.

ХРАНЕНИЕ:

Необходимо хранить в сухом месте.

Необходимо хранить вдали от источников повышенных температур и воздействия солнечных лучей.

При хранении необходимо избегать резкого перепада температур.

Хранение без упаковки не допускается.

СРОК СЛУЖБЫ ИЗДЕЛИЯ:

Срок службы изделия составляет 5 лет.

Не рекомендуется к эксплуатации по истечении 5 лет хранения с даты изготовления без предварительной проверки.

Дата изготовления (код даты) отштампован на поверхности корпуса изделия.

Пример:

W17 Y2015, где Y2015 - год изготовления

W17 – неделя изготовления

Определить месяц изготовления можно согласно приведенной ниже таблице, на примере 2015 года.

Обратите внимание! Количество недель в месяце различается от года в год.

Месяц	Январь	Февраль	Март	Апрель	Май	Июнь	Июль	Август	Сентябрь	Октябрь	Ноябрь	Декабрь	Год
Неделя	01	05	09	14	18	22	27	31	36	40	44	49	2015
	02	06	10	15	19	23	28	32	37	41	45	50	
	03	07	11	16	20	24	29	33	38	42	46	51	
	04	08	12	17	21	25	30	34	39	43	47	52	
	05	09	13	18	22	26	31	35	40	44	48	53	
		14			27								

Bezpieczeństwo, wydajność oraz niezawodność zostały potraktowane jako główny priorytet przy opracowywaniu elektrycznej podkaszarki żyłkowej/podkaszarki do obrzeży.

PRZEZNACZENIE

Produkt jest przeznaczony do użytku wyłącznie na zewnątrz pomieszczeń przy obsłudze na stojąco przez idącego operatora.

Produkt jest przeznaczony do cięcia trawy, lekkich chwastów oraz wszelkich podobnych roślin na poziomie ziemi. Płaszczyzna cięcia powinna być jak najbardziej równoległa do powierzchni gruntu.

Urządzenia nie należy używać do docinania żywoptłotów, krzewów lub innych roślin w przypadkach, gdy płaszczyzna koszenia nie jest równoległa do płaszczyzny gruntu.

OGÓLNE OSTRZEŻENIA DOTYCZĄCE BEZPIECZEŃSTWA

⚠ OSTRZEŻENIE

Podczas używania tego urządzenia należy przestrzegać odpowiednich zasad bezpieczeństwa. Aby zapewnić bezpieczeństwo sobie i osobom postronnym, przed przystąpieniem do użytkowania urządzenia należy zapoznać się z niniejszą instrukcją. Należy zachować te instrukcje do wykorzystania w przyszłości.

⚠ OSTRZEŻENIE

Produkt ten nie jest przeznaczony do użytkowania przez dzieci lub osoby o ograniczonych zdolnościach fizycznych, umysłowych lub sensorycznych. Należy dopilnować, aby dzieci nie bawiły się produktem.

⚠ OSTRZEŻENIE

W niektórych regionach obowiązują przepisy ograniczające używanie produktu. Informacje na ten temat można uzyskać w lokalnych urzędach.

SZKOLENIE

■ Nigdy nie wolno pozwalać obsługiwać tego produktu dzieciom ani osobom nieznanym tych instrukcji. Przepisy lokalne mogą ograniczać dopuszczalny

wiek operatora.

- Przeczytać uważnie wszystkie instrukcje. Należy zapoznać się z przyrządami sterowania oraz zasadami prawidłowej obsługi produktu.
- Osoby postronne, dzieci i zwierzęta muszą znajdować się w odległości przynajmniej 15 metrów od miejsca pracy. Jeśli na obszarze znajduje się inna osoba, należy zatrzymać produkt.
- Nigdy nie wolno używać produktu, gdy użytkownik jest zmęczony lub pod wpływem alkoholu, narkotyków lub leków.
- Należy pamiętać, że operator lub użytkownik jest odpowiedzialny za spowodowanie wypadku lub zagrożenia bezpieczeństwa osób i mienia.

ZASADY BEZPIECZEŃSTWA DOTYCZĄCE OBSŁUGI URZĄDZEŃ ELEKTRYCZNYCH

- Wtyczka musi pasować do gniazda elektrycznego. Nie wolno modyfikować wtyczek w żaden sposób. Nie wolno używać żadnych przejściówek do podłączania urządzeń posiadających przewód zasilania z uziemieniem. Stosowanie oryginalnych wtyczek i dopasowanych gniazd sieciowych zmniejsza ryzyko porażenia prądem.
- Unikać możliwości przypadkowego uruchomienia urządzenia. Przed podłączeniem urządzenia do zasilania należy sprawdzić, czy przełącznik znajduje się w położeniu Off (Wył.). Nie wolno przenosić podłączonego do prądu urządzenia trzymając palec na wyłączniku.
- Unikać kontaktu ciała z powierzchniami uziemionymi lub podłączonymi do bieguna zerowego, np. rury, instalacje grzewcze i chłodnicze. Kontakt ciała z masą lub uziemieniem zwiększa ryzyko porażenia prądem.
- Nie używać produktu, jeśli spodziewane są wyładowania atmosferyczne.
- Nie narażać tego produktu na działanie deszczu lub wody. Woda dostająca się do urządzenia stwarza zagrożenie porażenia prądem.
- Urządzenie powinno być zasilane przez wyłącznik różnicowo-prądowy (RCD), o prądzie zadziałania nie większym niż 30 mA.
- Przed każdym użyciem należy sprawdzić, czy przewód zasilający nie jest uszkodzony. W przypadku oznak uszkodzenia, należy

zlecić wymianę przez wykwalifikowanego technika serwisowego. Zawsze należy rozwijać zwinięty przewód zasilający podczas użycia, ponieważ zwinięte przewody mogą się przegrzać.

- Jeśli konieczne jest użycie przedłużacza, należy upewnić się, że nadaje się on do stosowania na zewnątrz pomieszczeń oraz że ma parametry (moc podłączonych urządzeń) umożliwiające podłączenie danego produktu. Przedłużacz powinien mieć oznaczenie „H05 RN-F” lub „H05VV-F”. Sprawdzić przed każdym użyciem, czy nie ma uszkodzeń. Przedłużacz zawsze należy rozwijać podczas użytkowania, ponieważ zwinięte kable mogą ulec przegrzaniu. Nie wolno naprawiać uszkodzonych przedłużaczy. Należy wymienić je na produkt o takich samych parametrach.
- Nie używać produktu w przypadku uszkodzenia lub zużycia przewodu zasilającego. Przed każdym użyciem należy sprawdzić, czy przewód zasilający nie jest uszkodzony. Przedłużacz zawsze należy rozwijać podczas użytkowania, ponieważ zwinięte kable mogą ulec przegrzaniu.
- W przypadku, gdy podczas pracy dojdzie do uszkodzenia przewodu zasilającego lub przedłużacza, urządzenie należy niezwłocznie odłączyć od zasilania. Nie dotykać przewodów elektrycznych dopóki urządzenie jest podłączone do zasilania.
- Należy upewnić się, że przewód zasilający jest umieszczony w taki sposób, że nie można go uszkodzić poprzez przecięcie, nie zostanie nadepnięty, zaczepiony lub uszkodzony lub narażony w inny sposób.
- Nie podnosić ani nie przenosić produktu za przewód elektryczny.
- Nie ciągnąć za przewód zasilania w celu wyjęcia wtyczki z gniazda.
- Przewód zasilania trzymać z dala od źródeł ciepła, oleju i ostrych krawędzi.
- Należy upewnić się, że produkt jest zasilany odpowiednim napięciem. Napięcie zasilania tego produktu podano na tabliczce znamionowej. Nie podłączać urządzenia do zasilania prądem AC o napięciu innym niż znamionowe.
- Upewnić się, że przełącznik znajduje się w położeniu Off (Wyt.) przed odłączeniem urządzenia od zasilania.

PRZYGOTOWANIE

- Należy nosić pełne zabezpieczenie oczu i uszu podczas obsługi produktu. W przypadku pracy w miejscu, gdzie występuje ryzyko spadających przedmiotów, należy nosić kask.
- Środki ochrony słuchu mogą ograniczyć zdolność operatora do usłyszenia dźwięków ostrzegawczych. W związku z tym należy zachować szczególną ostrożność na miejscu pracy oraz w jego pobliżu.
- Założyć grube, długie spodnie, wysokie buty i rękawice. Nie należy nosić luźnego ubrania, krótkich spodenek, biżuterii oraz nie chodzić boso.
- Długie włosy należy związać, aby znajdowały się powyżej ramion i aby nie zostały pochwycone przez maszynę.
- Przed użyciem oraz po jakimkolwiek uderzeniu należy sprawdzić, czy żadna część nie jest uszkodzona. Uszkodzony przełącznik lub inna uszkodzona lub zużyta część muszą być odpowiednio naprawione lub wymienione przez autoryzowany punkt serwisowy.
- Należy upewnić się, że głowica tnąca jest prawidłowo zainstalowana i dobrze zamocowana.
- Nigdy nie wolno używać produktu, jeśli jakakolwiek osłona, deflektor lub uchwyt nie są prawidłowo i dobrze zamocowane.
- Należy uwzględnić warunki otoczenia, w którym mają być wykonywane prace. Na miejscu pracy nie mogą znajdować się druty, przewody, patyki, kamienie ani gruz, ponieważ w przypadku uderzenia przez nóż mogą zostać odrzucone.

OSTRZEŻENIA DOTYCZĄCE BEZPIECZNEJ OBSŁUGI PODKASZARKI

- Nie wolno zezwalać ani dzieciom, ani osobom dorosłym nie zaznajomionym z tym podręcznikiem na obsługę tego produktu.
- Produkt należy używać przy świetle dziennym lub przy dobrym oświetleniu sztucznym.
- Unikać używania urządzenia do mokrej trawy.
- Podczas używania produktu nie należy chodzić do tyłu.
- Stać stabilnie, zachowując równowagę. Nie

sięgać zbyt daleko. Sięganie zbyt daleko grozi utratą równowagi. Zawsze należy zwracać uwagę na odpowiednie oparcie stóp na zboczach i zawsze należy chodzić, nigdy biegać.

- Osoby postronne, dzieci i zwierzęta muszą znajdować się w odległości przynajmniej 15 metrów od miejsca pracy. Jeśli na obszarze znajduje się inna osoba, należy zatrzymać produkt.
- Głowica tnąca musi znajdować się poniżej linii pasa.
- Nie używać produktu z uszkodzonymi osłonami lub bez założonych osłon.
- Nie wolno zastępować żyłki linką metalową.
- Trzymać dłonie i stopy z dala od elementów tnących przez cały czas pracy, a szczególnie podczas uruchamiania silnika.
- Uwaga: ostrza nadal obracają się po wyłączeniu silnika.
- Należy zwrócić uwagę na obiekty odrzucane przez elementy tnące. Przed rozpoczęciem pracy należy usunąć małe kamienie, gruz oraz inne obce obiekty z miejsca pracy. Druły lub sznurki mogą zostać pochwycone przez przyrząd tnący.
- Wyłączyć zasilanie i wyjąć wtyczkę z gniazda sieciowego przed następującymi czynnościami:
 - serwisowanie
 - pozostawianie produktu bez nadzoru
 - czyszczenie produktu lub usuwanie zablokowanego obiektu
 - wymiana akcesoriów
 - kontrola uszkodzeń po uderzeniu obiektu
 - kontrola uszkodzeń w przypadku, gdy produkt wpada w nietypowe drgania
 - konserwacja
- Małe ostrze zamocowane na osłonie do koszenia umożliwia docinanie świeżo rozwiniętej żyłki na odpowiedniej długości w celu zapewnienia optymalnej pracy. Jest ono bardzo ostre. Nie należy dotykać go szczególnie podczas czyszczenia narzędzia.
- Otwory wentylacyjne należy utrzymywać w stanie wolnym od zanieczyszczeń.
- Należy upewnić się, że głowica tnąca jest prawidłowo zainstalowana i dobrze zamocowana.
- Upewnić się, że wszystkie elementy zabezpieczające, osłony i uchwyty są

prawidłowo i bezpiecznie zamocowane.

- Nie należy w żaden sposób modyfikować produktu. Może to spowodować większe ryzyko obrażeń ciała operatora lub innych osób.
- Należy stosować wyłącznie żyłkę tnącą producenta. Nie używaj żadnych innych akcesoriów tnących.
- Natychmiast wyłączyć i odłączyć od sieci, gdy w razie wypadku lub awarii. Nie należy ponownie używać produktu, dopóki nie jest w pełni sprawdzone przez autoryzowanego serwisu.

TRANSPORT I PRZECHOWYWANIE

- Przed schowaniem lub transportem produktu należy zatrzymać go i odczekać, aż ostygnie.
- Usunąć z produktu wszelkie zanieczyszczenia. Należy przechowywać urządzenie w chłodnym, suchym i dobrze wentylowanym miejscu, które jest niedostępne dla dzieci. Nie chowajcie jej w pobliżu czynników żrących, takich jak ogrodowe produkty chemiczne czy sole odmrażające. Nie przechowywać na zewnątrz.
- Przed odłożeniem urządzenia w miejsce przechowywania, należy je odłączyć od zasilania i zwinąć przewód zasilający.
- W przypadku transportu produktu należy zabezpieczyć go przed przemieszczaniem się lub upadkiem, aby nie dopuścić do obrażeń ciała lub uszkodzenia urządzenia.

KONSERWACJA

⚠ OSTRZEŻENIE

Należy stosować wyłącznie oryginalne części zamienne, akcesoria oraz przystawki producenta. W przeciwnym razie może dojść do obrażeń ciała, niskiej wydajności oraz do unieważnienia gwarancji.

⚠ OSTRZEŻENIE

Serwisowanie wymaga wyjątkowej staranności i wiedzy. Może być wykonywane wyłącznie przez wykwalifikowany personel serwisowy. W celu naprawy zaleca się oddać kosiarkę do najbliższego autoryzowanego punktu serwisowego. Do napraw używać wyłącznie identycznych zamienników.

- Wyłączyć i odłączyć od źródła zasilania przed podjęciem prac konserwacyjnych lub czyszczenia.
- Możesz wykonywać czynności regulacyjne i naprawcze opisane tutaj. W przypadku innych napraw należy skontaktować się autoryzowanym punktem serwisowym.
- Do wymiany należy stosować wyłącznie nylonowej ciągłej żyłki o średnicy podanej w tabeli specyfikacji w tej instrukcji.
- Po wyciągnięciu nowej żyłki tnącej, zawsze przed włączeniem urządzenia należy ustawić je w normalnym położeniu roboczym.
- Po każdym użyciu należy wyczyścić produkt miękką, suchą szmatką. Każdą uszkodzoną część należy odpowiednio naprawić lub wymienić w autoryzowanym punkcie serwisowym.
- Systematycznie sprawdzać, czy wszystkie nakrętki, wkręty i śruby są dobrze dokręcone, aby upewnić się, że kosiarka jest w bezpiecznym stanie.

RYZIKO ZWIĄZANE Z UŻYTKOWANIEM

Nawet jeśli produkt jest używany zgodnie z zaleceniami, nadal nie jest możliwe wyeliminowanie określonych czynników ryzyka. Następujące zagrożenia mogą wystąpić podczas używania urządzenia i operator powinien zwracać szczególną uwagę na poniższe punkty:

- Urazy ciała spowodowane przez wibracje. Należy trzymać produkt za odpowiednie uchwyty oraz stosować się do zaleceń dotyczących czasu pracy i narażenia.
- Narażenie na hałas może spowodować utratę słuchu. Należy nosić środki ochrony uszu oraz ograniczyć poziom narażenia.
- Występuje ryzyko spowodowane odrzucanymi obiektami. Stosować przez cały czas środki ochrony oczu.

OGRANICZENIE RYZYKA

Znane są przypadki wywołania u niektórych osób objawu Raynauda spowodowanego wibracjami produktu. Typowe objawy to mrowienie, drętwienie i blednięcie palców, widoczne zwykle po wystawieniu na działanie zimna. Uważa się, że czynniki dziedziczne, wystawienie na działanie zimna i wilgoci, dieta, palenie papierosów i przyjęte zwyczaje przyczyniają się do rozwoju tych objawów. Istnieją środki zaradcze, które może podjąć

operator narzędzia, aby zmniejszyć efekt wibracji:

- Zadbaj w niskich temperaturach o ciepłotę własnego ciała, zakładając odpowiednie ubranie. Podczas obsługi produktu należy nosić rękawice, aby dłonie i nadgarstki były ciepłe. Wiadomo, że niskie temperatury są główną przyczyną powstawania objawu Raynauda.
- Podczas przerw w pracy należy wykonywać ćwiczenia poprawiające krążenie krwi..
- Podczas pracy robić częste przerwy. Ograniczyć ekspozycję w ciągu dnia.

W razie doświadczenia dowolnego z wymienionych objawów, należy niezwłocznie zaprzestać użytkowania tego urządzenia i skontaktować się z lekarzem.

⚠ OSTRZEŻENIE

Długotrwałe użytkowanie narzędzia może spowodować obrażenia ciała lub nasilić dolegliwości zdrowotne. W przypadku używania narzędzia przed dłuższy czas należy pamiętać o regularnych przerwach.

ZAPOZNAJ SIĘ ZE SWOIM PRODUKTEM

Patrz str. 131.

1. Tylny uchwyt
2. Przycisk wyłączania blokady
3. Przycisk uruchamiający
4. Przedni uchwyt
5. Uprząż
6. Górny wał
7. Dolny wałek
8. Osłona zabezpieczająca
9. Ostrze do przycinania żyłki
10. Cutting line
11. Głowica odbojnikowa
12. Przewód zasilania
13. Uchwyt przewodu
14. Osłona szpuli
15. Szpula
16. Przelotka

SYMBOLE PRODUKTU



Należy przeczytać i zrozumieć wszystkie instrukcje przed rozpoczęciem obsługi produktu oraz przestrzegać wszystkich ostrzeżeń i instrukcji dotyczących bezpieczeństwa.



Zakładać środki ochrony wzroku i słuchu.



Należy stosować środki ochrony słuchu.



Nie należy montować w produkcie metalowych ostrzy.



Nie wystawiać urządzenia na działanie deszczu ani nie używać w miejscach o dużej wilgotności.



Przed rozpoczęciem czynności konserwacyjnych lub jeśli przewód jest uszkodzony, przecięty lub splątany, należy odłączyć wtyczkę od źródła zasilania.



Uwaga na odrzucane przedmioty. Wszystkie osoby postronne, a szczególnie dzieci i zwierzęta, muszą znajdować się w odległości przynajmniej 15 metrów od miejsca pracy.



Nie zbliżać rąk do ostrza tnącego.



Narzędzie klasy II, podwójna izolacja



Zużyte produkty elektryczne nie powinny być utylizowane z odpadami domowymi. Prosimy poddawać recyklingowi w odpowiednich miejscach. Informacje o właściwych metodach recyklingu można uzyskać u władz lokalnych lub sprzedawcy.



Ukrainian mark of conformity



Narzędzie to spełnia wymogi wszystkich norm reglamentacji kraju UE, w którym było ono zakupione.



Znak zgodności EurAsian



Maksymalny poziom natężenia hałasu wynosi 96 dB.



Uwaga na odrzucane przedmioty. Osoby postronne należy utrzymywać w bezpiecznej odległości od urządzenia.

SYMBOLE W TYM PODRĘCZNIKU



Podłączyć do gniazda zasilania.



Odłączyć z gniazda zasilania.



Części lub akcesoria sprzedawane oddzielnie



Objaśnienie



Warning

Poniższe symbole i nazwy które im nadano, pozwalają wyjaśnić różne poziomy ryzyka związanego z używaniem tego narzędzia.

⚠ NIEBEZPIECZEŃSTWO

Wskazuje na realne zagrożenie, które może spowodować śmierć lub poważne zranienie, jeżeli się nie uniknie tego niebezpieczeństwa.

⚠ OSTRZEŻENIE

Wskazuje na potencjalne zagrożenie, które może spowodować śmierć lub poważne zranienie, jeżeli się nie uniknie tego niebezpieczeństwa.

⚠ UWAGA

Wskazuje na potencjalne zagrożenie, które może spowodować mniejsze lub bardziej poważne zranienie, jeżeli się nie uniknie tego niebezpieczeństwa.

UWAGA

Bez symbolu ostrzeżenia
Sytuacja, która może grozić uszkodzeniem mienia.

Bezpečnost, výkonnost a spolehlivost získali nejvyšší prioritu při návrhu vaší elektrické strunové sekačky.

ZAMÝŠLENÉ POUŽITÍ

Tento výrobek je určen pouze pro venkovní používání stojící obsluhou jdoucí s výrobkem. Výrobek je navržen pro sečení trávy, měkkého plevele a další podobné vegetace na úrovni nebo v blízkosti úrovně země. Rovina řezu by měla být víceméně rovnoběžně s plochou země.

Výrobek se nesmí používat pro stříhání či úpravu živého plotu, keřů nebo jiné vegetace, kde rovina řezu není rovnoběžně s plochou země.

VŠEOBECNÁ BEZPEČNOSTNÍ VAROVÁNÍ

▲ VAROVÁNÍ

Při používání výrobku musí být dodrženy bezpečnostní předpisy. Pro vaši vlastní bezpečnost i bezpečnost kolemjdoucích si přečtete tento návod k obsluze. Uchovejte si prosím bezpečnostní pokyny pro budoucí použití.

▲ VAROVÁNÍ

Tento nástroj není určen pro používání osobami, včetně dětí, pokud jsou jejich fyzické, pohybové nebo mentální schopnosti sníženy. Dohlédněte, aby si děti se spotřebičem nehrály.

▲ VAROVÁNÍ

Místní předpisy mohou omezovat použití výrobku. Ověřte si u svého orgánu místní správy toto nařízení.

ZAŠKOLENÍ

- Nenechte děti nebo osoby neseznámené s těmito pokyny pracovat s výrobkem. Místní předpisy mohou omezovat dobu obsluhy.
- Návod si pečlivě přečtete. Seznamte se všemi ovládaními a řádným používáním výrobku.
- Všechny přihlízející, zvláště děti a zvířata udržujte 15m mimo pracovní oblasti.

Zastavte výrobek, pokud někdo vstoupí do pracovního prostoru výrobku.

- Výrobek nepoužívejte, pokud jste unavení, nemocní nebo pod vlivem drog, alkoholu či léků.
- Uživatel nebo obsluha tohoto zahradnického nástroje je zodpovědná za nehody nebo nebezpečí způsobená na jiné osobě nebo jejich majetku.

ELEKTRICKÁ BEZPEČNOST

- Elektrické zástrčky musí být shodné s elektrickou zásuvkou. Nepokoušejte se zástrčku jakýmkoliv způsobem upravovat. Nepoužívejte žádný adaptér zástrček se zemněným (uzemněným) elektricky poháněným nástrojem. Neupravené zástrčky a shodné zásuvky snižují nebezpečí elektrického úrazu.
- Zabraňte náhodnému spuštění. Před zapojením zařízení do sítě vždy zkontrolujte, zda je vypínač v poloze Off (Vyp.). Nenoste zapojených nástroj s prstem na spínači.
- Předcházejte tělesnému kontaktu s uzemněnými nebo zemněnými povrchy, například trubkami, radiátory, sporáky a lednicemi. Je zde zvýšené nebezpečí zásahu elektrickým proudem, pokud je vaše tělo zemněno nebo uzemněno.
- Neprovazujte zařízení, pokud hrozí nebezpečí bouřek a blesků.
- Nevystavujte tento přístroj dešti nebo vlhkým podmínkám. Voda vnikající do zařízení zvyšuje nebezpečí elektrického úrazu.
- Elektrické zařízení musí být napájeno přes proudový chránič s reziduálním proudem nepřesahujícím 30 mA.
- Před každým použitím zkontrolujte napájecí kabel na poškození. Jestliže se objeví známky poškození, výměnu musí provést kvalifikovaný servisní technik. Během používání kabel plně rozviňte, smotaný kabel se může přehřívat.
- Pokud potřebujete použít prodlužovací kabel, ujistěte se, že je vhodný pro venkovní použití a má dostatečnou proudovou kapacitu pro napájení výrobku. Prodlužovací kabel by měl být označen buď „H05 RN-F“ nebo „H05VV-F“. Před každým použitím vizuálně prohlédněte na poškození. Během používání prodlužovací kabel plně rozviňte, smotaný kabel se

může přehřívát. Poškozené napájecí kabely se nesmí opravovat, vždy vyměňte za stejný typ.

- Výrobek nepoužívejte, pokud jsou elektrické kabely poškozené nebo opotřebené. Před každým použitím zkontrolujte napájecí kabel na poškození. Během používání prodlužovací kabel plně rozviňte, smotaný kabel se může přehřívát.
- Dojde-li během používání k poškození napájecího nebo prodlužovacího kabelu, zařízení odpojte ihned od elektrické sítě. Nedotýkejte se elektrických kabelů, dokud není napájecí kabel odpojen od sítě.
- Ujistěte se, zda je kabel umístěn tak, aby se nepoškodil, tedy aby se po něm nešlapalo, neklopýtalo se o něj a aby nebyl jiným způsobem vystaven možnému poškození či namáhání.
- Nikdy výrobek nezvedejte ani nepřenášejte uchopením za elektrický kabel.
- Nikdy netahejte za napájecí kabel, chcete-li jej odpojit od elektrické sítě.
- Udržujte kabel mimo horké plochy, olej a ostré hrany.
- Zkontrolujte, zda je napětí napájecí soustavy vhodné pro výrobek. Štítek s názvem výrobku udává pracovní napětí zařízení. Nikdy nepřipojujte produkt ke střídavému napětí, které se liší od tohoto napětí.
- Před odpojením od napájení se ujistěte, že je vypínač v poloze Off (Vyp.).

PŘÍPRAVA

- Při práci s výrobkem používejte kompletní ochranu zraku a sluchu. Noste ochrannou helmu, kde hrozí nebezpečí pádu předmětů.
- ochrana sluchu může zabraňovat obsluze slyšet varovné zvuky, buďte tedy opatrní – okolo a v pracovní oblasti jsou možná nebezpečí.
- Noste silné dlouhé kalhoty, boty a rukavice. Nenoste volné oděvy, krátké kalhoty, jakékoli šperky; nebuďte při práci bosí.
- Dlouhé vlasy si svažte nad rameny, aby se nemohly zaplést do pohyblivých částí.
- Před prací s nástrojem a po nárazu zkontrolujte možné poškození dílů. Pokud je spínač nebo nějaká část poškozena či opotřebená, musí se řádně opravit nebo vyměnit pověřeným servisním střediskem.

- Zkontrolujte, zda je sekací doplněk řádně nainstalován a bezpečně upevněn.
- Nikdy výrobek neprovozujte, dokud nejsou všechny chrániče, vodičí plechy a rukojetě řádně a bezpečně připojeny.
- Berte ohled na prostředí, ve kterém pracujete. Z pracovní oblasti odstraňujte dráty, kameny a předměty, které po styku s nástrojem mohou být odmrštěny.

BEZPEČNOSTNÍ VAROVÁNÍ K STRUNOVÉ SEKAČCE

- Nenechte děti nebo osoby neseznámené s těmito pokyny pracovat s výrobkem.
- Používejte ve výrobek dne nebo v dobrém umělém osvětlení.
- Nepoužívejte na mokrou trávu.
- Nechoďte pospět, když výrobek používáte.
- Udržujte bezpečné postavení a rovnováhu. Nepřeceňujte se. Přeceňování může způsobit ztrátu rovnováhy. Vždy na svazích zabezpečte své pevné postavení a chodte, neběhejte.
- Všechny přihlízející, zvláště děti a zvířata udržujte 15 m mimo pracovní oblasti. Zastavte výrobek, pokud někdo vstoupí do pracovního prostoru výrobku.
- Používejte sekací doplněk pod úrovní pasu.
- Nikdy nepoužívejte výrobek s poškozenými ochrannými kryty nebo bez správně nainstalovaných krytů.
- Nikdy neměňte za kovovou sekací šňůru.
- Mějte ruce i nohy vždy mimo oblast sekání, obzvláště, když zapínáte motor.
- Pozor, žací prvky rotují i po vypnutí motoru.
- Vyhýbejte se při sekání odmršťování předmětů. Odstraňte z pracovní oblasti předměty jako malé kameny, štěrk a další cizí předměty před započetím práce. Do žacího nástroje se mohou namotat dráty nebo struna.
- Přístroj vypněte a odpojte od napájení v následujících situacích:
 - servis
 - ponechání výrobku bez dozoru
 - čištění výrobku nebo odstranění ucpávků
 - výměna příslušenství
 - kontrola případného poškození po nárazu do předmětu
 - kontrola případného poškození, pokud

začne výrobek nezvykle vibrovat

- provádění údržby
- Malý nůž upevněný na sekačce trávy je navržen pro oříznutí nově natažené struny na správnou délku pro bezpečný a optimální výkon. Je velmi ostrý, nedotýkejte se, zejména, když čistíte nástroj.
- Vždy zajistěte, aby ventilační otvory nebyly ničím zataraseny.
- Zkontrolujte, zda je sekací doplněk řádně nainstalován a bezpečně upevněn.
- Ujistěte se, že jsou všechny ochranné kryty, vodící plechy a rukojeti správně a bezpečně nasazeny.
- Výrobek nijak neupravujte, může to zvýšit nebezpečí poranění jak sebe samého, tak i ostatních.
- Používejte pouze náhradní žací strunu od výrobce. Nepoužívejte žádné jiné sekací nástavec.
- Okamžitě vypnout a odpojit od sítě, jakmile v případě nehody nebo poruchy. Neprovozujte výrobek znovu, dokud je to úplně zkontrolovat autorizovaném servisním středisku.

TRANSPORT A SKLADOVÁNÍ

- Před skladováním a transportem nechejte výrobek vždy zastavit a vychladnout.
- Odstraňte z výrobku všechny cizí materiály. Ukládejte v chladných, suchých a dobře větraných prostorech, které nejsou přístupné dětem. Nářadí neuskładňujte v blízkosti žíravých látek, jako například v blízkosti zahradkářských nebo zahradnických chemických přípravků nebo solí na zimní sypaní komunikací. Neskladujte mimo budovu.
- Před uskladněním vždy zařízení odpojte od sítě a kabel sviňte.
- Při transportu výrobku zajistěte proti pohybum nebo pádu, abyste zabránili poranění osob nebo poškození výrobku.

ÚDRŽBA

⚠ VAROVÁNÍ

Používejte pouze originální příslušenství, doplňky a náhradní díly výrobce. Zanedbání může zapříčinit možné poranění, slabý výkon a může dojít ke ztrátě záruky.

⚠ VAROVÁNÍ

Údržba vyžaduje extrémní péči a znalosti a měla by být prováděna pouze kvalifikovaným servisním technikem. Pro údržbu nebo servis doporučujeme výrobek vrátit do nejbližšího pověřeného opravárenského střediska. Pokud opravujete, používejte pouze stejné náhradní díly.

- Před seřizováním nebo čištěním vypněte a odpojte z elektrické zásuvky.
- Můžete provádět zde uvedené opravy a seřízení. Další opravy se smí provádět pouze u pověřených servisních prodejců.
- Při výměně struny používejte pouze monožilní strunu o průměru dle tabulky technických údajů v návodu.
- Po natažení nové žací struny vždy výrobek vracejte do normální provozní polohy, než jej znovu použijete.
- Po každém použití seřete nástroj měkkým a suchým hadříkem. Jakýkoliv poškozený díl je nutné správně opravit nebo nechat vyměnit v autorizovaném servisním středisku.
- Zkontrolujte všechny šrouby, matice v častých intervalech na řádné utažení, aby se zajistilo, že zařízení bude pracovat v bezpečných pracovních podmínkách.

ZBYTKOVÁ RIZIKA

Dokonce, i když se výrobek provozuje jak je předepsáno, je stále nemožné zcela eliminovat veškeré zbytkové rizikové faktory. Následující nebezpečí mohou nastat při používání; vyhybte se:

- Poranění způsobené vibracemi. Držte výrobek za rukojetě určené k držení a práci provádějte po omezenou dobu.
- Vystavování hluku může způsobit poškození sluchu. Noste ochranu sluchu a omezte vystavení.
- Poranění zraku odletujícím materiálem. Vždy noste adekvátní ochranu zraku.

SNÍŽENÍ RIZIKA

Bylo zjištěno, že vibrace z ručních pracovních nástrojů mohou u některých osob přispívat ke stavu tzv. Raynaud's Syndrome (Raynaudovu syndromu). Mezi jeho příznaky patří brnění, necitlivost a zbledení prstů, patrné obvykle

po pobytu v chladu. Vědci se domnívají, že k rozvinutí těchto příznaků přispívají dědičné faktory, pobyt v chladu a vlhku, strava, kouření a pracovní návyky. Uživatel může omezit případné působení vibrací použitím vhodných opatření:

- Za chladného počasí se teple oblečte. Při práci s výrobkem si navlečnete rukavice, abyste udrželi ruce a zápěstí v teple. Bylo zjištěno, že chladné počasí je hlavním faktorem přispívajícím k Raynaud's Syndromu (Raynaudovu syndromu).
- Během práce si v pravidelných intervalech zacvičte, abyste zvýšili krevní oběh.
- Zařazujte časté pracovní přestávky. Omezte dobu práce za den.

Jakmile pocítíte některý z výše uvedených příznaků tohoto syndromu, okamžitě přerušte práci a vyhledejte lékaře.

▲ VAROVÁNÍ

Poranění mohou být způsobena, či zhoršena, prodlouženým používáním nástroje. Když používáte jakýkoliv nástroj delší dobu, dělejte pravidelné přestávky.

POZNEJTE SVŮJ NÁSTROJ

Viz strana 131.

1. Zadní rukojeť
2. Odjišťovací tlačítko
3. Spoušť
4. Přední rukojeť
5. Popruhy
6. Horní násada
7. Spodní násada
8. Ochranný kryt
9. Řezací nůž struny
10. Žací struna
11. Nárazová hlava
12. Napájecí kabel
13. Přidržovač kabelu
14. Kryt cívky
15. Cívka
16. Oko

SYMBOLY NA VÝROBKU



Řádně si návod přečtete, porozumíte veškerým pokynům a dodržíte všechny bezpečnostní pokyny a bezpečnostní varování.



Noste ochranu očí.



Noste ochranu sluchu.



Nepoužívejte na výrobku kovové nože(nůž).



Nevystavujte dešti nebo nepoužívejte ve vlhkých podmínkách.



Vyndejte ihned zástrčku z elektrické zásuvky, jakmile zjistíte poškození, pořezání nebo zamotání.



Dávejte pozor na odmrštěné nebo odletující předměty. Všechny přihlízející, zvláště děti a zvířata udržujte ve vzdálenosti alespoň 15m od pracovní oblasti.



Udržujte ruce mimo odřezávací nůž



Zařízení třídy II, dvojitě izolováno



Odpad elektrických výrobků ne smí likvidovat v domovním odpadu. Recyklujte prosím na sběrných místech. Ptejte se u místních úřadů nebo prodejce na postup při recyklaci.



Ukrajinská značka shody



Toto nářadí je v souladu se všemi normami a předpisy platnými v zemi EU, ve které bylo zakoupeno.



Euroasijská značka shody








Zaručená hladina akustického výkonu je 96 dB.



Dávejte pozor na odmrštěné nebo odletující předměty. Přihlízející udržujte v bezpečné vzdálenosti.

SYMBOLY V NÁVODU

-  Zapojení do elektrické zásuvky.
-  Odpojení od elektrické sítě.
-  Díly nebo příslušenství jsou v prodeji samostatně
-  Poznámka
-  Varování

Následující signální slova a významy jsou vhodné pro vysvětlení úrovní nebezpečí spojených s tímto výrobkem.

NEBEZPEČÍ

Označuje bezprostředně rizikovou situaci, které je třeba předejít, jinak bude jejím následkem smrt nebo vážné zranění.

VAROVÁNÍ

Označuje možnou rizikovou situaci, které je třeba předejít, jinak jejím následkem může být smrt nebo vážné zranění.

VAROVÁNÍ

Označuje možnou rizikovou situaci, které je třeba předejít, jinak jejím následkem může být smrt nebo vážné zranění.

VAROVÁNÍ

Bez symbolu bezpečnostní výstrahy

Určuje situaci, která může mít za následek vážné poškození.



A(z) elektromos szegélynyíró tervezésekor a biztonság, a teljesítmény és a megbízhatóság voltak a legfontosabb szempontok.

RENDELTETTÉSSZERŰ HASZNÁLAT

A termék csak kültéri, a termékkel együtt mozgó kezelő általi használatra készült.

A termék fű, gaz és más hasonló növényzet talajszinten való vágására alkalmas. A vágás síkjának nagyjából párhuzamosnak kell lennie a talajfelszínnel.

A termék nem használható sövények, bokrok vagy más olyan növény vágására vagy nyesésére, ahol a vágás síkja nem párhuzamos a talajfelszínnel.

ÁLTALÁNOS BIZTONSÁGI FIGYELMEZTETÉSEK

▲ FIGYELMEZTETÉS

A termék használatakor a biztonsági szabályokat be kell tartani. A saját és mások biztonsága érdekében kérjük, olvassa el ezt az útmutatót a termék használata előtt. Tartsa meg a kézikönyvet, hátha a későbbiekben szüksége lehet rá.

▲ FIGYELMEZTETÉS

Ezt a terméket nem használhatják gyerekek és korlátozott fizikai, érzékelési vagy mentális képességekkel rendelkező személyek. A gyerekekre oda kell figyelni, nehogy játsszanak a termékkel.

▲ FIGYELMEZTETÉS

Egyes régiókban olyan előírások érvényesek, amelyek korlátozzák a termék használatát. További információért forduljon a helyi önkormányzathoz.

GYAKORLÁS

- Ne hagyja, hogy gyerekek vagy a termék használatát nem ismerő felnőttek használják a terméket. A helyi előírások korlátozhatják a kezelő életkorát.
- Figyelmesen olvassa el az utasításokat. Legyen tisztában a termék kezelőszerveivel és a helyes használatával.
- A nézelődőket, gyerekeket és a

háziállatokat tartsa 15m távolságban a munkaterülettől. Állítsa le a terméket, ha bárki belép a területre.

- Soha ne használja a terméket, ha fáradt, beteg, alkohol, tudatmódosítók, illetve gyógyszerek hatása alatt áll.
- Jegyezze meg, hogy a kezelő vagy a felhasználó felelős a más embereknek vagy tulajdonuknak okozott veszélyekért vagy balesetekért.

ELEKTROMOS BIZTONSÁG

- A dugasznak illeszkednie kell az aljzathoz. Semmilyen módon ne módosítsa a dugaszt. A földelt elektromos gépekhez ne használjon adapter dugaszt. A nem módosított és illeszkedő dugasz csökkenti az áramütés kockázatát.
- Kerülje el a véletlen bekapcsolást. A szerszám elektromos hálózatba való csatlakoztatása előtt mindig ellenőrizze, hogy a kapcsoló kikapcsolt állásban van. Az elektromos hálózatba kapcsolt szerszámot ne szállítsa úgy, hogy az ujjá a kapcsolón van.
- Kerülje az érintkezést földelt felületekkel, mint például csövekkel, radiátorokkal és hűtőkkel. Megnöveli az áramütés kockázatát, ha a teste földeltté válik.
- Ne használja a terméket, ha villámlás veszélye áll fenn.
- Ne tegye ki a terméket esőnek vagy nedves környezet hatásának. A készülékbe bejutó víz növeli az áramütés kockázatát.
- A készüléket egy 30 mA-nél nem nagyobb kioldóáramú áram-védőkapcsolóval (RCD) kell felszerelni.
- Minden használat előtt sérülés tekintetében vizsgálja át a tápkábelt. Ha károsodás jelei látszanak, egy szakképzett szerelővel ki kell cseréltetni. Használatkor mindig tekerje szét a tápkábelt, a feltekert kábelek túlhevülhetnek.
- Ha hosszabbító kábelt kell használnia, ügyeljen arra, hogy az kültéri használatra alkalmas és a termék meghajtásához elégséges teljesítményű legyen. A hosszabbító kábelnek „H05 RN-F” vagy „H05VV-F” jelöléssel kell rendelkeznie. Sérülés tekintetében minden használat előtt vizsgálja meg. Használatkor mindig tekerje szét a hosszabbító kábelt, mert a feltekert kábelek túlhevülhetnek. A sérült hosszabbító kábeleket tilos megjavítani,





azokat azonos típusúra kell kicserélni.

- Ne használja a terméket ha az elektromos kábelek károsodtak vagy elhasználódtak. Minden használat előtt sérülés tekintetében vizsgálja át a tápkábelt. Használatkor mindig tekerje szét a hosszabbító kábelt, mert a feltekert kábelek túlhevülhetnek.
- Ha használat közben a tápkábel vagy a hosszabbító kábel megsérül, azonnal húzza ki a kábelt az elektromos hálózati aljzatból. Na érintse meg az elektromos kábeleket, amíg a gép nincs kihúzva a hálózatról.
- Ügyeljen rá, hogy a tápkábel úgy legyen elvezetve, hogy azt ne vágják el a vágószerszámok, arra ne lépjenek rá, ne botoljanak el benne, és más módon se károsítsák vagy feszítsék meg.
- Ne fogja meg és ne szállítsa a terméket az elektromos kábelnél fogva.
- A hálózatról való leválasztásakor soha ne a tápkábelt húzza.
- Hőtől, olajtól és éles szélektől tartsa távol a kábelt.
- Ellenőrizze, hogy a hálózati feszültség megfelelő a termékhez. A termék működési feszültsége az adattáblán van feltüntetve. A terméket ne csatlakoztassa olyan váltóáramú feszültséghez, amely különbözik ettől a feszültségtől.
- Ügyeljen rá, hogy áramtalanítás előtt a kapcsolót mindig állítsa kikapcsolt állásba.

ELŐKÉSZÜLET

- Viseljen teljes szem- és fülvédőt a termék használata közben. Kötelező a fejbütyk viselése, ha olyan területen dolgozik, ahol tárgyak hullhatnak le.
- A hallásvédő korlátozhatja a kezelőket, hogy meghallják a figyelmeztető hangjelzéseket, ezért különösen figyeljenek oda a munkaterületen és akörül fennálló potenciális veszélyekre.
- Viseljen vastag anyagból készült hosszú nadrágot, csizmát és kesztyűt. Ne vegyen fel laza ruhát, rövid nadrágot, semmilyen ékszert, illetve ne legyen mezítláb.
- Ha hosszú a haja, azt a vállvonal felett rögzítse, nehogy beakadjon valamilyen mozgó alkatrészbe.
- Használat előtt és amennyiben a gépet bármilyen behatás éri, ellenőrizze, hogy az alkatrészek nem sérültek. A hibás

kapcsolókat vagy bármilyen más sérült vagy elhasználódott alkatrészt egy hivatalos szervizközpontban megfelelően meg kell javíttatni vagy ki kell cseréltetni.

- Bizonyosodjon meg róla, hogy a vágószerelek helyesen lett felszerelve és biztonságosan rögzítve van.
- Soha ne működtesse a terméket, amíg nincs minden védőburkolat, terelőlemez és fogantyú megfelelően felszerelve és rögzítve.
- Vizsgálja át a környezetet, ahol dolgozik. A munkaterületet tisztítsa meg a drótdaraboktól, fadaraboktól, kövektől és más hulladéktól, melyek a vágófejbe ütközve kivetődhetnek.

SZEGÉLYVÁGÓ BIZTONSÁGI FIGYELMEZTETÉSEK

- Ne hagyja, hogy gyerekek vagy a termék használatát nem ismerő felnőttek használják a terméket.
- Nappal vagy jó mesterséges megvilágításnál használja a terméket.
- Kerülje a nedves fűvön való használatot.
- Ne lépjen hátrafelé a termék használata közben.
- Stabilan álljon és vegyen fel megfelelő egyensúlyt. Ne hajoljon ki túlságosan. A túlzott kihajlás egyensúlyvesztést eredményezhet. Mindig biztosan támaszkodjon meg a lejtőkön, és sétáljon, ne szaladjon.
- A nézelődőket, gyerekeket és a háziállatokat tartsa 15 m távolságban a munkaterülettől. Állítsa le a terméket, ha bárki belép a területre.
- A vágószereleket tartsa derékszint alatt.
- Ne működtesse a terméket sérült védőburkolattal vagy ha a védőburkolatok nincsenek a helyükön.
- Ne szereljen fel fém csereszálát.
- A kezét és lábát minden esetben, de különösen a motor bekapcsolásakor, tartsa távol a vágóeszközöktől.
- Vigyázzon, a vágószemek a motor leállítása után tovább forognak.
- Ügyeljen a vágóeszköz által kivetett tárgyakra. A használat megkezdése előtt tisztítsa le a hulladékokat, például a kisebb köveket, kavicsot és más idegen tárgyakat a munkaterületről. A drótok és a vágószál

EN
FR
DE
ES
IT
NL
PT
DA
SV
FI
NO
PL
RU
CS
HU
RO
LV
LT
ET
HR
SL
SK
BG
UK
TR





beakadhatnak a vágóeszközbe.

- Kapcsolja ki és húzza ki a gépet az elektromos hálózathoz, mielőtt:
 - szervizelés
 - a termék felügyelet nélkül hagyása
 - a termék tisztítása vagy eltömődés megszüntetése
 - tartozékok cseréje
 - egy tárgy eltalálása után vizsgálja meg, hogy nincsenek-e rajta sérülések
 - Ellenőrizze, hogy a termék nem sérült-e meg, ha a vágó túlzottan vibrálni kezd
 - karbantartás végrehajtása
- A fű védőburkolatra felszerelt kisméretű penge a kitöltő szálnak a biztonságos és optimális működéshez szükséges méretűre vágására szolgál. Nagyon éles, úgyhogy ne érjen hozzá, különösen a termék tisztításakor.
- Mindig ügyeljen rá, hogy semmi ne maradjon a szellőzőnyílásokban.
- Bizonyosodjon meg róla, hogy a vágószerszám helyesen lett felszerelve és biztonságosan rögzítve van.
- Ügyeljen rá, hogy minden a védőburkolat, terelőlemez és fogantyú megfelelően fel legyen szerelve és rögzítve.
- Semmilyen módon ne változtassa meg a terméket, mert azzal növelheti a saját maga vagy mások sérülésének veszélyét.
- Csere esetén csak a gyártó által előírt csereszámot használja. Ne használjon semmilyen más vágó szerelvényt.
- Azonnal kapcsolja ki és húzza ki a hálózathoz egyszerűen a baleset vagy műszaki probléma. Ne használja a terméket újra addig, amíg teljesen ellenőrizni az erre jogosult szervizzel.

SZÁLLÍTÁS ÉS TÁROLÁS

- Szállítás és tárolás előtt állítsa le és hagyja lehűlni a terméket.
- Minden idegen anyagtól tisztítsa meg a terméket. Hűvös, száraz és jól szellőztetett, gyerekektől elzárt helyiségben tárolja. Ne tárolja olyan oxidálószerrel közelében, mint pl. kert munkáknál használatos vegyszerek vagy jégmentesítő sók. Ne tárolja a szabadban.
- A tároláshoz mindig válassza le a hálózatról és tekerje fel a kábelt.
- Szállításkor rögzítse a terméket

elmozdulás és leesés ellen, hogy elkerülje a sérüléseket és a termék sérülését.

KARBANTARTÁS

▲ FIGYELMEZTETÉS

Csak a gyártó eredeti cserealkatrészeit, tartozékait és szerelékeit használja. Ennek figyelmen kívül hagyása gyenge motorteljesítményt, esetleges sérülést és a jótállás elvesztését okozhatja.

▲ FIGYELMEZTETÉS

szervizelés különös figyelmet és hozzáértést igényel, és csak szakképzett szerelő végezheti el. Javasoljuk, hogy a szervizeléskor a terméket vigye a legközelebbi hivatalos szervizközpontba javítás céljából. Szervizeléskor csak azonos cserealkatrészeket használjon.

- Mindenféle karbantartási vagy tisztítási munka előtt kapcsolja ki és áramtalanítsa a készüléket.
- Az itt bemutatott beállításokat és javításokat Ön is elvégezheti. Az egyéb javításokhoz vegye fel a kapcsolatot a hivatalos szervizzel.
- Csere vágószámként csak a jelen kézikönyvben a műszaki adatoknál megadott átmérőjű nejlón vágószálat használjon.
- Új vágószál kihúzását követően a beindítás előtt mindig állítsa vissza a terméket a normális működési állásba.
- Minden egyes használat után egy puha, száraz ruhával tisztítsa meg a terméket. A sérült alkatrészeket egy hivatalos szervizközpontban kell megjavíttatni vagy kicseréltetni.
- Gyakori időközönként ellenőrizze a csavaranyák, csavarok és fejescsavarok megfelelő meghúzását, hogy a gép biztonságos üzemi állapotban legyen.

FENNMARADÓ KOCKÁZAT

Még a termék rendeltetésszerű használata esetén sem lehet teljesen kiküszöbölni minden kockázati tényezőt. A gép használata során a következő veszélyek merülhetnek fel, és a kezelőnek különösen oda kell figyelnie az alábbiak elkerülésére:





- A vibráció sérüléseket okozhat. A terméket az arra szolgáló fogantyúknál tartsa, és korlátozza a munkaidőt és a vibrációnak való kitettséget.
- A zajnak való kitettség halláskárosodást okozhat. Viseljen hallásvédőt és korlátozza a zajnak való kitettséget.
- A repülő hulladék okozta szemsérülés. Mindig viseljen szemvédőt.

KOCKÁZATCSÖKKENTÉS

Arról számoltak be, hogy a kéziszerszámok használata során fellépő vibráció bizonyos személyeknél hozzájárulhat az úgynevezett Raynaud-szindróma (Raynaud's Syndrome) nevű állapot kialakulásához. A tünetei lehetnek: az ujjak zsibbadása, elfehéredése, szúrások érzése, amelyek hidegnek kitéve gyakran felerősödnek. Az öröklődő tényezők, a hidegnek kitétség és verejtékezés, a diéta, a dohányzás és munka közben alkalmazott fogások valószínűleg mind hozzájárulhatnak ezen tünetek megjelenéséhez. A vibráció hatásainak csökkentése érdekében a kezelőnek be kell tartani az alábbi óvintézkedéseket:

- Hideg időben tartsa melegen a testét. A termék használatakor viseljen kesztyűt a kéz és a csukló melegen tartásához. Arról számoltak be, hogy a hideg időjárásnak fontos szerepe van a Raynaud-szindróma kialakulásában.
- Bizonyos időtartamú használat után mindig végezzen gyakorlatokat a vérkeringés javításához.
- Gyakran tartson munkaszünetet. Korlátozza a napi munkaidőt.

Ha ezen állapot bármelyik tünetét tapasztalja, azonnal hagyja abba a munkát, és tájékoztassa az orvosát a tünetekről.

▲ FIGYELMEZTETÉS

Injuries may be caused, or aggravated, by prolonged use of a tool. Ha a gépet hosszú időn át kell használnia, tartson gyakran szünetet.

ISMERJE MEG A TERMÉKET

Lásd 131. oldal.

1. Hátsó fogantyú
2. Kireteszelő gomb
3. Kioldó

4. Elülső fogantyú
5. Heveder
6. Felső tengely
7. Alsó tengely
8. Biztonsági védőburkolat
9. Vágókés
10. Vágószál
11. Ütközőfej
12. Tápkábel
13. Kábeltartó
14. Orsófedél
15. Orsó
16. Kis nyílás

SZIMBÓLUMOK A TERMÉKEN



A termék használata előtt olvassa el és értse meg a kezelési útmutatóban leírtakat, és tartsa be az összes figyelmeztető és biztonsági utasítást.



Viseljen védőszemüveget.



Viseljen fülvédőt.



Ne használjon fém kés(eke)t a terméken.



Ne tegye ki esőnek, és ne használja nedves környezetben.



Karbantartás előtt, vagy a kábel sérülése, átvágása vagy beakadása esetén azonnal húzza ki a tápkábelt az elektromos hálózathoz.



Figyeljen a kivetett vagy repülő tárgyakra. Az összes nézelődő, különösen a gyerekek és a háziállatok, legyenek legalább 15m-es távolságra a használati területtől.



Tartsa a kezeit távol a vágókéstől.



Class II gép, kettős szigetelés





A kiselejtezett elektromos termékeket nem szabad a háztartási hulladékkal együtt kidobni. Ezeket újra kell hasznosítani, ha van rá lehetőség. Az újrahasonosítással kapcsolatban érdeklődjön a helyi önkormányzatnál vagy a termék forgalmazójánál.



Ukrainai megfelelőségi nyilatkozat



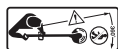
Ez a szerszám minden, a vásárlás európai uniós országában hatályos szabványnak megfelel.



Eurázsiai megfelelőségi jelzés



Garantált hangteljesítményszint: 96 dB.



Figyeljen a kivetett vagy repülő tárgyakra.
A nézelődőket a géptől biztonságos távolságban tartsa.

A KÉZIKÖNYVBEN HASZNÁLT SZIMBÓLUMOK



Csatlakoztassa egy elektromos hálózati aljzathoz.



Húzza ki az elektromos hálózati aljzathból.



Külön értékesített alkatrészek és kiegészítők



Megjegyzés



Figyelem

A következő jelölőszavak és jelentések arra szolgálnak, hogy megmagyarázzák a termékkel kapcsolatos veszélyességi szinteket.

⚠ VESZÉLY

Egy bekövetkező veszélyes helyzetet jelez, ami, ha nem előzik meg, halált vagy komoly sérülést eredményez.

⚠ FIGYELMEZTETÉS

Egy potenciálisan bekövetkező veszélyes helyzetet jelez, amit, ha nem előznek meg, halált vagy komoly sérülést eredményezhet.

⚠ FIGYELEMFELHÍVÁS

Egy potenciálisan veszélyes helyzetet jelez, ami, ha nem előzik meg, kisebb vagy mérsékelt sérülést eredményezhet.

FIGYELEMFELHÍVÁS

Biztonsági figyelmeztető szimbólum nélkül
Egy olyan helyzetet jelez, ami anyagi kárt eredményezhet.

Au fost acordate priorităţi maxime siguranţei, performanţei şi fiabilităţii în proiectarea aparatului Dvs electric cu fir de tuns gazon.

UTILIZARE PREVĂZUTĂ

Produsul este destinat doar pentru folosire exterioară de către un operator în picioare şi păşind împreună cu produsul.

Produsul este proiectat pentru tăierea ierbii, a buruienilor uşoare şi altă vegetaţie similară la sau deasupra nivelului solului.

Produsul nu trebuie utilizat pentru a tăia sau a tunde garduri vii, tufişuri sau altă vegetaţie în care planul de tăiere nu este paralel cu suprafaţa solului.

AVERTISMENTE GENERALE PRIVIND SIGURANŢA

⚠ AVERTISMENT

Atunci când utilizează produsul, normele de siguranţă trebuie să fie respectate. Pentru siguranţa dumneavoastră şi a trecătorilor, vă rugăm să citiţi aceste instrucţiuni înainte de utilizarea produsului. Vă rugăm păstraţi instrucţiunile în siguranţă pentru o folosire ulterioară.

⚠ AVERTISMENT

Produsul nu este destinat a fi folosit de către copii sau persoane cu capacităţi fizice, mintale sau senzoriale reduse. Copiii trebuie să fie supravegheaţi adecvat pentru a vă asigura că nu se joacă cu produsul.

⚠ AVERTISMENT

Anumite regiuni au reglementări ce restricţionează folosirea produsului. Pentru sfaturi întrebaţi autorităţile dvs. locale.

INSTRUIRE

- Nu lăsaţi niciodată copiii sau persoanele nefamiliarizate cu aceste instrucţiuni să folosească produsul. Reglementările locale pot restricţiona vârsta operatorului.
- Citiţi instrucţiunile cu atenţie. Familiarizaţi-vă cu toate comenzile şi folosirea corespunzătoare a produsului.
- Țineţi trecătorii, copiii şi animalele de

companie la 15 metri depărtare de zona de operare. Oprii produsul dacă cineva intră în zonă.

- Nu folosiţi niciodată produsul când sunteţi obosit, bolnav sau sub influenţa alcoolului, drogurilor sau medicamentelor.
- Reţineţi că operatorul sau utilizatorul este responsabil pentru accidente sau pericolele ce pot avea loc asupra altor persoane sau proprietăţii lor.

SIGURANŢĂ ELECTRICĂ

- Ştecherele trebuie să se potrivească cu prizele. Nu modificaţi niciodată ştecărul în nici un fel. Nu folosiţi niciodată adaptoare de ştecăr cu uneltele electrice cu împământare. Ştecărele nemodificate şi prizele potrivite reduc riscul de electrocutare.
- Evitaţi pornirile involuntare. Verificaţi întotdeauna că comutatorul este în poziţia Off (Oprit) înainte de a introduce ştecherul unei alte prize de alimentare. Nu transportaţi o unealtă alimentată la priză având degetul pe butonul de pornire.
- Evitaţi contactul corpului cu suprafeţele conectate la împământare, precum ţevi, radiatoare, reşouri, maşini de gătit şi frigidere. Există un risc crescut de electrocutare când corpul dumneavoastră are contact cu împământarea.
- Nu operaţi produsul când există risc de fulgere.
- Nu expuneţi produsul la ploaie sau condiţii de umiditate. Pătrunderea apei în aparat va creşte riscul electrocutării.
- Energia electrică trebuie să fie furnizată printr-un dispozitiv pentru curent rezidual (RCD) cu un curent de declanşare de nu mai mult de 30 mA.
- Înainte de fiecare folosire, verificaţi de defecte cablul de alimentare. Dacă există semne de deteriorare, acesta trebuie să fie înlocuit de un tehnician de service calificat. Desfăşuraţi întotdeauna cablul de alimentare, cablurile înfăşurate pot să se supraîncalzească.
- Dacă trebuie să folosiţi un cablu prelungitor, asiguraţi-vă că este potrivit pentru uzul exterior şi are o capacitate suficientă de curent pentru a alimenta produsul Dvs. Cablul prelungitor trebuie să fie marcat fie „H05 RN-F”, fie „H05VV-F”. Verificaţi înainte de fiecare folosire să nu fie deteriorat. Desfăşuraţi întotdeauna

cablul prelungitor în timpul folosirii întrucât cablurile nedesfășurate se pot supraîncălzi. Cablurile prelungitoare deteriorate nu trebuie reparate, ele trebuie înlocuite cu un model echivalent.

- Nu utilizați produsul în cazul în care cablurile electrice sunt deteriorate sau uzate. Înainte de fiecare folosire, verificați de defecte cablul de alimentare. Desfășurați întotdeauna cablul prelungitor în timpul folosirii întrucât cablurile nedesfășurate se pot supraîncălzi.
- În cazul în care cablul de alimentare sau cablu de extensie se deteriorează în timpul utilizării, deconectați de la sursa de alimentare imediat. Nu atingeți cablurile electrice până când sursa de alimentare nu este deconectată.
- Asigurați-vă că poziționarea cablului de alimentare este în așa fel încât nu poate fi deteriorat prin mijloace de tăiere și că nu se va călca peste el, nu vă împiedicați de el sau să nu-l supuneți stresului.
- Nu ridicați sau transportați produsul de cablul electric.
- Nu trageți niciodată de cablul de alimentare pentru a deconecta de la sursa de alimentare.
- Păstrați cablul departe de sursele de căldură, ulei și margini ascuțite.
- Asigurați-vă că tensiunea este corectă pentru produsul Dvs. O etichetă de pe produs indică tensiunea produsului. Nu conectați produsul la o tensiune de curent alternativ care diferă de această tensiune.
- Asigurați-vă că comutatorul este în poziția Off (Oprit) înainte de deconectarea de la sursa de alimentare.

PREGĂTIRE

- Purtați protecție completă a ochilor și urechilor în timpul operării produsului. Dacă în zona de lucru există riscul căderii de obiecte, trebuie purtată protecție a capului.
- Protecția auzului ar putea împiedica operatorului capacitatea de a auzi sunete de avertizare, să acorde atenție specială potențialelor pericole din jurul său sau înăuntrul zonei de lucru.
- Purtați pantaloni lungi groși, cizme și mănuși. Nu purtați haine largi, pantaloni scurți, bijuterii de niciun fel sau să fiți desculț.

- Prindeți părul lung deasupra umerilor pentru a preveni prinderea lui de părțile în mișcare.
- Înainte de folosire și după fiecare impact, verificați să nu existe părți/piese deteriorate. Un întrerupător defect sau orice altă parte care e deteriorată sau uzată trebuie reparată corespunzător sau înlocuită la un atelier service autorizat.
- Asigurați-vă că accesoriul de tăiere este corect instalat și prins fix.
- Nu operați niciodată produsul fără a avea toate apărătorile, defletoarele și mânerele corespunzător atașate și fixate.
- Aveți în vedere mediul în care lucrați. Păstrați zona de lucru liberă de cabluri, bețe, pietre și resturi care dacă sunt lovite de cuțit pot să fie aruncate.

AVERTIZĂRI DE SIGURANȚĂ ASUPRA FIRULUI DE TĂIERE

- Nu permiteți niciodată copiilor sau persoanelor care nu sunt familiarizate cu aceste instrucțiuni să utilizeze produsul.
- Folosiți produsul pe timpul zilei sau dacă aveți o sursă de lumină artificială bună.
- Evitați utilizarea pe iarba umedă.
- Nu pășiți înapoi atunci când folosiți produsul.
- Mențineți sprijin ferm pe picioare și echilibru. Nu vă aplecați excesiv. Aplecarea excesivă poate cauza pierderea echilibrului. Asigurați-vă întotdeauna o poziție fermă a picioarelor pe pante, și mergeți întotdeauna, nu fugiți.
- Țineți trecătorii, copiii și animalele de companie la 15 metri depărtare de zona de operare. Opriți produsul dacă cineva intră în zonă.
- Mențineți accesoriul de tăiere sub nivelul taliei.
- Nu utilizați niciodată produsul cu dispozitive de protecție deteriorate sau fără ca acestea să fie montate.
- Nu înlocuiți niciodată firul de nylon cu unul metalic.
- Feriți întotdeauna mâinile și picioarele de părțile tăietoare ale uneltei, mai ales atunci când porniți motorul.
- Atenție, elementele de tăiere continuă să se rotească după ce motorul este oprit.
- Fiți atent la obiectele aruncate de mijloacele



de tăiere. Curățați resturile precum pietre mici, pietriș și alte obiecte străine din zona de lucru înainte de începerea operării. Cabluri sau fire pot să fie încălcite în mijloacele de tăiere

- Opriți și deconectați de la sursa de alimentare înainte de:
 - revizia
 - lăsarea produsului fără supraveghere
 - curățarea produsului dvs sau înlăturarea unui blocaj
 - schimbarea accesoriilor
 - verificare pentru orice daune după lovirea unui obiect
 - verificare pentru orice daune în cazul în care produsul începe să vibreze anormal
 - efectuarea întreținerii
- Lama mică fixată la apărătoarea mașinii de tuns este proiectată să tundă noul fir prelungit la lungimea corectă pentru o funcționare sigură și optimă. Este foarte ascuțită, nu o atingeți în special când curățați aparatul.
- Asigurați-vă întotdeauna că deschiderile de ventilație nu sunt acoperite de resturi.
- Asigurați-vă că accesoriul de tăiere este corect instalat și prins fix.
- Asigurați-vă că toate dispozitivele de protecție, deflectoarele și mânerul sunt fixate corect și strâns.
- Nu modificați produsul în niciun fel întrucât acest lucru crește riscul de vătămare a Dvs sau a celorlalți.
- Folosiți doar fir de tăiere înlocuitor al producătorului. Nu folosiți niciun alt accesoriu de tăiere.
- Imediat opriți și deconectați de la rețea o dată în caz de accident sau avarie. Nu folosiți produsul din nou, până când este complet verificat de către centrul de service autorizat.

TRANSPORTAREA ȘI DEPOZITAREA

- Opriți produsul și lăsați-l să se răcească înainte de a-l depozita sau transporta.
- Curățați toate materialele străine din produs. Depozitați-l într-un loc răcoros, uscat și bine aerisit ce este inaccesibil copiilor. Nu-l depozitați în apropiere de agenți corozivi cum ar fi produși chimici de grădinarit sau săruri anti-gel. Nu depozitați

în aer liber.

- Pentru depozitare, deconectați întotdeauna de la sursa de alimentare și înfășurați cablul.
- Pentru transportare, fixați produsul împotriva mișcării sau căderii pentru a preveni vătămarea persoanelor sau deteriorarea produsului.

ÎNȚEȚINEREA

⚠ AVERTISMENT

Folositi doar piese de schimb, accesorii si atasamente originale ale producatorului Neurmarea acestora poate cauza posibilă vătămare, slaba funcționare și ar putea anula garanția.

⚠ AVERTISMENT

Service-ul necesită atenție și cunoștințe deosebite și trebuie îndeplinit doar de către un tehnician service calificat. Pentru service sugerăm să returnați produsul la cel mai apropiat centru service autorizat pentru efectuarea reparațiilor. Când se efectuează service-ul folosiți doar piese de schimb identice.

- Opriți și deconectați de la priză înainte de a îndeplini orice operațiune de întreținere sau de curățare.
- Puteți efectua reglajele și reparațiile descrise aici. Pentru alte reparații, contactați agentul service autorizat.
- Pentru fir de schimb, folosiți doar linie cu filament din nylon cu diametrul descris în tabelul cu specificații din acest manual.
- Nu prelungirea noului fir de tăiere, reveniți întotdeauna produsul la poziția sa normală de funcționare înainte de a-l opera.
- După fiecare folosire curățați produsul cu o cârpă moale și uscată. Orice piesă deteriorată trebuie să fie reparată în mod corespunzător sau înlocuită de un service autorizat.
- Verificați toate piulițele, suruburile la intervale frecvente de timp ca să fie corespunzător strânse pentru a vă asigura că echipamentul este în stare de lucru în siguranță.



RISCURI REZIDUALE

Chiar dacă produsul este folosit așa cum a fost prescris, este totuși imposibil să se elimine complet anumiți factori de risc reziduali. Următoarele pericole pot apărea în timpul folosirii și operatorul trebuie să acorde atenție specială pentru a evita următoarele:

- Vătămare cauzată de vibrație. Țineți produsul de mânerul proiectat și restricționați timpul și expunerea de lucru.
- Expunerea la zgomot poate cauza vătămarea auzului. Purtați protecție pentru auz și limitați expunerea.
- Vătămare a ochilor datorată resturilor aruncate. Purtați întotdeauna protecție pentru ochi.

REDUCEREA RISCULUI

A fost raportat faptul că vibrațiile de la produsele ținute în mână ar putea să contribuie la la anumite persoane la starea numită sindromul lui Raynaud. Simptomele pot include furnicături, amorțeală și albirea degetelor, care apare, de obicei, după expunerea la frig. Factori ereditari, expunerea la frig și umiditate, dieta, fumatul și practicile de muncă contribuie la dezvoltarea acestor simptome. Există măsurători care pot fi efectuate de către operator pentru a reduce efectele de vibrațiilor:

- Păstrați-vă temperatura corporală ridicată pe vreme rece. Când operați produsul purtați mănuși pentru a menține calde mâinile și încheieturile. S-a constatat că vremea rece este un factor major care contribuie la sindromul Raynaud.
- După fiecare perioadă de operare, trebuie făcute exerciții pentru a crește circulația sângelui.
- Trebuie făcute pauze la intervale de timp regulate. Limitați expunerea zilnică.

Dacă sunt experimentate oricare dintre simptomele acestei afecțiuni, trebuie întreruptă utilizarea și consultat un medic.

AVERTISMENT

Pot fi cauzate sau agravate vătămările de la folosirea prelungită a aparatului. Atunci când folosiți o sculă pentru perioade prelungite, asigurați-vă că luați pauze regulate.

CUNOAȘTEȚI-VĂ PRODUSUL

Vezi pagina 131.

1. Mânerul principal
2. Buton de deblocare
3. Declanșator
4. Mâner anterior
5. Ham
6. Bară superioară
7. Bară inferioară
8. Apărătoare de siguranță
9. Lamă de tăiere
10. Fir de tăiere
11. Cap bombat
12. Cordon de alimentare
13. Opritor cablu
14. Capac bobină
15. Bobină
16. Gaură

SIMBOLURILE DE PE PRODUS



Citiți și înțelegeți toate instrucțiunile înainte de a opera produsul, urmați toate avertizările și instrucțiunile de siguranță.



Purtați întotdeauna ochelari de protecție.



Purtați protecție pentru auz.



Nu folosiți lame/discuri de metal la acest produs.



Nu expuneți la ploaie sau umezeală.



Scoateți ștecherul din priză imediat înainte de întreținerea sau în cazul în care cablul electric este deteriorat, tăiat sau încălzit.



Feriți-vă de obiecte proiectate sau în zbor. Țineți toți trecătorii, în special copiii și animalele de companie la cel puțin 15 metri de zona de operare.



Țineți mâinile ferite de discul de tăiere



Aparat clasa II, izolație dublă.



Deșeurile produselor electrice nu trebuie să fie înlăturate împreună cu deșeurile casnice. Vă rugăm să reciclați acolo unde există facilități. Verificați la autoritatea dvs. locală sau la vânzător pentru sfaturi privind reciclarea.



Semn de conformitate ucrainean



Acest aparat este conform cu ansamblul normelor reglementare din țara din UE în care a fost cumpărat.



Marcaj de conformitate EurAsian



Nivelul de putere sonoră garantat este de 96 dB.



Ferțiți-vă de obiecte proiectate sau în zbor. Păstrați distanța față de persoanele din apropiere.

SIMBOLURI DIN ACEST MANUAL



Conectarea la priză.



Deconectați de la priză.



Piese sau accesorii vândute separat



Notă



Avertisment

Rămătoarele cuvinte simbol și înțelesul lor au intenția de a explica nivelele de risc asociate cu acest produs.

⚠️ PERICOL

Indică o situație periculoasă iminentă, care dacă nu este evitată va cauza decesul sau vătămarea gravă.

⚠️ AVERTISMENT

Indică o situație periculoasă iminentă, care dacă nu este evitată poate rezulta în deces sau vătămare gravă.

⚠️ ATENȚIE

Indică o situație potențial periculoasă, care dacă nu este evitată poate cauza vătămarea moderată sau ușoară.

ATENȚIE

Fără a simbolul de alertă privind siguranța. Indică o situație care poate duce la pagube materiale.

Drošība, sniegums un uzticamība ir galvenā prioritāte izstrādājot jūsu elektrisko trimmeri.

PAREDZĒTAIS LIETOJUMS

Produktu var izmantot tikai ārā esošs stāvošs operators, kas pārvietojas ar precī.

Šī prece ir paredzēta zāles, mīkstu nezāļu un citas līdzīgas veģetācijas griešanai zemes vai aptuveni zemes līmenī. Griešanas plaknei ir jābūt aptuveni paralēli zemes virsmai.

Izstrādājumu nedrīkst lietot dzīvzogu, krūmu vai cita apauguma griešanai vai cirpšanai, ja griešanas plakne nav paralēla zemes virsmai.

VISPĀRĪGIE DROŠĪBAS BRĪDINĀJUMI

▲ BRĪDINĀJUMS

Izmantojot ierīci, izpildiet drošības noteikumus. Pirms darba uzsākšanas Jūsu un blakusstāvētāju drošības dēļ, lūdzu, izlasiet šos norādījumus. Lūdzu, saglabājiet instrukciju vēlākai izmantošanai.

▲ BRĪDINĀJUMS

Ierīce nav paredzēta bērniem vai cilvēkiem ar samazinātām fiziskām, garīgām spējām vai maņu kustību traucējumiem. Nepieciešams pienācīgi uzmanīties bērnu, lai nodrošinātu, ka tie nespēlējas ar ierīci.

▲ BRĪDINĀJUMS

Dažos reģionos pastāv noteikumi, kas ierobežo preces lietošanu. Vērsieties pie atbildīgajām amatpersonām pēc padoma.

APMĀCĪBA

- Nekad neļaujiet bērniem vai personām, kas nav iepazinušās ar instrukcijām, izmantot precī. Vietas īstatymai gali apriboti jērgimto operatoriaus amžīu.
- Uzmanīgi izlasiet norādījumus. Iepazīstieties ar visām vadībām un pareizu preces izmantošanu.
- Pārliecinieties, ka tuvumā stāvošie -bērni un dzīvnieki ir 15m attālumā no jūsu darbošanās vietas. Ja kāds ienāk zonā, apturiet precī.
- Nekad neizmantojiet produktu, kad esat noguris, slims vai alkohola, narkotiku vai medikamentu iespaidā.

- Turēkite omenyje, kad operatorius arba vartotojas yra atsakingas už nelaimingus atsitikimus arba kitiems asmenims ar jų turtui sukeltą pavojų.

ELEKTRODROŠĪBA

- Kontaktdakšai ir jābūt tādai pašai kā elektrības izejai. Nekad nepārveidojiet kontaktdakšu. Sazemētiem elektroinstrumentiem nelietojiet pārejas līgzdas. Nepārveidotas kontaktdakšas un atbilstošas kontaktlīgzdas samazinās elektriskā trieciena risku.
- Izvairieties no nejuaušas iedarbināšanas. Pirms ierīces pievienošanas strāvas avotam vienmēr pārbaudiet, vai slēdzis ir izslēgtā (Off) stāvoklī. Nepārnēsiet pieslēgtu darba rīku turot pirkstu uz slēdža.
- Nepieļaujiet ķermeņa kontaktu ar sazemētām virsmām, piemēram, caurulēm, radiatoriem, pavardiem un saldētavām. Ja jūsu ķermenis ir sazemēts, pastāv palielināts elektriskā trieciena risks.
- Nedarbīniet produktu, ja pastāv zibens iespēšanas risks.
- Nepakļaujiet precī lietum vai slapjiem apstākļiem. Ūdenim iekļūstot iekārtā, palielināsies risks saņemt elektriskās strāvas triecienu.
- Elektriskā enerģija jāpiegādā caur strāvas noplūdes automātslēdzi (RCD) ar atslēgšanas strāvu, kas nepārsniedz 30 mA.
- Pirms katras lietošanas reizes pārbaudiet, vai strāvas vads nav bojāts. Ja pastāv bojājuma iespēja, nomainīta jāveic kvalificētam apkopes tehnikim. Lietošanas laikā vienmēr atīniet strāvas vadu, satīti vadi var pārkarst.
- Ja jums nepieciešams izmantot pagarinātāju, nodrošiniet, ka tas ir piemērots izmantošanai ārā un tā strāvas kapacitāte ir atbilstoša, lai apgādātu jūsu precī. Pagarinātājauklai ir jābūt apzīmētai ar "H05 RN-F" vai "H05VV-F" Pirms katras lietošanas reizes, pārbaudiet, vai tas nav bojāts, Izmantošanas laikā, pilnībā atīniet pagarinātāja vadu, jo satīti pagarinātāja vadi var pārkarst.. Bojātu vada pagarinātāju nedrīkst labot, to jānomaina pret līdzvērtīgu.
- Nelietojiet izstrādājumu, ja elektriskais kabelis ir bojāts vai nolietojies. Pirms katras lietošanas reizes pārbaudiet, vai strāvas vads nav bojāts. Izmantošanas



laikā, pilnībā attīniet pagarinātāja vadu, jo satīti pagarinātāja vadi var pārkarst.

- Ja elektrības vads vai pagarinātāja kabelis darba laikā tiek bojāts, nekavējoties atvienojiet to no strāvas avota. Nepieskarieties elektriskajiem kabeļiem, kamēr nav atvienota enerģijas piegāde.
- Pārliedzieties, ka strāvas vads ir novietots tā, ka to nevar bojāt sagriežot un ka uz tā nevar uzkāpt, paklupt vai to kā citādi bojāt vai nospriegot.
- Nekad nepaceliet un nenesiet izstrādājumu aiz elektriskā kabeļa.
- Atvienojot no enerģijas avota, nekad nevelciet aiz elektriskā vada.
- Turiet kabeli tālāk no siltuma, eļļas un asām malām.
- Pārliedzieties, ka spriegums atbilst jūsu precei. Izstrādājuma spriegums norādīts uz izstrādājuma nosaukuma plāksnītes. Nekad nepievienojiet ierīci cita sprieguma vērtības maiņspriegumam.
- Pirms atvienošanas no enerģijas avota pārliedzieties, vai slēdzis ir izslēgtā (Off) stāvoklī.

SAGATAVOŠANA

- Darbinot precī, valkājiēt pilnus acu un ausu aizsargus. Ja strādājat zonā, kur pastāv krītošu priekšmetu risks, jāvalkā galvas aizsargs.
- Dzirdes aizsargs var apgrūtināt operatora spēju dzirdēt brīdinājuma skaņas, veltiet īpašu uzmanību potenciālām briesmām darba zonā un tās apkārtnē.
- Velciet izturīgas garās bikses, zābakus un cimds. Nevelciet platu un vaļīgu apģērbu, īsās bikses, jebkādas rotaslietas un nelietojiet bez apaviem.
- Nostipriniet garus matus tā, lai tie ir virs plecu līmeņa, lai novērstu sapīšanos kustīgajās daļās.
- Pirms lietošanas un pēc jebkura trieciena, pārbaudiet, vai nav bojātu daļu. Bojāts slēdzis vai kāda daļa, kas ir bojāta vai nolietota, pareizi jāsalabo vai jānomaina pilnvarotā servisa centrā.
- Pārliedzieties, ka griešanas uzgalis ir pareizi uzstādīts un droši nostiprināts.
- Nekad nedarbiniet produktu, ja vien visi aizsargi, deflektori un rokturi ir pareizi un droši pievienoti.
- Pārskatiet apkārtni, kurā strādājat.

Atbrīvojiet darba zonu no vadiem, zariem, akmeņiem un būvgružiem, kas, iedarbinot griezēju, var tikt izsvaidīti.

AUKLAS TRIMMERA DROŠĪBAS BRĪDINĀJUMI

- Neļaujiet šo izstrādājumu lietot bērniem vai cilvēkiem, kuri nav izlasījuši šīs instrukcijas.
- Lietojiet izstrādājumu dienas gaismā vai labā mākslīgā apgaismojumā.
- Nelietojiet ierīci slapjā zālē.
- Lietojot šo precī, netaigājiet atmuguriski.
- Visada tvirtai stovēkite ir īslaikykite pusiausvyrā. Nepersitempkite. Persitempe galite prarasti pusiausvyrā. Atrodotes uz slīpas virsmas, vienmēr pārliedzieties par stabilu kāju stāvokli, un ejiet, nekad neskrīeniet.
- Pārliedzieties, ka tuvumā stāvošie -bērni un dzīvnieki ir 15 m attālumā no jūsu darbošanās vietas, Ja kāds ienāk zonā, apturiet precī.
- Turiet griešanas uzgali zem jostasvietas līmeņa.
- Nekad nedarbiniet izstrādājumu ar bojātiem vai bez uzstādītiem aizsargiem.
- Nekad nepielāgojiet metāla aizvietotāja auklu.
- Turiet rokas un kājas tālāk no griezējdaļām visu laiku un īpaši, kad tiek ieslēgts motors.
- Uzmanieties, jo griezējelementi turpina rotēt arī pēc motora izslēgšanas.
- Uzmanieties no priekšmetiem, kas tiek izsvaidīti griešanas laikā. Pirms darba uzsākšanas attīriet darba zonu no maziem akmeņiem, grants un citiem svešiem priekšmetiem. Vadi vai auklas var iepīties griešanas laikā.
- Izslēdziet un atvienojiet no enerģijas avota pirms:
 - apkope
 - izstrādājuma atstāšana bez uzraudzības
 - preces tīrīšana vai nosprostojuma atbrīvošana
 - maināmi piederumi
 - ierīces pārbaude pēc sitiena pa priekšmetu
 - ja izstrādājums sāk neparasti vibrēt, pārbaudiet, vai tas nav bojāts
 - apkopes veikšana
- Mazais asmens, kas pievienots zāliena aizsargam, ir paredzēts jaunas pagarinātās

EN
FR
DE
ES
IT
NL
PT
DA
SV
FI
NO
RU
PL
CS
HU
RO
LV
LT
ET
HR
SL
SK
BG
UK
TR



aukļas apgriešanai pareizā garumā, nodrošinot drošu un optimālu sniegumu. Tas ir ļoti ass, tāpēc neaiztieciot to, it īpaši, tīrot instrumentu.

- Vienmēr pārliecinieties, ka ventilācijas atveres ir tīras no netīrumiem.
- Pārliecinieties, ka griešanas uzgalis ir pareizi uzstādīts un nostiprināts.
- Pārbaudiet, vai visi aizsargi, noliecēji un rokturi ir pareizi un stingri piestiprināti.
- Nepārveidojiet precī, jo tas var palielināt savainojumu risku jums un citiem.
- Lietojiet tikai ražotāja piedāvāto rezerves griešanas auklu. Nelietojiet citus griešanas uzgaļus.
- Nekavējoties izslēdziet un atvienojiet no elektrotīkla, kad, ja negadījumā vai avārijā. Nedarbiniet ierīci, kamēr tas ir pilnībā standartizēta ar autorizētā servisa centrā.

TRANSPORTĒŠANA UN UZGLABĀŠANA

- Apturiet precī un ļaujiet tai atdzist pirms noglabāšanas vai transportēšanas.
- Notīriet visus svešķermeņus no izstrādājuma. Uzglabājiet to vēsā, sausā un labi vēdinātā vietā, kurai nevar piekļūt bērni. Neglabājiet to vietā, kur tuvumā atrodas korozīvas vielas, piemēram dārza darbos izmantojamas ķīmikālijas vai atsaldēšanai domāta sāls. Neuzglabājiet ārpus telpām.
- Glabāšanas laikā vienmēr atvienojiet kabeli no strāvas avota un satiniet.
- Transportējot nostipriniet ierīci, lai tā nekustētos un neapgāztos, jo tas var izraisīt miesas bojājumus un ierīces bojājumus.

APKOPE

▲ BRĪDINĀJUMS

Lietojiet tikai oriģinālās ražotāja rezerves daļas, piederumus un uzgaļus. Pretējā gadījumā var tikt radīti ievainojumi un parādīts slikts sniegums, kā arī var tikt anulēta garantija.

▲ BRĪDINĀJUMS

Apkopes veikšanai ir nepieciešama piesardzība un pieredze, un to drīkst veikt tikai kvalificēts tehniķis. Apkopei ieteicams nogādāt ražojumu tuvākajā pilnvarotajā klientu apkalpošanas centrā uz remontu. Sugedusias detales keiskite tik originaliomis detalēmis.

- Pirms jebkādas apkopes vai tīrīšanas darbu veikšanas, izslēdziet un atvienojiet ierīci no elektrības.
- Jūs varat veikt šeit aprakstītos pielāgojumus un remontu. Lai veiktu citus remontdarbus, sazinieties ar pilnvarotu servisa darbinieku.
- Aizstāšanai izmantojiet tikai neilona šķiedras auklu, kuras diametrs aprakstīts šīs rokasgrāmatas specifikācijas tabulā.
- Kad pagarināta jauna griešanas aukla, pirms iedarbināšanas vienmēr atgrieziet precī tās parastajā darba stāvoklī.
- Pēc katras lietošanas reizes notīriet precī ar mīkstu, sausu drāniņu. Jebkura bojāta detaļa jānodod remontam vai nomaigai pilnvarotā apkopes centrā.
- Bieži un regulāri pārbaudiet visu uzgriežņu, bultskrūvju un skrūvju stingrību, lai pārliecinātos, vai aprīkojums ir drošā darba stāvoklī.

OBJEKTĪVIE RISKI

Pat ka prece ir lietotā kā noteikts, nav iespējams pilnībā novērst noteiktus riska faktorus. Lietošanas laikā var rasties šādas bīstamas situācijas, un lietotājam ir jāpievērš pastiprināta uzmanība, lai tās novērstu:

- Vibrācijas radīts ievainojums. Turiet precī aiz paredzētajiem rokturiem un ierobežojiet darba laiku, un pakļaušanu.
- Saskarsme ar troksni var radīt dzirdes traucējumus. Valkājiet ausu aizsargu un ierobežojiet saskarsmi.
- Acu savainojumi lidojošu atkritumu dēļ. Vienmēr nēsājiet acu aizsardzību.

RISKA SAMAZINĀŠANA

Ir ziņots, ka rokās turamu preču vibrācijas dažām personām var veicināt „Reino sindromu”. Simptomi var ietvert pirkstu tinkšķēšanu, nejutīgumu un nobālēšanu, parasti aukstā laikā. Tiek uzskatīts, ka

tradicionālie faktori, aukstums un mitrums, uzturs, smēķēšana un darba prakse sekmē šo simptomu attīstību. Operators var veikt pasākumus, lai iespējami samazinātu vibrācijas efektu:

- Aukstā laikā ķermenim jābūt siltam. Kad darbināt precī valkājiet cimdus, lai rokas un plaukstu locītavas būtu siltas. Ir pētījumi, ka auksts laiks ir galvenais faktors, kas veicina Reino sindromu.
- Ik pēc laika apturiet darbu un veiciet vingrinājumus, kas uzlabo asins cirkulāciju.
- Strādājot jābūt biežiem pārtraukumiem. Ierobežojiet iedarbības ilgumu dienā.

Ja jūs izjūtat kādu no šiem simptomiem, nekavējoties apturiet ierīces lietošanu un sazinieties ar ārstu par šiem simptomiem.

▲ BRĪDINĀJUMS

Ilgstoša preces lietošana var radīt ievainojumus vai pasliktināt jau esošos. Ilgstoši lietojot jebkuru instrumentu, pārliecinieties, ka tiek veikti regulāri pārtraukumi.

PAZĪSTIET SAVU IERĪCI

Skatīt 131. lappusi

1. Aizmugurējais rokturis
2. Atbloķēšanas poga
3. Mēlīte
4. Priekšējais rokturis
5. Drošības jostas
6. Augšējā vārpsta
7. Apakšējā vārpsta
8. Drošības aizsargs
9. Atgriešanas asmens
10. Griešanas aukla
11. Auklas kārba
12. Strāvas vads
13. Auklas aizturis
14. Spoles pārsegs
15. Spole
16. Cilpa

UZ PRECES ESOŠIE SIMBOLI



Pirms preces darbināšanas izlasiet un izprotiet visus norādījumus, ievērojiet visus brīdinājumus un drošības norādījumus.



Valkājiet acu aizsargaprīkojumu



Valkājiet ausu aizsargu.



Neizmantojiet metāla asmeņus.



Nepakļaujiet lietum vai mitriem apstākļiem.



Izņemiet spraudni no padeves tieši pirms apkopes vai ja vads ir bojāts, sagriezts vai sapinies.



Sargieties no izmestiem vai lidojošiem priekšmetiem. Rūpējieties, lai visi tuvumā stāvošie, īpaši bērni un dzīvnieki atrastos vismaz 15m attālumā no darba zonas



Turiet rokas pa gabalu no asmeņiem.



2. klases instruments, dubulta izolācija



Izlietotie elektroprodukti nedrīkst tikt izmesti kopā ar majsaimniecības atkritumiem. Lūdzu, nododiet tos attiecīgajās atk ār totas izmantošanas vietās. Sazinieties ar savu vietējo varas pārstāvi vai izplatītāju, lai noskaidrotu, kur iespējama atkārtota pārstrāde.



Ukrainas apstiprinājuma zīme



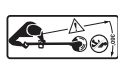
Darbarīks atbilst visām normām ES valstī, kurā tas ir iegādāts.



EurAsian atbilstības marķējums



Garantētais skaņas jaudas līmenis ir 96 dB.



Sargieties no izmestiem vai lidojošiem priekšmetiem. Atturiet skatītājus drošā attālumā no mašīnas.

SIMBOLI ŠAJĀ ROKASGRĀMATĀ



Pievienojiet enerģijas avotam



Atvienojiet no enerģijas avota



Atsevišķi nopērkamās daļas vai piederumi



Piezīme



Brīdinājums

Lai izskaidrotu risku, kas saistīti ar izstrādājumu, līmeni, paredzēti šādi norādījuma vārdi un jēdzieni.

BĪSTAMI

Norāda draudošo bīstamo situāciju, kas, ja no tās neizvairās, var novest pie nāves vai nopietnas traumas.

BRĪDINĀJUMS

Norāda potenciālo bīstamo situāciju, kas, ja no tās neizvairās, var novest pie nāves vai nopietnas traumas.

UZMANĪBU

Norāda potenciālo bīstamo situāciju, kas, ja no tās neizvairās, var novest pie nelielas vai vidējas traumas.

UZMANĪBU

Bez drošības brīdinājuma apzīmējuma

Norāda uz situāciju, kas var radīt īpašuma bojājumus.

Projektuojant elektrinę lyninę žoliapjovę, didžiausias prioritetas suteiktas saugai, eksploatacinėms savybėms ir patikimumui.

NAUDOJIMO PASKIRTIS

Gaminys skirtas naudoti lauke, jį valdant stacioniis, einant.

Įrenginys skirtas pjauti žolę, smulkesnes piktžoles ir kitą panašią neaukštą augmeniją. Pjovimo plokštuma turi būti maždaug lygiagrečiai žemės paviršiui.

See seade ei ole ette nähtud hekkide, põõsaste või muude taimede lõikamiseks lõiketaspinnas, mis ei ole maapinnaga paralleelne.

BENDRIEJI SAUGOS ĮSPĖJIMAI

⚠ ĮSPĖJIMAS

Būtina laikytis saugos reikalavimų naudojantis šiuo produktu. Dėl savo pačių ir šalia esančių asmenų saugumo, perskaitykite šias instrukcijas prieš pradėdami dirbti prietaisu. Šias instrukcijas reikia išsaugoti ateičiai.

⚠ ĮSPĖJIMAS

Seade ei ole ette nähtud kasutamiseks laste või nende isikute poolt, kellel on piiratud füüsilised, vaimsed või sensoorsed võimed. Vaikus reikia tinkamai prižiūrėti, kad jie nežaistų su krūmapjove.

⚠ ĮSPĖJIMAS

Kai kuriuose regionuose taisyklės riboja įrenginio naudojimą. Kreipkitės patarimo į vietos įstaigą.

APMOKYMAS

- Šiogaminio jokiubūdunegalimaleistinaudoti vaikams ar asmenims, nesusipažinusiems su šiomis instrukcijomis. Vietos įstatymai gali apriboti įrengimo operatoriaus amžių.
- Atidžiai perskaitykite instrukcijas. Būtina susipažinti su gaminio valdymo įtaisais ir tinkamo naudojimo nurodymais.
- Pašaliniai asmenys, vaikai ir gyvūnai turi būti 15m atstumu nuo genėjimo vietos. Į apdirbamą plotą jėsus pašaliniam asmeniui, gaminį reikia sustabdyti.

- Gaminio joku būdu negalima naudoti pavargus, sergant ar apsvaigus nuo alkoholio, narkotinių medžiagų ar vaistų.
- Turėkite omenyje, kad operatorius arba vartotojas yra atsakingas už nelaimingus atsitikimus arba kitiems asmenims ar jų turtui sukeltą pavojų.

ELEKTRIOHUTUS

- Maitinimo kištukai turi atitikti lizdą. Niekada nekeiskite kištuko. Su įžemintais (įžeminimo) elektriniais įrankiais niekada nenaudokite kištukų adapterių. Nepakeisti kištukai ir atitinkantys lizdai sumažina elektros smūgio pavojų.
- Saugokitės, kad jis netyčia neužsivestų. Enne toitejuhtme ühendamist veenduge alati, et toitelüliti on väljalülitatud asendis „OFF”. Ārge kandke toitega ühendatud tööriista sõrme lülilit hoides.
- Stenkitės nesiliesti prie įžemintų ar įžeminimo paviršių (vamzdžių, radiatorių, grandinių / viryklių, šaldytuvų). Įžeminus savo kūną, padidės elektros smūgio pavojus.
- Ārge kasutage toodet kui on äikese oht.
- Gaminio negalima naudoti ar laikyti lietuje ar drėgmėje. Į įrenginį patekęs vanduo padidina elektros smūgio pavojų.
- Elektros maitinimas turi būti paduodamas per prietaisą su srovės atjungimo (RCD), kurio išsijungimo srovės riba neturi būti didesnė, nei 30 mA.
- Kiekvieną kartą prieš naudojant įrenginį, būtina patikrinti, ar nepažeistas maitinimo laidas. Kui on vigastumise märke, tuleb see asendada pädeva elektriku poolt. Naudojant, maitinimo laidą reikia išvynioti: susukti į ritę laidai gali perkaisti.
- Je i reikia jungti pailginimo laidą, šis laidas turi būti tinkamas naudoti lauko sąlygomis, o srovė atitikti gaminio maitinimo parametrus. Pikenduskaablitel peab olema markeering “H05 RN-F” või “H05VV-F”. Kontrollige seda enne iga kasutamist vigastuste suhtes, Kerige pikendusjuhe alati lahti, sest kokku keeratud juhe võib üle kuumeneda. Pažeistų pailginimo laidų nereikia taisyti: juos reikia keisti tolygaus tipo laidais.
- Nenaudokite gaminio, jei elektros laidai apgadinti ar nusidėvėję. Kiekvieną kartą prieš naudojant įrenginį, būtina patikrinti, ar nepažeistas maitinimo laidas. Kerige

EN
FR
DE
ES
IT
NL
PT
DA
SV
FI
NO
RU
PL
CS
HU
RO
LV
LT
ET
HR
SL
SK
BG
UK
TR

pikendusjuhe alati lahti, sest kokku keeratud juhe võib üle kuumeneda.

- Jei maitinimo laidas ar prailginimo laidas naudojimosi metu būtų apgadintas, jį kuo skubiau išjunkite iš maitinimo lizdo. Nelieskite maitinimo laidų tol, kol neišjungsite maitinimo iš lizdo.
- Patikrinkite, ar maitinimo laidas tokioje padėtyje, kad jo nepažeis pjovimo įrankiai, ant jo nebūs galima užlipti, suklupti ar kitaip pažeisti ar susižeisti.
- Niekada nekelkite ir neneškite gaminio už elektros laido.
- Niekada netraukite už maitinimo laido norėdami prietaisą išjungti iš maitinimo.
- Hoidke toitejuhe eemale kuumusest, õlist ja teravatest servadest.
- Elektros įtampa turi atitikti gaminio parametrus. Pavadinimo plokštelėje ant gaminio nurodoma prietaiso įtampa. Niekada nejunkite produkto prie AC įtampos šaltinio, kurio skirtinga įtampa.
- Patikrinkite, ar jungiklis yra išjungimo (Off) padėtyje prieš išjungdami prietaisą iš maitinimo lizdo.

PARUOŠIMAS

- Naudodami šį įrenginį, dėvėkite pilną akių ir klausos apsaugą. Dirbant zonoje, kurioje gali kristi objektai, būtina dėvėti galvos apsaugos priemones.
- Klausos apsauga gali riboti operatoriaus gebėjimą išgirsti įspėjamuosius garsus, kreipti konkretų dėmesį į potencialius pavojus aplink darbo plotą ir pačiame plote.
- Dėvėkite sunkias ilgas kelnes, batus ir pirštines. Nedėvėkite dukšlių drabužių, trumpų kelnų, papuošalų ir atviros avalynės.
- Ilgus plaukus reikia susegti virš pečių lygio, kad neįsipainiotų į judančias dalis.
- Prieš naudodami įrenginį ir po bet kokio jo sutrenkimo patikrinkite, ar nėra pakenktų dalių. Nekokybišką jungiklį ar pakenktą arba susidėvėjusią dalį reikia tinkamai sutaisyti arba pakeisti. Dalis keisti gali tik įgaliotas techninio aptarnavimo centras.
- Patikrinkite, ar pjovimo įtaisas tinkamai sumontuotas ir pritvirtintas.
- Gaminio jokia būdu negalima naudoti, jeigu nėra tinkamai pritvirtinti apsauginiai įtaisai, kreiptuvai ir rankenos.
- Prieš pradėdami naudoti elektrinius

įrankius atidžiai apžiūrėkite darbo aplinką. Darbo plote negali mėtytis laidai, pagaliai, akmenys ir nuolaužos, kurie, įstrigę pjovimo įtaise, iš jo „iššauna“.

JŪHVTRIMMERI OHUTUSEESKIRJAD

- Niekada neleiskite naudotis šiuo gaminiu vaikams ar asmenims, nesusipažinusiems su šiomis instrukcijomis.
- Naudokite šį gaminį dienos šviesoje ar esant geram dirbtiniam apšvietimui.
- Venkite naudoti ant drėgnos žolės.
- Pjaudami, neikite atbulomis.
- Visada tvirtai stovėkite ir išlaikykite pusiausvyrą. Nepersitempkite. Persitempę galite prarasti pusiausvyrą. Būtinai patikrinti, ar tvirtas pagrindas po kojomis atšlaitėse, ir eiti – jokia būdu nebėgti.
- Hoidke kõiik kõrvalseisjad, lapsed ja lemmikloomad tööalalt vähemalt 15 meetri kaugusele, Kui keegi tööpiirkonda siseneb, siis seisake kultivaator.
- Pjovimo įtaisą laikykite žemiau juosmens.
- Niekada nedirbkite šiuo gaminiu, jei apgadintos apsaugos arba jei apsaugos neuždėtos.
- Nenaudokite metalinių juostų.
- Prieš įjungdami variklį nestovėkite per arti žoliapjovės, saugokite rankas ir kojas.
- Ettevaatust! Lõiketera liigub edasi ka siis, kui mootor on välja lülitatud.
- Saugokitės iš pjovimo įtaiso „iššaunamų“ objektų. Prieš pradėdami darbą, iš darbo ploto pašalinkite nuolaužas, tokias kaip nedideli akmenukai, žvyras ir kiti pašaliniai daiktai. Vietos arba virvelės gali įsipainioti pjovimo įtaisuose.
- Išjunkite prietaisą iš atjunkite maitinimą prieš:
 - aptarnavimas
 - gaminio palikimas be priežiūros
 - įrenginio valymas arba kamščių naikinimas
 - priedų keitimas
 - patikrinkite, ar prietaisas neapgadintas po sutrenkimo į kitą daiktą
 - patikrinkite šį gaminį dėl apgadavimo, jei jis pradeda neiįprastai vibruoti
 - techninės priežiūros atlikimas
- Maža geležtė, pritaisyta prie vejos apsauginio aptvaro, skirta reikiamu ilgiu apkarpyti išlindusias ataugas, kad būtų



saugu ir gražu. See on väga terav, ärge seda puhastamise ajal puudutage.

- Visada patikrinkite, ar ventilavimise ango nēra uzsikisusios atliekomis.
- Veenduge, et lōikeorgan on ōigesti paigaldatud ja kindlalt kinnitatud.
- Patikrinkite, ar visos apsaugos, deflektorai, rankenos tinkamai ir patikimai pritvirtintos.
- Ārge muutke seadme konstruksiooni mingil moel, sellega suurendate iseenda ja kōrvalseisjate kehavigastuste ohtu.
- Keitimui naudokite tik gamintojo pjovimo lynā. Nenaudokite jokio kito pjovimo ītairo.
- Kohe minna vālja ja eraldage voluvōrgust kord, kui ōnnetus vōi rike. Ārge kasutage toodet uuesti, kuni see on tāielikult kontrollitud volitatud teeninduskeskuse.

TRANSPORTIMINE JA HOIUSTAMINE

- Enne hoiule paneku vōi teisaldamise alustamist seisake mootor.
- Nuo īrankio nuvalykite visas pašalines medžiagas. Laikykite vēsioje, sausoje, gerai vēdinamoje ir vaikams nepasiekiamoje vietoje. Nelaikykite jo arti nuo tokių korozijā sukeliančių reagentų kaip cheminēs sodininkystēs medžiagos arba druskos, naudojamos prieš apledėjimā. Nelaikykite lauke.
- Prietaisā laikykite visada išjungē iš maitinimo lizdo ir suvyniojē laidā.
- Vedamise ajal tōkestage trimmer liikuma hakkamise ja alla kukkumise vastu, et vāltida kehavigastusi ja osade kahjustamist.

PRIEŽIŪRA

▲ IŠPĒJIMAS

Keitimui naudokite tik originalias gamintojo atsargines dalis. Neoriginalios dalys gali bŭti sužeidimŭ ir īrenginio blogo veikimo priežastis, ir dēl to gali bŭti anuliuotas garantinis pažymėjimas.

▲ IŠPĒJIMAS

Aptarnavimā atlikti bŭtina itin atidžiai, todėl rekomenduojame, kad techninē apžiūrā vykdytŭ kvalifikuotas specialistas. Techninei apžiūrai atlikti patariame grāžinti prietaisā į artimiausią įgaliotą paslaugų teikimo tarnybą. Sugedusias detales keiskite tik originaliomis detalėmis.

- Prieš pradėdami priežiūros ar valymo darbus, krūmapjovę išjunkite ir atjunkite nuo maitinimo tinklo.
- Galite prietaisą reguliuoti ir taisyti kaip aprašyta šiuose nurodymuose. Dėl kitų remonto darbų kreipkitės į įgaliotą techninio aptarnavimo centrą.
- Seną stygą keisti tik nailono pluošto styga, kurios skersmuo nurodytas šio vadovo specifikacijų lentelėje.
- Ištiesus naują pjovimo įtaiso lyną, prieš pradėdant darbą, reikia būtinai grāžinti įrenginį į jo įprastą darbo padėtį.
- Po kiekvieno naudojimo, išvalykite įrenginį sausu švelnaus audinio gabalėliu. Bet kurią apgadintą detalę leidžiama remontuoti arba keisti tik autorizuotame aptarnavimo centre.
- Dažnai tikrinkite visas veržles, varžtus ir sraigtus, ar jie tvirtai laikosi ir ar įranga yra saugios darbo būklės stovyje.

ŠALUTINIAI PAVOJAI

Net naudojant gaminį pagal nurodymus, neįmanoma visiškai atmesti visų pavojaus veiksnių. Gali kilti toliau nurodyti pavojai, todėl operatorius turi būti itin dėmesingas, kad išvengtų šių dalykų:

- Vibracijos sukeltas sužalojimas. Laikyti gaminį už tam skirtų rankenų ir riboti darbo laiką bei buvimą sveikatai žalingoje aplinkoje.
- Ilgai būnant triukšme, galima pakenkti klausą. Dėvėkite akių apsaugą ir ribokite poveikio trukmę.
- Akių traumos dėl ištiškusių nuolaužų. Būtinai dėvėti akių apsaugą.

RIZIKOS MAŽINIMAS

Nustatyta, kad rankinių įtaisų keliama vibracija kai kuriems asmenims paskatina Reino sindromo vystymąsi. Šios ligos požymiai yra pirštų dilgčiojimas, nutirpimas ir pabalimas, paprastai pasireiškiantis nuo šalčio. Šie simptomai vystosi dėl paveldimų veiksnių, nesisaugant nuo šalčio ir drėgmės, dėl mitybos, rūkymo ir darbo praktikos. Operatorius gali imtis šių priemonių, kurios gali sumažinti vibracijos poveikį:

- Apsirenkite kuo šilčiau šaltu oru. Naudojant gaminį, reikia mūvėti pirštines, kad plaštakos ir riešai neatšaltų. Turime

EN
FR
DE
ES
IT
NL
PT
DA
SV
FI
NO
RU
PL
CS
HU
RO
LV
LT
ET
HR
SL
SK
BG
UK
TR



pranešimų, kad Raynaud sindromas labiausiai vystosi nuo šalto oro sąlygų.

- po darbo kiekvieną kartą pasportuokite, kad pagerėtų kraujo apytaka;
- dažnai darykite darbo pertraukas. Apribokite darbo laikotarpį per dieną.

Jei jums pasireiškia kokie nors šios būklės simptomai, nedelsdami nutraukite darbą ir kreipkitės į gydytoją.

▲ ĮSPĖJIMAS

Ilgiau naudojant, įrankis kelia sužeidimų pavojų ir apsunkina darbą. Ilgiau naudojant įrankius, reikia reguliariai daryti pertraukas.

PAŽINKITE SAVO GRANDININĮ PJŪKLĄ

Žr. 131 psl.

1. Galinė rankena
2. Atrakimo mygtukas
3. Perjungiklis
4. Priekinė rankena
5. Saugos diržai
6. Viršutinis strypas
7. Apatinis velenas
8. Saugos apsauginis aptvaras
9. Nupjovimo geležtė
10. Pjovimo linija
11. Amortizatorius
12. Maitinimo laidas
13. Laido fiksatorius
14. Ritės dangtelis
15. Ritė
16. Kilpelė

SIMBOLIAI ANT ĮRENGINIO



Prieš naudodami įrenginį, atidžiai perskaitykite instrukcijas, laikykitės įspėjimų ir saugos nurodymų.



Dėvėkite apsauginius akinius



Dėvėkite klausos apsaugą.



Prietaise nemontuokite metalinės(-ių) geležtės(-čių).



Nenaudoti lyjant ar esant drėgnoms sąlygoms.



Prieš atliekant priežiūros darbus arba jeigu laidas pažeistas, įpjautas ar įsinarpliojęs, reikia nedelsiant ištraukti kištuką iš elektros maitinimo tinklo.



Saugokitės išmetamų arba skrendančių objektų. Visi pašaliniai asmenys, ypač vaikai ir naminiai gyvūnai, turi būti ne arčiau kaip 15m nuo darbo vietos.



Laikykite rankas atokiai nuo lyno nupjovimo geležtės.



II klasės įrankis, dviguba izoliacija



Elektrinių produktų atliekos neturi būti metamos kartu su namų ūkio atliekomis. Prašome perdirbkite jas ten, kur yra tokios perdirbimo bazės. Dėl perdirbimo patarimo kreipkitės į savo vietinę savivaldybę ar pardavėją.



Ukrainian mark of conformity



Šis prietaisas atitinka visas reglamentuotas normas ES šalies, kur jis buvo nupirktas.



„EurAsian“ atitikties ženklas



Garantuotas garso galios lygis yra 96 dB.



Saugokitės išmetamų arba skrendančių objektų. Įsitikinkite, kad atstumas tarp prietaiso ir pašalinių asmenų yra saugus.

SIMBOLIAI VADOVE



Pajunkite į maitinimo lizdą



Išjunkite iš maitinimo lizdo



Detalės arba priedai yra parduodami atskirai



Pastaba



Warning

Šie signaliniai žodžiai yra skirti nurodyti su prietaiso naudojimu susijusio pavojaus lygį.

PAVOJUS

Reiškia ypač pavojingą padėtį, kurios neišvengus bus patirti sunkūs ar net mirtini sužeidimai.

ĮSPĖJIMAS

Reiškia potencialiai pavojingą situaciją, kurios neišvengus galimi sunkūs ar net mirtini sužeidimai.

ATSARGIAI

Reiškia potencialiai pavojingą situaciją, kurios neišvengus galimi lengvi ar vidutinio sunkumo sužeidimai.

ATSARGIAI

Be įspėjamųjų simbolių

Reiškia nuosavybės žalos tikimybę.

Teie elektrilise jõvtrimmeri konstrueerimisel on peaeesmärgiks olnud toote ohutus, tootlikkus ja töökindlus.

OTSTARBEKOHANE KASUTAMINE

Kultivaator on ette nähtud kasutamiseks vaid väljaspool ruume püstiseisva operaatori poolt edasi lükatuna.

See seade on ette nähtud rohu, kerge umbrohu ja sarnaste taimede lõikamiseks maapinnal või selle lähedal. Lõiketapind peab olema maapinnaga ligikaudu paralleelne.

See seade ei ole ette nähtud hekkide, põõsaste või muude taimede lõikamiseks lõiketapinnas, mis ei ole maapinnaga paralleelne.

OHUTUSE ÜLDEESKIRJAD

⚠ HOIATUS

Seadme kasutamisel tuleb järgida ohutusreegleid. Teie ja kõrvalseisjatele ohutuse tagamiseks lugege käesolevad juhised enne seadme kasutamist läbi. Hoidke juhend edaspidiseks kasutamiseks alles.

⚠ HOIATUS

Seade ei ole ette nähtud kasutamiseks laste või nende isikute poolt, kellel on piiratud füüsilised, vaimsed või sensoorsed võimed. Laste järele tuleb piisavalt valvata, et nad seadmega ei mängiks.

⚠ HOIATUS

Mõnedes piirkondades on seadused, mis piiravad selle toote kasutamist. Lisateavet saate kohalikust omavalitsusest.

VÄLJAÕPE

- Ärge laske kultivaatorit kasutada lastel ega neil, kes ei ole käesoleva juhendiga tutvunud. Kohalikud regulatsioonid võivad seada kasutaja vanusele piiranguid.
- Lugege juhised hoolikalt läbi. Õppige tundma kõiki seadme juhtseadiseid ja kasutusnõudeid.
- Hoidke kõik kõrvalseisjad, lapsed ja lemmikloomad tööalalt vähemalt 15 meetri kaugusele. Kui keegi tööpiirkonda siseneb,

siis seisake kultivaator.

- Ärge kasutage kultivaatorit väsinuna või haigena ega siis, kui olete uimastite, alkoholi või ravimite mõju all.
- Pidage meeles, et operaator või kasutaja on vastutav õnnetuste või ohuolukordade eest, mis võivad puudutada teisi inimesi või nende vara.

ELEKTROIHUTUS

- Toitepistikud peavad pistikupessa sobima. Ärge püüdke pistiku konstruktsiooni mingil moel muuta. Ärge ühendage maanduskontaktiga (kordusmaandusega) elektritööriistu elektrivõrku läbi vahepistikke. Pistiku ja pistikupesa konstruktsiooni muutmise korral tekib elektrilöögi oht.
- Vältige soovimatut käivitumist. Enne toitejuhtme ühendamist veenduge alati, et toitelüliti on väljalülitatud asendis „OFF”. Ärge kandke toitega ühendatud tööriista sõrme lülitil hoides.
- Hoiduge kehalisest kontaktist maandatud pindadega, näiteks torud, radiaatorid, elektripliidid ja külmikud. Kehaosade maandamisel suureneb elektrilöögi saamise oht.
- Ärge kasutage toodet kui on äikese oht.
- Ärge jätke kultivaatorit vihma kätte või märga kohta. Vee sattumisel seadme sisemusse suureneb elektrilöögi saamise oht.
- Elektriline tööriist tuleb ühendada vooluvõrku läbi rikkevoolu-kaitselüliti (RCD), mille rakendusvoolu tugevus on maksimaalselt 30 mA.
- Enne iga kasutuskorda kontrollige toitejuhe üle vigastuste suhtes. Kui on vigastumise märke, tuleb see asendada pädeva elektriku poolt. Kerige toitejuhe alati lahti, sest kokku keeratud juhe võib üle kuumeneda.
- Kui teil on vaja kasutada pikendusjuhet, veenduge et see on välistingimuste jaoks sobiv ja teie tööriista jaoks piisava ristlõikega. Pikenduskaablitel peab olema markeering “H05 RN-F” või “H05VV-F”. Kontrollige seda enne iga kasutamist vigastuste suhtes, Kerige pikendusjuhe alati lahti, sest kokku keeratud juhe võib üle kuumeneda. Ärge hakake vigastatud pikendusjuhet parandama, vaid asendage teise sobivat tüüpi juhtmega.



- Kui kahtlustate, et elektrijuhe on mingil moel vigastada saanud, siis ärge toodet kasutage. Enne iga kasutuskorda kontrollige toitejuhe üle vigastuste suhtes. Kerige pikendusjuhe alati lahti, sest kokku keeratud juhe võib üle kuumeneda.
- Kui toitejuhe või pikendusjuhe saab kasutamise ajal vigastada, ühendage seade toitevõrgust kohe välja. Ärge puudutage elektrijuhtmeid enne, kui toide on lahti ühendatud.
- Veenduge, et toitejuhe asetseb nii, et see ei saa teravate esemete sisselõike tõttu vigastada, sellele ei saa peale astuda, komistada ja see ei saa mingil muul viisil vigastada ega sattuda tõmbepinge alla.
- Ärge kunagi tõstke või kandke toodet juhtimest hoides.
- Ärge kunagi ühendage toitejuhet lahti sellest tõmmates.
- Hoidke toitejuhe eemale kuumusest, õlist ja teravatest servadest.
- Veenduge, et võrgupinge vastab seadmel kasutatavale pingele. Toote tehasesildil on näidatud kasutatav pinge voltides. Ärge mingil juhul ühendage seadet AC-võrku, millel on sellest erinev pinge.
- Enne toitejuhtme lahtiühendamist veenduge, et lüliti on asendis "OFF".

ETTEVALMISTUSTOIMINGUD

- Kandke selle seadme kasutamisel kaitseprille ja kõrvaklappe. Töötamisel kohtades, kus on allakukkivate esemete oht, tuleb kanda kiivrit.
- Kuulmiskaitse võib piirata kasutaja võimet kuulda hoiatussignaale, seetõttu pöörake tähelepanu tööpiirkonnas ja selle ümbruses olevatele ohtudele.
- Kandke tugevast riidest pikki pükse, saapaid ja kindaid. Ärge kandke lõtvu riideid, lühikesi pükse, mistahes ehteid ega töötage paljajalu.
- Kinnitage pikad juuksed õlgadest kõrgemale, et vältida nende takerdumist liikuvate osade vahele.
- Enne töötamise alustamist kontrollige, et seadme osad ei ole vigastatud. Vigastatud lüliti ja vigastatud osad tuleb lasta pädeval hooldajal parandada või asendada.
- Veenduge, et lõikeorgan on õigesti paigaldatud ja kindlalt kinnitatud.
- Ärge hakake masinat enne kasutama, kui

olete veendunud, et kõik kaitsed, suunajad ja käepidemed on õigesti ja ohutult kinnitatud.

- Hinnake keskkonda, kus töötate. Hoidke töökoht vaba traatidest, vaiadest, kividest ja prahist, mis võivad lõikeorganiga kokku puutudes välja paiskuda.

JÕHVTRIMMERI OHUTUSESKIRJAD

- Ärge laske toodet kasutada lastel või inimestel, kes ei ole käesoleva juhendiga tutvunud.
- Kasutage toodet päevalguse või hea tehisvalguse korral.
- Vältige märjas rohus kasutamist.
- Ärge liikuge seadme kasutamisel selg ees.
- Hoidke kindlat jalgade asendit ja tasakaalu. Ärge kummardage. Kummardamine võib põhjustada tasakaalu kadumist. Kallakul töötamisel tagage endale kindel jalgealune, ärge liikuge ega tehke kiireid liigutusi.
- Hoidke kõik kõrvalseisjad, lapsed ja lemmikloomad tööalalt vähemalt 15 meetri kaugusele. Kui keegi tööpiirkonda siseneb, siis seisake kultivaator.
- Hoidke lõikepead allapoole vööd.
- Ärge kunagi kasutage toodet kui kaitse on vigastatud või ei ole oma kohale paigaldatud.
- Ärge paigaldage metallist asendustera.
- Hoidke jalad ja käed alati eemal lõikepeast ja eriti siis, kui lülitate mootori sisse.
- Ettevaatust! Lõiketera liigub edasi ka siis, kui mootor on välja lülitatud.
- Hoidke eemale lõikeorgani poolt ülespaisatud esemete eest. Enne töö alustamist puhastage tööpiirkond väikestest kividest, kruusast ja muust lahtisest materjalist. Traadid ja nõõrid võivad takerduda lõiketeradesse.
- Lülitage seade välja või ühendage vooluvõrgust lahti enne kui teete järgmist:
 - teenindamine
 - toote jätmisel järelevalveta
 - puhastamine ja ummistuse kõrvaldamine
 - lisatarvikute vahetamine
 - kõikide vigastuste ülekontrollimine pärast lööki mõne eseme vastu
 - kõikide vigastuste ülekontrollimine kui toode hakkab ebanormaalselt vibreerima
 - hooldustööde tegemine

EN
FR
DE
ES
IT
NL
PT
DA
SV
FI
NO
RU
PL
CS
HU
RO
LV
LT
ET
HR
SL
SK
BG
UK
TR





- Väike lõiketera, mis on kinnitatud suunaja külge, on ette nähtud vastpaigaldatud jõhvi lõikamiseks õigesse mõõtu, et tagada ohutus ja tootlus. See on väga terav, ärge seda puhastamise ajal puudutage.
- Veenduge, et ventilatsioonivad on kogu aeg prahist puhtad.
- Veenduge, et lõikeorgan on õigesti paigaldatud ja kindlalt kinnitatud.
- Veenduge, et kõik kaitsed, suunajad ja käepidemed on õigesti ja ohutult kinnitatud.
- Ärge muutke seadme konstruktsiooni mingil moel, sellega suurendate iseenda ja kõrvalseisjate kehavigastuste ohtu.
- Kasutage ainult tootja poolt tarnitud jõhvi. Ärge kasutage mingit muud lõikeorganit.
- Kohe minna välja ja eraldage vooluvõrgust kord, kui õnnetus või rike. Ärge kasutage toodet uuesti, kuni see on täielikult kontrollitud volitatud teeninduskeskuse.
- Enne iga hooldus- või puhastustöö alustamist lülitage seade välja ja ühendage toide lahti.
- Siinkohal kirjeldatud reguleerimis- ja remonttöid võite teha ise. Muude remonditööde tegemiseks võtke ühendust volitatud hooldajaga.
- Asendusjõhvina kasutage vaid sellise läbimõõduga nailonjõhvi, mis on esitatud selle kasutusjuhendi tehniliste andmete tabelis.
- Pärast uue trimmerijõhvi paigaldamist seadke trimmer enne käivitamist tavatööasendisse.
- Pühkige trimmer pärast iga kasutuskorda pehme kuiva lapiga puhtaks. Vigastatud osad tuleb lasta pädeval hooldajal parandada või asendada.
- Kontrollige kõiki mutreid, polte ja kruvisid sagedaste intervallidega õige pinguloleku suhtes, et vältida seadme ohutus töökorras olemises.

TRANSPORTIMINE JA HOIUSTAMINE

- Enne hoiule paneku või teisaldamise alustamist seisake mootor.
- Puhastage seade kõikidest võõrkehadest. Hoidke kuivas ja hästi ventileeritud kohas, mis on lastele juurdepääsmatu. Hoidke ketsaagi eemal söövitavatest ainetest nagu aiakemikaalid ja jäätõrjevahendid. Ärge hoiustage õues.
- Hoiustamise ajaks ühendage seade toitevõrgust välja ja kerige juhe kokku.
- Vedamise ajal tõkestage trimmer liikuma hakkamise ja alla kukkumise vastu, et vältida kehavigastusi ja osade kahjustamist.

HOOLDUS

⚠ HOIATUS

Kasutage ainult tootja originaalvaruosi, tarvikuid ja tööorganeid. Selle nõude eiramine võib põhjustada, kehavigastuse, tootluse languse ja teile antud garantii tühistamise.

⚠ HOIATUS

Hooldamine nõuab ülimalt korrashoidu ja teadmisi ning tuleks teostada ainult kvalifitseeritud hooldustehnikute poolt. Hoolduseks soovitate me viia toote remontimiseks lähimasse või lit atud teenind uskesk usesse . Kui hooldate, kasutage ainult identseid varuosi.

JÄÄKRISKID

Isegi siis, kui kultivaatorit kasutatakse kirjeldatud viisil, ei ole võimalik kõrvaldada kõiki jääkriskide mõjureid. Töötamise ajal võivad tekkida järgmised ohud, millele operaator peab pöörama erilist tähelepanu.

- Vibratsioonist põhjustatud kehavigastus. Hoidke kultivaatorit kinni selleks ette nähtud käepidemetest ja piirake tööaega ning vibratsiooniga kokkupuudet.
- Tugev müra võib põhjustada kuulmiskahjustuse. Kandke kuulmiskaitsevahendeid ja piirake müraga kokkupuudet.
- Silmade vigastamise oht lendavast prahist. Kandke alati silmakaitsevahendeid.

RISKI ALANDAMINE

Teadaolevalt võib käsitööriistade kasutamine põhjustada mõnedel inimestel seisundit, mida nimetatakse Raynaud' sündroomiks. Sümptomidena võib ilmned sorme tuisum ja valkjaks muutumine, mis tavaliselt ilmneb külmas töötamisel. Nende sümptomite puhul tuleb hoiduda külmast ja niiskusest, dieedist ning suitsetamisest ja kasutada õigeid töövõtteid. Vibratsiooni mõju vähendamiseks tuleb rakendada järgmisi abinõusid.

- Külma ilmaga hoidke oma keha soe.



Kandke kindaid, et hoida oma käed ja randmed soojad. Uuringud näitavad, et Raynaud's Syndrome ilmneb põhiliselt külma ilmaga.

- Pärast külmas töötamist tehke harjutusi, et verearvust kiirendada.
- Tehke regulaarselt töovaheegasid. Piirake tööperioodi pikkust.

Kui ilmnevad haigustunnused, lõpetage kohe töö ja pöörduge arsti poole.

⚠ HOIATUS

Seadme pikaajalisel kasutamisel võite saada kehavigastusi ja varasemad vigastused võivad süveneda. Seadme kasutamisel pika aja jooksul tuleb teha korralisi vaheegasid.

ÕPPIGE OMA TOODET TUNDMA

Vt leht 131.

1. Tagumine käepide
2. Väljalülitamise lukustusnupp
3. Päästik
4. Eesmine käepide
5. Rakmed
6. Ülemine vars
7. Alumine vars
8. Kaitsekate
9. Mahalõiketera
10. Lõikejõhv
11. Löökketteandega lõikepea
12. Toitejuhe
13. Juhtmekinniti
14. Pooli kate
15. Jõhvi pool
16. Jõhvi silm

MASINAL OLEVAD SÜMBOLID



Enne seadmega töö alustamist lugege kõik juhised hoolikalt läbi ja pidage kinni hoiatustest ja ohutusega seotud juhistest.



Kandke silmakaitsevahendeid



Kasutage kõrvaklappe.



Ärge kasutage seadmel metallist lõiketera(sid).



Ärge jätke vihma kätte või kasutage niiskes kohas.



Kui toitejuhe on vigastatud, sellel on sisselõikeid või see on keerdus, siis ühendage pistik vooluvõrgust enne parandamist kohe lahti.



Hoiduge ülespaisatud ja lendavate esemete eest. Hoidke kõik kõrvalseisjad, eriti lapsed ja lemmikloomad tööalalt vähemalt 15 meetri kaugusele.



Hoidke käed mahalõiketerast eemal.



Tööriista klass II, topeltisolatsiooniga



Mittekasutatavaid elektritooteid ei tohi visata olmejäätmete hulka. Vaid tuleb viia vastavasse kogumispunkti. Vajadusel küsige sellekohast nõu oma edasimüüjalt või vastavalt kohaliku omavalitsuse institutsioonilt.



Ukraina vastavusmärgis



Vastab kõigile eeskirjadele EL-i liikmesriigis, kus toode on ostenud.



Euraasia vastavusmärk



Garanteeritud helivõimsuse tase on 96 dB.



Hoiduge ülespaisatud ja lendavate esemete eest. Hoidke kõrvalseisjad masinast ohutus kauguses.

KASUTUSJUHENDI SÜMBOLID



Ühendage pistikupessa



Võtke pistikupesast välja



Eraldi ostetavad osad või
tarvikud



Märkmed



Hoiatus

Järgnevad märguandesõnad ja tähendused on mõeldud selle toote kasutamisega seotud riskitasemete kirjeldamiseks.

⚠ OHT.

Viitab kohe tekkivale ohtlikule situatsioonile, mis, kui ei väldita, lõpeb surma või tõsise vigastusega.

⚠ HOIATUS

Viitab võimalikule ohtlikule situatsioonile, mis, kui ei väldita, võib lõppeda surma või tõsise vigastusega.

⚠ ETTEVAATUST

Viitab võimalikule ohtlikule situatsioonile, mis, kui ei väldita, võib lõppeda väiksemate või keskmiste vigastusega.

ETTEVAATUST

Ilma hoiatussümbolita

Osutab olukorrale, mis võib põhjustada varakahju.

Maksimalni prioriteti u sigurnosti, performansama i pouzdanosti dati su u razvoju električni trimer.

NAMJENA

Ovaj proizvod namijenjen je samo za korištenje na otvorenom od strane operatera koji hoda s proizvodom.

Ovaj proizvod namijenjen je za rezanje trave, sitnog korova i slične vegetacije na ili oko razine tla. Ravnina rezanja treba približno biti paralelna s površinom tla.

Proizvod se ne smije koristiti za rezanje ili obrezivanje živica, žbunja ili druge vegetacije gdje površina rezanja nije paralelna s površinom tla.

OPĆA SIGURNOSNA PRAVILA

⚠ UPOZORENJE

Prilikom korištenja proizvoda moraju se slijediti sigurnosna pravila. Radi vaše i sigurnosti ostalih promatrača, molimo vas da prije rada s proizvodom pročitate ove upute. Molimo vas da čuvate ovu uputu radi kasnijeg korištenja.

⚠ UPOZORENJE

Ovaj proizvod nije namijenjen za korištenje od strane djece ili osoba sa smanjenim fizičkim, psihičkim ili mentalnim mogućnostima. Djecu je potrebno odgovarajuće nadzirati kako bi se osiguralo da se ne igraju s proizvodom.

⚠ UPOZORENJE

Neke regije imaju pravila koja ograničavaju korištenje proizvoda. Provjerite kod lokalnih tijela za savjet.

OBUKA

- Nikada nemojte dopustiti korištenje proizvoda djeci ili osobama koje nisu upoznate s uputama. Moguće je da lokalni propisi propisuju starosnu dob rukovatelja.
- Pažljivo pročitaite upute. Upoznajte se sa svim upravljačkim elementima i pravilnim korištenjem proizvoda.
- Držite promatrače, djecu i kućne ljubimce

15m dalje od područja rada. Zaustavite proizvod ako bilo tko uđe u područje rada.

- Nemojte raditi s proizvodom kad ste umorni, bolesni ili pod utjecajem alkohola, droga ili lijekova.
- Imajte na umu da je rukovatelj ili korisnik odgovoran za nezgode ili opasnosti koje nastanu drugim osobama ili njihovoj imovini.

ELEKTRIČNA SIGURNOST

- Utikači moraju odgovarati utičnici. Nikada nemojte modificirati utikače ni na koji način. Nemojte koristiti nikakve adapter utikače s uzemljenim električnim alatima. Originalni utikači i odgovarajuće utičnice smanjuju opasnost od strujnog udara.
- Izbjegavajte nehotično pokretanje alatke. Prije uključivanja alata u napajanje uvijek provjerite je li prekidač u položaju Off (Isključeno). Ne nosite alatku priključenu na struju s prstom na prekidaču.
- Izbjegavajte kontakt tijela s uzemljenim površinama poput cijevi, radijatora, štednjaka i hladnjaka. Ako je vaše tijelo uzemljeno, povećava se opasnost od strujnog udara.
- Nemojte raditi s proizvodom kada postoji opasnost od munja.
- Nemojte proizvod izlagati kiši ili vlažnim uvjetima. Ulazak vode u uređaj povećava opasnost od strujnog udara.
- Napajanje treba biti putem FID sklopke (RCD uređaj) s prorađnom strujom ne većom do 30 mA.
- Prije svakog korištenja, provjerite kabel za napajanje na oštećenje. Ako postoje znakovi oštećenja, mora ga zamijeniti kvalificirani servisni tehničar. Uvijek odmotajte kabel za napajanje tijekom korištenja, namotani kabel može se ugrijati.
- Ako trebate koristiti produžni kabel, osigurajte da je prikladan za korištenje na otvorenom i da ima dovoljan kapacitet za napajanje proizvoda. Produžni kabel treba imati oznaku „H05 RN-F“ ili „H05VV-F“. Prije svakog korištenja provjerite na oštećenja. Uvijek odmotajte produžni kabel tijekom korištenja, namotani kabel može se ugrijati. Oštećene produžne kabele ne treba popravljati, treba ih zamijeniti s odgovarajućim tipom.
- Nemojte koristiti proizvod ako su električni kabeli oštećeni ili istrošeni. Prije svakog

korištenja, provjerite kabel za napajanje na oštećenje. Uvijek odmotajte produžni kabel tijekom korištenja, namotani kabel može se ugrijati.

- Ako se kabel napajanja ili produžni kabel ošteti tijekom korištenja, odmah ga odspojite iz napajanja. Nemojte dodirivati električne kabele dok napajanje nije isključeno.
- Provjerite je li kabel za napajanje pravilno pozicioniran tako da ne može biti oštećen rezanjem i da se na njega ne može stati, zapeti ili drugim predmetima oštetiti ili naprezati.
- Nikada ne podižite ili nosite proizvod za električni kabel.
- Nikada ne povlačite za kabel kako biste ga odspojili iz napajanja.
- Držite kabel podalje od topline, ulja i oštrih rubova.
- Provjerite da li je točno napajanje za vaš proizvod. Nazivna pločica na proizvodu naznačuje napon proizvoda. Nikada ne priključujte proizvod na AC napon koji se razlikuje od ovog napona.
- Prije isključivanja iz napajanja provjerite je li prekidač u položaju Off (isključeno).

PRIPREMA

- Kada radite s ovim proizvodom nosite zaštitu za oči i sluh. Ako radite u području gdje postoji opasnost od padajućih predmeta, morate nositi zaštitu za glavu.
- Zaštita za sluh može ograničiti sposobnost operatera da čuje zvukove upozorenja, obratite posebnu pozornost na moguće opasnosti u okolini i unutar radnog područja.
- Nosite hlače s dugim nogavicama, čizme i rukavice. Nemojte nositi široku odjeću, kratke hlače, nakit bilo kakve vrste ili hodati bosonogi.
- Osigurajte dugu kosu na način da je iznad razine ramena kako biste spriječili zahvaćanje u pokretne dijelove.
- Prije korištenja i nakon svakog udara provjerite da nema oštećenih dijelova. Prekidač u kvaru ili bilo koji dio da je oštećen ili istrošen trebali biste pravilno popraviti ili zamijeniti od strane ovlaštenog servisnog centra.
- Provjerite da li je priključak za rezanje pravilno instaliran i čvrsto pritegnut.

- Nikada ne radite s proizvodom ako svi štitnici, deflektori i ručke nisu pravilno i čvrsto priključeni.
- Razmotrite okoliš u kome radite. Radno područje držite čistim od žica, štapova, kamenja i ostataka koji ako se zaglave mogu postati leteći predmeti.

SIGURNOSNA UPOZORENJA ZA TIMER

- Nikada nemojte dopustiti korištenje ovog proizvoda djeci ili osobama koje nisu upoznate s ovim uputama.
- Koristite proizvod po dnevnom svjetlu ili pri dobroj vještačkoj rasvjeti.
- Izbjegavajte koristiti na mokroj travi.
- Kada koristite proizvod ne hodajte unatrag.
- Zauzmite čvrst stav i ravnotežu. Ne sežite preko određene granice. Seznanje preko određene granice može imati za posljedicu gubitak ravnoteže. Uvijek se čvrsto uprite na kosinama i hodajte, nikada ne trčite.
- Držite promatrače, djecu i kućne ljubimce 15 m dalje od područja rada., Zaustavite proizvod ako bilo tko uđe u područje rada.
- Držite priključak za rezanje ispod razine pojasa.
- Nikada nemojte raditi s proizvodom s oštećenim štitnicima ili bez postavljenih štitnika.
- Nikada ne stavljajte metal umjesto silka.
- Sve vrijeme držite ruke i noge podalje od sredstva za šišanje, a posebno kada se uključuje motor.
- Imajte na umu da se rezni elementi nastavljaju okretati nakon što je motor isključen.
- Čuvajte se odbačenih predmeta od flaksa. Očistite malene ostatke poput kamenčića, grumena i drugih stranih predmeta iz radnog područja prije rada. Žice ili flaksa se mogu upetljati odrezenim komadima.
- Ugasite i isključite iz napajanja prije:
 - servisiranje
 - ostavljanje proizvoda bez nadzora
 - čišćenje proizvoda ili čišćenje blokada
 - promjena dodatnog pribora
 - provjerite za bilo kakvo oštećenje nakon odbacivanja predmeta
 - provjerite za bilo kakvo oštećenje ako proizvod počne abnormalno vibrirati
 - izvođenje održavanja



- Mala oštrica postavljena na štitniku kosilice namijenjen je za rezanje novog produženog flaksa na točnu duljinu radi sigurnosti i optimalne učinkovitosti. Vrlo je oštra, ne dodirujete je posebice kada čistite alat.
- Osigurajte da su ventilacijski otvori uvijek čisti od krhotina.
- Provjerite da li je priključak za rezanje pravilno instaliran i čvrsto pritegnut.
- Osigurajte da su svi štitnici, deflektori i ručke pravilno i čvrsto priključeni.
- Ne modificirajte proizvod na bilo koji način, ovo može povećati opasnost od ozljede za vas i druge.
- Koristite samo proizvođačevu zamjenski flaks. Nemojte koristiti nikakav drugi priključak za rezanje.
- Odmah isključite i odspojite iz napajanja u jednom slučaju nesreće ili kvara. Nemojte ponovno raditi proizvod dok potpuno je provjeriti ovlašteni servis.

PRIJEVOZ I SKLADIŠTENJE

- Zaustavite proizvod i omogućite mu da se ohladi prije skladištenja ili prijevoza.
- Očistite svaki strani materijal s uređaja. Skladištite ga na suhom i dobro ventiliranom mjestu koje nije pristupačno djeci. Nemojte ju ostavljati u blizini korozivnih agenasa kao ni vrtnih kemijskih proizvoda i soli za odmrzavanje. Ne ostavljajte na otvorenom.
- Za skladištenje uvijek isključite napajanje i namotajte kabel.
- Za prijevoz, osigurajte uređaj protiv pomicanja ili pada kako biste spriječili povredu osoba ili oštećenja na uređaju.

ODRŽAVANJE

⚠ UPOZORENJE

Koristite samo originalne zamjenske dijelove, dodatni pribor i priključke od proizvođača. Nepoštivanje ovih uputa može dovesti do mogućih ozljeda, loše učinkovitosti i može dovesti do poništenja jamstva..

⚠ UPOZORENJE

Servisiranje iziskuje krajnju pažnju i znanje i treba da ga vrši samo kvalificirani serviser. Za servisiranje mi vam preporučamo da odnesete proizvod u najbliži ov lašteni servisni cent ar radi opravke. Prilikom servisiranja koristiti identične zamjenske dijelove.

- Isključite i odspojite iz napajanja prije izvođenja bilo kakvog posla održavanja ili čišćenja.
- Možete izvršiti podešavanja i popravke koji su opisani ovdje. Za druge popravke, obratite se ovlaštenom servisnom agentu.
- Za zamjenski flaks koristite samo najlonski flaks promjera koji je opisan u tablici specifikacija u ovom priručniku.
- Nakon produljenja novog flaksa prije uključivanja uvijek proizvod vratite u njegov uobičajeni radni položaj.
- Nakon svakog korištenja proizvod obrišite sa suhom mekom krpom. Svaki oštećeni dio trebao bi pravilno popraviti ili zamijeniti ovlašteni servisni centar.
- Često provjeravajte sve matice i zavrtnje da li su dobro pritegnuti kako biste bili sigurni da je kosilica u sigurnom radnom stanju.

OSTALE OPASNOSTI

- Čak i kad je proizvod korišten kao što je prethodno opisano, još uvijek nije moguće potpuno isključiti ostale čimbenike opasnosti. Može doći do sljedećih opasnosti prilikom korištenja i operater mora obratiti posebnu pozornost kako bi izbjegao sljedeće:
- Ozljede uzrokovane vibracijom. Držite proizvod za označene ručke i ograničite radno vrijeme i izloženost.
 - Izlaganje buci može izazvati povredu sluha. Nosite zaštitu za sluh i ograničite izloženost.
 - Ozljede oka zbog letećih krhotina. Cijelo vrijeme nosite sredstva za zaštitu očiju.

SMANJENJE OPASNOSTI

Prijavljeno je da vibracije proizvoda koje se drži u ruci kod određenih pojedinaca mogu doprinijeti stanju pod nazivom Raynaud's Syndrome. Simptomi mogu uključivati trnce, ukočenost i bjelinu prstiju, obično uočljivo po izlaganju hladnoći. Smatra se da nasljedne



osobine, izlaganje hladnoći i vlazi, dijeta, pušenje i radni postupci pridonose razvoju ovih simptoma. Postoje mjere koje operator može poduzeti kako bi smanjio moguće učinke vibracije:

- Održavajte svoje tijelo toplim u hladnim vremenskim uvjetima. Kad radite s proizvodom nosite rukavice kako biste ruke i zglobove održavali toplima. Prijavljeno je da je hladnoća glavni čimbenik koji doprinosi Raynaud's Syndrome.
- Nakon svakog perioda rada vježbajte kako biste povećali cirkulaciju krvi.
- Uzimajte česte stanke u radu. Ograničite količinu izlaganja po danu.

Ako osjetite neke od simptoma ovog stanja, odmah prekinite korištenje i obratite se svome liječniku vezano uz ove simptome.

⚠ UPOZORENJE

Povrede mogu biti uzrokovane ili zadobivene produljenim korištenjem alata. Kada koristite bilo koji alat dulje vremena, osigurajte da uzimate povremene stanke.

UPOZNAJTE SVOJ PROIZVOD

Pogledajte stranicu 131.

1. Stražnja ručica
2. Gumb za odklep
3. Sklopka za pokretanje
4. Prednja ručka
5. Remen
6. Gornja osovina
7. Donja osovina
8. Štitnik
9. Oštrica za rezanje
10. Flaks
11. Glava s flaksom
12. Kabel za napajanje
13. Držač kabela
14. Poklopac kalema
15. Kalem
16. Mali otvor za flaks

SIMBOLI NA PROIZVODU



Pročitajte i razumite sve upute prije rada s proizvodom, slijedite sva upozorenja i sigurnosne upute.



Nosite sredstva za zaštitu očiju



Nosite sredstva za zaštitu sluha.



Nemojte koristiti metalne oštrice na proizvodu.



Ne izlažite kiši ili vlažnim uvjetima.



Ako je kabel oštećen, prerezan ili zaglavljnjen, odmah uklonite utikač iz utičnice prije održavanja.



Čuvajte se odbačenih ili letećih predmeta. Držite sve promatrače naročito djecu i kućne ljubimce, na udaljenosti najmanje 15m od radnog područja.



Držite ruke dalje od rezne ploče.



Alat II razreda s dvostrukom izolacijom



Otpadni električni proizvodi ne treba da se odlažu s otpadom iz domaćinstva. Molimo da recikirate gdje je to moguće. Potražite savjet od lokalnih vlasti ili prodavca kako reciklirati.



Ukrajinska oznaka za sukladnost



Ovaj alat usklađen je sa svim normama i propisima zemlje Europske unije u kojoj je kupljen.



EurAsian znak konformnosti








Jamčena razina zvučne snage 96 dB.



Čuvajte se odbačenih ili letećih predmeta. Čuvajte promatrače na sigurnoj udaljenosti od uređaja.

SIMBOLI U OVOM PRIRUČNIKU

-  Priključite u utičnicu za napajanje
-  Isključite iz utičnice za napajanje
-  Dijelovi ili pribor prodan odvojeno
-  Napomena
-  Upozorenje

Slijedeće riječi upozorenja i značenja imaju namjeru da objasne nivo rizika u vezi s ovim proizvodom.

⚠ OPASNOST
 Ukazuje na neposrednu opasnu situaciju, koja, ukoliko se ne izbjegne, može rezultirati smrću ili opasnim povredama

⚠ UPOZORENJE
 Ukazuje na moguću opasnu situaciju, koja, ukoliko se ne izbjegne, može rezultirati smrću ili opasnim povredama

⚠ UPOZORENJE
 Ukazuje na moguću opasnu situaciju, koja, ukoliko se ne izbjegne, može rezultirati manjim ili blažim povredama

UPOZORENJE
 Bez sigurnosnog simbola upozorenja
 Naznačuje situaciju koja može rezultirati oštećenjem imovine.

Pri snovanju vašega električnega obrezovalnika trate smo največ pozornosti namenili varnosti, učinkovitosti in zanesljivosti.

NAMEN UPORABE

Izdelek je namenjen le za uporabo na prostem, pri uporabi pa mora upravljavec hoditi.

Izdelek je namenjen za košenje trave, plevla in podobnega rastlinja talne rasti. Rezilna raven mora biti približno vzporedna tlom.

Izdelka se ne sme uporabljati za obrezovanje živih mej, grmovja ali drugega rastlinja, kjer obrezovalna raven ni vzporedna s tlemi.

SPLOŠNA VARNOSTNA OPOZORILO

⚠ OPOZORILO

Med uporabo stroja upoštevajte varnostna navodila. Za svojo varnost in varnost drugih oseb preberite ta navodila pred uporabo izdelka. Shranite navodila za poznejšo uporabo.

⚠ OPOZORILO

Izdelek ni namenjen za uporabo s strani otrok ali oseb z zmanjšanimi fizičnimi, duševnimi ali senzoričnimi zmožnostmi. Otroke nenehno primerno nadzorujte, da se ne bodo igrali z napravo.

⚠ OPOZORILO

Predpisi nekaterih regij omejujejo uporabo tega izdelka. Za nasvet se obrnite na lokalne oblasti.

URJENJE

- Nikoli ne pustite, da bi izdelek uporabljali otroci ali osebe, ki niso seznanjene s temi navodili za uporabo. Lokalni predpisi se morda nanašajo tudi na minimalno starost upravitelja.
- Pazljivo preberite navodila. Seznanite se z vsemi krmilnimi elementi in pravilno uporabo izdelka.
- Prisotni, otroci in živali naj bodo vsaj 15m oddaljeni od delovnega območja. Ugasnite izdelek, če kdo vstopi v območje.
- Izdelka nikoli ne uporabljajte, če ste utrujeni, bolni ali pod vplivom alkohola, drog ali zdravil.

- Pomnite, da je upravitelj oz. uporabnik odgovoren za nesreče ali nevarnosti, ki se pripetijo ostalim ljudem ali njihovi lastnini.

ELEKTRIČNA VARNOST

- Vtiči električnih orodij se morajo prilegati vtičnicam. Vtiča nikoli in na noben način ne smete spreminjati. Z ozemljenimi električnimi orodji ne uporabljajte adapterjev vtiča. Nespremenjeni vtiči in ustrezne vtičnice zmanjšajo tveganje električnega udara.
- Izogibajte se nenamernemu zaganjanju naprave. Preden orodje priklopite na napajanje, preverite, ali je stikalo v položaju OFF (IZKLOP). Ne nosite vklopljene naprave s prstom na stikalu.
- Izogibajte se telesnemu stiku z ozemljenimi površinami, kot so cevi, radiatorji, kuhalniki in hladilniki. Če je vaše telo ozemljeno, obstaja povečano tveganje električnega udara.
- Izdelka ne uporabljajte, kadar obstaja nevarnost strele.
- Izdelka ne izpostavljajte dežju ali vlagi. Voda, ki vstopi v napravo, zviša tveganje za električni udar.
- Napajanje naprave mora imeti napravo za rezidualni tok (RCD), tok naj ne presega 30 mA.
- Pred vsako uporabo preverite, če je napajalni kabel poškodovan. Če obstajajo znaki poškodb, mora zamenjavo opraviti kvalificirani serviser. Kadar izdelek uporabljate, vedno odvijte napajalni kabel; zaviti kabli se lahko pregrejejo.
- Če potrebujete podaljšek za električni kabel, se prepričajte, da je primeren za uporabo na prostem in ima zadostno kapaciteto toka za vaš izdelek. Električni podaljšek mora biti označen z oznako »H05 RN-F« ali »H05VV-F«. Pred vsako uporabo preverite, ali je izdelek poškodovan. Pri uporabi vždy odvijte predlžovací kábel, lebo zvinuté káble sa móžu prehrievat'.. Poškodovane podaljševalne kable ne smete popravljati, temveč jih zamenjajte s kablom enakovredne vrste.
- Če opazite, da so električni kabli poškodovani ali obrabljeni, izdelka ne uporabljajte. Pred vsako uporabo preverite, če je napajalni kabel poškodovan. Pri uporabi vždy odvijte predlžovací kábel, lebo zvinuté káble sa móžu prehrievat'.



- Če se napajalni kabel ali podaljšek med uporabo poškodujeta, ju takoj odklopite iz napajanja. Ne dotikajte se električnih kablov, dokler napajanje ni izključeno.
- Prepričajte se, da je napajalni kabel napeljan tako, da ga rezila ne morejo poškodovati in da nanj nič ali nihče ne more pasti, stopiti, se obenj spotakniti ali ga kakor koli poškodovati.
- Izdelka nikoli ne dvigujte in ne prenašajte za električni kabel.
- Ko odstranujete vtičnik iz vtičnice, nikoli ne vlecite za napajalni kabel.
- Kabel držite proč od vročine, olja ali ostrih robov.
- Prepričajte se, da napetost ustreza vašemu izdelku. Imenska ploščica na izdelku prikazuje napetost izdelka. Nikoli ne priklopljajte izdelka na izmenično napetost, drugačno od navedene.
- Prepričajte se, da je stikalo v položaju OFF (IZKLOP), preden izključite napajanje.

PRIPRAVA

- Pri uporabi izdelka vedno nosite popolno zaščito za oči in sluh. Pri delu na območju, kjer obstaja tveganje za padajoče predmete, morate nositi zaščito za glavo.
- Zaščita za sluh lahko poslabša zmožnost upravljavca, da bi slišal opozorila, zato bodite posebej pozorni na potencialne nevarnosti na delovnem območju in okoli njega.
- Nosite trdne, dolge hlače, škornje in rokavice. Ne nosite ohlapnih oblačil, kratkih hlač, nobenega nakita in ne uporabljajte bosih.
- Dolge lase si spnite nad rameni in tako preprečite njihovo ujetje v premikajoče se dele.
- Pred uporabo in po vsakem udarcu se prepričajte, da ni poškodovanih delov. Okvarjeno stikalo ali drug del, ki je poškodovan ali obrabljen, morate ustrezno popraviti ali zamenjati pri pooblaščenem serviserju.
- Prepričajte se, da je rezalna glava ustrezno nameščena in trdno pritrjena.
- Izdelka nikoli ne uporabljajte, če vse zaščite, ščitniki in ročaji niso pravilno in čvrsto nameščeni.
- Pazite na okolje, v katerem delate. Na delovnem območju ne sme biti žic, palic,

kamenja ali drugih predmetov, ki bi lahko leteli naokrog, če bi jih zadel rezalnik.

VARNOSTNA OPOZORILA ZA KOSILNICO

- Izdelka nikoli ne smejo uporabljati otroci ali osebe, ki niso seznanjene z navodili za uporabo.
- Uporabljajte izdelek pri dnevni svetlobi ali dobri umetni svetlobi.
- Ne uporabljajte v mokri travi.
- Kadar uporabljate ta izdelek, ne hodite vzvratno.
- Pazite na ravnotežje in ne pretiravajte. Nesiahajte prilič daleko. Pretiravanje lahko povzroči izgubo ravnotežja. Vedno trdno stojite na neravnih površinah in hodite, nikoli ne tecite.
- Prisotni, otroci in živali naj bodo vsaj 15 m oddaljeni od delovnega območja. Ugasnite izdelek, če kdo vstopi v območje.
- Rezalni del imejte nenehno pod višino pasu.
- Izdelka nikoli ne uporabljajte, če je varovalo poškodovano ali če ni nameščeno.
- Nikoli ne nameščajte kovinske nadomestne nitke.
- Roke in noge stalno držite proč od rezalnih delov, še posebej ko izklapljate motor.
- Pazite! Po izklopu motorja se ostri elementi še naprej vrtijo.
- Pazite na predmete, ki jih odmetava rezalni del. Z delovnega območja odstranite ostanke, kot so kamenčki, gramoz in drugi tujki, preden začnete z delom. Žice ali vrvice se lahko ujamejo v rezila.
- Ugasnite in izključite električno napajanje, preden:
 - servisiranje
 - pustiti izdelek brez nadzora
 - čiščenje izdelka in odpravljanje blokade
 - menjava dodatkov
 - preverjanje glede poškodb, ko zadenete predmet
 - preverjanje glede poškodb, če izdelek začne neobičajno vibrirati
 - vzdrževanje
- Majhno rezilo, nameščeno na ščitnik za travo, je namenjeno za to, da predolgo vrvico odrežete na primerno dolžino in tako zagotovite varno in optimalno delovanje. Je zelo ostro, zato se ga ne dotikajte, zlasti ne pri čiščenju orodja.



- Poskrbite, da bodo prezračevalne odprtine vedno proste.
- Prepričajte se, da je rezalna glava ustrezno nameščena in trdno pritrjena.
- Prepričajte se, da so vsa varovala, deflektorji in ročaji pravilno in trdno pritrjeni.
- Izdelka na noben način ne spreminjajte, saj bi s tem povečali tveganje za poškodbe sebe in tretjih oseb.
- Uporabljajte le originalno nadomestno rezalno vrvico. Ne uporabljajte nobenih drugih rezalnih pripomočkov.
- Takoj izklopite in izključite iz električnega omrežja, ko v primeru nesreče ali okvare. Spet ne uporabljajte izdelka, dokler se v celoti preveri pooblaščen servisni center.

TRANSPORT IN SHRANJEVANJE

- Ustavite izdelek in pustite, da se ohladi, preden ga shranite ali prevažate.
- Očistite vse tujke z izdelka. Shranite jo na suhem in dobro prezračenem mestu, ki ni na dosegu otrok. Hranite proč od jedkih sredstev, kot so kemikalije za vrtnarjenje in soli za odmrzovanje. Ne shranjujte na prostem.
- Pred shranjevanjem vedno izključite iz napajanja in zvijte kabel.
- Za transport zavarujte izdelek pred premiki ali padci, da preprečite poškodbe oseb ali izdelka.

VZDRŽEVANJE

⚠ OPOZORILO

Uporabljajte le originalne rezervne dele in dodatke, ki jih priporoča proizvajalec. V nasprotnem primeru naprava lahko slabo deluje, povzroči poškodbe, garancija pa ne velja več.

⚠ OPOZORILO

Servisiranje zahteva posebno pozornost in znanje in naj jo zato opravlja samo izurjeni servisni tehnik. Servisiranje in popravila izdelka vam priporočamo pri vašem najbližjem pooblaščenem servisnem centru. Pri servisiranju uporabljajte le identične nadomestne dele.

- Preden se lotite kakršnega koli vzdrževanja ali čiščenja, ugasnite in odklopite izdelek

od glavnega napajanja.

- Opravite lahko tukaj navedene prilagoditve ali popravila. Za ostala popravila se obrnite na pooblaščenega serviserja.
- Za nadomestno nitko uporabljajte samo nitko iz najlonskih vlaken s premerom, ki je opisan v tabeli s tehničnimi podatki v tem priročniku.
- Po menjavi rezalne vrvice vedno preklopite napravo v normalno delovno stanje, preden jo znova zaženete.
- Po vsaki uporabi izdelek očistite z mehko in suho krpo. Vsak poškodovani del mora ustrezno popraviti ali zamenjati pooblaščen servisni center.
- Pogosto preverjajte, ali so vse matice in vijaki dobro priti in tako zagotovite varno delovno stanje opreme.

REZIDUALNA TVEGANJA

Tudi če izdelek uporabljate tako, kot je predpisano, še vedno ne moremo izključiti določenih preostalih dejavnikov tveganja. Med uporabo se lahko pojavijo naslednje nevarnosti, upravljavec pa naj bo pozoren na sledeče:

- Poškodbe zaradi vibracij. Izdelek držite za temu namenjene ročaje ter omejite čas uporabe in izpostavljenosti.
- Izpostavljenost hrupu lahko povzroči poškodbo sluha. Nosite zaščito za sluh in omejite izpostavljenost.
- Poškodbe oči, zaradi delcev, ki odletijo. Vedno nosite zaščito za oči.

ZMANJŠANJE TVEGANJA

Ugotovljeno je bilo, da lahko pri nekaterih posameznikih vibracije ročnih orodij povzročijo Raynaudov sindrom. Simptomi so lahko mravljinici, otrplost in pobeljeni prsti, kar je običajno vidno, kadar je oseba izpostavljena mrazu. Dedni dejavniki, izpostavljenost mrazu in vlagi, dieta, kajenje in delovne navade naj bi pripomogle k razvoju teh simptomov. Za zmanjšanje učinkov vibracij lahko upravljavec upošteva naslednja navodila:

- Poskrbite, da bo vaše telo na mrazu toplo. Med upravljanjem nosite rokavice in tako ohranjajte toploto vaših dlani in zapestij. Kot poročajo, je mraz glavni dejavnik, ki prispeva k Raynaudovemu sindromu.
- Po vsakem obdobju upravljanja naprave

telovadite in tako pospešite krvni obtok.

- Pogosto si vzemite odmor. Omejite dnevno količino izpostavljenosti.

Če zaznavate kakršne koli simptome takšnega stanja, takoj prenehajte z uporabo naprave in se o simptomih posvetujte z zdravnikom.

⚠ OPOZORILO

Daljša uporaba orodja lahko privede do poškodb ali pa so poškodbe lahko hujše. Kadar orodje uporabljate dalj časa, si večkrat vzemite odmor.

SPOZNAJTE SVOJ IZDELEK

Glejte stran 131

1. Zadnji ročaj
2. Gumb za odklep
3. Sprožilec
4. Sprednji ročaj
5. Jermen
6. Zgornja cev
7. Spodnja gred
8. Varovalo
9. Rezilo
10. Rezilna nitka
11. Udarna glava
12. Napajalni kabel
13. Držalo kabla
14. Pokrov vretena
15. Vreteno
16. Vstavitvena odprtina

SIMBOLI NA IZDELKU



Pred uporabo izdelka morate prebrati in razumeti vsa navodila, upoštevati vsa opozorila in varnostne napotke.



Nosite zaščito za oči



Nosite zaščito za sluh.



Z izdelkom ne uporabljajte kovinskih rezil.



Ne izpostavljajte ga dežju ali vlagi.



Pred vzdrževanjem oziroma če je kabel poškodovan, prerezan ali zavozlan, takoj izvlecite vtič iz glavnega omrežja.



Pazite na izvržene ali leteče predmete. Prisotni (še posebej otroci in živali) naj bodo med obratovanjem oddaljeni vsaj 15m od delovnega območja.



Roke držite stran od rezila.



Orodje razreda II, dvojna izolacija



Odpadne električne izdelke odlagajte skupaj z ostalimi gospodinjstvi odpadki. Reciklažo opravljajte na predpisanih mestih. Za reciklažni nasvet se obrnite na lokalne oblasti.



Ukrajinska oznaka za skladnost



Ustreza vsem predpisanim standardom v državi članici EU, kjer je bil kupljen izdelek.



EurAsian oznaka o skladnosti



Zajamčena raven zvočne moči je 96 dB.



Pazite na izvržene ali leteče predmete. Gledalci naj bodo na varni razdalji od stroja.

SIMBOLI V TEM PRIROČNIKU



Priključite v vtičnico



Izključite iz vtičnice



Deli ali dodatki so na prodaj ločeno



Opomba



Opozorilo

Sledeče signalne besede in pomeni naj bi pojasnili ravni tveganja, ki so povezane s tem izdelkom.

⚠ NEVARNOST

Označuje neizbežno tvegano stanje, ki če se ji ne izognete lahko povzroči smrt ali resno poškodbo.

⚠ OPOZORILO

Označuje morebitno tvegano stanje, ki če se ji ne izognete lahko povzroči smrt ali resno poškodbo.

⚠ POZOR

Označuje morebitno tvegano stanje, ki če se mu ne izognete lahko povzroči manjšo ali srednje resno poškodbo.

POZOR

Brez simbola za varnostno opozorilo

Prikazuje situacijo, ki lahko povzroči materialno škodo.

Pri navrhovaní vášho elektrického drôtového orezávača boli najvyššou prioritou bezpečnosť, výkon a spoľahlivosť.

ÚČEL POUŽITIA

Tento produkt je určený len na použitie v exteriéri a obsluhujúcou osobou v kráčajúcou v stoji.

Tej to produkt je určený na strihanie dlhej trávy, ľahkej buriny a podobnej vegetácie na úrovni zeme alebo kúsok nad ňou. Rezná rovina musí byť vždy približne rovnobežná s povrchom zeme.

Tento produkt sa nesmie používať na strihanie či orezávanie živých plotov, kríkov či inej vegetácie, kde rezná rovina nie je rovnobežná s povrchom zeme.

VŠEOBECNÉ BEZPEČNOSTNÉ VÝSTRAHY

⚠ VAROVANIE

Pri používaní tohto produktu sa musia dodržiavať bezpečnostné zásady. Pre vašu vlastnú bezpečnosť a bezpečnosť okolostojacich osôb si pred použitím produktu prečítajte tento návod. Odložte si návod na neskoršie použitie.

⚠ VAROVANIE

Produkt nie je určený na použitie deťmi alebo osobami so zníženými fyzickými, duševnými alebo zmyslovými schopnosťami. Deti musia byť pod primeraným dozorom, aby sa nemohli s produktom hrať.

⚠ VAROVANIE

Niektoré regióny majú nariadenia, ktoré obmedzujú použitie produktu. Poradte sa s miestnym úradom.

ŠKOLENIE

- Nikdy nedovoľte používať produkt deťom ani osobám, ktoré nie sú oboznámené s týmto návodom. Miestne platné predpisy môžu obmedzovať dobu použitia kosačky.
- Pozorne si prečítajte pokyny. Oboznámte sa s ovládacími prvkami a správnu obsluhu produktu.
- Okolostojace osoby, deti a domáce

zvieratá, musia stáť min. 15m od pracovného priestoru. Ak nejaká osoba vstúpi do pracovného priestoru, zastavte produkt.

- Nikdy nepoužívajte produkt, keď ste unavení, chorí alebo pod vplyvom, alkoholu, drog alebo liekov.
- Užívateľ alebo obsluha stroja sú zodpovední za nehody alebo škody na majetku a za nebezpečenstvo vzniknuté pri prevádzke stroja.

ELEKTRICKÁ BEZPEČNOSŤ

- Elektrické zástrčky musia zodpovedať zásuvke. Zástrčku nikdy žiadnym spôsobom neupravujte. S uzemnenými mechanickými nástrojmi nepoužívajte rozdvojné zásuvky. Použitím neupravovaných zástrčiek a zodpovedajúcich zásuviek sa znižuje riziko úrazu elektrickým prúdom.
- Dbajte na to, aby nedochádzalo k neúmyselnému spusteniu. Pred zapojením nástroja do elektrickej siete vždy skontrolujte, či je spínač vo vypnutej polohe. Neprenášajte zapojený nástroj s prstom nachádzajúcim sa na spínači.
- Vyhýbajte sa telesnému kontaktu s uzemnenými povrchmi, napríklad rúrami, radiátormi, sporákmi a chladničkami. Ak je vaše telo uzemnené, hrozí vysoké riziko úrazu elektrickým prúdom.
- Nepoužívajte produkt, keď hrozí riziko blesku.
- Nevystavujte produkt dažďu ani mokrému prostrediu. Voda, ktorá vnikne do zariadenia, zvyšuje riziko úrazu elektrickým prúdom.
- Elektrické napájanie musí byť privádzané cez zariadenie pre zvyškový prúd s vypínacím prúdom maximálne 30 mA.
- Pred použitím skontrolujte napájací kábel, či nie je poškodený. Pri akýchkoľvek známkach poškodenia ich musí vymeniť kvalifikovaný servisný technik. Pri použití vždy odviňte napájací kábel, lebo zvinuté káble sa môžu prehrievať.
- Ak potrebujete použiť predlžovací kábel, dbajte na to, aby bol vhodný na použitie v exteriéri a mal prúdovú kapacitu dostatočnú na napájanie vášho produktu. Predlžovací kábel musí mať označenie „H05 RN-F“ alebo „H05VV-F“. Pred každý použitím skontrolujte, či nedošlo k poškodeniu. Pri použití vždy odviňte predlžovací kábel,

lebo zvinuté káble sa môžu prehrievať. Poškodené predlžovacie káble sa nesmú opravovať, ale vymeniť za ekvivalentný typ.

- Produkt nepoužívajte, ak sú elektrické káble poškodené alebo opotrebované. Pred použitím skontrolujte napájací kábel, či nie je poškodený. Pri použití vždy odviňte napájací kábel, lebo zvinuté káble sa môžu prehrievať.
- Ak sa napájací kábel alebo predlžovací kábel pri používaní poškodia, okamžite ich odpojte z elektrickej siete. Nedotýkajte sa elektrických káblov, kým predtým neodpojíte elektrickú sieť.
- Dbajte na to, aby bol napájací kábel umiestnený tak, aby ho nebolo možné poškodiť prerezaním, aby naň nikto nestúpil, nezakopol oň, ani ho inak nepoškodil alebo nenamáhal.
- Produkt nikdy nezdvíhajte ani neprenášajte za elektrický kábel.
- Nástroj nikdy neodpájajte z elektrickej siete ťahaním za napájací kábel.
- Kábel nedávajte do blízkosti tepla, oleja alebo ostrých okrajov.
- Skontrolujte, či je napätie správne pre váš produkt. Firemný štítok na produkte uvádza napätie jednotky. Zariadenie nikdy nepripájajte k striedavému napätiu inému, ako je uvedené napätie.
- Pred odpojením z elektrickej siete skontrolujte, či je spínač vo vypnutej polohe.

PRÍPRAVA

- Pri práci s týmto zariadením používajte chrániče zraku a sluchu. Pri práci v priestore, kde existuje riziko pádu predmetov, používajte ochranu hlavy.
- Tepelná ochrana môže obmedziť schopnosť obsluhujúceho počuť výstražné zvuky, venovať primeranú pozornosť nebezpečenstvám v okolí pracoviska i na ňom.
- Noste hrubé a dlhé nohavice, topánky a rukavice. Nenoste voľné pohodlné oblečenie, krátke nohavice, bižutériu žiadneho druhu, ani nepracujte bosí.
- Dlhé vlasy zaisťte, aby boli nad úrovňou plic a nedošlo tak k ich zamotaniu do pohyblivých dielov.
- Pred použitím a po každom náraze skontrolujte, či nie sú nejaké diely

poškodené. Chybný spínač či akýkoľvek iný diel, ktorý je poškodený alebo opotrebovaný, je potrebné náležite opraviť alebo vymeniť v autorizovanom servisnom zariadení.

- Skontrolujte, či je rezný nástavec správne namontovaný a bezpečne upnutý.
- Nikdy nepoužívajte produkt, kým nie sú správne a bezpečne nasadené všetky ochranné kryty, odchyľovače a rukoväte.
- Berte ohľad na prostredie, v ktorom pracujete. Z pracoviska odstráňte všetky drôty, paličky, drevka, kamene a sutinu, ktoré by sa mohli pri zásahu nožom vymrštiť.

DRŤOVÝ OREZÁVAČ – BEZPEČNOSTNÉ VÝSTRAHY

- Produkt nikdy nedovoľte používať deťom alebo osobám neoboznámeným s návodom na použitie.
- Produkt používajte za denného svetla alebo pri dobrom umelom osvetlení.
- Nepoužívajte na mokrej tráve.
- Pri používaní produktu nekráčajte dozadu.
- Udržujte bezpečný postoj a rovnováhu. Nepreceňujte sa. Preceňovanie sa môže spôsobiť stratu rovnováhy. Na svahoch vždy dbajte na pevnú oporu nôh a vždy kráčajte, nebežte.
- Okolostojace osoby, deti a domáce zvieratá, musia stáť min. 15 m od pracovného priestoru.
- Rezný nástavec udržiavajte pod úrovňou pásu.
- Nikdy nepoužívajte produkt, ktorý má poškodené kryty alebo keď kryty nie sú nasadené.
- Nikdy nenasadzujte kovový náhradný drôt.
- Neustále, najmä pri zapínaní motora, držte ruky a nohy mimo dosahu rezných prostriedkov.
- Pozor, rezné prvky pokračujú v otáčaní aj po vypnutí motora.
- Pozor na objekty vymrštené rezným nástrojom. Pred začatím práce odstráňte z pracoviska kamienky, štrk a ostatné cudzie predmety. Do rezných zariadení sa môžu zamotať vodiče alebo vlákna.
- Vypnite a odpojte z elektrickej siete, pred:
 - servis
 - ponechanie produktu bez dozoru



- čistenie produktu alebo odstránenie upchatia
 - výmena príslušenstva
 - skontrolujte akékoľvek poškodenie po zásahu objektom
 - skontrolujte akékoľvek poškodenie, ak produkt začne neštandardne vibrovať
 - vykonávanie údržby
- Malé ostrie nasadené na kryt na trávnik slúži na orezávanie vysúvacieho vlákna na správnu dĺžku za účelom bezpečnej a optimálnej prevádzky. Je veľmi ostré, nedotýkajte sa ho, najmä pri čistení nástroja.
 - Vždy skontrolujte, či vetracie otvory nie sú upchaté úlomkami.
 - Skontrolujte, či je rezný nástavec správne namontovaný a bezpečne upnutý.
 - Skontrolujte, či sú všetky kryty, odchyľovače a rukoväte bezpečne nasadené.
 - Produkt žiadnym spôsobom neupravujte, inak zvýšite riziko poranenia – vás alebo iných osôb.
 - Používajte len náhradné rezné vlákno výrobcu. Nepoužívajte žiadne iné rezné nástavce.
 - Okamžite vypnúť a odpojiť od siete, akonáhle v prípade nehody alebo poruchy. Neprevádzkujte výrobok znovu, kým je to úplne skontrolovať autorizovanom servisnom stredisku.

PREPRAVA A SKLADOVANIE

- Pred uskladnením alebo prepravou zastavte produkt a nechajte ho vychladnúť.
- Odstráňte zo zariadenia všetky cudzie materiály. Odložte ho na suché a dobre vetrané miesto, na ktoré nemajú prístup deti. Nariadenie neuskladňujte v blízkosti žieravých látok, ako napríklad v blízkosti záhradníckych chemických prípravkov alebo solí na zimný posyp komunikácií. Neskladujte v exteriéri.
- Pred skladovaním vždy odpojte od elektrickej siete a navíňte kábel.
- Pri preprave zaistite produkt pred pohybom alebo pádom, aby nedošlo k poraneniu osôb alebo poškodeniu produktu.

ÚDRŽBA

⚠ VAROVANIE

Používajte len originálne náhradné diely, príslušenstvo a nástavce výrobcu. V opačnom prípade môže dôjsť k možnému poraneniu, nedostatočnému výkonu a strate platnosti záruky.

⚠ VAROVANIE

Údržba vyžaduje extrémnu starostlivosť a znalosti, a musí byť prevádzkaná výhradne v autorizovanom servise. Z dôvodu servisu vám odporúčame vrátiť výrobok do najbližšieho autorizovaného servisného centra na opravu. Ak výrobok opravujete, používajte iba rovnaké originálne náhradné diely.

- Pred vykonaním akejkoľvek údržby alebo čistenia vždy zariadenie vypnite a odpojte z elektrickej siete.
- Môžete vykonávať úpravy a opravy popísané tu. Pri ostatných opravách sa obráťte na autorizovaného servisného zástupcu.
- Pri výmene drôtu používajte len nylonové drôtené vlákno s priemerom predpísaným v tabuľke špecifikácií tejto príručky.
- Po predĺžení nového rezného drôtu vždy vráťte produkt pred spustením do štandardnej prevádzkovej polohy.
- Po každom použití vyčistite produkt mäkkou suchou tkaninou. Akýkoľvek poškodený diel sa musí náležite opraviť alebo vymeniť v autorizovanom servisnom centre.
- Skontrolujte všetky skrutky, matice v častých intervaloch či sú riadne utiahnuté, aby sa zaistila bezpečná prevádzka stroja.

ZVYŠKOVÉ RIZIKÁ

Aj keď sa nástroj používa podľa predpisu, nie je možné eliminovať určité zvyškové rizikové faktory. Pri použití vznikajú nasledujúce riziká a obsluhujúca osoba musí venovať zvláštnu pozornosť, aby nedošlo k nasledovnému:

- Zranenie spôsobené vibráciami. Produkt držte za rukoväť na to určené a obmedzte pracovný čas a expozíciu.
- Vystavovanie hluku môže spôsobiť poranenie sluchu. Používajte ochranu



sluchu a obmedzte expozíciu.

- Poranenie zraku následkom odletujúcej sutiny. Neustále používajte ochranu zraku.

OBMEDZENIE RIZIKA

Boli hlásené prípady, kedy vibrácie z ručných produktov u niektorých osôb prispeli k stavu nazývanému Raynaudov syndróm. K symptómom patria: trpnutie, znecitlivenie a blednutie prstov, zvyčajne zjavné po vystavení zime. Je známe, že k vývoju týchto symptómov prispievajú: dedičné faktory, vystavovanie zime a vlhkosti, dieťa, fajčenie a pracovné návyky. Opatrenia, ktoré môže vykonať obsluhujúca osoba na možné zníženie účinkov vibrácií:

- V studenom počasí udržiavajte svoje telo v teple. Pri práci s produktom noste rukavice, aby ste mali ruky a zápästia v teple. Boli hlásené prípady, kedy hlavným faktorom prispievajúcim k Raynaudovmu syndrómu bolo studené počasie.
- Po každom určitom časovom úseku prevádzky cvičte, aby ste zlepšili krvný obeh.
- Počas práce si doprajte časté prestávky. Obmedzte počet vystavení za deň.

Ak zistíte ktorýkoľvek zo symptómov tohto stavu, okamžite prerušte používanie zariadenia, navštívte svojho lekára a povedzte mu o symptómoch.

VAROVANIE

Pri dlhodobom alebo zvýšenom používaní môže dôjsť k zraneniam. Pri používaní nástroja príliš dlhé obdobia si vždy doprajte pravidelné prestávky.

OBOZNÁMTE SA S VAŠIM PRODUKTOM

Pozrite stranu 131.

1. Zadná rukoväť
2. Tlačidlo uvoľnenia
3. Spínač
4. Predná rukoväť
5. Postroj
6. Horný hriadeľ
7. Dolný hriadeľ
8. Ochranný kryt
9. Orezávacie ostrie
10. Rezací drôt
11. Nárazová hlava
12. Napájací kábel

13. Držiak kábla
14. Kryt cievky
15. Cievka
16. Pútko

SYMBOLY NA PRODUKTE



Pred použitím produktu si s porozumením prečítajte všetky pokyny a dodržiavajte výstražné a bezpečnostné upozornenia.



Používajte chrániče zraku



Používajte chrániče sluchu.



Nepoužívajte kovové ostria na produkte.



Nevystavujte dažďu ani nepoužívajte vo vlhkom prostredí.



Ak sa kábel poškodí, pretrhne alebo zamotá a bezprostredne pred vykonaním údržby odpojte zástrčku z elektrickej siete.



Pozor na vymrštené alebo odletujúce objekty. Všetky okolostojace osoby (najmä deti a domáce zvieratá) musia stáť minimálne 15m od miesta práce



Nikdy nedávajte ruky do blízkosti orezávacieho ostria.



Nástroj triedy II, dvojitá izolácia



Opotrebované elektrické zariadenia by ste nemali odhadzovať do domového odpadu. Prosíme o recykláciu ak je možné. Kontaktujte miestne úrady, alebo predajcu pre viac informácií ohľadom ekologického spracovania.



Ukrajinské označenie zhody



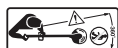
Vyhovuje všetkým regulačným normám v krajine EÚ, v ktorej bol výrobok zakúpený.



Euroázijská značka zhody



Garantovaná hladina akustického výkonu je 96 dB.



Pozor na vymrštené alebo odletujúce objekty. Okolostojacich udržiavajte v bezpečnej vzdialenosti od zariadenia.

SYMBOLY V TOMTO NÁVODE



Pripojte do elektrickej zásuvky



Odpojte z elektrickej zásuvky



Diely alebo príslušenstvo predávané samostatne



Poznámka



Varovanie

Nasledujúce značky a významy vysvetľujú úroveň rizika spojeným s výrobkom.

⚠ NEBEZPEČENSTVO

Označuje bezprostredne nebezpečnú situáciu, ktorá môže vyústiť v smrť, alebo vážne zranenie.

⚠ VAROVANIE

Označuje potenciálne nebezpečnú situáciu, ktorá môže vyústiť v smrť, alebo vážne zranenie.

⚠ VÝSTRAHA

Označuje potenciálne nebezpečnú situáciu, ktorá môže vyústiť v ľahké, alebo stredne ťažké zranenie.

VÝSTRAHA

Bez symbolu bezpečnostného alarmu
Označuje situáciu, ktorá môže zapríčiniť poškodenie majetku.

Безопасността, производителността и надеждността са аспектите, на които е отделен най-голям приоритет при проектирането на вашия електрически хросторез.

ПРЕДНАЗНАЧЕНИЕ

Този продукт е предназначен за използване само на открито и от оператор, който е заел изправена позиция на тялото, докато върви с продукта.

Продуктът е проектиран за рязане на трева, леки бурени и подобна растителност на нивото на земята или над него. Плоскостта на косене трябва да е приблизително успоредна на земната повърхност.

Продуктът не трябва да се използва за рязане или подрязване на жив плет, хросталаци или друга растителност, при която плоскостта на рязане не е успоредна на земната повърхност.

ОБЩИ ПРЕДУПРЕЖДЕНИЯ ЗА БЕЗОПАСНОСТ

⚠ ПРЕДУПРЕЖДЕНИЕ

При използване на продукта трябва да се спазват правилата за безопасност. За осигуряване на вашата безопасност и тази на страничните наблюдатели прочетете тези инструкции, преди да работите с продукта. Съхранявайте ръководството на сигурно място, за да можете да го ползвате и по-късно.

⚠ ПРЕДУПРЕЖДЕНИЕ

Продуктът не е предназначен за използване от деца или от лица с намалени физически, сетивни или умствени способности. Децата трябва да бъдат внимателно надзиравани, за да се гарантира, че не си играят с продукта.

⚠ ПРЕДУПРЕЖДЕНИЕ

В някои региони действат наредби, които ограничават употребата на продукта. За съвети се обръщайте към местните власти.

ОБУЧЕНИЕ

- Никога не позволявайте продуктът да бъде използван от деца или от лица, непознати с настоящите инструкции. Местните наредби могат да налагат ограничения за възрастта на оператора.
- Прочете инструкциите внимателно. Запознайте се с всички контроли и с правилния начин за използване на продукта.
- Дръжте всички странични наблюдатели, деца и домашни животни на разстояние поне 15 метра от работната зона. Спрете продукта, ако някой навлезе в работната зона.
- Никога не използвайте продукта, ако сте уморени, болни или под влиянието на алкохол, наркотични вещества или лекарства.
- Трябва да знаете, че операторът или потребителят е отговорен за причиняването на злополуки или щети на други лица или имущество.

ЕЛЕКТРИЧЕСКА БЕЗОПАСНОСТ

- Щепселът на инструмента трябва да е съвместим с контакта. В никакъв случай не внасяйте изменения в конструкцията на щепсела. Когато работите със занулени електрически инструменти, не използвайте адаптери за щепсела. Използването на оригиналните щепсели и контакти намалява риска от токов удар.
- Избягвайте неволно стартиране. Винаги преди да включите инструмента в захранването, проверявайте дали превключателят е на OFF (изключено). Не носете включен инструмент докато пръстът Ви е на бутона.
- Избягвайте допир със заземени повърхности, като тръби, радиатори, печки и хладилници. Когато тялото ви е заземено, рискът от възникване на токов удар е по-голям.
- Не използвайте продукта, когато има риск от мълнии.
- Не излагайте продукта на дъжд или влажни условия. Проникването на вода в уреда повишава риска от токов удар.
- Уредът трябва да бъде захранван чрез прекъсвач за защитно изключване, пропускателен ток не повече от 30 mA.



- Преди употреба огледайте захранващия кабел за повреди. Ако има следи от повреда, той трябва да се смени от упълномощен сервизен център. Винаги развивайте захранващия кабел преди употреба; навитите кабели могат да прегреят.
- Ако е необходимо да използвате удължаващ кабел, проверете дали той е подходящ за работа на открито или дали токовият му капацитет е достатъчен за захранване на вашия продукт. Удължаващият кабел трябва да има маркировка „H05 RN F” или „H05 VV F”. Преди всяко използване проверявайте кабела за повреди, а при работа винаги го развивайте, защото неразвитите кабели могат да прегреят. Повредените удължителни кабели не трябва да се поправят, а да се сменят с такива от еквивалентен тип.
- Не използвайте продукта, ако електрическите кабели са повредени или износени. Преди употреба огледайте захранващия кабел за повреди. Винаги развивайте захранващия кабел преди употреба; навитите кабели могат да прегреят.
- Ако кабелът се повреди по време на работа, незабавно го разкачете от електричеството. Не докосвайте електрическите кабели, докато не бъде изключен захранващия източник.
- Внимавайте захранващият кабел да не е на места, където може да бъде повреден от режещите устройства, настъпен, прегазен или изложен по друг начин на повреда или напрежение.
- Никога не вдигайте и не носете продукта за електрическия кабел.
- Никога не дърпайте захранващия кабел, за да изключите инструмента от електричеството.
- Дръжте захранващия кабел далече от топлина, масло и остри предмети.
- Уверете се, че използваното напрежение е правилно за вашия продукт. На табелката с характеристиките на продукта, можете да видите напрежението му. Никога не свързвайте уреда към променлив ток с различно от посоченото напрежение.
- Уверете се, че ключът е в позиция

„Off” (Изкл.), преди изключите от електрозахранването.

ПОДГОТОВКА

- Носете пълна защитна екипировка за очите и слуха ви, когато боравите с продукта. Ако работите в зона, където съществува риск от падащи предмети, трябва да носите каска.
- Възможно е антифоните да ограничат способността на оператора да чува предупредителни звуци; отнасяйте се изключително внимателно по отношение на потенциални рискове както в работната зона, така и извън нея.
- Носете здрави дълги панталони, ботуши и ръкавици. Не носете широки дрехи, къси панталони или бижута и не използвайте машината, ако не сте с обувки.
- Дългата коса трябва да бъде прибрана на ниво над раменете, за да се избегне нейното заплитане в движещите се части.
- Преди употреба и след всяко въздействие проверете дали няма повредени части. Поправянето или заменянето на дефектен превключвател или повредени или износени части трябва да се извършва само от упълномощени сервизи.
- Уверете се, че приспособлението за рязане е правилно монтирано и здраво закрепено.
- Никога не работете с продукта, докато всички предпазители, отклонители и ръкохватки не са прикрепени правилно и стабилно.
- Помислете за средата, в която работите. Прочиствайте работната зона от жици, пръчки, камъни и отпадъци, които биха могли да бъдат захвърлени във въздуха, ако попаднат в съприкосновение с режещия механизъм.

ПРЕДУПРЕЖДЕНИЯ ЗА БЕЗОПАСНОСТ НА ТРИМЕРА

- Не позволявайте на деца или на лица, незапознати с инструкциите да използват продукта.
- Използвайте продукта през деня или при добро изкуствено осветление.





- Избягвайте използването върху мокро стъкло.
- Не ходете назад, докато използвате продукта.
- Заемайте стабилна позиция и пазете баланс. Не се протягайте, за да работите на трудно достижими места. Протягането може да доведе до загуба на равновесие. Стъпвайте на стабилна опора при работа на наклон и винаги ходете, а не тичайте.
- Дръжте всички странични наблюдатели (особено деца и домашни любимци) на поне 15m разстояние от работната зона. Спрете продукта, ако някой навлезе в работната зона.
- Дръжте приспособлението за рязане под нивото на кръста.
- Никога не използвайте продукта, ако предпазителите са повредени или ако не са на мястото си.
- Никога не поставяйте метална корда.
- Дръжте ръцете и краката си далеч от режещите части и особено при включване на мотора.
- Внимавайте, защото култиваторните лапи продължават да се въртят след спиране на мотора.
- Внимавайте за обекти, захвърлени от режещия механизъм. Почистете отпадъците като малки камъни, чакъл и други чужди обекти от работната зона, преди да започнете работа. В режещите елементи могат да се заплетат жици или влакна.
- Изключете инструмента и извадете кабела от захранването преди:
 - обслужване
 - оставяне на продукта без надзор
 - почистване на продукта или отстраняване на препятствия
 - смяна на принадлежности
 - проверка за повреда след удяране на обект
 - Проверка за повреда, ако продуктът започне да вибрира необичайно
 - извършване на профилактика
- Малкото острие, монтирано към предпазителя, е проектирано за подрязване на новата удължена линия до правилната дължина за целите на безопасната и оптимална производителност. Острието е изключително остро; не го докосвайте, особено когато почиствате инструмента.
- Винаги проверявайте дали по вентилационните отвори има отпадък.
- Уверете се, че приспособлението за рязане е правилно монтирано и здраво закрепено.
- Уверете се, че всички предпазители, отклонители и дръжки са правилно стабилно прикрепени.
- Не модифицирайте машината по какъвто и да е начин; това може да увеличи риска от физическо нараняване за вас или други лица.
- Подменяйте режещото влакно само с оригинално такова от производителя. Не използвайте никакво друго режещо приспособление.
- Незабавно изключете и извадете от електрическата мрежа, след като в случай на злополука или повреда. Не използвайте продукта отново, докато не бъде напълно проверена от оторизиран сервизен център.

ТРАНСПОРТИРАНЕ И СЪХРАНЕНИЕ

- Спрете продукта и го изчакайте да се охлади, преди да го транспортирате или приборете за съхранение.
- Почистете продукта от всички чужди частици. Съхранявайте я на хладно, сухо и добре проветрявано място, което е недостъпно за деца. Не го оставяйте в близост до корозивни материали като градински химикали или соли за размразяване. Не съхранявайте на открито.
- За съхранение винаги изключвайте от електрическата мрежа и навивайте кабела.
- Когато транспортирате продукта, го обезопасете така, че да не може да се движи или да падне, защото това може да доведе до евентуални наранявания на хора или повреди по продукта.



ПОДДРЪЖКА

⚠ ПРЕДУПРЕЖДЕНИЕ

Използвайте само оригинални резервни части, аксесоари и приставки от производителя. В противен случай може да се влоши работата на инструмента или да получите тежки контузии, а гаранцията ви ще стане невалидна.

⚠ ПРЕДУПРЕЖДЕНИЕ

Сервизното обслужване изисква изключително внимание и специфични познания и следва да бъде извършвано само от квалифициран техник. За сервизно обслужване и поправка препоръчваме да занесете продукта до най-близкия упълномощен център. При ремонт използвайте само идентични резервни части.

- Спрете уреда и го изключете от захранването, преди да извършвате дейности по поддръжка и почистване.
- Можете да правите настройки и поправки, описани в това ръководство на потребителя. За други поправки се свържете с агент на упълномощения сервиз.
- Когато трябва да смените кордата, използвайте само корда с найлонови влакна със съответния диаметър, посочен в таблицата със спецификации в настоящото ръководство.
- След удължаване на ново режещо влакно винаги връщайте продукта в нормална за работа позиция, преди да го включите.
- Всеки път след употреба почиствайте продукта с мека и суха кърпа. Всяка повредена част трябва да бъде поправена или заменена от упълномощен сервизен център.
- Периодично проверявайте дали всички гайки, болтове и винтове са правилно затегнати, за да сте сигурни, че продуктът е в изправност.

НЕПРЕДВИДЕНИ РИСКОВЕ.

Дори когато продуктът се използва по предназначение, е невъзможно напълно

да се ограничи влиянието на определени рискови фактори. Рисковете, описани по-долу, може да възникнат по време на употреба и операторът трябва да внимава за избягването на следното:

- Нараняване, причинено от вибрация. Дръжте продукта за предназначенияте ръкохватки и ограничавайте времето за работа.
- Излагането на шум може да доведе до увреждане на слуха. Носете антифони и ограничете излагането.
- Наранявания на очите в следствие на летящи отломки. По всяко време носете защитни средства за очите.

ΜΕΙΩΣΗ ΚΙΝΔΥΝΟΥ

Установено е, че вибрациите, произвеждани от ръчноуправляеми продукти, могат да предизвикат у някои лица заболяване, наречено Синдром на Рейнолд (Raynaud's Syndrome). Симптомите може да включват изтръпване, схващане и избледняване на пръстите, обикновено се забелязват при излагане на студ. Смята се, че наследствените фактори, излагането на студ и влага, диетите, пушенето и някои работни навици допринасят за развитието на тези симптоми. Могат да се вземат някои мерки, които могат да се предприемат от оператора, за да се намалят ефектите от вибрациите:

- Поддържайте телесната температура в студено време. Когато работите с продукта, носете ръкавици, за да поддържате ръцете и китките си топли. Според изследвания главният фактор, допринасящ за развитието на Raynaud's Syndrome, е студеното време.
- Правете упражнения за активизиране на кръвообращението след всеки работен цикъл.
- Редовно излизайте в почивка. Ограничете излагането на вибрации на ден.

При поява на някой от симптомите на това заболяване, незабавно прекратете употребата на инструмента и посетете лекар.

⚠ ПРЕДУПРЕЖДЕНИЕ

Продължителното използване на инструмента може да доведе до наранявания или влошаване. При използване на инструмента за продължителни периоди от време правете чести почивки.

ОПОЗНАЙТЕ ВАШИЯ ПРОДУКТ

Вж. страница 131.

1. Задна ръкохватка
2. бутон за отключване
3. Спусък
4. Предна ръкохватка
5. Презрамка
6. Горен прът
7. Долен прът
8. Предпазител
9. Острие за подрязване
10. Режещо влакно
11. Глава за потупване
12. Захранващ кабел
13. Фиксатор за кабела
14. Капак на макарата
15. Макара
16. Отвор

СИМВОЛИ НА ПРОДУКТА



Прочетете и осмислете всички указания, преди да започнете работа с продукта; спазвайте всички предупреждения и инструкции за безопасност.



Носете защитни средства за очи



Носете антифони.



Не използвайте метални остриета върху продукта.



Не излагайте на дъжд и на влажни условия.



Незабавно изключете щепсела от електрическата мрежа, ако кабелът е повреден, срязан или заплетен, както и преди да извършвате дейности по поддръжка.



Внимавайте за изхвърлени или летящи обекти. Не допускате странични наблюдатели, особено деца и домашни животни, на по-малко от 15 м от работната зона.



Дръжте ръцете си далече от острието за подрязване на кордата.



Инструмент от клас II, двойна изолация



Електрическите уреди не трябва да се изхвърлят заедно с битовите отпадъци. Рециклирайте, където има възможност. Обърнете се за съвет по рециклирането към местните власти или разпространителите.



Украински знак за съответствие



Тази машина е в съответствие с нормативната уредба на държавата от ЕС, където е била закупена.



EurAsian знак за съответствие



Гарантираното ниво на шум е 96 dB.



Внимавайте за изхвърлени или летящи обекти. Дръжте наблюдателите на безопасно разстояние от продукта.

СИМВОЛИ В НАСТОЯЩОТО РЪКОВОДСТВО



Свържете към електрически контакт.



Изключете от електрическия контакт



Частите или принадлежностите се продават отделно



Забележка



Предупреждение

Следните сигнални думи и значенията им са предназначени да обяснят нивата на опасност, свързани с този продукт.

⚠ ОПАСНОСТ

Указва неминуемо опасна ситуация, която ако не бъде избегната, ще доведе до сериозни наранявания или смърт.

⚠ ПРЕДУПРЕЖДЕНИЕ

Указва потенциално опасна ситуация, която ако не бъде избегната, може да доведе до сериозни наранявания или смърт.

⚠ ВНИМАНИЕ

Указва потенциално опасна ситуация, която ако не бъде избегната, може да доведе до дребни или средни наранявания.

ВНИМАНИЕ

Без предупредителен символ за безопасност

Указва ситуация, която може да доведе до имуществени щети.

Безпеці, продуктивності, надійності був дан вищий пріоритет в дизайні вашого електричного триммера трави.

INTENDED USE

Продукт призначений для використання тільки дорослими, які читали і зрозуміли інструкції та попередження в цьому посібнику і можуть вважатися відповідальними за свої дії.

Продукт призначений для скошування трави, легких бур'янів та іншої подібної рослинності на рівні, або близько рівня землі. Ріжуча площина повинна бути приблизно паралельна поверхні землі.

Продукт не повинен бути використаний, щоб підрізати або обрізати живоплоти, чагарники або іншу рослинність, де ріжуча площина не паралельна поверхні землі.

ЗАГАЛЬНІ ЗАХОДИ БЕЗПЕКИ

⚠ ПОПЕРЕДЖЕННЯ

При використанні продукту, потрібно дотримуватися правил безпеки. Для вашої власної безпеки та безпеки перехожих, будь ласка, прочитайте ці інструкції перед експлуатацією виробу. Будь ласка, збережіть інструкції з безпеки для подальшого використання.

⚠ ПОПЕРЕДЖЕННЯ

Продукт не призначений для використання дітьми або особами, які не мають відповідних засобів індивідуального захисту та одягу. Потрібно належним чином стежити за дітьми, щоб вони не грали з машиною.

⚠ ПОПЕРЕДЖЕННЯ

У деяких регіонах існують правила, що обмежують використання продукту. Перевірте з вашим місцевим органом влади для консультацій.

ПІДГОТОВКА

■ Ніколи не дозволяйте дітям або людям, не знайомим з цими інструкціями, використовувати продукт. Місцеве

законодавство може обмежувати вік оператора.

- Уважно прочитайте інструкцію. Добре ознайомтеся з органами управління та правильним використанням машини.
- Тримайте перехожих, дітей і домашніх тварин на відстані 15м від місця експлуатації. Зупиніть машину, якщо хто-небудь входить в зону.
- Ніколи не працюйте з продуктом, коли ви втомилися, хворі або під впливом алкоголю, наркотиків або ліків.
- Майте на увазі, що оператор або користувач несе відповідальність за нещасні випадки або пошкодження спричинені іншим особам або їх майну.

ЕЛЕКТРОБЕЗПЕКА

- Вилка живлення електроінструменту повинна відповідати розетці. Ніколи не змінюйте вилку. Не використовуйте ніякі вилки-перехідники з заземленими (замкнутими на землю) електроінструментами. Не змінені вилки та відповідні розетки зменшують ризик ураження електричним струмом.
- Запобігайте випадкового запуску. Завжди перевіряйте, що вимикач знаходиться в положенні ВИМК перед підключенням інструменту до джерела живлення. Не переносьте під'єднаний до електроживлення виріб, тримаючи палець на перемикачі.
- Уникайте контакту тіла з заземленими поверхнями, такими як труби, радіатори, плити та холодильники. Існує підвищений ризик ураження електричним струмом, якщо ваше тіло заземлене.
- Не використовуйте продукт, якщо є ризик блискавки.
- Не піддавайте електроінструменти впливу дощу або вологих умов. Вода, що потрапила в електроінструмент збільшує ризик ураження електричним струмом.
- Електроживлення повинно подаватися через пристрій диференціального струму (ГДС) з струмом відключення не більше 30 мА.
- Перед кожним використанням перевіряйте шнур живлення на наявність пошкоджень. Якщо є ознаки пошкодження, він повинен бути замінений кваліфікованим фахівцем в



авторизованому сервісному центрі, щоб уникнути небезпеки. Завжди розмотати шнур живлення під час використання, спіральний кабель може перегрітися.

- Якщо вам потрібно використовувати подовжувач переконайтеся, що він підходить для використання на відкритому повітрі і має поточний рейтинг потужності достатньо для забезпечення вашого продукту. Подовжувач повинен бути відзначений "H05 RN-F" або "H05 VVF". Перевірте його перед кожним використанням на пошкодження; завжди розмотуйте його під час використання, тому що спіральний шнур може перегрітися. Пошкоджені подовжувачі не повинні бути відремontовані; вони повинні бути замінені еквівалентним типом.
- Не використовуйте продукт, якщо шнур пошкоджений або зношений. Перед кожним використанням перевіряйте шнур живлення на наявність пошкоджень. Завжди розмотати шнур живлення під час використання, спіральний кабель може перегрітися.
- Завжди розмотайте шнур живлення під час використання, скручений кабель може перегрітися. Не торкайтеся до електричних кабелів, поки живлення не було відключено.
- Переконайтеся, що шнур живлення розташований таким чином, що він не може бути пошкоджений ріжучими засобами, ви неможете спіткнутися чи інакше пошкодити його.
- Ніколи не піднімайте та не переносьте виріб за електричний кабель.
- В жодному разі не тягніть за шнур живлення, щоб відключити від електроживлення.
- Тримайте шнур живлення далеко від тепла, масла і гострих країв.
- Переконайтеся, що напруга відповідає виробу. Напруга виробу вказана на паспортній табличці. Ніколи не підключайте пристрій до мережі змінного струму з напругою, яка відрізняється від цієї напруги.
- Перед від'єднанням електроживлення переконайтеся, що перемикач вимкнений.

ПІДГОТОВКА

- Носити повний захист очей і слуху під час роботи з продуктом. При роботі в місцях, де є ризик падіння предметів, потрібно носити захист для голови.
- Захист органів слуху може обмежити здатність оператора почути застережливі звуки, звернути особливу увагу на потенційні небезпеки навколо і всередині робочої зони.
- Носіть важкі довгі штани, чоботи і рукавички. Не носіть вільний одяг, шорти, ювелірні вироби будь-якого роду, або не ходіть босоніж.
- Зафіксуйте довге волосся вище рівня плеча, щоб запобігти заплутуванню в будь-яких рухомих частинах.
- Перед використанням і після кожної дії, переконайтеся, що немає пошкоджених частин. А Несправний вимикач або будь-яка деталь, яка пошкоджена, повинні бути правильно відремontовані або замінені в авторизованому сервісному центрі.
- Переконайтеся, що кріплення голівки правильно встановлені і надійно закріплені.
- Переконайтеся, що всі захисні огорожі, дефлектори і ручки правильно і надійно закріплені.
- Враховуйте середовище, в якому ви працюєте. Тримайте робочу зону вільною від проводів, палиць, каменів і сміття.

ЗАХОДИ БЕЗПЕКИ ДЛЯ ЛІНІЙНОГО ТРИММЕРУ

- Ніколи не дозволяйте дітям або людям, не знайомим з цими інструкціями, використовувати продукт.
- Використовуйте продукт при денному світлі або при хорошому штучному освітленні.
- Уникайте використання на мокрій траві.
- Не задкуйте при використанні продукту.
- Тримайте міцну опору і рывновагу. Не тягніться. Перенавантаження може привести до втрати балансу. Завжди будьте впевнені в опорі на схилах і ходіть, не бігайте.
- Тримайте перехожих, дітей і домашніх тварин на відстані 15м від місця експлуатації. Зупиніть машину, якщо



хто-небудь входить в зону.

- Тримайте ріжуче обладнання нижче рівня талії.
- Ніколи не працюйте з пошкодженими запобіжними пристосуваннями або без запобіжних пристосувань.
- Ніколи не використовуйте для заміни металеву лінію.
- Увесь час тримайте руки і ноги подалі від ріжучого засобу, особливо при включенні мотора.
- Обережно, ріжучі елементи продовжують обертатися після відключення двигуна.
- Остерігайтеся об'єктів, кинутих у ріжучі засоби. Вичистіть сміття таке, як дрібні камені, гравій та інші сторонні предмети з робочої зони перед початком операції. Пам'ятайте, що проводи та шнури можуть заплутатися в ріжучих деталях.
- Вимкніть і відключіть від джерела живлення перед:
 - обслуговуванням
 - залишенням продукту без нагляду
 - cleaning your product or clearing a blockage
 - зміненою приладдя
 - перевіркою на будь-яке пошкодження після удару об'єкта
 - перевіркою на будь-яке ушкодження, якщо продукт починає ненормально вібрувати
 - виконанням технічного обслуговування
- Маленьке лезо, встановлене на обмежувач ходу для галявини призначено для обрізки нової розширеної лінії до потрібної довжини для безпечної і оптимальної продуктивності. Воно дуже гостре, не торкайтеся до нього, особливо при чищенні інструменту.
- Завжди переконайтеся, що вентиляційні отвори знаходяться чистими від сміття.
- Переконайтеся, що кріплення голівки правильно встановлені і надійно закріплені.
- Переконайтеся, що всі захисні огорожі, дефлектори і ручки правильно і надійно закріплені.
- Не змінюйте машину будь-яким чином, це може збільшити ризик травми для себе чи інших осіб.
- Використовуйте тільки запасні лінії

від виробника в ріжучій голівці. Не використовуйте будь-який інше ріжуче приладдя.

- Завжди розмотайте шнур живлення під час використання, скручений кабель може перегрітися. Перед повторним запуском зверніться до авторизованого сервісного центру за ремонтом.

ТРАНСПОРТУВАННЯ ТА ЗБЕРІГАННЯ

- Зупиніть машину і дайте їй охолонути, перед зберіганням або транспортуванням.
- Очистіть всі сторонні матеріали з продукту. Зберігайте його в сухому прохолодному і добре провітрюваному місці, недоступному для дітей. Зберігати подалі від агресивних агентів, таких як садові хімікати і солей проти обледеніння. Не зберігайте на відкритому повітрі.
- Для зберігання, завжди відключайте від джерела живлення і змотуйте кабель.
- Щоб попередити травми людей або пошкодження виробу, забезпечте, щоб виріб не рухався та падав.

ТЕХНІЧНЕ ОБСЛУГОВУВАННЯ

▲ ПОПЕРЕДЖЕННЯ

Використовуйте тільки оригінальні запасні частини, аксесуари та обладнання від виробника. Невиконання цієї вимоги може привести до можливої травми, поганої продуктивності та може призвести до втрати гарантії.

▲ ПОПЕРЕДЖЕННЯ

Обслуговування вимагає крайньої обережності і знання і повинно бути виконане тільки кваліфікованим фахівцем. Для обслуговування, ми пропонуємо вам повернути продукт в найближчий авторизований сервісний центр для ремонту. При обслуговуванні використовуйте тільки ідентичні запасні частини.

- Вимкніть і видаліть штепсель з мережі перед обслуговуванням або якщо шнур пошкоджений.
- Ви можете зробити регулювання та ремонт, описані в цьому посібнику

користувача. Для інших ремонтних робіт, зверніться до авторизованого сервісного агента.

- Під час заміни волосіні використовуйте тільки нейлонову волосінь з діаметром, вказаним у таблиці технічних характеристик цього керівництва.
- Після натягування нової ріжучої лінії, завжди поверніть товар в нормальне робоче положення перед початком роботи.
- Після кожного використання, очистіть виріб м'якою сухою тканиною. Будь-яка пошкоджена деталь, має бути правильно відремонтована або замінена в авторизованому сервісному центрі.
- Перевірте всі гайки, болти і гвинти після короткого проміжка часу на правильну герметичність, щоб забезпечити продукт у безпечному робочому стані.

ЗАЛИШКОВІ РИЗИКИ

Навіть коли продукт використовується як написано, залишається неможливим повністю усунути деякі залишкові чинники ризику. Наступні небезпеки можуть виникати при використанні продукту та оператору слід звернути особливу увагу, щоб уникнути наступного:

- Травми, викликані вібрації. Використовуйте призначені ручки і обмежіть час роботи і вплив.
- Вплив шуму може призвести до пошкодження слуху. Користуйтеся засобами захисту слуху і обмежіть вплив.
- Травма очей внаслідок відлітаючих обрізків. Завжди надягайте захисні окуляри.

ЗНИЖЕННЯ РИЗИКУ

Відомі випадки, коли вібрація від ручних інструментів сприяє появі так званого синдрому Рейно. Симптоми можуть включати поколювання, оніміння і збліднення пальців, як правило, очевидні при впливі холоду. Спадкові фактори, вплив холоду і вогкості, дієта, куріння і робоча практика, всі ці чинники роблять свій внесок у розвиток цих симптомів. Ці заходи можуть бути прийняті оператором, щоб можливо зменшити вплив вібрації:

- Тримайте тіло в теплі в холодну

погоду. При експлуатації приладу, одягайте рукавички, щоб тримати руки і зап'ястя у теплі.

- Повідомлялося, що холодна погода є основним чинником, що сприяє синдрому Рейно.
- Після кожного періоду роботи, здійснюйте вправи для підвищення кровообігу.
- Робіть часті перерви в роботі. Зробіть обмеження кількості впливу на день.

Якщо ви відчуваєте будь-які з симптомів цього стану, негайно припиніть використання і зверніться до лікаря з ціми симптомами.

⚠ ПОПЕРЕДЖЕННЯ

Тривале використання інструменту може викликати або посилити травми. При використанні інструменту протягом тривалого періоду, робіть регулярні перерви.

ЗНАЙ СВІЙ ПРОДУКТ

Дивіться сторінку 131.

1. Задня ручка
2. Затисна клямка
3. Клямка
4. Передня ручка
5. Ремінь
6. Верхній вал
7. Нижній вал
8. Захисне запобіжне пристосування
9. Обрізаюче лезо
10. Ріжуча лінія
11. Vimp head
12. Шнур живлення
13. Cord retainer
14. Кришка котушки
15. Котушка
16. Вушко

СИМВОЛИ НА ПРОДУКТІ



Читайте і зрозумійте всі інструкції перед експлуатацією виробу, дотримуйтеся всіх вказівок і попереджень з техніки безпеки.



Завжди надягайте захисні окуляри.



Носіть захист слуху.



Не використовуйте металеве лезо(а) на продукті.



Не піддавайте впливу дощу або вогкому стану.



Терміново вийміть вилку з мережі перед обслуговуванням, або, якщо кабель пошкоджений або розрізаний.



Остерігайтеся кинутих або літаючих об'єктів. Тримайте спостерігачів на безпечній відстані від продукту.



Тримайте руки подалі від зрізаючого леза.



Інструмент II класу, подвійна ізоляція



Відходи електротехнічної продукції не слід викидати разом із побутовими відходами. Будь ласка, переробляйте там, де наявне устаткування. Check with your Local Authority or retailer for recycling advice.



Український знак відповідності



Відповідає всім нормативним стандартам в країнах ЄС, де виріб було придбано.



Євразійський знак відповідності



Гарантований рівень звукової потужності 96 дБ.



Остерігайтеся кинутих або літаючих об'єктів. Тримайте спостерігачів на безпечній відстані від продукту.

СИМВОЛИ В ЦЬОМУ КЕРІВНИЦТВІ



Підключення до електричної розетки.



Відключення від електричної розетки.



Запчастини та аксесуари, що продаються окремо



Примітка



Попередження

Наступні сигнальні слова і змісти призначені для пояснення рівнів ризику, пов'язаних з продуктом.

⚠ НЕБЕЗПЕКА

Вказує на неминуче небезпечну ситуацію, яка, якщо її не уникнути, може призвести до смерті або серйозних травм.

⚠ ПОПЕРЕДЖЕННЯ

Вказує на потенційно небезпечну ситуацію, яка, якщо її не уникнути, може призвести до смерті або серйозних травм.

⚠ ПОПЕРЕДЖЕННЯ

Вказує на потенційно небезпечну ситуацію, яка, якщо її не уникнути, може призвести до легкої або середньої травми.

ПОПЕРЕДЖЕННЯ

Без попереджувючих символів Вказує на ситуацію, яка може призвести до пошкодження майна.

Elektrikli çim budama makinenizin tasarımında güvenlik, performans ve güvenilirliğe en yüksek öncelik verilmiştir.

KULLANIM AMACI

Ürün yalnızca dış mekanda ayakta kullanım için tasarlanmıştır.

Ürün çim, hafif ot ve yer ve yakını seviyesindeki benzer bitkileri kesmek için tasarlanmıştır. Kesme düzlemi yaklaşık olarak zemin yüzeyine paralel olmalıdır.

Ürün çitleri, çalıları ve kesme yüksekliği zemin düzeyinde ya da hemen üzerinde olmayan diğer bitkileri kesmek ya da kırmak için kullanılamaz.

GENEL GÜVENLİK UYARILARI

⚠ UYARI

Bu ürünü kullanırken güvenlik kurallarına uyulmalıdır. Kendi güvenliğiniz ve çevrenizdeki kişilerin güvenliği için ürünü kullanmadan önce bu talimatları tamamen okumalı ve anlamalısınız. Lütfen bu talimatları daha sonra kullanmak üzere güvenli bir yerde saklayın.

⚠ UYARI

Bu ürün çocuklar veya fiziksel, zihinsel veya duyuşsal becerileri kısıtlı kişiler tarafından kullanıma uygun değildir. Ürünle oynamadıklarından emin olmak için çocuklara uygun şekilde nezaret edilmelidir.

⚠ UYARI

Bazı bölgeler ürünün bazı çalışmalarda kullanımına kısıtlama getiren yönetmeliklere sahiptir. Tavsiye için bölgenizdeki yetkili merciyeye başvurun.

EĞİTİM

- Hiçbir zaman çocukların veya bu talimatları bilmeyen kişilerin ürünü kullanmasına izin vermeyin. Yerel yönetmelikler kullanıcının yaşına kısıtlama getirebilir.
- Talimatları dikkatlice okuyun. Tüm kontrolleri ve makinenin nasıl doğru şekilde kullanılacağını öğrenin.
- Çevrenizdeki kişileri, çocukları ve evcil

hayvanları çalışma alanından 15m uzaklaştırın. Eğer herhangi biri bu alana girse ürünü durdurun.

- Ürünü hiçbir zaman yorgunken, hastayken veya alkol, uyuşturucu veya ilaç etkisi altındayken kullanmayın.
- Kazalardan ve diğer insanlara veya mallarına zarar verebilecek tehlikelerden kullanıcının sorumlu olduğunu unutmayın.

ELEKTRİKSEL GÜVENLİK

- Elektrik fişleri prize uygun olmalıdır. Fiş hiçbir zaman hiçbir şekilde değiştirmeyin. Topraklı elektrikli aletlerle birlikte herhangi bir adaptörlü fiş kullanmayın. Üzerinde değişiklik yapılmayan fişler ve uygun prizler elektrik çarpması riskini azaltır.
- Kazara çalıştırılmasını önleyin. Ürünü güç kaynağına takmadan önce her zaman anahtarın Kapalı konumda olduğunu kontrol edin. Fişe takılı bir ürünü parmağınız anahtarın üzerindeyken taşımayın.
- Vücudunuzla borular, radyatörler, kuzine ve buzdolabı gibi topraklı ürünlere temas etmekten kaçının. Vücudunuz topraklanırsa yüksek elektrik çarpması riski mevcuttur.
- Gök gürültülü fırtına ya da şimşek çakması olasılığı olduğunda ürünü kullanmayın.
- Ürünü yağmura veya ıslak koşullara maruz bırakmayın. Cihaza su girmesi elektrik çarpması riskini artırır.
- Elektrik gücü 30 mA'yı geçmeyen trip akımına sahip bir artık akım cihazı (RCD) ile sağlanmalıdır.
- Her kullanım öncesinde güç kablosunu hasara karşı kontrol edin. Eğer hasar belirtileri varsa değiştirilmesi gerekir. Kullanım sırasında güç kablosunu her zaman açın; sarılmış kablolar aşırı ısınabilir.
- Uzatma kablosu kullanmak zorunda kalırsanız dış mekan kullanımına uygun ve ürününüzü destekleyecek akım kapasitesi derecelendirmesine sahip olduğundan emin olun. Uzatma kablosu "H05 RN F" veya "H05 VV F" olarak işaretlenmiş olmalıdır. Her kullanımdan önce hasara karşı kontrol edin; sarılı kablolar aşırı ısınabileceğinden kullanım sırasında her zaman kabloyu açın. Zarar görmüş uzatma kabloları onarılmamalıdır, muadiliyle değiştirilmesi gerekir.

- Eğer kablo zarar görmüş veya aşınmışsa ürünü kullanmayın.
- Güç kablosu ya da uzatma kablosu kullanım sırasında zarar görürse, derhal güç kaynağıyla bağlantıyı kesin. Güç kaynağı bağlantısı kesilene dek elektrikli kablolar dokunmayın.
- Güç kablosunun kesme aletleri nedeniyle hasar görmeyeceği ve üzerine basmayacağınız, takılıp düşmeyeceğiniz veya başka bir hasara veya strese maruz kalmayacağı şekilde yerleştirildiğinden emin olun.
- Ürünü hiçbir zaman elektrik kablosundan kaldırmayın veya taşımayın.
- Hiçbir zaman güç kaynağından ayırmak için güç kablosundan çekmeyin.
- Güç kablosunu ısı, yağ ve keskin kenarlı nesnelere uzak tutun.
- Voltajın ürününüz için doğru olduğundan emin olun. Ürün üzerinde bulunan bir isim levhası ünitenin voltajını gösterir. Ürünü hiçbir zaman bu voltajdan farklı bir AC voltajına bağlamayın.
- Güç kaynağından ayırmadan önce anahtarın Kapalı konumunda olduğundan emin olun.

HAZIRLIK

- Bu ekipmanı kullanırken koruyucu gözlük ve kulak tıkacı takın. Eğer nesnelere düşme riskinin bulunduğu bir alanda çalışıyorsanız kask takılmalıdır.
- Kulak tıkacı operatörün ikaz seslerini duyma becerisini kısıtlayabilir. Çalışma alanının çevresindeki ve içindeki potansiyel tehlikelere karşı dikkatli olun.
- Uzun ağır iş pantolonu, botu ve eldiveni giyin. Bol kıyafetler, kısa pantolon giymeyin, herhangi bir takı takmayın veya çıplak ayakla kullanmayın.
- Saçlarınız uzunsa hareketli parçalara dolaşmasını önlemek için omuz seviyesinin üzerinde toplayın.
- Her kullanım öncesi ve her hangi bir darbeden sonra hasarlı parça olmadığını kontrol edin. Arızalı bir anahtarın ya da hasarlı veya aşınmış herhangi bir parçanın yetkili bir servis tarafından gerektiği gibi onarılması ya da değiştirilmesi gerekir.
- Kesme eklentisinin düzgün şekilde takılı olduğundan ve güvenli şekilde

sıkıştırıldığından emin olun.

- Tüm korumalar, deflektörler ve tutamaklar düzgün ve güvenli şekilde takılmadan aska ürünü kullanmayın.
- Çalıştığınız ortama dikkat edin. Çalışma alanınızda kesicinin çarpıp fırlatmasına yol açabilecek kablo, sopa, taş ve çöp olmadığından emin olun.

BİÇME MAKİNESİ UYARILARI

- Hiçbir zaman çocukların, fiziksel, duyuşsal veya zihinsel becerileri kısıtlı veya tecrübesiz ve bilgisi yetersiz kişilerin veya bu talimatları bilmeyen insanların bu ürünü kullanmasına izin vermeyin. Yerel yönetmelikler kullanıcının yaşına kısıtlama getirebilir.
- Ürünü gün ışığında ya da iyi yapay aydınlatmayla kullanın.
- Islak çim üzerinde kullanmaktan kaçının.
- Yere sağlam basın ve dengeyi her zaman koruyun.
- Ürünü kullanırken geri geri yürümeyin.
- Yere sağlam basın ve dengede durun. Yukarıya doğru erişmeye çalışmayın. Yukarıya erişmeye çalışmak dengeyi kaybetmenize neden olabilir. Eğimli yerlerde yere her zaman sağlam bastığınızdan emin olun. Yürüyün, hiçbir zaman koşmayın.
- Çevrenizdeki kişileri, çocukları ve evcil hayvanları çalışma alanından 15 m uzaklaştırın. Eğer herhangi biri bu alana girerse ürünü durdurun.
- Kesme eklentisini bel seviyesinin altında tutun.
- Ürünü hasar görmüş korumalar varken ya da korumalar olmadan asla kullanmayın.
- Asla metal yedek tel kullanmayın.
- Her zaman el ve ayaklarınızı kesme araçlarından özellikle motoru çalıştırırken uzak tutun.
- Dikkat, kesme elemanları motor kapandıktan sonra da dönmeye devam eder.
- Kesme araçlarının fırlatabileceği objelere karşı dikkatli olun. Çalışma alanındaki küçük taşlar, çakıl ve diğer yabancı nesnelere çalışmadan önce temizleyin. Kablo ya da teller kesme araçlarına dolanabilir.

- Aşağıdaki işlemlerden önce ürünü kapatın ve güç kaynağı bağlantısını kesin:
 - servis
 - ürün gözetimsiz bıraktığınızda
 - ürününüzü temizleme ya da tıkanıklığı giderme
 - aksesuarların değiştirilmesi
 - bir nesneye çarptıktan sonra herhangi bir hasara karşı kontrol
 - ürün anormal derecede titreyerek çalışıyorsa herhangi bir hasara karşı kontrol
 - bakım yapma
- Çim korumasına takılı olan küçük bıçak, güvenli ve en iyi performans için yeni çekilmiş teli doğru uzunlukta kesmek içindir. Çok keskindir; özellikle ürünü temizlerken dokunmayın.
- Havalandırma girişlerinin her zaman birikintiden arındırılmış hâlde tutulduğundan emin olun.
- Kesme eklentisinin düzgün şekilde takılı olduğundan ve güvenli şekilde sıkıştırıldığından emin olun.
- Tüm korumaların, deflektörlerin ve kulpların doğru ve güvenli şekilde takıldığından emin olun.
- Üründe herhangi bir şekilde değişiklik yapmayın, bu sizin veya başkalarının yaralanma riskini artırabilir.
- Yalnızca üreticinin yedek kesme telini kullanın. Başka bir kesme aparatı kullanmayın.
- Kaza ya da arıza esnasında derhal güç düğmesini kapatın ve ana güç kaynağı bağlantısını kesin. Yetkili servis merkezi tarafından kontrol edilene dek ürünü tekrar çalıştırmayın.

TAŞIMA VE DEPOLAMA

- Motoru durdurun ve depolamadan veya taşımadan önce soğumasını bekleyin.
- Üründeki tüm yabancı maddeleri temizleyin. Çocukların erişemeyeceği serin, kuru ve iyi havalandırılan bir yerde depolayın. Bahçe kimyasalları ve buz çözücü tuzlar gibi korozyif maddelerden uzak tutun. Açık alanda depolamayın.
- Depolama için her zaman güç kaynağı bağlantısını kesin ve kabloyu sarın.

- Taşınacağı zaman insanların yaralanmasını veya ürünün zarar görmesini önlemek amacıyla ürünü hareket etmemesi veya düşmemesi için sabitleyin.

BAKIM

⚠ UYARI

Sadece orijinal üreticinin yedek parçalarını, aksesuarlarını ve ek parçalarını kullanın. Aksi hâlde olası yaralanmalara, zayıf performansa neden olabilir ve garantinizi geçersiz kılabilir.

⚠ UYARI

Servis çalışması en yüksek düzeyde dikkat ve bilgi gerektirir ve sadece nitelikli bir servis teknisyeni tarafından yapılmalıdır. Servis için ürünü onarım amacıyla size en yakın yetkili servis merkezi'ne göndermenizi öneriyoruz. Servis yapılırken sadece aynı yedek parçaları kullanın.

- Herhangi bir bakım veya temizlik çalışması yapmadan önce şebeke gücünü kapatın ve ayırın.
- Burada açıklanan ayar ve onarım çalışmalarını yapabilirsiniz. Diğer onarımlar için yetkili servis temsilcisini arayın.
- Yedek tel olarak yalnızca bu kılavuzun spesifikasyonlar tablosunda belirtilen çapta naylon tel kullanın.
- Yeni kesme telini çektikten sonra her zaman çalışmaya başlamadan ürünü normal çalışma konumuna getirin.
- Her kullanım sonrası ürünü yumuşak ve kuru bir bezle temizleyin. Hasarlı her tür parça yetkili servis merkezi tarafından uygun şekilde onarılmalı veya değiştirilmelidir.
- Ürünün güvenli çalışma durumunda olduğundan emin olmak için tüm somunların, civataların ve vidaların doğru sıklıkta sık aralıklarla takıldığından kontrol edin.

ARTIK RİSKLER

Ürün belirtilen şekilde kullanıldığında bile belirli artık risk faktörlerini tamamen ortadan kaldırmak mümkün değildir. Kullanım sırasında aşağıdaki tehlikeler ortaya çıkabilir

ve kullanıcının aşağıdaki durumları önlemek için özellikle dikkatli olması gerekir:

- Titreşim nedeniyle yaralanma. Ürünle belirtilen tutamaklardan tutun ve ürünle çalışma ve ürüne maruz kalma süresini kısa tutun.
- Gürültüye maruz kalmak işitme sorunlarına neden olabilir. Kulak tıkacı takın ve maruz kalma süresini sınırlandırın.
- Fırlayan birikintiler nedeniyle göz yaralanması. Her zaman uygun kulak tıkacı takın.

RİSK AZALTMA

El aletlerinden kaynaklanan titreşimlerin belirli kişilerde Raynaud Sendromu adı verilen bir durumu etkilediği bildirilmiştir. Semptomlar içerisinde parmaklarda genellikle soğuğa maruz kaldığında açığa çıkan karıncalanma, hissizlik ve ağarma yer bulunabilir. Kalıtsal faktörler, soğuğa ve neme maruz kalma, diyet, sigara içme ve çalışma uygulamalarının hepsinin bu semptomların gelişimini etkilediği düşünülmektedir. Titreşim etkilerini azaltmak için kullanıcı tarafından alınabilecek önlemler vardır:

- Soğuk havada vücut ısınız koruyun. Ürünü kullanırken ellerinizi ve bileklerinizi sıcak tutmak için eldiven giyin. Soğuk havanın Raynaud Sendromu'nu etkileyen önemli bir faktör olduğu bildirilmiştir.
- Her kullanım süresinden sonra kan dolaşımını artırmak için egzersiz yapın.
- Sık çalışma molası verin. Günlük maruz kalma miktarını sınırlayın.

Eğer bu durumla ilgili herhangi bir semptom görürseniz çalışmayı derhal bırakın ve bu semptomlar hakkında doktorunuza başvurun.

⚠ UYARI

Ürünün uzun süre kullanılması nedeniyle yaralanmalar meydana gelebilir veya kötüleşebilir. Herhangi bir alet uzun süre kullanıldığında düzenli molalar verdiğinizden emin olun.

ÜRÜNÜNÜZÜ TANIYIN

Bkz. sayfa 131.

1. Arka tutamak
2. Tetik kilitleme düğmesi
3. Tetik

4. Ön tutamak
5. Kayış Tertibatı
6. Üst mil
7. Alt şaft
8. Güvenlik koruması
9. Kesme bıçağı
10. Kesme İpi
11. Çarpma başlığı
12. Güç kablosu
13. Kablo tutucu
14. Makara kapağı
15. Sargı
16. Delik halka

ÜRÜN ÜZERİNDEKİ SEMBOLLER



Ürünü kullanmadan önce tüm talimatları okuyun ve anlayın, tüm uyarılara ve güvenlik talimatlarına uyun.



Koruyucu gözlük takın.



Kulak tıkacı takın.



Bu ürünle metal bıçak kullanmayın.



Ürünü yağmura veya nemli koşullara maruz bırakmayın.



Bakım öncesinde ya da kablo hasar görmüş, kesilmiş ya da dolanmışsa fişi ana güç kaynağından hemen çekin.



Fırlayan ve sıçrayan nesnelere dikkat edin. Üçüncü şahısları, özellikle çocukları ve evcil hayvanları çalışma alanından en az 15 m uzakta tutun.



Ellerinizi kesici bıçağa yaklaştırmayın.



Sınıf II alet, çift yalıtımlı



Atık elektrikli ürünler evsel atıklarla birlikte atılmamalıdır. Lütfen tesislerin mevcut olduğu yerlerde geri dönüştürün. Geri dönüşüm tavsiyesi için bölgenizdeki yetkili merciye veya satıcıya başvurun.



Ukrayna uygunluk işareti.



Ürünün satın alındığı AB ülkesindeki tüm düzenleyici standartlara uygundur.



EurAsian Uygunluk İşareti



Güvenceli ses gücü seviyesi 96 dB'dir.



Fırlayan ve sıçrayan nesnelere dikkat edin. Yakında duran kişileri makineden güvenli bir uzaklıkta tutun.

BU KILAVUZDAKİ SEMBOLLER



Elektrik fişine bağlayın.



Elektrik fişinden ayırın.



Ayrı satılan parçalar veya aksesuarlar



Not



Uyari

Aşağıdaki işaret sözcükler ve anlamları bu ürünle ilişkili risk seviyelerinin açıklanmasına yöneliktir.

⚠ TEHLİKE

Önlenmemesi durumunda ölüm veya ciddi yaralanma ile sonuçlanacak ciddi tehlike içeren bir durumu gösterir.

⚠ UYARI

Önlenmemesi durumunda ölüm veya ciddi

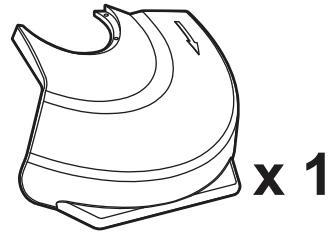
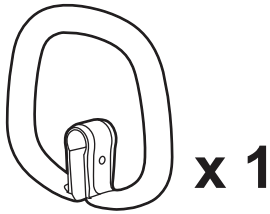
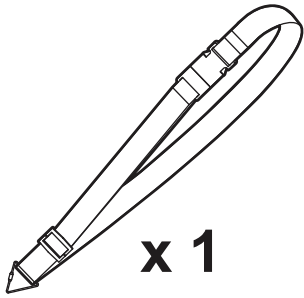
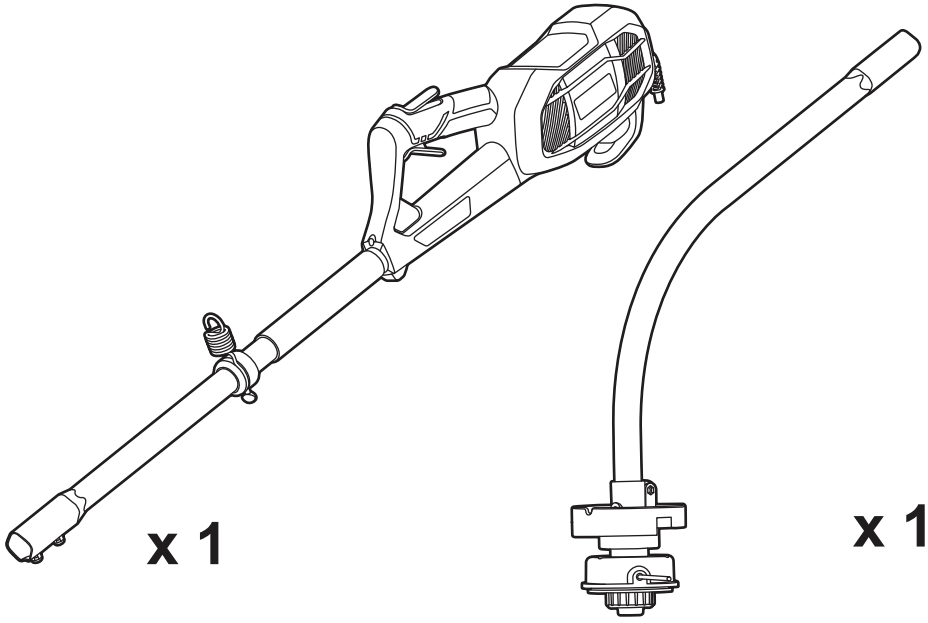
yaralanma ile sonuçlanabilecek potansiyel olarak tehlikeli bir durumu gösterir.

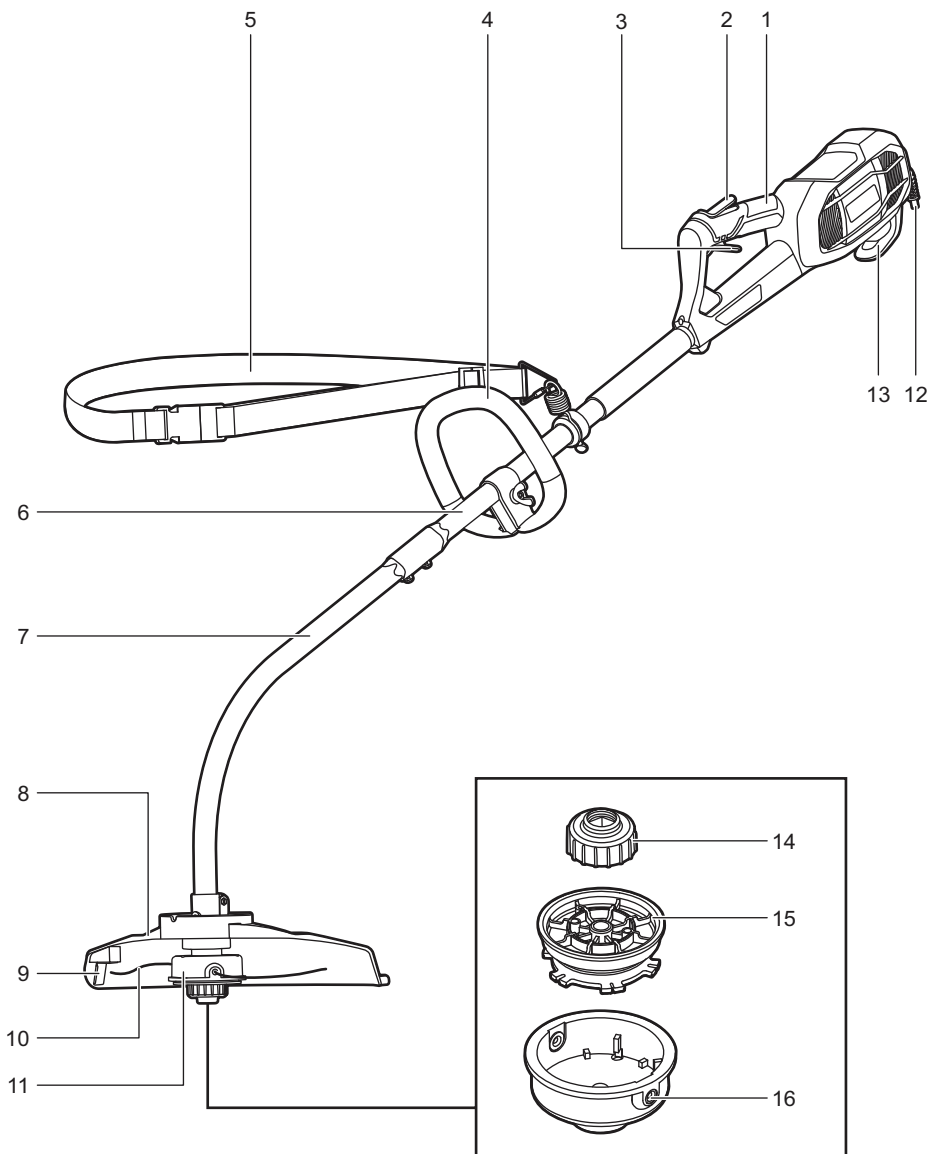
⚠ İKAZ

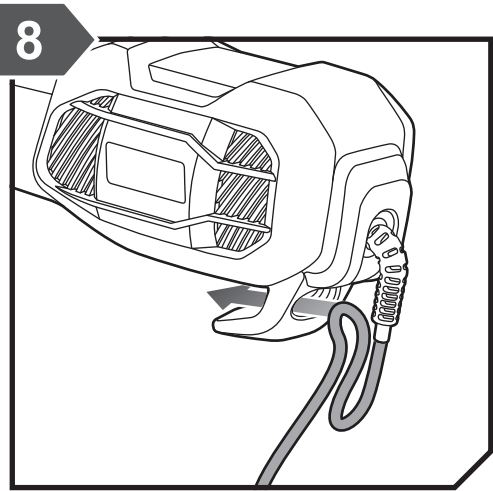
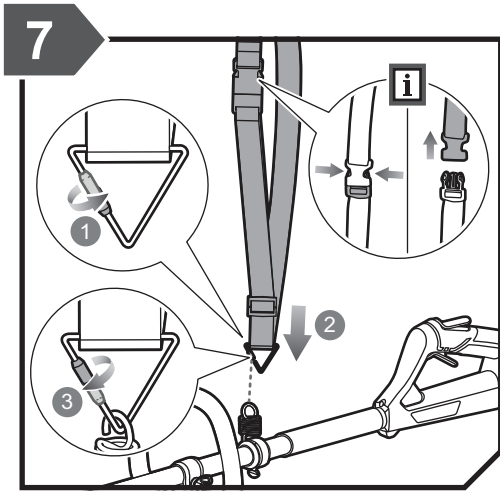
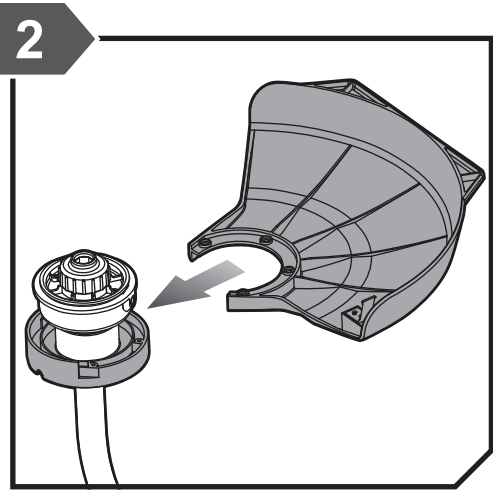
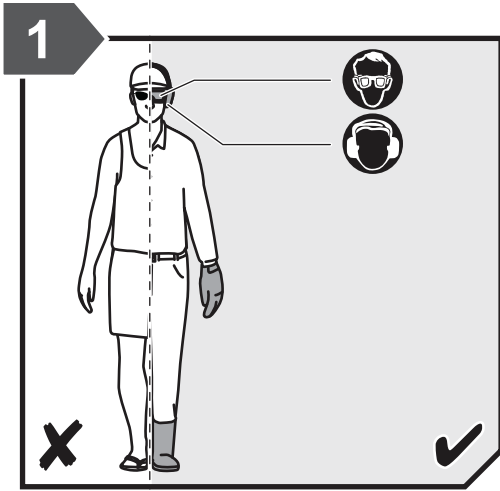
Önlenmemesi durumunda önemsiz veya orta derece yaralanma ile sonuçlanabilecek potansiyel olarak tehlikeli bir durumu gösterir.

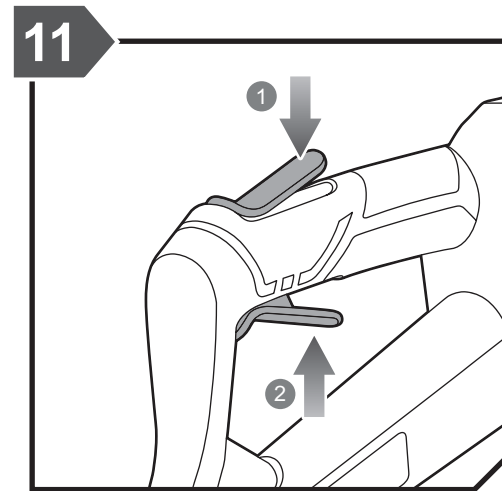
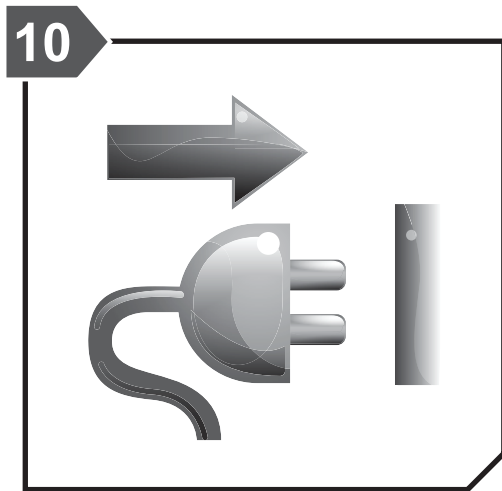
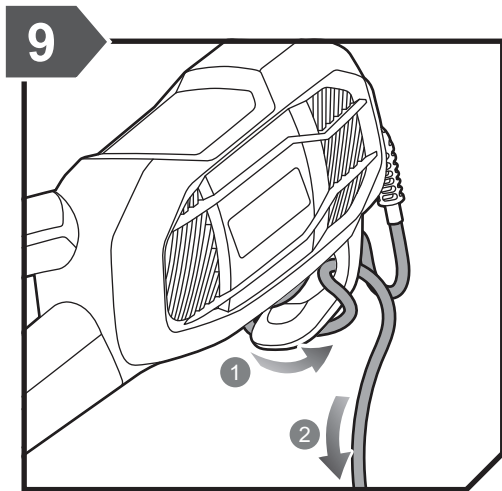
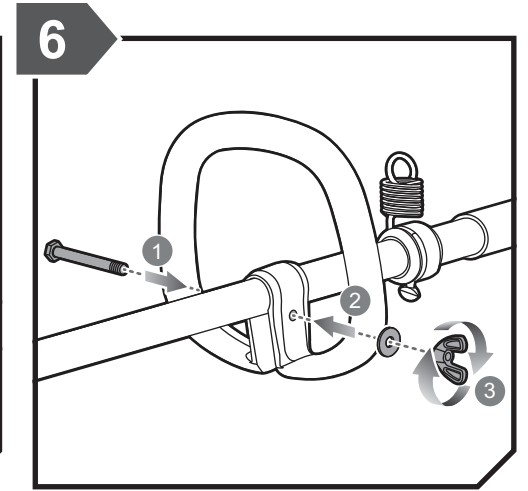
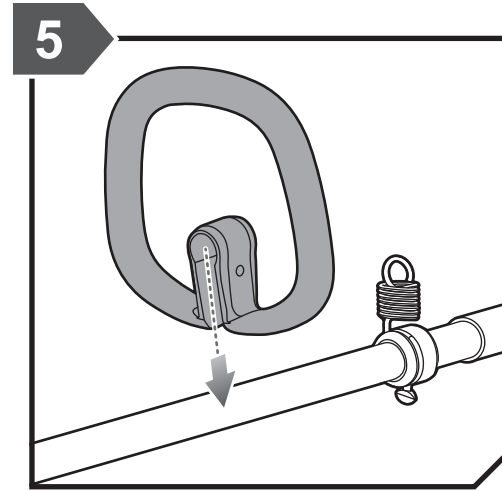
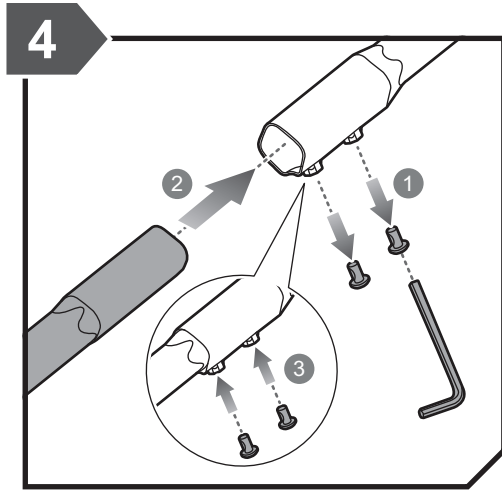
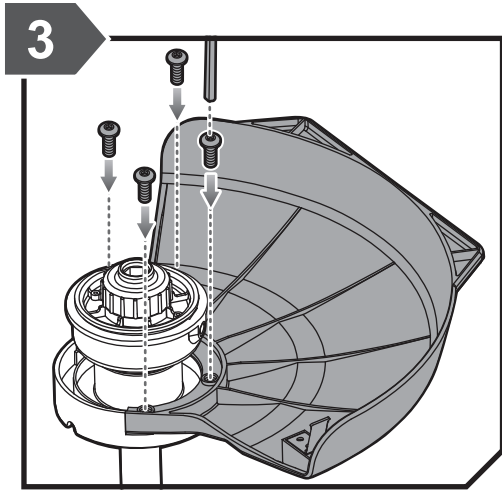
İKAZ

Güvenlik uyarısı sembolü olmadığında Maddi hasarla sonuçlanabilecek bir durumu gösterir.

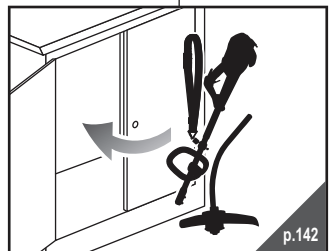
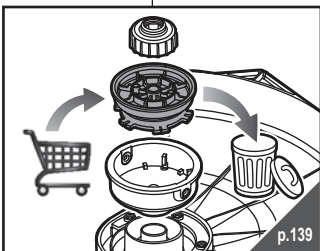
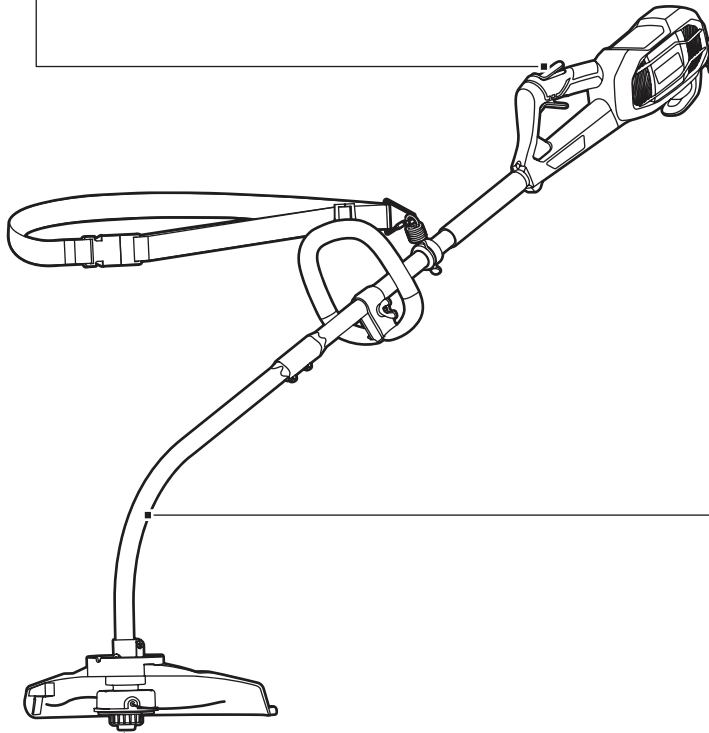
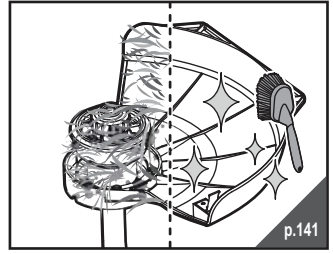
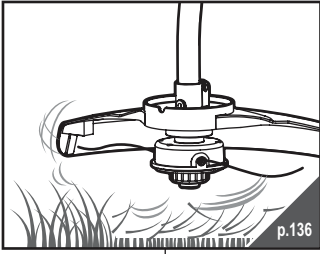


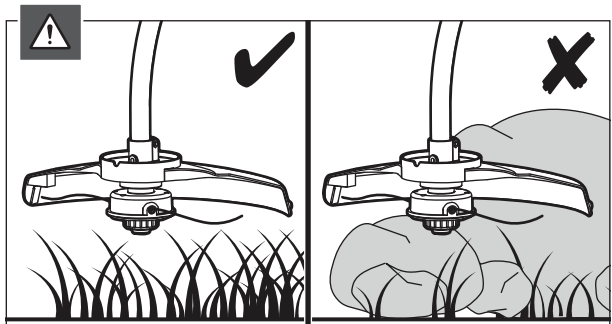
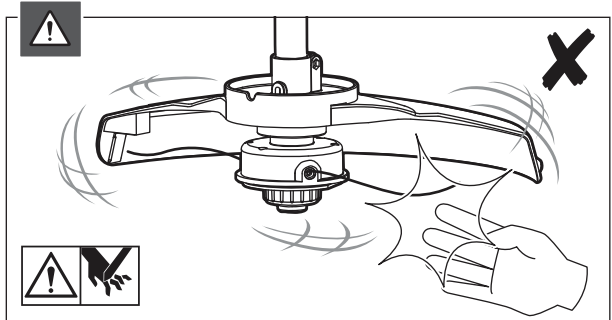
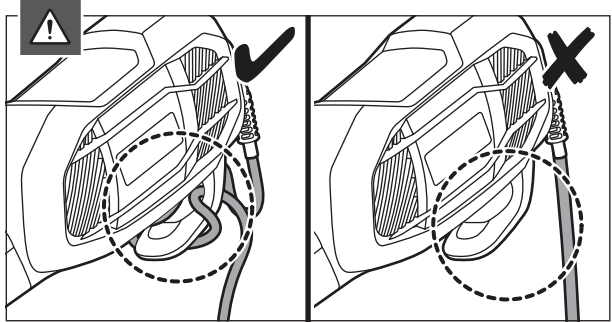
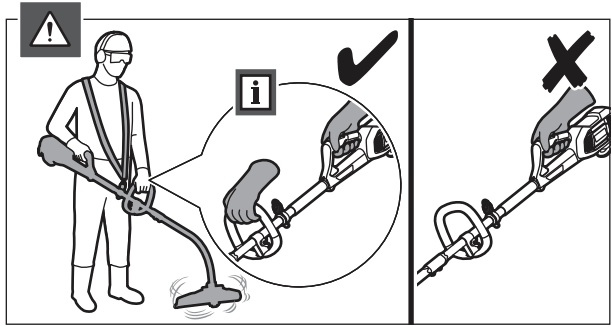
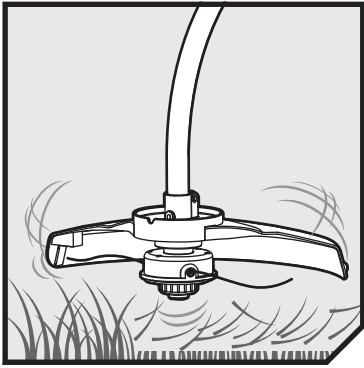


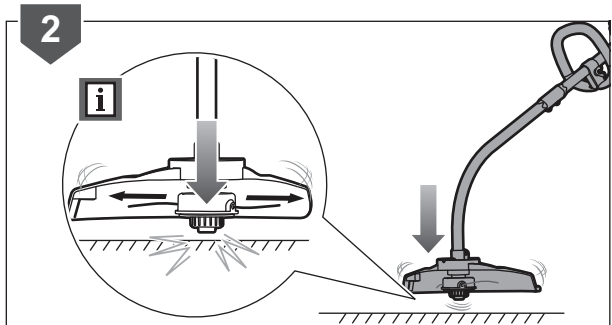
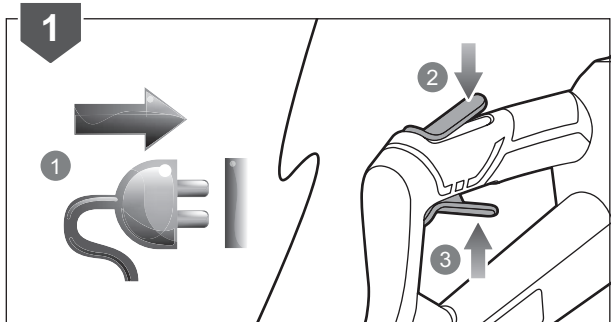
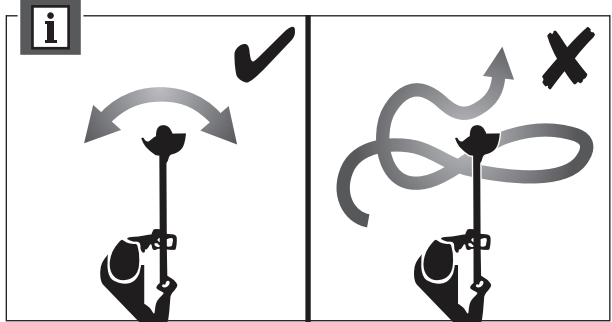
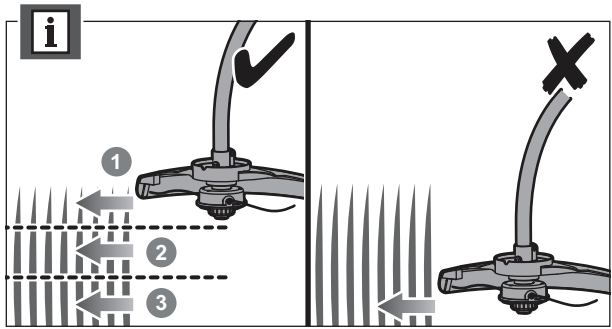


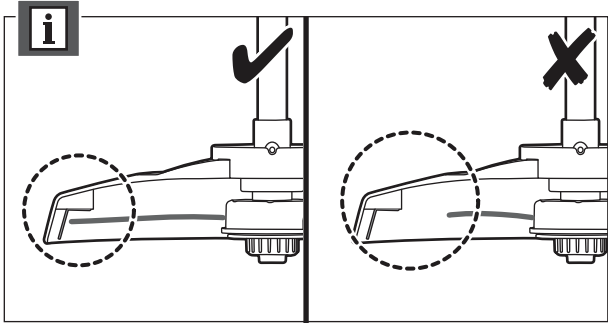
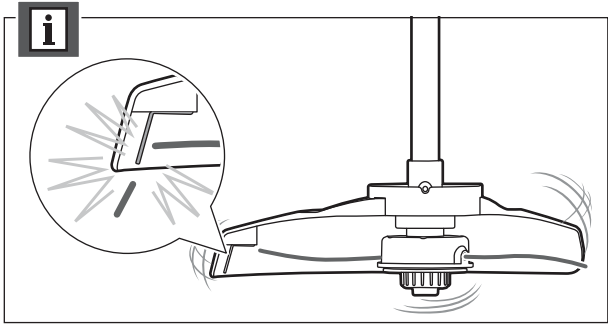


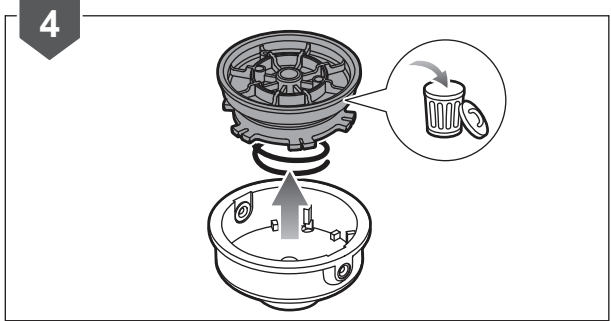
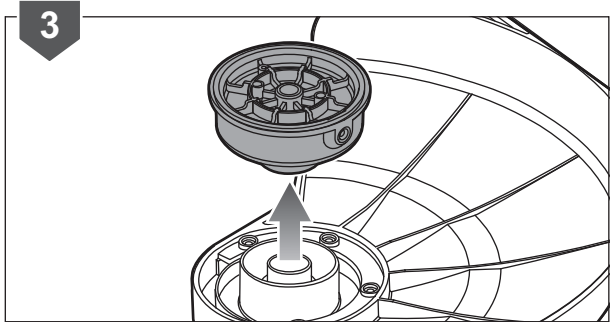
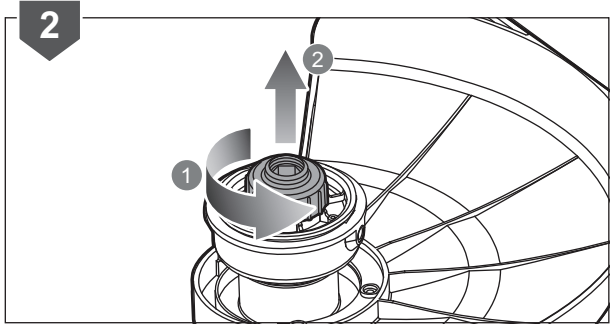
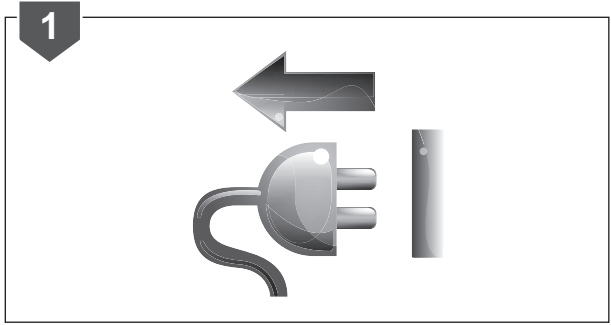


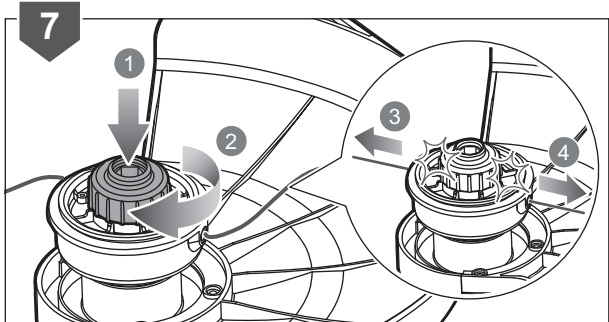
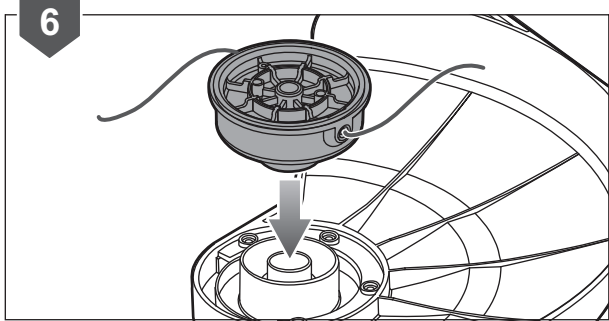
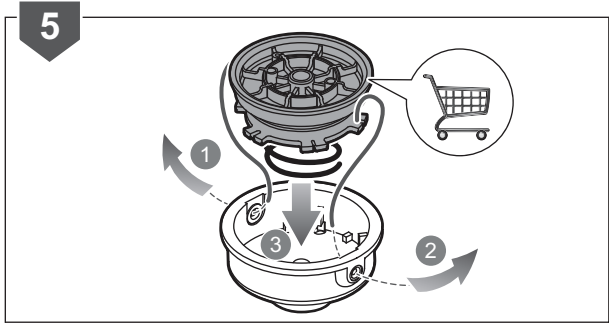


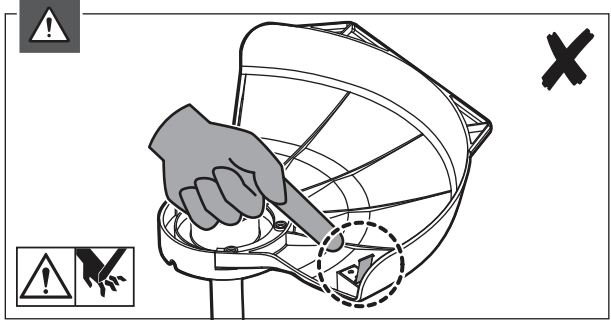
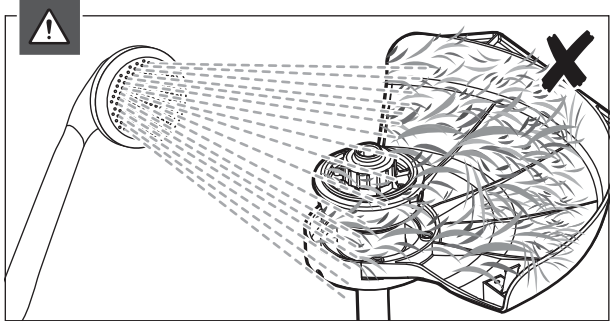
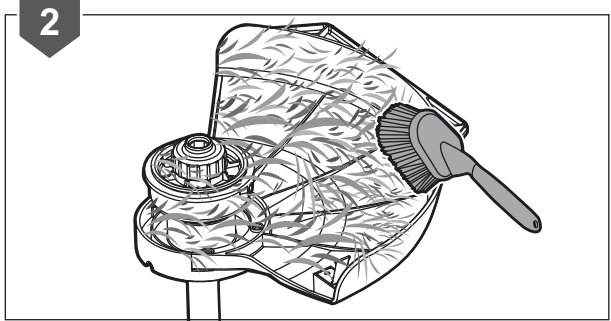
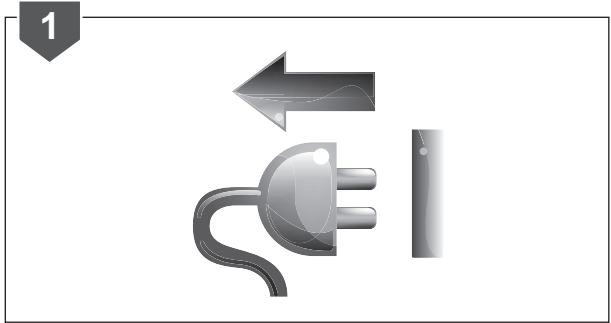
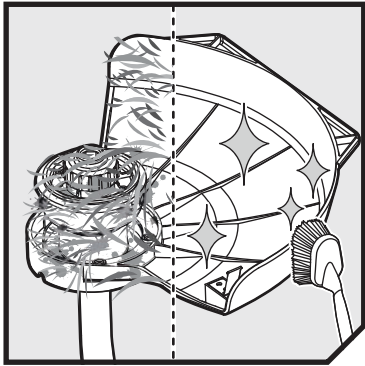


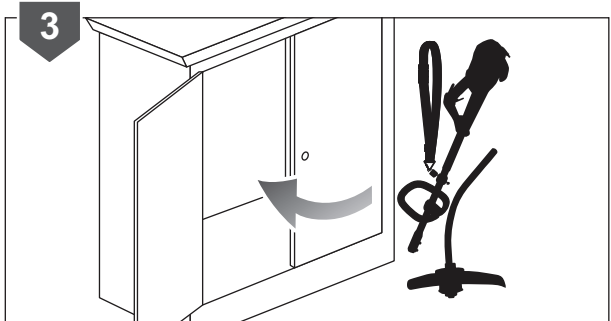
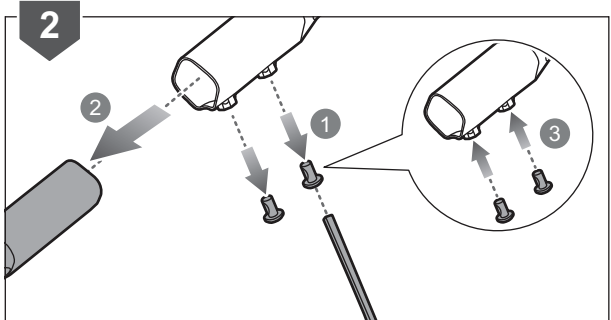
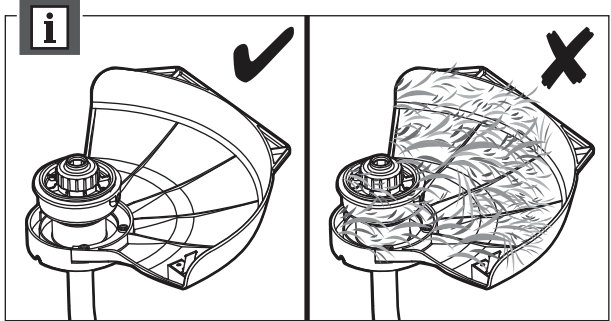
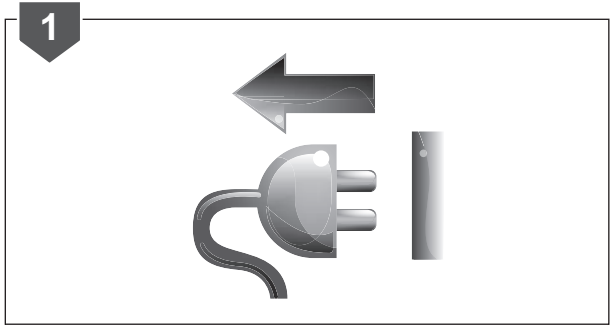














English	Français	Deutsch	Español	Italiano
Product specifications	Caractéristiques produit	Produkt-Spezifikationen	Características del producto	Caratteristiche del prodotto
Electric Line Trimmer	Coupe bordures électrique	Elektrischer Rasentrimmer	Cortabordes eléctrico	Tagliabordi elettrico a filo
Model	Modèle	Modell	Modelo	Modello
Rated power	Puissance nominale	Leistung	Potencia clasificada	Alimentazione
Rated voltage	Tension nominale	Nennspannung	Tensión nominal	Voltaggio nominale
No-load speed	Vitesse de rotation	Leerlaufgeschwindigkeit	Velocidad sin carga	Velocità senza carico
Cutting line diameter	Diamètre du Fil de Coupe	Schneidfaden-Durchmesser	Cortar el diámetro de la línea	Diametro linea di taglio
Cutting capacity	Capacité de coupe	Schnittbreite Durchmesser	Capacidad de corte	Capacità di taglio
UK Power cord length	UK Longueur du câble d'alimentation	UK Länge des Netzkabels	UK Longitud del cable de alimentación	UK Lunghezza cavo di alimentazione
VDE Power cord length	VDE Longueur du câble d'alimentation	VDE Länge des Netzkabels	VDE Longitud del cable de alimentación	VDE Lunghezza cavo di alimentazione
Vibration level (in accordance with EN 50636-2-91 Annex BB)	Niveau de vibration (selon l'Annexe BB de EN 50636-2-91)	Vibrationsgrad (gemäß Anhang BB von EN 50636-2-91)	Nivel de vibración (de acuerdo con el Anexo BB de EN 50636-2-91)	Livello vibrazioni (secondo quanto disposto dall'Allegato BB della Direttiva EN 50636-2-91)
Rear handle	Poignée arrière	Hinterer Haltegriff	Mango trasero	Manico posteriore
Front handle	Poignée avant	Vorderer Haltegriff	Mango delantero	Manico anteriore
Uncertainty of measurement	Incertitude de la mesure	Unsicherheit der Messung	Incetidumbre de medición	Incertezza della misurazione
Noise emission level (in accordance with EN 50636-2- 91 Annex CC)	Niveau d'émission sonore (selon l'Annexe CC de EN 50636-2- 91)	Geräuschemission (gemäß Anhang CC von EN 50636-2- 91)	Nivel de emisión de ruido (de acuerdo con el Anexo CC de EN 50636-2- 91)	Livello di emissione rumore (secondo quanto disposto dall'Allegato CC della Direttiva EN 50636-2- 91)
A-weighted sound pressure level at operator's position	Niveau de pression sonore pondéré A au niveau de l'opérateur	A-bewerteter Schalldruckpegel an der Position des Benutzers	Nivel de presión sonora ponderado A en la posición del operario	Livello di pressione sonora ponderata A alla posizione dell'operatore
Uncertainty of measurement	Incertitude de la mesure	Unsicherheit der Messung	Incetidumbre de medición	Incertezza della misurazione
A-weighted sound power level	Niveau de puissance sonore pondéré-A	A-bewerteter Schalleistungspegel	Nivel de potencia acústica ponderada en A	Livello di potenza sonora pesato A
Uncertainty of measurement	Incertitude de la mesure	Unsicherheit der Messung	Incetidumbre de medición	Incertezza della misurazione
Weight	Poids	Gewicht	Peso	Peso

Replacement part	Pièces de rechange	Ersatzteile	Piezas de repuesto	Parti di ricambio
1.5 mm complete spool	Bobine complète 1,5 mm	1,5 mm Komplettspule	Bobina completa de 1,5 mm	Bobina completa da 1,5 mm



Nederlands	Português	Dansk	Svenska	
Productgegevens	Características do aparelho	Produktspecifikationer	Produktspecifikationer	
Elektrische lijntrimmer	Aparador Eléctrico	Elektrisk trådtrimmer	Elektrisk Gråstrimmer	
Model	Modelo	Model	Modell	RLT8038
Vermogen	Potência nominal	Strøm	Effekt	800 W
Toegekende spanning	Tensão nominal	Mærkespænding	Spänning	230V ~ 50Hz
Snelheid zonder lading	Velocidade sem carga	Tomgangshastighed	Hastighet utan belastning	7100 min ⁻¹
Maailjindiameter	Cortar o diâmetro da linha	Klippetrådsdiameter	Klipprådens diameter	1.5 mm
Snijcapaciteit	Capacidade de corte	Skærekapacitet	Trimningskapacitet	38 mm
UK Lengte stroomsnoer	UK Comprimento do cabo de alimentação	UK Strømforsyningskablets længde	UK Strømkabelns længd	≥ 6 m
VDE Lengte stroomsnoer	VDE Comprimento do cabo de alimentação	VDE Strømforsyningskablets længde	VDE Strømkabelns längd	≤ 0.5 m
Trillingsniveau (in overeenstemming met bijlage BB van EN 50636-2-91)	Nível de vibração (em conformidade com o Anexo BB de EN 50636-2-91)	Vibrationsniveau (iht. bilag BB til EN 50636-2-91)	Vibrationsnivå (enligt Annex BB i EN 50636-2-91)	
Achterste handvat	Pega traseira	Baghåndtag	Bakre handtag	3.6 m/s ²
Voorste handvat	Pega frontal	Forhåndtag	Främre handtag	1.7 m/s ²
Onzekerheid bij meting	Incerteza de medições	Målingsusikkerhed	Osäkerhet i mätningar	1.5m/s ²
Geluidsemissieniveau (in overeenstemming met bijlage CC van EN 50636-2-91)	Nível de emissão de ruído (em conformidade com o Anexo CC de EN 50636-2-91)	Støjemissionsniveau (iht. bilag CC til EN 50636-2-91)	Bullerutsläppsnivå (enligt Annex CC i EN 50636-2-91)	
A-gewogen geluidsdrukniveau bij positie van gebruiker	Nível de pressão sonora ponderada A na posição do operador	A-vægtet lydtryksniveau ved operatørens position	A-viktad ljudtrycksnivå vid operatörsplats	84.0 dB(A)
Onzekerheid bij meting	Incerteza de medições	Målingsusikkerhed	Osäkerhet i mätningar	2.5 dB
A-gewogen geluidsniveau	Nível de potência sonora ponderada A	A-vægtet lydeffektniveau	A-vägd ljudeffektsnivå	93.8 dB(A)
Onzekerheid bij meting	Incerteza de medições	Målingsusikkerhed	Osäkerhet i mätningar	1.7 dB
Peso	Gewicht	Vikt	Vægt	4.6 kg

Vervangonderdelen	Peças de substituição	Reserve dele	Utbytesdelar	
1,5 mm volledige spoel	Bobina completa de 1,5 mm	1,5 mm komplet spole	Full spole, 1,5 mm	RAC120

Suomi	Norsk	Русский	Polski
Tuotteen tekniset tiedot	Produktspesifikasjoner	Характеристики изделия	Parametry techniczne
Sähkökäyttöinen siimatrimmeri	Elektrisk snorklipper	Электрический струнный подрезчик	Elektryczna podkaszarka żyłkowa
Malli	Modell	Модель	Model
Moottoriteho	Oppgitt ytelse	Номинальная сила	Moc znamionowa
Nimellisjännite	Nominell spenning	Номинальное напряжение	Napięcie znamionowe
Nopeus ilman kuormaa	Tomgangshastighet	Холостая скорость	Prędkość obrotowa bez obciążenia
Leikkuusiiman halkaisija	Diameter på klippesnoren	Диаметр режущей струны	Średnica żyłki tnącej
Leikkauskapasiteetti	Klippkapasitet	Сокращение вместимости	Szerokość cięcia
UK Virtajohdon pituus	UK Strømkabellengde	UK Длина шнура питания	UK Długość przewodu zasilającego
VDE Virtajohdon pituus	VDE Strømkabellengde	VDE Длина шнура питания	VDE Długość przewodu zasilającego
Tärinätao (standardin EN 50636-2-91 liitteen BB mukaisesti)	Vibrasjonsnivå (iht. tillegg BB i EN 50636-2-91)	Уровень вибрации (в соответствии с Приложением ВВ стандарта EN 50636-2-91)	Poziom wibracji (zgodnie z aneksem BB normy EN 50636-2-91)
Takakädensija	Bakre håndtak	Задняя ручка	Tylny uchwyt
Etukädensija	Fremre håndtak	Передняя ручка	Przedni uchwyt
Mittausten epätarkkuus	Usikkerhet ved måling	Погрешность измерения	Nie pewność pomiaru
Melutaso (standardin EN 50636-2- 91 liitteen CC mukaisesti)	Støyutslipnivå (iht. tillegg CC i EN 50636-2- 91)	Уровень шума (в соответствии с Приложением СС стандарта EN 50636-2- 91)	Poziom emisji hałas (zgodnie z aneksem CC normy EN 50636-2- 91)
A-painotettu käyttäjään kohdistuva äänenpainetaso	Støynivåvekting ved operatørens posisjon	Амплитудно- взвешенный уровень звукового давления в рабочем месте оператора	Poziom ciśnienia akustycznego w pozycji operatora
Mittausten epätarkkuus	Usikkerhet ved måling	Погрешность измерения	Nie pewność pomiaru
A-painotettu äänenteho	A-vektet lydeffektnivå	Уровень А-взвешенной звуковой мощности	A-ważony poziom natężenia hałas
Mittausten epätarkkuus	Usikkerhet ved måling	Погрешность измерения	Nie pewność pomiaru
Vekt	Paino	Мнотность	Greutate

Varaosat	Erstatningsdeler	Запасные части	Części zamienne
1,5 mm:n täysi kela	1,5 mm fullstendig spole	Катушка в сборе 1,5 мм	Kompletna szpula z żyłką 1,5 mm

Čeština	Magyar	Română	Latviski	
Technické údaje produktu	Termék műszaki adatai	Specificațiile produsului	Produkta specifikācijas	
Elektrické zarovňovací nůžky	Elektromos szegélynyíró	Motocoasă electrică cu fir	Elektriskrais auklas trimmeris	
Model	Típus	Model	Modelis	RLT8038
Jmenovitý výkon	Névleges teljesítmény	Putere nominală	Nominālā jauda	800 W
Jmenovité napětí	Névleges feszültség	Tensiunea nominală	Nominālais spriegums	230V ~ 50Hz
Rychlost naprázdno	Üresjárati fordulatszám	Viteză fără sarcină	Greitis be apkrovimo	7100 min ⁻¹
Průměr záběru	Vágószál átmérő	Diametru fir de tăiere	Griezējvada diametrs	1.5 mm
Řezací kapacita	Vágási teljesítmény	Lungimea de tăiere	Griešanas dziļums	38 mm
UK Délka napájecího kabelu	UK Tápkábel hossza	UK Lungime cablu de alimentare	UK Strāvas vada garums	≥ 6 m
VDE Délka napájecího kabelu	VDE Tápkábel hossza	VDE Lungime cablu de alimentare	VDE Strāvas vada garums	≤ 0.5 m
Úroveň vibrací (v souladu s přílohou BB normy EN 50636-2-91)	Vibrációs szint (az EN 50636-2-91 BB függeléke szerint)	Nivel de vibrație (în conformitate cu Anexa BB a EN50636-2-91)	Vibrācijas līmenis (saskaņā ar direktīvas EN 50636-2-91 BB pielikumu)	
Zadní rukojeť	Hátsó fogantyú	Mânerul principal	Aizmugurējais rokturis	3.6 m/s ²
Přední rukojeť	Elülső fogantyú	Mâner anterior	Priekšējais rokturis	1.7 m/s ²
Nejistota měření	Mérés bizonytalansága	Incertitudine a măsurării.	Mērījuma mainīgums	1.5m/s ²
Hladina emise hluku (v souladu s přílohou CC normy EN 50636-2-91)	Hangkibocsátási szint (az EN 50636-2-91 CC függeléke szerint)	Nivel emisie zgomot (în conformitate cu Anexa CC a EN 50636-2-91)	Trokšņu emisijas līmenis (saskaņā ar direktīvas EN 50636-2-91 CC pielikumu)	
Hladina akustického tlaku vážená funkcií A v poloze obsluhy	A-súlyozott hangnyomásszint a kezelő helyén	Un nivel de presiune al sunetului mai tare la poziția operatorului.	Lietotāja pozīcijā ir ar A novērtēts skaņas spiediena līmenis.	84.0 dB(A)
Nejistota měření	Mérés bizonytalansága	Incertitudine a măsurării.	Mērījuma mainīgums	2.5 dB
Hladina akustického výkonu vážená funkcií A	A-súlyozott hangteljesítményszint	Nivel de putere acustică ponderată A	A-līmeņa skaņas jaudas līmenis	93.8 dB(A)
Nejistota měření	Mérés bizonytalansága	Incertitudine a măsurării.	Mērījuma mainīgums	1.7 dB
Waga	Bec	Tömeg	Teža	4.6 kg

Náhradní díly	Cserealkatrészek	Piese de schimb	Rezerves daļas	
1,5 mm celá cívka	1,5 mm-es teljes orsó	Cap tăietor (mosor) complet cu fir de 1,5 mm	1,5 mm spoļe pilnā komplektā	RAC120

Lietuviškai	Eesti	Hrvatski	Slovensko
Gaminio techninės savybės	Toote tehnilised andmed	Specifikacije proizvoda	Specifikacije izdelka
Elektrinė juostinė žoliapjovė	Elektriline jöhvtrimmer	Električni trimmer	Električna nitna kosilnica
Modelis	Mudel	Model	Model
Nominalus galingumas	Nimivõimsus	Nazivna snaga	Omejena moč
Nominali įtampa	Nimipinge	Nazivni napon	Nazivna napetost
Greitis be apkrovimo	Tühikäigukiirus	Brzina bez opterećenja	Hitrost neobremenjenega motorja
Pjovimo linijos diametras	Trimmerijöhvi läbimõõt	Promjer flaksa	Premer rezalne nitke
Pjovimo talpa	Lõikevõimsus	Duljina rezanja	Kapaciteta rezanja
UK Maitinimo laido ilgis	UK Toitejuhtme pikkus	UK Duljina kabela za napajanje	UK Dolžina napajalnega kabla
VDE Maitinimo laido ilgis	VDE Toitejuhtme pikkus	VDE Duljina kabela za napajanje	VDE Dolžina napajalnega kabla
Vibracijos lygis (pagal EN 50636-2-91 standarto BB priedą)	Vibratsioonitase (vastavalt standardi EN 50636-2-91 lisale BB)	Razina vibracija (u skladu s Dodatkom BB EN 50636-2-91)	Nivo vibracij (v skladu z dodatkom BB standarda EN 50636-2-91)
Galinė rankena	Tagumine käepide	Stražnja ručica	Zadnji ročaj
Priekinė rankena	Eesmine käepide	Prednja ručica	Sprednji ročaj
Matmenų paklaida	Mõõtmismääramatus	Neodređenost mjerenja	Negotovost meritev
Skleidžiamo triukšmo lygis (pagal EN 50636-2-91 standarto CC priedą)	Vibratsioonitase (vastavalt standardi EN 50636-2-91 lisale CC)	Razina emisija buke (u skladu s Dodatkom CC EN 50636-2-91)	Raven emisij hrupa (v skladu z dodatkom CC standarda EN 50636-2-91)
A lygio svoris garso slėgis operatoriaus padėtyje.	A-kaalutud müraemissiooni rõhu tase operaatori töökohal	A-ponderirana razina zvučnog tlaka u položaju operatera	A-izmerjena raven zvočnega tlaka pri položaju upravljavca
Matmenų paklaida	Mõõtmismääramatus	Neodređenost mjerenja	Negotovost meritev
A svertinis garso galios lygis	A-kaalutud helivõimsuse tase	Ponderirana razina zvučne snage	A-izmerjena raven zvočne moči
Matmenų paklaida	Mõõtmismääramatus	Neodređenost mjerenja	Negotovost meritev
Težina	Mass	Masé	Svars

Atsarginės detalės	Asendusosad	Zamjena dijelova	Nadomestni deli
1,5 mm sukompletuota ritė	1,5 mm poolikomplekt	Cijeli kalem, 1,5 mm	1,5-milimetrski popolni motek



Slovenčina	България	Українська	Turce	
Špecifikácie produktu	Технически характеристики	Технічні характеристики пристрою	Ürün teknik özellikleri	
Elektrický drôtový orezávač	Електрически тример с найлоново влакно	Електричного тримера	Elektrikli Ot Biçme Makinesi	
Modelis	Модел	Модель	Model	RLT8038
Menovitý výkon	Номинална мощност	Номинальна потужність	Nominal güç	800 W
Menovité napätie	Номинален волтаж	Номинальна напруга	Nominal voltaj	230V ~ 50Hz
Rýchlosť naprázdno	Скорост в ненатоварен режим	Швидкість без навантаження	Yüksüz hız	7100 min ⁻¹
Priemer rezného drôtu	Діаметр на режечото влакно	Діаметр ріжучої лінії	Kesme hattı çapı	1.5 mm
Kapacita rezania	Капацитет на рязане	Ріжуча здатність	Kesme Kapasitesi	38 mm
UK Dĺžka napájacieho kábla	UK Дължина на захранващия кабел	UK Довжина шнура живлення	BK güç kablosu uzunluğu	≥ 6 m
VDE Dĺžka napájacieho kábla	VDE Дължина на захранващия кабел	VDE Довжина шнура живлення	VDE güç kablosu uzunluğu	≤ 0.5 m
Úroveň vibrácií (v súlade s Dodatkom BB v EN 50636-2-91)	Ниво на вибрациите (в съответствие с приложение BB на EN 50636-2-91)	Рівень вібрації (відповідно до EN 50636-2-91 Annex BB)	Titreşim seviyesi (EN 50636-2-91, Ek BB uyarınca)	
Zadná rukoväť	Задна ръкохватка	Задня ручка	Arka Kulp	3.6 m/s ²
Predná rukoväť	Предна ръкохватка	Передня ручка	Ön Kulp	1.7 m/s ²
Nesepofahlivosť meraní	Несигурност на измерването	Невизначеність вимірювання	Ölçüm bilinmiyor	1.5m/s ²
Úroveň emisii hluku (v súlade s Dodatkom CC v EN 50636-2-91)	Ниво на шумовите емисии (в съответствие с приложение CC на EN 50636-2-91)	Рівень шуму (відповідно до EN 50636-2-91 Annex CC)	Gürültü emisyon seviyesi (EN 50636-2-91 Ek CC uyarınca)	
Vážená A hladina akustického tlaku na pozícii obsluhujúcej osoby.	Равнище А на нивото на шумовото налягане на мястото на оператора.	А-зважений рівень звукової потужності на робочому місці оператора.	Kullanıcı pozisyonundaki A ağırlıklı ses basıncı seviyesi	84.0 dB(A)
Nesepofahlivosť meraní	Несигурност на измерването	Невизначеність вимірювання	Ölçüm bilinmiyor	2.5 dB
Vážená A hladina akustického výkonu	Ниво на силата на шума с равнище А	А-зважений рівень звукової потужності	A ağırlıklı ses gücü seviyesi	93.8 dB(A)
Nesepofahlivosť meraní	Несигурност на измерването	Невизначеність вимірювання	Ölçüm bilinmiyor	1.7 dB
Hmotnosť	Тегло	Вага	Ağırlık	4.6 kg

Náhradné diely	Резервни части	Запасні частини	Yedek parça	
1,5 mm cievka kompletná	Окомплектована макара 1,5 mm	Повна котушка 1,5 mm	1,5 mm tam daire	RAC120



EN RYOBI® WARRANTY APPLICATION CONDITIONS

In addition to any statutory rights resulting from the purchase, this product is covered by a warranty as stated below.

- The warranty period is 24 months for consumers and commences on the date when the product was purchased. This date has to be documented by an invoice or other proof of purchase. The product is designed and dedicated to consumer and private use only. So there is no warranty provided in case of professional or commercial use. This warranty applies only on new products.
- There is a possibility to extend for a part of the range of power tools (AC/DC) the warranty period over the period described above using the registration on the www.ryobitools.eu website. The eligibility of products for extended warranty is clearly displayed in stores and / or on packaging and is contained within the product documentation. The end user is required to register his/her newly-acquired products online within 30 days from the date of purchase. The end user may register for the extended warranty in his/her country of residence if listed on the online registration form where this option is valid. Furthermore, end users must give their consent to the storage of their personal data that is required to be entered online. They must also accept the terms and conditions. The registration confirmation receipt, which is sent out by e-mail, and the original invoice showing the date of purchase will serve as proof of the extended warranty.
- The warranty covers all defects of the product during the warranty period due to faults in workmanship or material at the purchase date. The warranty is limited to repair and/or replacement and does not include any other obligations including but not limited to incidental or consequential damages. The warranty is not valid if the product has been misused, used contrary to the instruction manual, or has been incorrectly connected to a power supply. This warranty does not apply to:
 - any damage to the product that is the result of improper or lack of maintenance
 - any product that has been altered or modified
 - any product where original identification (trade mark, serial number) markings have been defaced, altered or removed
 - any damage caused by non-observance of the instruction manual
 - any product not displaying the CE approval mark on the rating plate
 - any product that has been attempted to be repaired by a non-authorised warranty service centre or without prior authorisation by Techtronic Industries
 - any product connected to improper power supply (amps, voltage, frequency)
 - any product used with inappropriate fuel mixture (fuel, oil, ratio of oil/ fuel mixture)
 - any damage caused by external influences (water, chemical, physical, shocks) or foreign substances
 - normal wear and tear spare parts
 - inappropriate use, overloading of the tool
 - use of non-approved accessories or parts
 - Accessories provided with the tool or purchased separately including but not limited to blades, saw chains, cutting lines, etc.
 - Any periodic adjustments to or maintenance cleaning of carburettors
 - Components (parts and accessories) subject to natural wear and tear, including but not limited to bump knobs, drive belts, clutch, blades of hedge trimmers or lawn mowers, harness, cable throttle, carbon brushes, power cord, tines, felt washers, hitch pins, blower fans, blower and vacuum tubes, vacuum bag and straps, guide bars, saw chains, hoses, connector fittings, spray nozzles, wheels, spray wands, inner reels, outer spools, cutting lines, spark plugs, air filters, gas filters, mulching blades, etc.
- For servicing, the product must be sent or presented to a RYOBI authorised service station listed for each country in the following list of service station addresses. In some countries your local RYOBI dealer undertakes to send the product to the RYOBI service organisation. When sending a product to a RYOBI service station, the product should be safely packed without any dangerous contents such as petrol, marked with sender's address and accompanied by a short description of the fault.
- A repair / replacement under this warranty is free of charge. It does not constitute an extension or a new start of the warranty period. Exchanged parts or products become our property. In some countries delivery charges or postage will have to be paid by the sender. Your statutory rights arising from the purchase of the product remain unaffected.
- This warranty is valid in the European Community, Switzerland, Iceland, Norway, Liechtenstein, Turkey and Russia. Outside these areas, please contact your authorised RYOBI dealer to determine if another warranty applies.

AUTHORISED SERVICE CENTRE

To find an authorised service centre near you, visit <http://en.ryobitools.eu/header/service-and-support/service-agents>.

FR RYOBI® CONDITIONS D'APPLICATION DE LA GARANTIE

En plus des droits statutaires liés à l'achat, ce produit est couvert par une garantie telle que décrite ci-dessous.

- La durée de la garantie accordée au consommateur est de 24 mois à partir de la date d'achat. Cette date doit être authentifiée par une facture ou tout autre preuve d'achat. Le produit a été conçu en vue d'une utilisation strictement privée. Aucune garantie ne s'applique donc en cas d'utilisation professionnelle ou commerciale.
- Il existe pour une partie de la gamme « jardin » (AC/DC), une possibilité d'étendre la période de garantie au-delà de la période précédemment décrite en utilisant le formulaire d'enregistrement présent sur le site Internet www.ryobitools.eu. L'éligibilité d'un outil est clairement affichée dans les points de vente et/ou sur l'emballage et la documentation. L'utilisateur final doit enregistrer son/ses outil(s) nouvellement acheté(s) en ligne dans les 30 jours qui suivent la date d'achat. L'utilisateur a la possibilité de s'enregistrer pour l'extension de garantie dans son pays de résidence si celui-ci est listé dans le formulaire d'enregistrement en ligne où cette option est validée. L'utilisateur final doit donner son consentement pour l'enregistrement des données requises pour accéder au site et doit accepter les termes et conditions. La confirmation d'enregistrement, envoyée par courrier électronique, ainsi que la facture originale mentionnant la date d'achat serviront de preuve de l'extension de garantie.
- La garantie couvre pendant la période de garantie les défauts des produits liés à la fabrication et aux matériaux à la date d'achat. La garantie est limitée à la réparation et/ou au remplacement et n'inclut aucune autre obligation, tel que, mais sans s'y limiter, les dommages accessoires ou indirects. La garantie est non valable en cas de mauvaise utilisation du produit, d'utilisation contraire aux instructions du mode d'emploi, ou en cas de branchement incorrect. Cette garantie ne s'applique pas pour :
 - tout dommage au produit résultant d'un mauvais entretien
 - tout produit ayant été altéré ou modifié
 - tout produit dont les marquages originaux d'identification (marque, numéro de série) ont été dégradés, altérés ou retirés
 - tout dommage causé par le non-respect des instructions du mode d'emploi
 - tout produit non CE
 - tout produit ayant subi une tentative de réparation par du personnel non qualifié ou sans autorisation préalable de Techtronic Industries
 - tout produit raccordé à une alimentation secteur non conforme (ampérage, voltage, fréquence)
 - tout produit utilisé avec un mélange inapproprié (essence, huile, pourcentage d'huile)
 - tout dommage causé par des influences extérieures (chimiques, physiques, chocs) ou par des substances étrangères
 - l'usure normale des pièces consommables
 - une utilisation inappropriée, une surcharge de l'outil
 - l'utilisation de pièces ou accessoires non agréés
 - Tout réglage périodique ou tout nettoyage de maintenance des carburateurs
 - les composants (pièces et accessoires) sujets à une usure naturelle, incluant de façon non exhaustive les têtes de fil à frapper, les courroies de transmission, les embrayages, les lames des taille-haies ou des tondeuses à gazon, les harnais, les câbles d'accélérateur, les charbons, les cordons d'alimentation, les fraises de cultivateurs, les rondelles feutre, les goupilles de fraise, les turbines et lame de broyage des souffleurs, les tubes de soufflage et d'aspiration des souffleurs, les sacs de souffleurs et leurs lanières, les guides-chaîne, les chaînes de tronçonneuses, les tuyaux et raccords, les buses et lances de nettoyeurs haute pression, les roues, les raccords de fil des têtes de coupe, les têtes de coupe, le fil de coupe, les bougies d'allumage, les filtres à air, les filtres à essence, etc.
- Si le produit doit être réparé, envoyez-le à un service après-vente agréé RYOBI dont vous trouverez ci-dessous la liste pour chaque pays. Dans certains pays, votre revendeur RYOBI se chargera d'envoyer le produit à un centre de réparation RYOBI. Lorsque vous envoyez un produit à un service après-vente RYOBI, celui-ci doit être correctement emballé, sans contenir aucun produit dangereux tel que de l'essence, et vous devez indiquer votre adresse ainsi qu'une courte description du problème.
- Une réparation / un remplacement sous garantie est gratuit(e). Ceci ne constituera pas une extension de garantie ni un nouveau départ de la période de garantie. Les pièces ou les outils remplacés deviendront notre propriété. Dans certains pays, les frais de port devront être assumés par l'expéditeur. Vos droits statutaires restent inchangés.
- Cette garantie est valable au sein de l'Europe, de la Suisse, de l'Islande, de la Norvège, du Liechtenstein, de la Turquie, de la Russie. En dehors de ces zones, veuillez contacter votre distributeur agréé RYOBI pour déterminer si une autre garantie s'applique.

SERVICE APRÈS-VENTE AGRÉÉ

Pour trouver le service après-vente agréé le plus proche, rendez-vous sur <http://fr.ryobitools.eu/header/service-and-support/service-agents>

DE RYOBI® GARANTIEBEDINGUNGEN

Zusätzlich zu den gesetzlichen Rechten aus dem Kauf gilt für dieses Produkt die nachstehend aufgeführte Garantie.

- Der Garantiezeitraum beträgt für Verbraucher 24 Monate und beginnt mit dem Datum des Kaufs. Dieses Datum muss durch eine Rechnung oder einen anderen Kaufbeleg dokumentiert werden. Dieses Produkt wurde ausschließlich zur privaten Nutzung durch Verbraucher entwickelt. Für den Fall einer professionellen bzw. kommerziellen Nutzung besteht daher keine Garantie.
- Es besteht die Möglichkeit, für einen Teil des Sortiments der Gartenwerkzeuge (AC/DC) den Garantiezeitraum über den oben genannten Zeitraum hinaus zu verlängern, indem der Verbraucher die Registrierung auf der Website www.ryobitools.eu durchführt. Die Berechtigung der Werkzeuge für die Garantieverlängerung ist deutlich im Geschäft und/oder auf der Verpackung beschrieben und in der Produktdokumentation erwähnt. Der Verbraucher muss das neu erworbene Gerät online innerhalb von 30 Tagen ab dem Kaufdatum registrieren. Der Verbraucher kann das Gerät zwecks Garantieverlängerung in seinem Wohnsitzland/Heimatland registrieren, wenn dieses Land auf dem Online-Registrierungsformular aufgeführt und die Option gültig ist. Darüber hinaus muss der Verbraucher seine Zustimmung zur Speicherung der Daten geben, die online eingegeben werden müssen, und er muss die allgemeinen Geschäftsbedingungen akzeptieren. Die Bestätigung der Registrierung, die per E-Mail versandt wird, und die Originalrechnung mit dem Kaufdatum gelten als Beleg für die Garantieverlängerung.
- Die Garantie deckt alle Defekte des Geräts während des Garantiezeitraums ab, die auf zum Zeitpunkt des Kaufs bestehende Verarbeitungs- oder Materialfehler zurückzuführen sind. Die Garantie beschränkt sich auf Reparatur und/oder Ersatz und beinhaltet keine anderen Verpflichtungen, insbesondere keinen Schadenersatz für Folge- oder Nebenschäden. Die Garantie gilt nicht, wenn das Gerät fehlerhaft eingesetzt wurde, gegensätzlich zur Bedienungsanleitung eingesetzt wurde oder falsch angeschlossen wurde. Die Garantie gilt nicht für Folgendes:
 - Schäden am Gerät, die auf unkorrekte Wartung zurückzuführen sind
 - Geräte, an denen Veränderungen vorgenommen wurden
 - Produkte, bei denen die ursprüngliche Identifizierung (Handelsmarke, Seriennummer) unleserlich gemacht, verändert oder entfernt wurde
 - Schäden durch Nichtbeachtung der Bedienungsanleitung
 - nicht-CE-zertifizierte Geräte
 - Geräte, an denen durch nicht-qualifizierte Personen oder ohne vorherige Genehmigung von Techtronic Industries Reparaturversuche vorgenommen wurden
 - Geräte, die an unkorrekte Energiequellen (Ampere, Volt, Frequenz) angeschlossen wurden
 - Geräte, die mit einer fehlerhaften Treibstoffmischung (Treibstoff, Öl, Ölanteil) betrieben wurden
 - Schäden durch äußere Einflüsse (chemisch, physisch, Stöße) oder Fremdstoffe
 - normaler Verschleiß von Ersatzteilen
 - unangemessene Nutzung, Überlastung des Geräts
 - Nutzung nicht genehmigter Zubehörteile oder Ersatzteile
 - Regelmäßige Einstellung oder Wartungsreinigung des Vergasers
 - Komponenten (Ersatzteile und Zubehörteile), die natürlicher Verschleiß unterliegen, einschließlich, aber nicht begrenzt auf Service- und Wartungssets, Kohlebürsten, Lager, Spannvorrichtungen, SDS-Bohreraufnahme Bit-Adapter, Netzkabel, Zusatzhandgriff, Transportkoffer, Schleifplatten, Staubbeutel, Staubabführungen, Filzunterlegscheiben, Bolzen und Federn von Schlagschraubern, einschließlich, aber nicht beschränkt auf Fadenköpfe, Antriebsriemen, Kupplungen, die Klängen von Heckenschere oder Rasenmähern, Kabelstränge, Gaszüge, Zinken, Steckbolzen, Lüfter, Saug- und Gebläserohre oder Düsen, Fangsäcke und Gurte, Führungsschienen, Sägeketten, Schläuche, Verbinder, Sprühdüsen, Räder, Sprühstäbe, innere Rollen, äußere Spulen, Schneidfäden, Zündkerzen, Luftfilter, Benzol-/ Ölfilter, Häcksel-Messer usw.
- Zum Service muss das Gerät zu einer von RYOBI autorisierten Servicestation gebracht oder dorthin gesendet werden. Die Servicestationen für die einzelnen Länder sind in der folgenden Liste aufgeführt. In einigen Ländern sendet Ihr RYOBI-Händler vor Ort das Gerät an das RYOBI-Serviceunternehmen. Beim Einsenden an die RYOBI-Servicestation sollte das Gerät sicher verpackt sein, ohne gefährliche Inhalte wie Benzin, und es sollte mit der Adresse des Absenders und einer kurzen Beschreibung des Fehlers versehen sein.
- Eine Reparatur bzw. ein Ersatz gemäß dieser Garantie ist kostenlos. Hieraus ergibt sich weder eine Garantieverlängerung noch der Beginn eines neuen Garantiezeitraums. Die ausgetauschten Ersatzteile oder Werkzeuge gehen in unser Eigentum über. In einigen Ländern müssen die Zustellgebühren oder die Versandkosten vom Absender gezahlt werden. Ihre gesetzlichen Rechte aus dem Kauf des Geräts bleiben hiervon unberührt.
- Diese Garantie gilt in der Europäischen Union, der Schweiz, Island, Norwegen, Liechtenstein, der Türkei und Russland. Bitte wenden Sie sich außerhalb dieser Gebiete an Ihren autorisierten RYOBI-Händler, um festzustellen, ob eine andere Garantie gilt.

AUTORISIERTER KUNDENDIENST

Besuchen Sie <http://de.ryobitools.eu/header/service-and-support/service-agents>, um einen autorisierten Kundendienst in Ihrer Nähe zu finden.

ES CONDICIONES DE APLICACIÓN DE LA GARANTÍA DE RYOBI®

Además de cualquier derecho legal derivado de la compra, este producto está cubierto por una garantía que se indica a continuación.

- El periodo de garantía es de 24 meses para consumidores y comienza en la fecha en que se comprara el producto. Dicha fecha debe documentarse con una factura u otro comprobante de compra. El producto está diseñado y concebido únicamente para el uso privado del consumidor. Por lo tanto, no se ofrece garantía en caso de uso profesional o comercial.
- Existe la posibilidad de ampliar el periodo de garantía respecto a una parte de la gama de herramientas de jardinería (CA/CC) durante el periodo descrito más arriba y mediante el registro en el sitio web www.ryobitools.eu. La elegibilidad de las herramientas para que se amplie el periodo de garantía se muestra claramente en las tiendas o en el embalaje y está incluida en la documentación del producto. El usuario final tiene que registrar en línea sus herramientas recientemente adquiridas en un plazo de 30 días a partir de la fecha de compra. El usuario final podrá registrarse para obtener la garantía ampliada en su país de residencia si este aparece en la lista del formulario de registro en línea cuando esta opción sea válida. Además, los usuarios finales deberán dar su consentimiento al almacenamiento de los datos necesarios para el acceso en línea y tienen que aceptar los términos y condiciones. El recibo de confirmación de registro, que se envía por correo electrónico, y la factura original que muestra la fecha de compra servirán como comprobante para la garantía ampliada.
- La garantía cubre todos los defectos del producto durante el periodo de garantía debido a fallos de mano de obra o material en la fecha de compra. La garantía se limita a la reparación o sustitución y no incluye ninguna otra obligación como, por ejemplo, daños accidentales o consecuentes. La garantía no es válida si se ha usado mal el producto, se ha usado contraviniendo el manual de instrucciones o se ha conectado de forma incorrecta. Esta garantía no es aplicable a:
 - ningún daño en el producto que sea consecuencia de un mantenimiento inadecuado
 - ningún producto que haya sido alterado o modificado
 - ningún producto en el que los marcados de identificación originales (marca comercial, número de serie) se hayan borrado, modificado o eliminado
 - ningún daño provocado por no seguir el manual de instrucciones
 - ningún producto que no sea CE
 - ningún producto que haya sufrido un intento de reparación por parte de un profesional no cualificado o sin la autorización previa de Techtronic Industries.
 - ningún producto conectado a un suministro eléctrico inadecuado (amperios, voltaje, frecuencia)
 - ningún producto usado con una mezcla de combustible inadecuada (combustible, aceite, porcentaje de aceite)
 - ningún daño causado por influencias externas (químicas, físicas, impactos) o sustancias extrañas
 - desgaste normal de piezas de repuesto
 - uso inadecuado, sobrecarga de la herramienta
 - uso de accesorios o piezas no aprobados
 - Cualquier ajuste periódico o limpieza de mantenimiento de los carburadores
 - Componentes (piezas y accesorios) sujetos al desgaste natural incluyendo, entre otros, pomos de golpes, correas de transmisión, embragues, cuchillas de cortasetos o cortacésped, arneses, cable del acelerador, escobillas de carbono, cables eléctricos, púas, discos de filtro, pasadores de enganche, ventiladores de soplador, tubos de aspiración y de soplado, bolsas y correas de aspiración, barras guías, cadenas de sierra, mangueras, herrajes de conectores, boquillas pulverizadoras, ruedas, lanzas pulverizadoras, bobinas interiores, carretes exteriores, líneas de corte, bujías, filtros de aire, filtros de gas, cuchillas de compostaje, etc.
- Para su mantenimiento, el producto debe enviarse o presentarse a una estación de servicio de RYOBI autorizada que figure en la siguiente lista de direcciones de estaciones de servicio por países. En algunos países, su distribuidor RYOBI local se responsabiliza de enviar el producto a la compañía de servicio de RYOBI. Cuando se envíe un producto a una estación de servicio de RYOBI, este debe estar empaquetado de forma segura sin contenidos peligrosos como gasolina, marcado con la dirección del remitente y acompañado de una breve descripción del fallo.
- Una reparación / sustitución con esta garantía es gratuita. No constituye una ampliación ni un nuevo comienzo del periodo de garantía. Las piezas o herramientas intercambiadas pasan a ser de nuestra propiedad. En algunos países, los gastos de envío o correo tendrá que pagarlos el remitente. Sus derechos legales derivados de esta compra de la herramienta no se verán afectados.
- Esta garantía es válida en la Unión Europea, Suiza, Islandia, Noruega, Liechtenstein, Turquía y Rusia. Fuera de estas zonas, póngase en contacto con su distribuidor de RYOBI autorizado para determinar si es aplicable otra garantía.

SERVICIO TÉCNICO AUTORIZADO

Para encontrar el servicio técnico autorizado más cercano, visite <http://es.ryobitools.eu/header/service-and-support/service-agents>.



IT CONDIZIONI DI VALIDITÀ DELLA GARANZIA RYOBI®

In aggiunta ai diritti di legge risultanti dall'acquisto, il prodotto è coperto dalla garanzia sotto descritta.

- Il periodo di garanzia è di 24 mesi per i consumatori, a decorrere dalla data di acquisto del prodotto. La data deve essere documentata da una fattura o altra prova d'acquisto. Il prodotto è progettato e destinato solo all'utilizzo privato dei consumatori. Pertanto non viene fornita alcuna garanzia in caso di uso professionale o commerciale.
- Per una serie di utensili da giardino (CA/CC) è possibile prolungare il periodo di garanzia oltre quello descritto, registrandosi sul sito web www.ryobitools.eu. Gli utensili per i quali è possibile prolungare il periodo di garanzia sono chiaramente indicati nei negozi e/o sulle confezioni e nella documentazione dei prodotti. L'utente deve registrare online l'utensile acquistato entro 30 giorni dalla data di acquisto. L'utente può registrarsi per la garanzia prolungata nel proprio paese di residenza, se questo è elencato nel modulo di registrazione online dove questa opzione sia valida. Inoltre gli utenti devono fornire il proprio consenso alla conservazione dei dati da immettere online e devono accettare le condizioni generali. La conferma di registrazione, inviata tramite e-mail, e la fattura originale indicante la data di acquisto, costituiscono la prova della garanzia prolungata.
- La garanzia copre tutti i difetti del prodotto durante il periodo di garanzia, risultanti da manodopera o materiali alla data di acquisto. La garanzia è limitata alla riparazione e/o sostituzione e non include alcun altro obbligo quali, a mero titolo esemplificativo, i danni incidentali o consequenziali. La garanzia non è valida se il prodotto è stato usato scorrettamente, in modo contrario al manuale di istruzioni o se è stato collegato in modo errato. La garanzia non è valida per:
 - qualsiasi danno al prodotto dovuto a manutenzione errata;
 - qualsiasi prodotto che sia stato alterato o modificato;
 - qualsiasi prodotto le cui marcature di identificazione originali (marchi di fabbrica, numero di serie) siano state cancellate, alterate o rimosse;
 - qualsiasi danno causato dalla non osservanza delle istruzioni del manuale;
 - qualsiasi prodotto privo di omologazione CE;
 - qualsiasi prodotto che sia stato sottoposto a un tentativo di riparazione da parte di un professionista non qualificato oppure senza la previa autorizzazione di Techtronic Industries;
 - qualsiasi prodotto collegato a un'alimentazione errata (per ampere, tensione, frequenza);
 - qualsiasi prodotto usato con una miscela di carburante errata (carburante, olio, percentuale di olio);
 - qualsiasi danno causato da influenze esterne (chimiche, fisiche, urti) o sostanze estranee;
 - la normale usura delle parti di ricambio;
 - uso inappropriato, sovraccarico dell'utensile;
 - uso di accessori o parti non omologate;
 - qualsiasi regolazione periodica o pulizia di manutenzione dei carburatori;
 - componenti (parti e accessori) soggetti alla normale usura compresi, a mero titolo esemplificativo, testine a filo, cinghie di trasmissione, frizioni, lame di tagliaspie o tagliaerba, imbragature, cavi di accelerazione, spazzole al carbonio, cavi di alimentazione, denti, rondelle di feltro, perni di aggancio, ventole dei soffiatori, tubi di soffiatori e aspiratori, sacchetti e cinghie per aspirapolvere, barre guida, catene per seghe, tubi, raccordi di connessione, ugelli di spruzzo, ruote, erogatori, bobine interne ed esterne, linee di taglio, candele, filtri dell'aria, filtri del gas, lame per mulching ecc.
- Per la manutenzione il prodotto dev'essere spedito o portato presso uno dei centri assistenza autorizzati RYOBI elencati per ogni paese nel seguente elenco di indirizzi dei centri. In alcuni paesi il rivenditore locale RYOBI si incarica di inviare il prodotto all'organizzazione di assistenza RYOBI. Quando si invia un prodotto a un centro assistenza RYOBI, imballarlo in modo sicuro senza contenuti pericolosi come la benzina, apporre l'indirizzo del mittente e accompagnarlo da una breve descrizione del guasto.
- La riparazione/sostituzione ai sensi della presente garanzia è gratuita. Non costituisce un prolungamento o un nuovo inizio del periodo di garanzia. Le parti o gli utensili scambiati diventano di nostra proprietà. In alcuni paesi i costi di consegna o di spedizione postale devono essere pagati dal mittente. I diritti di legge derivanti dall'acquisto dell'utensile rimangono inalterati.
- La presente garanzia è valida in Unione Europea, Svizzera, Islanda, Norvegia, Liechtenstein, Turchia e Russia. Al di fuori di tali aree contattare il rivenditore autorizzato RYOBI per sapere se è valida un'altra garanzia.

CENTRO SERVIZI AUTORIZZATO

Per individuare il più vicino centro servizi autorizzato, visitare il sito <http://it.ryobitools.eu/header/service-and-support/service-agents>.

NL RYOBI® GARANTIEVOORWAARDEN

Naast de wettelijke rechten die voortvloeien uit de aankoop, wordt dit product gedekt door een garantie, zoals hieronder staat vermeld.

- De garantietermijn voor consumenten bedraagt 24 maanden en gaat in op de datum waarop het product is gekocht. Deze datum moet worden gedocumenteerd met een factuur of een ander aankoopbewijs. Het product is uitsluitend ontworpen en bedoeld voor persoonlijk gebruik door consumenten. Er wordt dus geen garantie gegeven voor professioneel of commercieel gebruik.
- Voor een deel van ons aanbod van tuingeredschappen (AC/DC) is het mogelijk om de garantietermijn te verlengen over de boven beschreven termijn, met behulp van de website www.ryobitools.eu. De gereedschappen die in aanmerking komen voor de verlenging van de garantietermijn wordt duidelijk weergegeven in winkels en/of verpakkingen en staat beschreven in de productdocumentatie. De eindgebruiker moet zijn/haar nieuw gekochte gereedschappen binnen 30 dagen na aankoop online registreren. De eindgebruiker kan zich registreren voor de verlengde garantietermijn als zijn woonland staat vermeld op het online registratieformulier waar deze optie geldig is. Bovendien moeten eindgebruikers toestemming geven voor de opslag van de gegevens die online ingevuld moeten worden en moeten ze de algemene voorwaarden accepteren. Het ontvangstbewijs van de registratie, dat per e-mail wordt verzonden en de oorspronkelijke factuur met de aankoopdatum vormt het bewijs van de verlengde garantietermijn.
- De garantie dekt tijdens de garantietermijn alle gebreken van het product vanwege defecten in vakmanschap of materiaal op de aankoopdatum. De garantie is beperkt tot reparatie en/of vervanging en bevat geen andere verplichtingen, waaronder maar niet beperkt tot incidentele of gevolgschade. De garantie is niet geldig als het product is misbruikt, in strijd met de gebruiksaanwijzing wordt gebruikt of onjuist is aangesloten. Deze garantie geldt niet voor:
 - alle schade aan het product die het gevolg is van onjuist onderhoud
 - elk product dat is veranderd of aangepast
 - elk product waar de oorspronkelijke identificatie (handelsmerk, serienummer) is beschadigd, gewijzigd of verwijderd
 - alle schade die is veroorzaakt door het niet opvolgen van de gebruiksaanwijzing
 - elk niet-CE-product
 - elk product waar een poging tot reparatie is gedaan door een niet-erkende professional of zonder voorafgaande toestemming door Techtronic Industries.
 - elk product dat is verbonden met een verkeerde voeding (amperage, spanning, frequentie)
 - elk product dat wordt gebruikt met een verkeerd brandstofmengsel (brandstof, olie, oliegehalte)
 - alle schade die is veroorzaakt door externe invloeden (chemisch, fysisch, schokken) of vreemde stoffen
 - normale slijtage van reserveonderdelen
 - ongepast gebruik, overbelasting van het gereedschap
 - gebruik van niet-goedgekeurde accessoires of onderdelen
 - Alle periodieke aanpassingen aan of het onderhoud en reiniging van carburateurs
 - Componenten (onderdelen en accessoires) die onderhevig zijn aan natuurlijke slijtage, waaronder maar niet beperkt tot stookknoppen, aandrijfriemen, koppelingen, messen van hegtrimmers of grasmaaiers, harnas, gaskabel, koolstofborstels, stroom snoeren, tanden, viltringen, koppelingssystemen, blazers, blaas- en zuigbuizen, zuigzakken en riemen, geleidingsstaven, zaagkettingen, slangen, koppelingen, mondstukken, wielen, spuitsokken, binnenhaspels, buitenhaspels, snijdraden, bougies, luchtfilters, gasfilters, maaimessen, etc.
- Voor onderhoud moet het product worden verzonden of gebracht naar een erkend servicestation van RYOBI die voor elk land staan vermeld in de volgende lijst met adressen voor servicestations. In sommige landen zal uw lokale RYOBI-dealer het product verzenden naar de RYOBI-serviceorganisatie. Wanneer u het product naar een servicestation van RYOBI verzendt, moet het product veilig worden verpakt zonder enige gevaarlijke inhoud, zoals benzine, met het adres van de afzender en vergezeld van een korte beschrijving van het defect.
- Een reparatie/vervangende die onder deze garantie valt is gratis. Het vormt geen verlenging of een nieuwe start van de garantietermijn. Verwisselde onderdelen of gereedschappen worden ons eigendom. In sommige landen moeten de verzendkosten door de afzender worden betaald. Uw wettelijke rechten die voortvloeien uit de aankoop van het gereedschap blijven onaangetast.
- Deze garantie is geldig in de Europese Gemeenschap, Zwitserland, IJsland, Noorwegen, Liechtenstein, Turkije en Rusland. Buiten deze gebieden moet u contact opnemen met uw erkende RYOBI-dealer om vast te stellen of er een andere garantie van toepassing is.

GEAUTORISEERD ONDERHOUDSCENTRUM

Om een geautoriseerd onderhoudscentrum in uw buurt te vinden, surf u naar <http://nl.ryobitools.eu/header/service-and-support/service-agents>.



PT CONDIÇÕES DE APLICAÇÃO DA GARANTIA RYOBI®

Para além de quaisquer direitos previstos por lei resultantes da compra, este produto está coberto por uma garantia conforme descrição abaixo.

- O período da garantia é de 24 meses para consumidores particulares e inicia-se na data de compra do produto. Esta data tem de ser documentada por uma factura ou por outra prova de compra. O produto foi concebido para e destina-se apenas a consumidores particulares e uso privado. Assim, não é dada garantia em caso de utilização por profissionais ou uso comercial.
- Para uma parte da gama de ferramentas de jardim (AC/DC) existe a possibilidade de prolongamento do período da garantia para além do período descrito acima, mediante registo no Web site www.ryobitools.eu. A elegibilidade das ferramentas para prolongamento do período da garantia é claramente visível nas lojas e/ou nas embalagens e está contida na documentação do produto. O utilizador final tem de fazer o registo online das suas ferramentas recém-adquiridas no prazo de 30 dias após a data de compra. O utilizador final pode fazer o registo para prolongamento da garantia no seu país de residência, desde que esteja listado no formulário de registo online e para os casos em que esta opção seja válida. Para além disso, os utilizadores finais têm de autorizar o armazenamento dos dados cujo preenchimento lhes for solicitado online e têm de aceitar os termos e as condições. O recibo de confirmação do registo é enviado por e-mail e, em conjunto com a factura original ostentando a data de compra, servirá de prova do prolongamento da garantia.
- A garantia cobre todos os defeitos do produto durante o período da garantia devidos a defeitos de fabrico ou de material à data da compra. A garantia está limitada à reparação e/ou substituição e não inclui quaisquer outras obrigações, incluindo mas não se limitando a, perdas complementares ou indirectas. A garantia não é válida se o produto tiver sido utilizado incorrectamente, utilizado de forma contrária ao Manual de Instruções ou se as respectivas ligações tiverem sido feitas incorrectamente. Esta garantia não se aplica ao seguinte:
 - quaisquer danos ao produto que sejam resultado de manutenção incorrecta
 - qualquer produto que tenha sido alterado ou modificado
 - qualquer produto cujas marcações de identificação de origem (marca comercial, número de série) tiverem sido apagadas, alteradas ou retiradas
 - quaisquer danos causados pelo incumprimento do Manual de Instruções
 - qualquer produto que não seja da Comunidade Europeia
 - qualquer produto ao qual tenha sido feita, ou tentada fazer, uma reparação por outra pessoa que não um profissional habilitado ou sem autorização prévia da Technonic Industries.
 - qualquer produto ligado a uma fonte de alimentação eléctrica incorrecta (Amperes, Voltagem e Frequência)
 - qualquer produto utilizado com uma mistura de combustível incorrecta (combustível, óleo, percentagem de óleo)
 - qualquer dano causado por influências externas (químicas, físicas, impactos) ou substâncias estranhas
 - desgaste e degradação normal de sobresselentes
 - utilização incorrecta, sobrecarga da ferramenta
 - utilização de acessórios ou peças não aprovados
 - quaisquer ajustes periódicos a, ou limpeza de manutenção de, carburadores
 - Componentes (peças e acessórios) sujeitos a desgaste e degradação natural, incluindo mas não se limitando a, maganetas anti-choque, correias de transmissão, embraiagens, lâminas de recortadores de sebes ou corta-relvas, arneses, cabos de acelerador, escovas de carvão, cabos eléctricos, dentes, anilhas de feltro, pinos de engate, ventoinhas do soprador, tubos do soprador e do aspirador, cintas e sacos do aspirador, barras de guia, correntes de serra, mangueiras, peças de ligação, bocais de pulverização, rodas, varinhas de pulverização, bobinas interiores, bobinas exteriores, linhas de corte, velas de ignição, filtros do ar, filtros de gasolina, lâminas trituradoras, etc.
- Para assistência, o produto tem de ser enviado para, ou apresentado em, um posto de assistência autorizado RYOBI, conforme listado para cada país na lista de moradas de postos de assistência seguinte. Nalguns países, o seu concessionário RYOBI local encarega-se de enviar o produto para a organização de assistência RYOBI. Quando enviar um produto para um posto de assistência RYOBI, o produto deve ser embalado de forma segura, sem conter nenhuns conteúdos perigosos (por exemplo, gasolina), marcado com o endereço do remetente e acompanhado por uma breve descrição da avaria.
- Uma reparação/substituição ao abrigo desta garantia é gratuita. Não constitui um prolongamento a, nem um novo início de, o período da garantia. As peças ou ferramentas substituídas tornam-se propriedade nossa. Nalguns países, o remetente terá de pagar os custos de entrega ou a remessa postal. Os seus direitos previstos por lei resultantes da compra da ferramenta mantêm-se inalterados
- Esta garantia é válida na Comunidade Europeia, Suíça, Islândia, Noruega, Liechtenstein, Turquia e Rússia. Fora destas áreas, entre em contacto com o seu concessionário autorizado RYOBI para determinar se existe outra garantia aplicável.

CENTRO DE ASSISTÊNCIA AUTORIZADO

Para encontrar um centro de assistência autorizado próximo de si, visite <http://pt.ryobitools.eu/header/service-and-support/service-agents>.

DA RYOBI® BETINGELSER FOR GARANTI

Udover lovbestemte rettigheder, som resulterer af købet, er dette produkt dækket af en garanti, som anført herunder.

- Garantiperioden er 24 måneder for forbrugere og begynder på den dato, som produktet blev købt. Denne dato skal dokumenteres af en faktura eller andet bevis for købt. Produktet er udelukkende designet og dedikeret til forbrugere og privat brug. Så der ydes ingen garanti i tilfælde af professionel eller kommerciel brug.
- Der er en mulighed for at forlænge garantiperioden for en del af udvalget af haveværktøj (AC/DC), hen over den ovenfor beskrevne periode vha. registrering på hjemmesiden www.ryobitools.eu. Berettigelsen af værktøjet til forlængelse af garantiperioden er tydeligt vist i butikker og/eller på emballage/og indeholdt i produktokumentationen. Slutbrugeren skal registrere hans/hendes nyligt indkøbte værktøj online indenfor 30 dage efter købsdatoen. Slutbrugeren kan registrere sig for den forlængede garanti i sit land, hvis han/hun er opført på den online registreringsformular, hvor denne mulighed er gyldig. Derudover skal slutbrugere give deres samtykke til at opbevare data, som er påkrævet at indlæse online, og de er nødt til at acceptere vilkår og betingelser. Registreringsbekræftelseskvitteringen, som sendes ud på e-mail, og den originale faktura, som viser købsdatoen, vil fungere som bevis for den forlængede garanti.
- Garantien dækker alle defekter, som et produkt måtte have i løbet af garantiperioden, og som skyldes produktionsfejl eller materialefejl på købsdatoen. Garantien er begrænset til reparation og/eller udskiftning og inkluderer ikke andre forpligtelser, inklusiv men ikke begrænset til tilfældige skader eller følgeskader. Garantien er ugyldig, hvis produktet er blevet misbrugt, brugt uden at overholde vejledningen, eller det er blevet forkert tilslett. Denne garanti gælder ikke:
 - Beskadigelse af produktet, som er et resultat af uegnet vedligeholdelse
 - Et produkt der er blevet ændret eller modificeret
 - Et produkt hvor de originale identifikationsmærkninger (varemærke, serienummer) er blevet ødelagt, ændret eller fjernet.
 - Enhver beskadigelse forårsaget af manglende overholdelse af vejledningen
 - Ethvert ikke CE-produkt
 - Ethvert produkt som er blevet forsogt repareret af en ukvalificeret professionel eller uden tidligere foranstaltning af Technonic Industries.
 - Ethvert produkt som er tilslettet uegnet strømforsyning (ampere, spænding, frekvens)
 - Ethvert produkt som bruges med uegnet brændstoftilblanding (brændstof, olie, procentdel olie)
 - Enhver skade forårsaget af ekstern påvirkning (kemisk, fysisk, chok) eller fremmedelementer
 - Normal slid på reservedele
 - Uegnet brug, overbelastning af værktøjet
 - Brug af ikke-godkendt tilbehør eller dele
 - Alle regelmæssige justeringer eller vedligeholdelsesrengøring af karburatorer
 - Komponenter (dele og tilbehør) som er udsat for naturlig slid og ælde, inklusiv men ikke begrænset til drejeknapper, drivrem, greb, klinger til hækketrimmere eller plæneklippere, sele, kabel gasspjæld, kulbørster, elledning, tænder, filtskiver, ophængstapper, blæserventilatorer, blæser- og sugeslanger, sugespøse og stropper, styrestænger, savkæder, slanger, forbindelsespakninger, sprøjtedyser, hjul, sprøjtestave, indvendige ruller, udvendige ruller, udvendige spoler, skærelinjer, tændrør, luftfilter, gasfilter, tildækningsblade etc.
- For eftersyn skal produktet sendes til eller præsenteres for en RYOBI-autoriseret service værksted, som er oplyst for hvert land i den følgende liste over service værksted adresser. I nogle lande påtager din lokale RYOBI-forhandler sig ansvaret for at sende produktet til RYOBI-serviceorganisationen. Når et produkt sendes til en RYOBI-service værksted, skal det pakkes sikkert ind uden noget farligt indhold som benzín, mærkes med afsenderens adresse og med en kort beskrivelse af fejlen.
- En reparation/erstatning under denne garanti er gratis. Den udgør ikke en forlængelse eller en ny start på garantiperioden. Udværgede dele eller værktøjer bliver vores ejendom. I nogle lande skal leveringsafgifter eller porto betales af afsenderen. Dine lovbestemte rettigheder i forbindelse med købet forbliver uanfægtede
- Denne garanti gælder i EU, Schweiz, Island, Norge, Liechtenstein, Tyrkiet og Rusland. Udenfor disse områder bedes du kontakte din autoriserede RYOBI-forhandler for at afgøre, om en anden garanti gælder.

AUTORISEREDE SERVICEVÆRKSTEDER

Find nærmeste autoriserede serviceværksted på <http://dk.ryobitools.eu/header/service-and-support/service-agents>.

SV RYOBI® ANVÄNDNINGSVILLKOR FÖR GARANTI

Förutom eventuella lagstadgade rättigheter som uppstår genom köpet, täcks den här produkten av en garanti som anges nedan.

- Garantiperioden är 24 månader för konsumenter och börjar gälla från det datum då produkten köptes. Detta datum måste dokumenteras på en faktura eller annat köpbevis. Produkten är utformad och avsedd för konsumenter och privat bruk. Därmed tillhandahålls ingen garanti vid yrkesmässigt eller kommersiellt bruk.
- Det finns möjlighet att förlänga garantiperioden för en del av utbudet för trädgårdsverktyg (AC/DC) under den period som anges ovan genom att använda registreringen på webbplatsen www.ryobitools.eu. De verktyg som är berättigade till en förlängning av garantiperioden visas tydligt i butik och/eller på förpackningen/och anges i produktdokumentationen. Slutanvändaren behöver registrera hans/hennes nyförvävade verktyg online inom 30 dagar från köpdatumet. Slutanvändaren kan registrera sig för den förlängda garantin i det land där han/hon bor om landet finns angivet i registreringsformuläret online och där detta alternativ är giltigt. Dessutom måste slutanvändaren ge sitt medgivande till lagring av data vilket krävs vid registrering online samt acceptera villkoren. Bekräftelsekvittot för registreringen som skickas ut via e-post och originalfakturan som visar köpdatumet kommer att gälla som bevis för den förlängda garantin.
- Garantin täcker alla produktdefekter under garantiperioden som beror på brister i utförande eller material vid köpdatumet. Garantin är begränsad gällande reparation och/eller utbyte och inkluderar inte några skyldigheter inklusive men inte begränsat till oförutsedda skador eller följdskador. Garantin är inte giltig om produkten har missbrukats, använts i strid med bruksanvisningen eller inte anslutits på rätt sätt. Denna garanti täcker inte:
 - eventuella skador på produkten som uppstått till följd av felaktigt underhåll
 - produkter som har ändrats eller modifierats
 - produkter där ursprungliga identifieringsmärkningarna (varumärke, serienummer) har målats över, ändrats eller tagits bort
 - eventuella skador som uppstått till följd av att bruksanvisningen inte efterföljts
 - alla icke CE-produkter
 - eventuella produkter som har försökts repareras av en icke-kvalificerad yrkesman eller utan föregående medgivande från Techtronic Industries.
 - eventuella produkter som anslutits till felaktig strömförsörjning (ampere, volt, frekvens)
 - eventuella produkter som använts med olämplig bränsleblandning (bränsle, olja, oljeprocent)
 - eventuella skador som uppstått till följd av yttre påverkan (kemisk, fysisk, stötar) eller främmande ämnen
 - normalt slitage av reservdelar
 - olämplig användning, överbelastning av verktyget
 - användningen av icke-godkända tillbehör eller delar
 - Eventuella periodiska justeringar av eller vid underhållsrengöring av förgasare
 - Komponenter (delar och tillbehör) är föremål för naturligt slitage, inklusive men inte begränsat till tryckknappar, drivremmar, koppling, blad till kantrimrar eller gräsklippare, sele, gasreglagevajer, kolborstar, strömsladd, spetsar, filtbrickor, kopplingsprint, blåsfläkt, blås- och sugrör, sugpåse och remmar, styrskenor, sägkedjor, slangar, anslutningsdonördel, spraymunstycken, hjul, spraystavar, innerrullar, ytterspolar, skärtråd, tändstift, luftfilter, gasfilter, sönderdelningsblad osv.
- Vid service måste produkten skickas eller uppvisas för en RYOBI- auktoriserad servicestation som står angiven för varje land i följande adresslista över servicestationer. I vissa länder tar din lokala RYOBI- återförsäljare på sig ansvaret att skicka produkten till RYOBI- serviceorganisationen. När en produkt skickas till en RYOBI-servicestation, ska produkten paketeras säkert utan något farligt innehåll såsom bensin, markeras med avsändarens adress samt en kort beskrivning av felet.
- En reparation/ett utbyte under denna garanti är kostnadsfri. Det utgör inte en förlängning eller förnyelse av garantiperioden. Utbyta delar eller verktyg blir vår egendom. I vissa länder måste leveranskostnader eller porto betalas av avsändaren. Dina lagstadgade rättigheter som härrör från köpet av verktyget förblir opåverkade
- Denna garanti är giltig i Europeiska gemenskapen: Schweiz, Island, Norge, Liechtenstein, Turkiet och Ryssland. Utanför dessa länder, kontakta din auktoriserade RYOBI-återförsäljare för att avgöra om en annan garanti gäller.

AUKTORISERAT SERVICECENTER

Du hittar närmaste auktoriserade servicecenter genom att gå till <http://se.ryobitools.eu/header/service-and-support/service-agents>.

FI RYOBI®-TAKUUN SOVELTAMISEHDOT

Tällä tuotteella on oston luomien lakisäasteiden oikeuksien ohella alla mainitun mukainen takuu.

- Takuun kesto on kuluttajille 24 kuukautta ja takuuaika alkaa tuotteen ostohetkestä. Tämän päivämäärän tulee lukea laskussa tai muussa ostositotteesta. Tuote on suunniteltu ja tarkoitettu vain kuluttajien ja yksityiseen käyttöön. Takuu ei siis kata ammatti- eikä kaupallista käyttöä.
- Joidenkin puutarhatyökalujen (AC/DC) takuun kesto on mahdollista laajentaa yllä mainittua kesto pidemmäksi verkkosivuston www.ryobitools.eu rekisteröinnin kautta. Työkalujen kelpoisuus takuujakson laajennukseen näkyy selkeästi myymälöissä ja/tai pakkaussissa ja/tai tämä tieto sisältyy tuotetiedokumentaatioon. Loppukäyttäjän täytyy rekisteröidä vasta hankitut työkalut internetissä 30 päivän kuluessa ostopäivämäärästä. Loppukäyttäjän voi rekisteröidä laajennetun takuun kotimaassaan, jos se on luettuna online-rekisteröintilomakkeessa, jossa mainitaan, missä tämä vaihtoehto on voimassa. Loppukäyttäjien täytyy lisäksi hyväksyä tietojen tallennus, jotka heidän täytyy antaa online-tilassa sekä ehdot. Rekisteröinnin vahvistuskuitti, joka lähetetään sähköpostitse, ja alkuperäinen ostopäivämäärän ilmaiseva lasku toimivat laajennetun takuun tositteina.
- Takuu kattaa kaikki tuotteen takuuaikana tulevat viat, joiden aiheuttajina ovat tuotteen ostopäivän olleet valmistus- tai materiaali viat. Takuu on rajoitettu korjaukseen ja/tai vaihtoon eikä se sisällä mitään muita velvoitteita mukaan lukien satunnais- ja seurannaisvahinkoja, mutta rajoittumatta niihin. Takuu ei päde, jos tuotetta on käytetty väärin, käyttöohjeen vastaisesti tai jos se on liitetty virheellisesti. Tämä takuu ei kata:
 - virheellisesti huolustea johtuvia vaurioita
 - muunnettua tai muutettua tuotetta
 - tuotetta, jonka alkuperäiset tunnistemerkinnät (tavaramerkki, sarjanumero) on turmeltu, muutettu tai poistettu
 - tämän käyttööppaan laiminlyönnistä johtuvia vaurioita
 - ei-CE-tuotetta
 - tuotetta, jota on yrittänyt korjata epäpätevä ammattilainen tai joka on rajoittu ilman Techtronic Industrien ennakkolupaa.
 - tuotetta, joka on liitetty virheelliseen teholahteeseen (ampeirit, jännite, taajuus)
 - tuotetta, jossa on käytetty väärää polttoaineseosta (polttoaine, öljy, öljyprosentti)
 - ulkoisten vaikutusten (kemiallinen, fyysinen, iskut) tai vieraiden aineiden aiheuttamaa vauriota
 - normaaleja kuluvia varaosia
 - virheellistä käyttöä, työkalun ylikuormitusta
 - ei-hyväksytytjen tarvikkeiden tai osien käyttöä
 - Kaasutinen säännöllistä säätöä tai ylläpitävää puhdistusta
 - Luonnollisesti kuluvia komponentteja (osia tai tarvikkeita), joihin sisältyvät puskunupit, käyttöohinat, kytkin, pensasleikkuriin tai ruohonleikkuriin terät, valjaat, kaasuvaijeri, hiiharajat, virtajohto, piikit, huopatiivisteet, sokkatapit, puhallinten tuulettimeet, puhallin- ja imuputket, imuriin säkit ja hinnat, terälevyt, sahankeijut, letkut, liitososat, suihkusuiuttimeet, pyörät, ruiskutusputket, sisä- ja ulkokelat, leikkuusuiimat, hehkutulpat, ilmansuodattimet, kaasusuodattimet, silppuperät yms. näihin kuitenkin rajoittumatta.
- Tuote on lähetettävä huollettavaksi valtuutettuun RYOBI-huoltoon tai näytettävä silleä. Niiden osioteet kussakin maassa löytyvät seuraavasta luettelosta. Joissakin maissa paikallinen RYOBI-jälleenmyyjä huolehtii tuotteen lähetyksestä RYOBI-huolto-organisaation. Kun tuote lähetetään RYOBI-huoltoon, se täytyy pakata hyvin ilman vaarallisia aineita, kuten polttoainetta, ja pakkaukseen täytyy merkitä lähettäjän nimi sekä vian lyhyt kuvaus.
- Takuun kattama korjaus/vaihto on maksuton. Se ei tarkoita takuujajan laajennusta tai alkamista alusta. Vahdetut osat tai työkalut siirtyvät valmistajan omistukseen. Joissakin maissa lähettäjän täytyy maksaa lähetyskustannukset tai postikulut. Työkalun oston luomat lakisäasteiset oikeudet pysyvät koskemattomina
- Tämä takuu on voimassa Euroopan yhteisössä, Sveitsissä, Islannissa, Norjassa, Liechtensteinissa, Turkissa ja Venäjällä. Ota näiden alueiden ulkopuolella yhteyttä omaan valtuutettuun RYOBI-jälleenmyyjään ja selvitä, onko jotain muuta takuuta.

VALTUUTETTU HUOLTO

Voit etsiä lähimmän valtuutetun huollon sivulla <http://fi.ryobitools.eu/header/service-and-support/service-agents>.

NO RYOBI® GARANTIBETINGELSER

I tillegg til eventuelle lovbestemte rettigheter som følger av kjøpet, er dette produktet dekket av en garanti som angitt nedenfor.

- Garantiperioden er 24 måneder for konsumenter og gjelder fra den datoen som produktet ble kjøpt. Denne datoen skal dokumenteres med en faktura eller annet kjøpsbevis. Produktet er designet og beregnet kun til konsument- og privat bruk. Så det gis ingen garanti ved profesjonell eller kommersiell bruk.
- For en del av utvalget av hageverktøy (AC/DC) er det mulighet til å utvide garantiperioden i den perioden som er beskrevet ovenfor ved bruk av registreringene på nettstedene www.ryobitools.eu. Kvalifiseringen av verktøyene for en utvidelse av garantiperioden er tydelig vist i butikker og 7eller på pakningen / og finnes innen produktdokumentasjonen. Sluttbrukeren må registrere sine nylig anskaffede verktøy online innen 30 dager etter kjøpsdato. Sluttbrukeren kan registrere seg for den utvidede garantien i sitt land hvis det er opplistet på online registreringsskjemaet der dette alternativet er gyldig. Videre må sluttbrukere gi sitt samtykke til oppbevaring av dataene som kreves for å gå online, og de må godta vilkår og betingelser. Registreringsbekreftelsen, som sendes ut på e-post, og den originale fakturaen som viser kjøpsdato, vil tjene som bevis for den utvidede garantien.
- Garantien dekker alle defekter i produktet under garantiperioden på grunn av defekter i utførelse eller materiale på kjøpsdato. Garantien er begrenset til å reparere og/eller erstatte og inkluderer ikke noen andre forpliktelser, inkludert, men ikke begrenset til, tilfeldige eller følgesmessige skader. Garantien er ikke gyldig hvis produktet har blitt misbrukt, brukt på annen måte enn det som beskrives i bruksanvisningen eller er koblet til på feil måte. Denne garantien gjelder ikke for:
 - enhver skade på produktet som er resultat av utilstrekkelig vedlikehold
 - ethvert produkt som har blitt endret eller modifisert
 - ethvert produkt der de originale identifiseringsmerkene (varemerke, serienummer) har blitt uleselig, er endret eller fjernet
 - enhver skade som forårsakes av ikke-overholdelse av instruksjonshåndboken
 - ethvert ikke-CE-produkt
 - ethvert produkt som har blitt forsøkt reparert eller av en ikke-kvalifisert fagperson eller uten tidligere autorisasjon fra Techtronic Industries.
 - ethvert produkt tilkoblet feil strømforsyning (ampere, spenning, frekvens)
 - ethvert produkt som brukes med feil drivstoffblanding (drivstoff, olje, prosentandel olje)
 - enhver skade som er forårsaket av eksterne påvirkninger (kjemiske, fysiske, støt) eller fremmede stoffer
 - normal slitasje og sliteserøvedeler
 - feil bruk, overbelastning av verktøyet
 - bruk av ikke-godkjent tilbehør eller deler
 - Eventuelle periodiske justeringer av eller vedlikeholdsrengjøring av forbrennere
 - Komponenter (deler og tilbehør) som er underlagt naturlig slitasje, inkludert, men ikke begrenset til bulkknott, drivreimer, clutch, blader på hektrimmere eller gressklippere, seler, kabelspjeld, karbonborster, strømledning, kniver, feltpakninger, heispinner, blåseviser, blåse- og vakuumslang, vakuumpose og reimer, førerstenger, sagkjeder, strømper, koblingsmonteringer, spraydyser, hjul, spraystenger, indre spoler, ytre spoler, kuttelinjer, tennplugg, luftfilter, gassfilter, mulchingblader osv.
- For service må produktet sendes eller fremlegges for en RYOBI-autorisert servicestasjon opplistet for hvert land i den følgende listen over servicestasjonsadresser. I noen land sender den lokale RYOBI-forhandleren produktet til RYOBI serviceorganisasjonen. Ved å sende et produkt til en RYOBI servicestasjon skal produktet være sikkert pakket uten noe farlig innhold, slik som bensin, merket med senderens adresse og fulgt av en kort beskrivelse av feilen.
- En reparasjon/erstatning under denne garantien er gratis. Den utgjør ingen forlengelse eller en ny start av garantiperioden. Utskleddede deler eller verktøy blir vår eiendom. I noen land vil leveringskostnader eller franking måtte betales av senderen. Dine lovbestemte rettigheter som oppstår fra kjøp av verktøyet forblir uberørt.
- Denne garantien er gyldig i EU, Sveits, Island, Norge, Liechtenstein, Tyrkia og Russland. Utenfor disse områdene ta kontakt med din autoriserte RYOBI-forhandler om en annen garanti gjelder.

AUTORISERT SERVICESENTER

For å finne et autorisert servicecenter i nærheten, gå til <http://no.ryobitools.eu/header/service-and-support/service-agents>.

RU УСЛОВИЯ ПРИМЕНЕНИЯ ГАРАНТИИ НА ПРОДУКЦИЮ RYOBI®

Помимо законных прав, возникающих при покупке, данное изделие покрывается гарантией в соответствии с приведенными ниже пунктами.

- Гарантийный период для покупателя составляет 24 месяца с даты покупки изделия. Дата покупки должна быть подтверждена полностью заполненным гарантийным талоном и чеком о покупке. Данное изделие предназначено только для частного использования покупателем. Поэтому гарантия не распространяется на использование в профессиональных или коммерческих целях.
- Предусмотрена возможность продления для части изделий пилейных садовых инструментов (AC/DC) гарантийного периода с помощью регистрации на сайте www.ryobitools.eu. Право инструмента на продление гарантийного периода четко указано в магазинах и / или на упаковке / и содержится в сопутствующей инструменту документации. Конечный пользователь должен зарегистрировать свой приобретенный инструмент в течение 30 дней с даты покупки. Конечный пользователь может зарегистрировать свой инструмент на продление гарантии в стране своего проживания, если она указана в форме онлайн-регистрации. Кроме того, конечный пользователь должен дать свое согласие на хранение данных, которые необходимо ввести в онлайн-форму и принять правила и условия. Подтверждение регистрации, которое вы получите по электронной почте, заполненный гарантийный талон и оригинальный чек, в котором указана дата покупки, будут служить доказательством продленной гарантии.
- Гарантия покрывает в течение гарантийного периода все дефекты качества или материала изделия на дату покупки. Гарантия ограничена ремонтом и / или заменой и не включает никакие другие обязательства, включая, но не ограничиваясь случайными или косвенными убытками. Гарантия становится недействительной, если изделие использовалось не по назначению, вопреки инструкциям, данным в Руководстве пользователя или было неправильно подключено. Настоящая гарантия не распространяется на:
 - любые повреждения изделия в результате неправильного технического обслуживания или недостаточного ухода за инструментом
 - любые изделия, подвергшиеся изменениям и модификации
 - любые изделия, оригинальные идентификационные отметки которого (торговая марка, серийный номер) были повреждены, изменены или удалены
 - любые повреждения, вызванные несоблюдением инструкций Руководства пользователя
 - любые изделия, не сертифицированные маркировкой "CE" для продажи в Европейском союзе
 - любые изделия, подвергшиеся попыткам ремонта неквалифицированным работником или без предварительного утверждения компании Techtronic Industries.
 - любые изделия, подключенные к неправильному источнику питания (сила тока, напряжение, частота)
 - любые изделия, в которых использовались несоответствующие топливные смеси (топливо, масло, процент масла)
 - любые повреждения, вызванные внешними воздействиями (химические, физические, удары) или посторонними веществами
 - естественный износ запасных деталей
 - несотвествующее использование, перегрузка инструмента
 - использование неутвержденных аксессуаров и неоригинальных запасных деталей
 - любые регулярные регулировки, техническое обслуживание или чистка карбюраторов
 - компоненты (детали и аксессуары), подверженные естественному износу, включая, но не ограничиваясь фиксаторы шпильки приводные ремни, ценные муфты, лезвия триммеров и газонокосилок, плечевые ремни, кабельный дроссельный регулятор, угольные щетки, кабели питания, зубья, войлочные шайбы, фиксирующие шпильки, вентиляторы воздуходувки, трубки воздуходувки и пылесоса, мешок для сбора мусора и ремни, пыльные шины, пыльные цепи, шланги, соединительные детали, распылительные насадки, колеса, распылительные переходники, внутренние катушки и шпильки, режущую леску, свечи зажигания, воздушные и топливные фильтры, мульчирующие лезвия и др.
- Для проведения технического обслуживания изделие следует направлять в авторизованные сервисные центры RYOBI, указанные для каждой страны в приведенном ниже списке адресов сервисного обслуживания. В некоторых странах местные дилеры RYOBI отправляют изделия в сервисные организации RYOBI. При отправке изделия в сервисный центр RYOBI, изделие должно быть безопасно упаковано и не содержать никаких опасных веществ, таких как бензин, должен быть подписан адрес отправителя и сопровождаться кратким описанием неисправности.
- Ремонт / замена проводится в рамках настоящей гарантии бесплатно. Он не продлевает гарантию и не начинает новый гарантийный период. Заменяемые детали и инструменты становятся нашей собственностью. В некоторых странах отправитель должен оплачивать стоимость отправки. Ваши законные права, возникающие при покупке инструмента, остаются неизменными
- Данная гарантия действительна в Европейском Сообществе, Швейцарии, Исландии, Норвегии, Лихтенштейне, Турции и России. Вне указанных территорий обращайтесь к своему авторизованному дилеру RYOBI, чтобы узнать, применяются ли условия каких-либо других гарантий.

УПОЛНОМОЧЕННЫЙ СЕРВИСНЫЙ ЦЕНТР

Чтобы найти ближайший уполномоченный сервисный центр, обратитесь к веб-сайту <http://ru.ryobitools.eu/header/service-and-support/service-agents>.

PL WARUNKI GWARANCJI RYOBI®

Oprócz praw ustawowych wynikających z zakupu produkt jest objęty gwarancją, której warunki podano poniżej.

- Okres gwarancyjny wynosi 24 miesiące dla konsumentów i rozpoczyna się w dniu zakupu produktu. Datę zakupu należy udokumentować fakturą lub innym dowodem zakupu. Produkt został zaprojektowany i jest przeznaczony do użytku konsumentkiego i prywatnego. W związku z tym gwarancja nie obejmuje zastosowań profesjonalnych i komercyjnych.
- Istnieje możliwość wydłużenia okresu gwarancyjnego dla części asortymentu narzędzi ogrodniczych (AC/DC) poprzez zarejestrowanie produktu na stronie internetowej www.ryobitools.eu. Kwalifikowalność narzędzi do wydłużenia okresu gwarancyjnego jest wyraźnie określona w sklepach i/lub na opakowaniu oraz w dokumentacji produktu. Użytkownik końcowy musi zarejestrować nowo kupione narzędzia online w ciągu 30 dni od daty zakupu. Użytkownik końcowy może zarejestrować się w celu przedłużenia gwarancji w swoim kraju zamieszkania, jeżeli jest on wymieniony w formularzu rejestracji online, gdzie opcja ta obowiązuje. Ponadto użytkownicy końcowi muszą wyrazić zgodę na przechowywanie danych, wprowadzanych na stronie internetowej i zaakceptować regulamin. Dowodem wydłużenia gwarancji jest wysłane pocztą elektroniczną potwierdzenie rejestracji i oryginalny formularz potwierdzający datę zakupu.
- Gwarancja obejmuje wszystkie wady produktu ujawnione w okresie gwarancyjnym wynikające z usterki wykonania lub materiału obecnego w dniu zakupu. Gwarancja jest ograniczona do naprawy i/lub wymiany i nie obejmuje żadnych innych zobowiązań, w tym między innymi odpowiedzialności za szkody przypadkowe lub wtórne. Gwarancja nie obowiązuje, jeżeli produkt był nieprawidłowo używany, używany niezgodnie z instrukcją lub nie był prawidłowo podłączony. Gwarancja nie obejmuje:
 - uszkodzenia produktu wynikającego z nieprawidłowej konserwacji,
 - produktu, który został zmieniony lub zmodyfikowany,
 - produktu, którego oryginalne oznaczenie (znak towarowy, numer seryjny) zostało zniszczone, zmienione lub usunięte,
 - jakichkolwiek uszkodzeń wynikających z nieprzestrzegania instrukcji,
 - jakiegokolwiek produktu bez certyfikatu CE,
 - jakiegokolwiek produktu, który próbowano naprawiać z pomocą niewykwalifikowanej osoby lub bez uzyskania wcześniejszej zgody firmy Techtronic Industries.
 - jakiegokolwiek produktu podłączonego nie nieprawidłowego źródła zasilania (nieprawidłowe napięcie prądu, napięcie, czystość),
 - jakiegokolwiek produktu, który był używany z nieprawidłową mieszanką paliwową (paliwo, olej, procentowy udział oleju),
 - jakichkolwiek uszkodzeń spowodowanych wpływem czynników zewnętrznych (chemicznych, fizycznych, drgan) lub substancji obcych,
 - normalnego zużycia części zamiennych,
 - nieprawidłowego użycia, przeciążenia narzędzia,
 - stosowania niezatwierdzonych akcesoriów lub części,
 - jakichkolwiek okresowych regulacji lub czyszczenia gaźników w ramach konserwacji
 - elementów (części i akcesoriów) podlegających naturalnemu zużyciu, obejmujących, między innymi, kopułki do zwalniania żyłki, pasy napędowe, sprężgło, ostrza przycinarek do żywoptłotów lub kosiarzek do trawy, urząz, przepustnicę linkową, szcztolki węglowe, przewód zasilania, zęby, podkładki filcowe, kołki podnośnika, wentylatory dmuchawy, rury nadmuchowe i ssawne, worek na śmieci i paski, prowadnice, łańcuchy piły, węże, mocowanie złącz, dysze natryskowe, koła, oprsy natryskowe, szpule wewnętrzne, szpule zewnętrzne, filtry gazu, łożyska do ściółkowania itp.
- W celu serwisowania produkt należy wysłać lub okazać w autoryzowanym punkcie serwisowym RYOBI znajdującym się na przedstawionym poniżej wykazie punktów serwisowych w poszczególnych krajach. W niektórych krajach lokalny dystrybutor produktów RYOBI podejmuje się wysyłki produktu do centrum serwisowego RYOBI. W przypadku wysyłki do punktu serwisowego RYOBI produkt — pozbawiony jakichkolwiek niebezpiecznych substancji, na przykład benzyny — należy bezpiecznie zapakować i dołączyć adres nadawcy oraz krótki opis usterki.
- Naprawa/wymiana w ramach niniejszej gwarancji jest bezpłatna. Nie stanowi jednak o przedłużeniu lub rozpoczęciu od nowa biegu okresu gwarancyjnego. Wymienione części lub narzędzia stają się naszą własnością. W przypadku niektórych krajów nadawca będzie musiał uregulować koszty dostawy lub opłaty pocztowe. Prawa ustawowe wynikające z zakupu narzędzia pozostają niezmienione.
- Niniejsza gwarancja obowiązuje w Unii Europejskiej, Szwajcarii, Islandii, Norwegii, Liechtensteinie, Turcji i Rosji. Poza tymi obszarami należy skontaktować się z autoryzowanym dostawcą produktów RYOBI i ustalić, czy obowiązuje inna gwarancja.

AUTORYZOWANY PUNKT SERWISOWY

Najbliższy autoryzowany punkt serwisowy można wyszukać w witrynie internetowej <http://pl.ryobitools.eu/header/service-and-support/service-agents>.

CS ZÁRUČNÍ PODMÍNKY RYOBI®

Kromě zákonných práv vyplývajících z koupě výrobku se na tento výrobek vztahuje také níže uvedené záruka.

- Záruční doba pro spotřebitele je 24 měsíců a začíná datem nákupu výrobku. Datum musí být zaznamenáno na fakturě nebo jiném dokladu o koupi. Tento výrobek je navržen a určen pouze pro soukromé účely spotřebitelů. Záruka se tedy nevztahuje na profesionální nebo komerční využití výrobku.
- U některých zahradních nástrojů (AC/DC) je možné záruční dobu prodloužit. K tomu je nutná registrace na stránkách www.ryobitools.eu. Možnost prodloužené záruční doby výrobků je jasně uvedena v prodejních, popř. na obalech nebo v dokumentech o výrobku. Koncový uživatel musí svůj nový nástroj zaregistrovat online do 30 dnů od data nákupu. Koncový uživatel se může k prodloužené záruční době zaregistrovat v zemi trvalého pobytu, pokud je tato uvedena na internetovém registračním formuláři u výrobku, kde je tato možnost dostupná. Koncoví uživatelé musí dále souhlasit s uložením osobních údajů, která musí zadat na internetu, a přijmout obchodní podmínky. E-mail s potvrzením registrace a původní faktura s datem koupě poslouží jako důkaz o prodloužené záruce.
- Záruka se vztahuje na veškeré vady na výrobku v rámci záruční doby způsobené výrobními vadami nebo vadami materiálu v době koupě. Záruka je omezena na opravu, popřípadě výměnu a nezahrnuje žádné další povinnosti, včetně mimo jiné vedlejších či následných odškodnění. Záruka neplatí při použití výrobku k nevhodným účelům, v rozporu s uživatelskou příručkou nebo při nesprávném zapojení. Záruka se nevztahuje na:
 - veškeré škody na výrobku způsobené nesprávnou údržbou
 - veškeré produkty, které byly pozměněny nebo upraveny
 - veškeré produkty, kde byly původní identifikační prvky (obchodní značka, sériové číslo) poničeny, pozměněny nebo odstraněny
 - veškeré škody způsobené nedodržováním pokynů uživatelské příručky
 - veškeré produkty bez CE certifikace
 - veškeré produkty, které se pokusil opravit nekvalifikovaný odborník nebo opravy bez předchozího svolení společnosti Techtronic Industries.
 - veškeré produkty zapojené do nesprávného elektrického zdroje (proud, napětí, frekvence)
 - veškeré produkty používané s nevhodnou palivovou směsí (paliwo, olej, procento oleje)
 - veškeré škody způsobené externími vlivy (chemickými, fyzickými, nárazy) nebo cizími látkami
 - běžné opotřebování dílů
 - nevhodné použití, přetěžování nástroje
 - použití neschválených příslušenství nebo dílů
 - veškerá pravidelná seřízení nebo čištění v rámci údržby karburátoru
 - komponenty (díly a příslušenství) podléhající opotřebení, včetně mimo jiné nárazových koleček, posuvných pásů, spojek, kožů plotových nůžek a sekaček na trávu, popruhu, plynového lanka, kožů karbonových kartáčů, napájecího kabelu, zubů, plstěných podložek, závěsných kolků, větráků fukaru, trubic fukaru a vysavače, vaku a popruhu vysavače, vodících lišt, pilových řetězů, hadic, konektorů, trysek, kol, stříkacích tyčí, vnitřních cívek, vnějších kotoučů, řezných strun, zapalovacích svíček, vzduchových filtrů, plynových filtrů, mulčovačích nožů atd.
- K provedení servisu musí být výrobek zaslán nebo předán do autorizovaného servisního centra společnosti RYOBI, jejichž adresy jsou uvedeny podle zemi v seznamu servisních center. V některých zemích za vás výrobek pošle servisní organizaci RYOBI sám prodejce výrobků této značky. Při zaslání výrobku do servisního centra RYOBI je potřeba výrobek bezpečně zabalit bez nebezpečného obsahu jako benzín, opatřit adresou odesílatele a připojit krátký popis závady.
- Oprava, popř. výměna v rámci této záruky je zdarma. Neznamená to prodloužení nebo začátek nové záruční lhůty. Vyměněné díly nebo nástroje přejdou do našeho vlastnictví. V některých zemích platí poštovné odesílatele. Vaše zákonná práva vyplývající z koupě tohoto nástroje zůstávají nedotčena.
- Tato záruka platí v Evropském Společenství, Švýcarsku, Norsku, Lichtenštejnsku, Turecku, Rusku a na Islandu. Mimo tuto území kontaktujte autorizovaného prodejce značky RYOBI, který zjistí, zda se na výrobek vztahuje jiná záruka.

POVĚŘENÉ SERVISNÍ STŘEDISKO

Pro nalezení nejbližšího pověřeného servisního střediska navštivte <http://cz.ryobitools.eu/header/service-and-support/service-agents>.

HU A RYOBI® GARANCIA ALKALMAZÁSÁNAK FELTÉTELEI

A vásárlásból adódó törvényben rögzített jogok mellett a termékre az alábbi garancia vonatkozik.

1. A fogyasztói garancia tartama 24 hónap, mely a termék vásárlásának napjával kezdődik. Ezt a dátumot számlával vagy a vásárlást igazoló egyéb dokumentummal kell bizonyítani. A termék rendelkezése csak fogyasztói és magánocélú használat. Ezért professzionális vagy kereskedelmi használat esetén a garancia nem érvényes.
2. A kerti szerszámok (egyenáramú/váltóáramú) egy részénél a garancia időtartama a www.ryobitools.eu weblapon regisztrálva meghosszabbítható. Az áruházakban, a csomagoláson, illetve a termék dokumentációjában egyértelműen jelezzé van, hogy az adott termék garanciája meghosszabbítható-e. A végfelhasználónak a vásárlás dátumától számított 30 napon belül regisztrálnia kell az újonnan vásárolt szerszámot. A végfelhasználó akkor regisztrálhat a kiterjesztett garanciára, ha az ország, ahol lakik, fel van sorolva az online regisztrációs űrlapon azon országok között, ahol választható ez az opció. Ezenkívül a végfelhasználónak bele kell egyeznie az online regisztrálás során szükséges adatok tárolásába, és el kell fogadnia a felhasználási feltételeket. A kiterjesztett garanciát a regisztráció beérkezésétől e-mailben küldött visszaigazolás és a vásárlás dátumát tartalmazó eredeti számla igazolja.
3. A garancia a termék vásárlásakor fennálló, a gyártás során keletkezett hibákra és anyaghibákra érvényes a garanciális időtartamon belül. A garancia csak a javításra/cserére korlátozódik, és nem terjed ki semmilyen egyéb kötelezettségre, nem kizárólagosan ideértve a véletlen vagy szándékos rongálást. A garancia nem érvényes, ha a terméket nem megfelelően, a használati utasításban foglaltakkal ellentétben, illetve nem megfelelően csatlakoztatva használták. A garancia nem vonatkozik:
 - a terméket a nem megfelelő karbantartás következtében ért károsodásra – megváltoztatott vagy átalakított termékre
 - olyan termékre, melyen az eredeti azonosítókat (védjegy, sorozatszám) megrongálták, megváltoztatták vagy eltávolították
 - a használati utasítás be nem tartásából eredő kárra
 - CE jelöléssel nem rendelkező termékekre
 - olyan termékre, melyet nem képzett, illetve a Techtronic Industries által nem feljogosított szerelő javított
 - nem megfelelő (áramerősségű, feszültségű, frekvenciájú) áramforrásra csatlakoztatott termékre
 - nem megfelelő üzemanyag-keverékkel (üzemanyag, olaj, olaj aránya) használt termékre
 - külső (vegyi, fizikai, ütés) hatásokból vagy idegen anyagokból eredő károkra
 - a cserélhető alkatrészek természetes kopására és elhasználódására
 - a szerszám helytelen használatára, tüllerhelésére
 - nem jóváhagyott tartozékok és alkatrészek használatára
 - A karburátorok rendszeres beállítása, karbantartása, tisztítása
 - A természetes kopásnak és elhasználódásnak kitett alkatrészek és kiegészítők, például (de nem kizárólag) damildobok, ékszíjak, foglalatok, sövényvágók és fűnyírók kése, heveder, gázbowden, szénkefék, tápkábel, kultivátorfogak, ficalátétek, akasztószögek, fűvókészülékek ventilátora, fűvő- és szívócsövek, szívózsák és pántok, terelőrudak, fűrészláncok, tömlők, csatlakozószervevények, permetezőfejek, kerekék, permetezőszárazak, belső dobok, külső csévék, vágódamillók, gyűjtőgyertyák, légszűrők, gázsűrők, mulcsozókések stb.
4. A terméket javításra el kell vinni egy meghatalmazott RYOBI szervizbe; ezeket az egyes országokhoz a következő listában találja. Egyes országokban a helyi RYOBI kereskedő vállalja a termék elszállítását a RYOBI szervizbe. A terméket veszélyes tartalom, például benzín nélkül csomagolva, a feladó címét feltüntetve, a hiba rövid leírásával együtt küldje el a RYOBI szervizbe.
5. A jelen garancia hatálya alatt végzett javítás, illetve csere ingyenes. Nem jelenti a garanciális időtartam újraindulását. A kicserélt alkatrészek és szerszámok a mi tulajdonunkba kerülnek. Egyes országokban a szállítás vagy postázás költségét a feladó viseli. A vevőnek a szerszám megvásárlásából adódó törvényes jogai nem változnak.
6. Jelen garancia az Európai Közösségben, Svájcban, Izlandon, Norvégiában, Liechtensteinben, Törökországban és Oroszországban érvényes. E területen kívül kérdezze meg a RYOBI forgalmazót, hogy milyen garancia van érvényben.

HIVATALOS SZERVIZKÖZPONT

A legközelebbi hivatalos szervizközpont megtalálásához látogasson el a <http://hu.ryobitools.eu/header/service-and-support/service-agents>.

RO CONDIȚII DE APLICARE A GARANȚIEI PENTRU PRODUSELE RYOBI®

În plus față de condițiile statutare rezultate din achiziționarea acestui produs, acesta este acoperit de garanția stipulată mai jos.

1. Perioada de garanție este de 24 de luni pentru consumatori și începe de la data achiziționării produsului. Data de începere a garanției trebuie demonstrată cu o factură sau altă dovadă a cumpărării produsului. Produsul este destinat și conceput doar pentru utilizare în scopuri personale. Din acest motiv, nu se oferă garanție pentru utilizarea sa în scop profesional sau comercial.
2. Există posibilitatea de extindere a perioadei de garanție pentru gama de unelte electrice pentru grădina (de CA/CC) peste perioada stipulată mai sus prin înscrisura produsului pe website-ul www.ryobitools.eu. Eligibilitatea pentru perioada de extindere a garanției este afișată în mod clar în magazinele de vânzare și/sau pe ambalaj sau este inclusă în documentația livrată împreună cu produsul. Utilizatorul final este obligat să-și înregistreze produsul online în termen de maxim 30 de zile de la achiziția acestuia. Utilizatorul final poate înregistra produsul pentru garanția extinsă oferită în țara sa de rezidență dacă aceasta este listată în formularul de înregistrare online și dacă această opțiune este validă. În plus, utilizatorii finali trebuie să-și dea acordul pentru stocarea datelor personale solicitate la înregistrarea online și trebuie să accepte termenii și condițiile. Mesajul de confirmare a înregistrării, trimis prin e-mail și factura originală cu data achiziției vor dovedi perioada de garanție extinsă.
3. Garanția acoperă toate defecțiunile produsului survenite în perioada de garanție datorate defectelor de execuție sau materialelor folosite, începând cu data achiziției acestuia. Garanția este limitată la reparare și/sau înlocuire și nu include alte obligații, inclusiv, dar fără a se limita la daune accidentale sau rezultate pe cale de consecință. Garanția își pierde valabilitatea dacă produsul este utilizat necorespunzător, utilizat necorespunzător cu instrucțiunile de utilizare din manualul cu instrucțiuni sau conectat incorect. Garanția nu se aplică în cazul:
 - oricărei defecțiuni survenite în urma înnerețirii necorespunzătoare a produsului
 - oricărui produs alterat sau modificat
 - oricărui produs la care inscripțiile cu datele de identificare (marca comercială, numărul de serie) au fost șterse, modificate sau îndepărtate
 - oricărei defecțiuni datorate neconformării cu instrucțiunile din manualul de utilizare
 - oricărui produs necertificat CE
 - oricărui produs asupra căruia au fost efectuate tentative de reparare de către personal necalificat sau fără autorizație prealabilă din partea Techtronic Industries.
 - oricărui produs conectat la o sursă de alimentare necorespunzătoare (curent, tensiune, frecvență)
 - oricărui produs utilizat cu un amestec de carburant necorespunzător (combustibil, ulei, proporții de adaos ulei)
 - oricărui defecțiune datorate unor influențe externe (chimice, fizice, șocuri) sau substanțe străine
 - uzurii și fisurării normale a pieselor de rezervă
 - utilizării neadecvate, suprasolicitanții uneltei
 - utilizării de piese și accesorii neaprobate
 - Operațiunile de curățare sau reglare periodică a carburatoarelor
- Componentele (piese și accesorii) supuse uzurii și defectării normale, care includ, fără a se limita la manșoane de protecție, curele de transmisie, ambreiaji, lamele de la tăietoarele de arbore sau gazon, harnașamente, cablu de accelerație, perii de cărbune, cordon de alimentare, dinți, discuri de păslă, știfturi de siguranță, ventilatoare de suflantă, tuburi de aspirare sau suflare, sac de colectare resturi și banda de susținere a acestuia, bare de ghidare, lanțuri de fierăstrău, furtunuri, accesorii de conectare, duze de pulverizare, volante, baghete de pulverizare, moșoare interne, carcase exterioare pentru moșoare, fire tăietoare, bujii, filtre de aer, filtre de gaz, lame de locător, etc.
4. Pentru efectuarea reparațiilor, produsul trebuie trimis sau adus la un centru de reparații autorizat RYOBI din lista următoare de centre de reparații prezentate pentru fiecare țară. În anumite țări, reprezentatul local RYOBI va trimite produsul spre reparație la sediul central de reparații RYOBI. Atunci când trimiteți produsul spre reparație la un centru de reparații RYOBI, acesta trebuie ambalat în siguranță, fără conținut periculos (cum ar fi benzină), marcat cu adresa expeditorului și însoțit de o scurtă descriere a defectului.
5. Repararea/înlocuirea în perioada de garanție este gratuită. Aceasta nu este însoțită de o prelungire sau o reinițiere a perioadei de garanție. Piesele sau uneltele schimbate devin proprietatea dvs. În anumite țări, taxele de expediție sau postale vor fi suportate de expeditor. Drepturile dvs. statutare rezultate din achiziția produsului rămân neschimbate.
6. Această garanție este valabilă în Comunitatea Europeană, Elveția, Islanda, Norvegia, Liechtenstein, Turcia și Rusia. În afara acestor zone, vă rugăm să contactați reprezentantul dvs. local RYOBI pentru a determina dacă se aplică alt tip de garanție.

CENTRU DE SERVICE AUTORIZAT

Pentru a găsi un centru de service autorizat lângă dvs., vizitați <http://en.ryobitools.eu/header/service-and-support/service-agents>.

LV RYOBI® GARANTIJAS PIEMĒROŠANAS NOSACĪJUMI

Papildus jebkādam likumiskajām tiesībām, kuras rodas, veicot pirkumu, izstrādājums tiek nodrošināts ar tālāk tekstā noteikto garantiju.

1. Garantijas periods patērētājiem ir 24 mēneši, tā atskaitē tiek sākta no datuma, kurā veikta izstrādājuma iegāde. Šim datumam jābūt dokumentētām rēķinā vai citā pirkumu apliecināso dokumentā. Izstrādājums ir radīts un paredzēts tikai patērētāja privātai lietošanai. Saisītībā ar iepriekšminēto, garantija netiek nodrošināta profesionālās vai komerciālas lietošanas gadījumā.
2. Pastāv iespēja pagarināt daļas no dārza instrumentu klāsta (Maigstrāvas/akumulatoru) garantiju ilgāk par iepriekš minēto periodu, izmantojot reģistrāciju internetā vietnē www.ryobitools.eu. Instrumenti, kas pakļauti garantijas perioda pagarināšanai, tiek skaidri apzīmēti veikalos un/vai uz iepakojuma un izstrādājumu komplektējošajā dokumentācijā. Gala lietotājam nepieciešams reģistrēt tā iegādāto jauno instrumentu 30 dienu laikā no pirkuma datuma. Gala lietotājs var reģistrēties pagarinātajai garantijai savā mītnes valstī, ja tā minēta tiešsaistes reģistrācijas veidlapā, kurā šī iespēja ir aktīva. Bez tam, gala lietotājam ir jāsniedz piekrišana tiešsaistes ievadīšanai nepieciešamo datu glabāšanai un jāpiekrīt noteikumiem un nosacījumiem. Reģistrācijas apstiprinājums, kas tiek nosūtīts, izmantojot e-pastu, un rēķina oriģināls, kurā norādīts iegādes datums, kalpo kā pagarinātās garantijas apstiprinājums.
3. Garantija attiecas uz visiem izstrādājumu defektiem garantijas periodā, kas saistīti ar ražošanas vai materiālu defektiem no pirkuma datuma. Šī garantija tiek ierobežota ar remontu un/vai nomaiņu un neietver jebkādas citas saistības, tajā skaitā, bet ne tikai, cēloņsakarīgos vai saistītos bojājumus. Garantija nav spēkā, ja izstrādājums ir nepareizi lietots, izmantots pretēji norādēm lietošanas rokasgrāmatā vai bijis nepareizi pieslēgts. Šī garantija netiek attiecināta uz:
 - jebkādiem izstrādājuma bojājumiem, kas radušies nepareizas uzstādīšanas rezultātā
 - jebkuru izstrādājumu, kas ticis pārveidots vai mainīts
 - jebkuru izstrādājumu, kura oriģinālās identifikācijas (preču zīme, sērijas numurs) marķējums ir ticis nodzēsts, mainīts vai noņemts
 - jebkādiem bojājumiem, kuri radušies neveidojot norādes lietošanas rokasgrāmatā
 - jebkādam izstrādājumam bez CE sertifikācijas
 - jebkuram izstrādājumam, kura remontu mēģinājis veikt nekvalificēts personāls vai bez Technonic Industries iepriekšējās autorizācijas
 - jebkuram izstrādājumam, kurš bijis pieslēgts neatbilstoši parametriem (strāvas, sprieguma, frekvences) sprieguma avotam
 - jebkuram izstrādājumam, kurš bijis izmantots ar nepareizu degvielas maisījumu (degviela, eļļa, eļļas procentuālais saturs)
 - jebkuriem bojājumiem, kuri radušies ārējas iedarbības (ķīmiskas, fiziskas, triecieni) vai vielu ietekmē
 - detaļu normāla lietošanas nodiluma rezultātā
 - nepareizas lietošanas vai instrumentu pārslodzes rezultātā
 - neapstiprinātu detaļu vai aprīkojuma lietošanas rezultātā
 - jebkādu periodiskus karburatoru regulēšanas darbus vai apkopes tīrīšanu
 - Komponentus (daļas un aksesuārus), kas pakļauti dabīgām nodilumam, ieskaitot, bet neaprobežojoties ar atslētiem pogām, piedziņas sīksnādi, sajūgjiem, krūmu šķēru un pļaujmašīnu asmeņiem, uzkabēm, droseļu trošlēm, oglekļa sukām, elektrības vadiem, tapām, filca aplākšņiem, sakābes tapām, pūtēja ventilatoriem, pūtēja un sūkšanas caurulēm, savākšanas maisiem un sīksnādi, vadotņu plankām, zaģu ķēdēm, šūtenēm, savienojumu uzgaļiem, izsmidzinātāja uzgaļiem, riteņiem, izsmidzinātāja caurulēm, iekšējām spoļēm, ārējām spoļēm, pļaušanas auklām, aizdedzes svečēm, gaisa filtriem, degvielas filtriem, mulčēšanas asmeņiem, utt.
4. Servisa nodrošināšanai, izstrādājums ir jānodod pilnvarotā RYOBI servisa centrā, kas norādīts katrai valstij tālāk minētajā servisa centru adrešu sarakstā. Dažās valstīs jūsu vietējais RYOBI izplatītājs uzņemas izstrādājuma nosūtīšanu uz RYOBI servisa organizāciju. Nosūtīt izstrādājumu uz RYOBI servisa centru, izstrādājuma jābūt droši iepakotam, tas nedrīkst saturēt bīstamas vielas kā degvielu, sūtiņjam jābūt marķētam ar sūtītāja adresi un īsu kļūmes aprakstu.
5. Remonts/nomaiņa šīs garantijas ietvaros ir bezmaksas. Tas nerada garantijas perioda pagarināšanu vai jaunu garantiju. Nominālais daļas vai instrumentu kļūst par mūsu īpašumu. Dažās valstīs piegādes vai pasta izmaksas būs jāapmaksā sūtītājam. Jūsu likumiskās tiesības, kas nodibinās, iegādājoties instrumentu, paliek nemainīgas
6. Šī garantija ir spēkā Eiropas Kopienā, Šveicē, Islandē, Norvēģijā, Līhtenšteinā, Turcijā un Krievijā. Ārpus šīm teritorijām, lūdzu, sazinieties ar jūsu pilnvaroto RYOBI izplatītāju, lai noteiktu, vai ir piemērojama cita garantija.

AUTORIZĒTS APKALPOŠANAS CENTRS

Lai atrastu tuvāko autorizēto apkalpošanas centru, apmeklējiet <http://en.ryobitools.eu/header/service-and-support/service-agents>.

LT „RYOBI®“ GARANTIJOS TAIKIMO SĄLYGOS

Papildant bet kokias įstatymuose numatytas perkant atsiřandančias teises, šiam įrenginiui taikoma toliau nurodyta garantija.

1. Vartotojams suteikiama 24 mėnesių trukmės garantija nuo įrenginio įsigijimo datos. Ši data turi būti nurodyta sąskaitoje faktūroje ar kitame pirkimą įrodančiame dokumente. Šis įrenginys skirtas tik vartotojų rinkai ir asmeniniam naudojimui. Todėl garantija netaikoma, jei įrenginys naudojamas profesinėms ar komercinėms reikmėms.
2. Įsigijus tam tikrus šio įrenginio (AC/DC), suteikiama galimybė pratęsti garantiją, kad ji galiotų ilgiau, nei nurodyta pirmiau, naudojantis registracija interneto svetainėje www.ryobitools.eu. Ar galima pratęsti įrenginio garantiją laikotarpi, aiškiai nurodoma parduotuvėse ir (arba) ant įrenginio pakutės, ir (arba) įrenginio dokumentuose. Galutinis naudotojas turi užregistruoti savo naujai įsigytą įrenginį per 30 dienų nuo įsigijimo datos. Galutinis naudotojas gali registruotis išplėstinei garantijai savo gyvenamojoje šalyje, jei ji nurodyta internetinėje registracijos formoje, kurioje siūloma tokia galimybė. Be to, galutiniai naudotojai turi sutikti su duomenų, kuriuos reikia įvesti internetu, saugojimu ir svetainės naudojimo sąlygomis. Kaip išplėstinės garantijos įrodymas naudojamas registracijos patvirtinimo kvitas, atsiunčiamas el. paštu, ir originali sąskaita faktūra, kurioje nurodyta įsigijimo data.
3. Ši garantija apima visus garantiniui laikotarpiu aptiktus įrenginio trūkumus, atsiradusius dėl gamybos arba medžiaginių defektų nuo įsigijimo datos. Ši garantija ribojama remontu ir (arba) pakeitimu, ji neapima jokių kitų įsipareigojimų, įskaitant (bet tuo neapsiribojant) šalutinius arba antrinius nuostolius. Garantija anuliuojama, jei įrenginys buvo naudojamas netinkamai, naudojamas ne pagal naudojimo instrukciją arba netinkamai prijungtas. Ši garantija netaikoma:
 - jokiai įrenginiui padarytai žalai, kurią lėmė netinkama techninė priežiūra;
 - jokiai įrenginiui, kuris buvo keičiamas ar modifikuojamas;
 - jokiai įrenginiui, kurio originalūs identifikavimo ženklai (prekės ženklas, serijos numeris) buvo sugadinti, pakeisti arba pašalinti;
 - jokiai žalai, kurią lėmė naudojimo instrukcijos nesilaikymas;
 - jokiais CE ženklų nepažymėtais įrenginiais;
 - jokiai įrenginiui, kuri bandė remontuoti nekvalifikuoti asmenys arba kuris buvo remtuojamas be „Technonic Industries“ leidimo;
 - jokiai įrenginiui, kuris buvo prijungtas prie netinkamo maitinimo tinklo (netinkamos srovės, įtampos, dažnio);
 - jokiai įrenginiui, kuris buvo naudojamas su netinkamu degalų mišiniu (degalai, alyva, maišymo santykis);
 - jokiai žalai, kurią lėmė išorinis poveikis (cheminis, fizinis, smūgiai) arba pašalinės medžiagos;
 - dėvimosiomis dalimis;
 - netinkamam naudojimui, įrenginio perkrovai;
 - nepatvirtintų priedų arba dalių naudojimui;
 - Jokiai reguliariam karburatorių reguliavimui arba priežiūros ir valymo darbams
 - Komponentams (dalims ir priedams), kurie natūraliai dėvėsi, įskaitant (bet tuo neapsiribojant) spyruoklines galvutes, pavarų diržus, sankabą, gyvatvorių genėtuvų ar žoliapjovių geležtes, diržus, trosinį drošelį, anglinius šepetėlius, maitinimo kabelį, virbus, fetro poveržles, prikabinimo kaiščius, pūstuvu ventilatorius, pūstuvu ir siurblio vamzdžius, siurblio maišą ir diržus, kreipiamuosius strypus, pjūklų grandines, žarneles, jungiamąsias detales, purškimo antgalius, ratus, purškimo liestukus, vidines rites, išorines rites, pjovimo vielą, uždegimo žvakės, oro filtrus, dujų filtrus, mulčiavimo geležtes ir pan.
4. Prieikite atlikti priežiūros darbus, įrenginį reikia siųsti arba atvežti RYOBI įgaliotajam priežiūros centrui, nurodytam kiekvienos šalies priežiūros centrų adrešų sąraše. Kai kuriose šalyse vietinis RYOBI atstovas siunčia įrenginį RYOBI priežiūros organizacijai. Siunčiant įrenginį RYOBI priežiūros centrui, reikia saugiai jį supakuoti pašalinant visas pavojingas medžiagas, pvz., benzina, nurodyti ant pakutės siuntėjo adresą ir pridėti trumpą gedimo aprašymą.
5. Pagal šią garantiją remontas / keitimas atliekami nemokamai. Tokie veiksmai netaikomi garantijos pratęsimu arba naujo garantinio laikotarpio pradžia. Dalys arba įrenginiai, kuriuos pakeitėme, tampa mūsų nuosavybe. Kai kuriose šalyse pristatymo ir pašto išlaidas turi padengti siuntėjas. Įstatymuose numatytos jūsų teisės, atsiřandančios perkant įrenginį, lieka nepakeistos
6. Ši garantija galioja Europos bendrijoje, Šveicarijoje, Islandijoje, Norvegijoje, Lichtenšteine, Turkiijoje ir Rusijoje. Jei gyvenate ne šiose šalyse, kreipkitės į įgaliotąjį RYOBI atstovą ir sužinokite, ar jums taikoma kita garantija.

ĮGALIOTOS TECHNINĖS PRIEŽIŪROS CENTRAS

Jei norite surasti įgaliotą techninės priežiūros centrą netoli Jūsų, apsilankykite interneto svetainėje <http://en.ryobitools.eu/header/service-and-support/service-agents>.

ET RYOBI® GARANTIINGIMUSED

Lisaks toote ostust tulenevatele seadusjärgsetele õigustele, kehtib tootele ka alltoodud garantiiga.

1. Tarbijatele on garantiiaeg 24 kuud ja algab sellel kuupäeval, mil toode osteti. Selle kuupäeva tõestuseks on vaja arvet või mõnda teist tõendit ostu sooritamise kohta. Toode on mõeldud etarbijatele ainult isiklikuks kasutamiseks. Seega ei kehti garantiid ostu kasutamisel kutsetegevuses või kaubanduslikel eesmärkidel.
2. Teatud osale (vahelduvvoolu/alalisvoolu) aiatööriistadele on võimalik pikendada eespool toodud garantiiaega, kasutades toote registreerimist veebilehel www.ryobitools.eu. Teeva tööriista võimaliku pikendatud garantiiaja kohta on selgelt esile toodud poodides ja/või pakendil / ning see sisaldub toote dokumentatsioonis. Lõpptarbijaja peab registreerima oma uued tööriistad interneti teel 30 päeva jooksul pärast ostupäeva. Lõppkasutaja võib registreerida pikendatud garantiiaja saamise oma elukohariigis, kui veebis olevas registreerimisvormis on see valik lubatud. Lisaks peavad kasutajad andma oma nõusoleku veebis nõutud sisestatavate andmete säilitamiseks ning nad peavad nõustuma tingimustega. E-posti teel saadetav registreerimise kinnitus ja arve originaal, kus on näha ostu sooritamise kuupäev, on pikendatud garantiiaja tõestuseks.
3. Garantii katab kõik defektid toote garantiiaja jooksul, kui ostu kuupäeval ilmnevad talitus- või materjalivead. Garantii piirub toote remondi ja/või väljavahetamisega ning ei sisalda muid kohustusi, muu hulgas ettenägematuid või kaudeid kahjusid. Garantii ei kehti, kui toodet ei ole kasutatud sisetihvtarbijal või kooskõlas kasutusjuhendiga või see on valesti ühendatud. Garantii ei kehti järgmistel põhjustel:
 - toode on kahjustatud vale hoolduse tõttu
 - toode on muudetud
 - toote algupäraseid identifitseerimisjärjestusi (kaubamärk, seerianumber) on rikutud, muudetud või eemaldatud
 - kahju on tekkinud kasutusjuhendi mittejärgimisest
 - tootel puudub CE-märk
 - toode on püüdnud remondida vastavalt kvalifikatsiooni mitte omav isik või ilma firma Techtronic Industries eelneva loata.
 - toode on ühendatud valesse teiteallikasse (voolutugevus, pinge, sagedus)
 - tootega kasutati sobimatut kütusesegu (kütus, õli, õli protsent)
 - välismõjude (keemilised, füüsikalised, elektrilöögid) või võõrkehade tekitatud kahju
 - tavapärase kulumine ja katkised varuosad
 - ebaõige kasutamine, tööriista ülekoormamine
 - heakskiitmata tarvikute või osade kasutamine
 - Karburaatorite korralised reguleerimistööd või hooldus- ja puhastustööd
 - Komponentid (osad ja tarvikud), mida iseloomustab kulumine ja vananemine, muu hulgas puutenupud, kiilrihmad, sidur, heklöökurite või muruniidukite löiketerad, rakmed, gaasitross, süsinikharjad, toitejuhe, freesiterad, vildist seibid, tihvtid, õhuvventilaatorid, puhuri- ja imuritord, kogumiskott ja riimad, juhikud, saeketid, voolikud, liitmikud, pihusti otsakud, rattad, pritsi varred, sisemised poolid, välimised poolid, jõhvud, süüteküünlad, õhufiltrid, gaasifiltrid, multšimisterad jne.
4. Hoolduseks peab toote saatma või viima RYOBI tootjate teenindusse, mille aadressi leiata järgnevat teeninduspunkti nimekirjast vastava riigi alt. Mõnedes riikides võtab kohalik RYOBI edasimüüja enda kanda kohustuse saata toode RYOBI teenindusorganisatsiooni. Toote saatmisel RYOBI teenindusse peab toode olema ohutult pakitud ja ei tohi sisaldada ohtlikke aineid (nt bensiin), kirjas peab olema saatja aadress ja lisatud vea lühikirjeldus.
5. Garantii alusel tehtavad remonditööd / asendamine on tasuta. See ei pikenda garantiit kehtivusaega ega tähistu uue garantiiaja algust. Väljavahetatud osad või tööriistad kuuluvad meile. Mõnedes riikides maksab kätetoimetamis- ja postikulud saatja. Teile jäävad kehtima tööriista ostust tulenevad seadusjärgsed õigused
6. See garantii kehtib Euroopa Ühenduse territooriumil, Šveitsis, Islandil, Norras, Liechtensteinis, Türgis ja Venemaal. Väljaspool neid piirkondi võtke ühendust volitatud RYOBI edasimüüjaga, et teha kindlaks kas kehtib mõni teine garantii.

VOLITATUD HOOLDUSKESKUS

Oma volitatud hoolduskeskuse leiate veebisaidilt <http://en.ryobitools.eu/header/service-and-support/service-agents>.

HR UVJETI PRIMJENE JAMSTVA TVRTKE RYOBI®

Osim svim zakonskim pravima koja proizlaze iz kupnje, ovaj je proizvod pokriven jamstvom kako je navedeno u nastavku.

1. Jamstveno razdoblje za potrošače traje 24 mjeseca i počinje s datumom na koji je proizvod kupljen. Taj datum mora se dokumentirati računom ili drugim dokazom o kupnji. Proizvod je konstruiran i namijenjen samo za privatnu upotrebu korisnika. Stoga se jamstvo ne daje u slučaju profesionalne ili komercijalne uporabe.
2. Postoji mogućnost da se za dio asortimana vrtnih alata pokretanih izmjeničnom strujom (AC/DC) proizvodi gore navedeno jamstveno razdoblje putem registriranja na mrežnom mjestu www.ryobitools.eu. Uvjeti koje je potrebno zadovoljiti kako bi se produžilo jamstveno razdoblje jasno su istaknuli u prodavaonicama i / ili na pakiranju i / nalaze se unutar dokumentacije proizvoda. Krajnji korisnik mora registrirati svoje novo kupljene alate na mreži u roku od 30 dana od datuma kupnje. Krajnji korisnik može se registrirati za produženo jamstvo u svojoj zemlji boravišta ako se nalazi na popisu u mrežnom obrascu za registraciju gdje je ta opcija važeća. Nadalje, krajnji korisnici moraju dati svoj pristanak na pohranu podataka koji su potrebni za mrežni ulazak i moraju prihvatiti odredbe i uvjete. Potvrda o prijemu registracije, koja se šalje putem e-pošte, kao i originalni račun s vidljivim datumom kupnje poslužat će kao dokaz produženog jamstva.
3. Jamstvo pokriva sve nedostatke proizvoda tijekom jamstvenog razdoblja koji su nastali zbog neispravnosti prilikom izrade ili materijala s datumom kupnje. Jamstvo je ograničeno na popravak i/ili zamjenu i ne obuhvaća nikakve druge obveze, uključujući, ali ne ograničavajući se na slučajne ili posljedne štete. Jamstvo ne vrijedi ako je proizvod bio zlorabljivan, korišten u suprotnosti s priručnikom s uputama ili ako je pogrešno spojen. Ovo jamstvo ne primjenjuje se na:
 - svako oštećenje proizvoda koje je rezultat nepravilnog održavanja
 - svaki proizvod koji je izmijenjen ili modificiran
 - svaki proizvod gdje su originalne identifikacijske oznake (zaštitni znak, serijski broj) izbrisane, zamijenjene ili uklonjene
 - svako oštećenje uzrokovano neprikladnim korištenjem priručnika
 - svaki proizvod koji nije CE
 - svaki proizvod koji je pokušao popraviti ne kvalificirani profesionalac ili bez prethodnog odobrenja od strane Techtronic Industries
 - svaki proizvod priključen na nepravilno napajanje energijom (amperi, napon, frekvencija)
 - Svaki proizvod korišten s neodgovarajućom mješavinom (gorivo, ulje, postotak ulja)
 - svako oštećenje uzrokovano vanjskim utjecajima (kemijsko, fiziko, udar) ili stranim stvarima
 - normalno trošenje i habanje rezervnih dijelova
 - nepravilno korištenje, preopterećenje alata
 - korištenje neodobrenog dodatnog pribora ili dijelova
 - rasplinjača nakon 6 mjeseci, podšavanje rasplinjača nakon 6 mjeseci
 - komponente (dijelovi i dodatni pribor) koji su predmet prirodnog trošenja i habanja, uključujući no ne ograničavajući se na gumbe za otpuštanje, pogonske remene, spojku, oštrice trimera za grmlje ili kosilicu, kope, sajle gasa, ugljene četke, kabele za napajanje, nožve, podloške, ztike za zglobnu vezu, ventilatore puhalice, cijevi za ispuhavanje i usisavanje, vakuumske vrećice i trake, vodilice, lance pile, crijeva, priključene elemente, mlaznice za raspršivanje, kotače, koplja za raspršivanje, unutarnje kolote, vanjske kaleme, flaksove, svjećice, filtre za zrak, filtre za plin, oštrice za usitnjavanje itd.
4. Za potrebe servisiranja, proizvod se mora poslati ili odnijeti u ovlaštenu servisnu postaju tvrtke RYOBI navedenu na sljedećem popisu s adresama servisnih postaja u svakoj zemlji. U nekim zemljama, vaš lokalni RYOBI zastupnik obvezuje se da će poslati proizvod u servisnu organizaciju tvrtke RYOBI. Kada se proizvod šalje u neku servisnu postaju tvrtke RYOBI, proizvod se mora sigurno pakirati bez jednog od opasnih sadržaja kao što je benzin, na njemu mora pisati adresa pošiljatelja i mora biti popraćen kratkim opisom kvara.
5. Popravak / zamjena pod ovim jamstvom su besplatni. Oni ne predstavljaju produženje ili novi početak jamstvenog razdoblja. Zamijenjeni dijelovi ili alati postaju naše vlasništvo. U nekim državama troškove isporuke ili poštarinu mora platiti pošiljatelj. Vaša zakonska prava koja proizlaze iz kupnje alata ostaju nepromijenjena
6. Ovo jamstvo vrijedi u Europskoj uniji, Švicarskoj, Islandu, Norveškoj, Lichtenštajnu, Turskoj i Rusiji. Izvan tih područja vaša molimo da se obratite svojem ovlaštenom zastupniku tvrtke RYOBI kako biste utvrdili primjenjuje li se drugo jamstvo.

OVLÁŠTENI SERVISNI CENTAR

Za pronalazanje ovlaštenog servisnog centra pored vas posjetite <http://en.ryobitools.eu/header/service-and-support/service-agents>.

SL POGOJI ZA VELJAVNOST GARANCIJE RYOBI®

Poleg morebitnih zakonsko določenih pravic, ki izvirajo iz nakupa, za ta izdelek velja spodaj navedena garancija.

- Garancijsko obdobje je za potrošnike 24 mesecev in začne teči z dnem nakupa izdelka. Ta datum mora biti dokumentiran z računom ali drugim dokazilom o nakupu. Izdelek je zasnovan in namenjen izključno za potrošniško zasebno uporabo. V primeru strokovne oziroma komercialne uporabe izdelka garancija ne velja.
- Obstaja možnost podaljšanja garancije na del naših ponudbe vrtnih orodij (AC/DC) prek obdobja garancije, opisanega zgoraj, s pomočjo registracije na spletnem mestu www.ryobitools.eu. Ustreznost orodij za podaljšanje garancijskega obdobja je jasno prikazana v trgovinah in/ali na embalaži oziroma je navedena v dokumentaciji izdelka. Končni uporabnik mora registrirati svoje novo orodje na spletu v 30 dneh po datumu nakupa. Končni uporabnik lahko registrira podaljšano garancijo v svoji državi bivanja, če je na obrazcu spletne registracije navedeno, da ta možnost velja za njegovo državo. Poleg tega morajo končni uporabniki podati svoje soglasje za shranjevanje podatkov, ki so potrebni za spletni dostop in morajo sprejeti pogoje in določila uporabe spletnega mesta. Potrdilo o registraciji, ki ga pošljemo re e-pošte, in originalni račun, ki prikazuje datum nakupa, služita kot dokazilo o podaljšani garanciji.
- Garancija krije vse okvare izdelka, do katerih pride v garancijskem obdobju zaradi napak v izdelavi ali materialu, ki so bile prisotne ob datumu nakupa. Garancija je omejena na popravilo in/ali zamenjavo in ne vključuje nobenih drugih obveznosti, med drugim vključno z naključno ali posledično škodo. Garancija ne velja, če je bil izdelek napačno uporabljen, uporabljen v nasprotju z navodili iz priročnika za uporabo ali če ni bil pravilno povezan. Ta garancija ne velja za:
 - škodo na izdelku, ki je posledica neustreznega vzdrževanja
 - spremenjen ali prilagojen izdelek
 - izdelek, katerega originalna identifikacijska oznaka (blagovna znamka, serijska številka) je bil poškodovan, spremenjena ali odstranjena
 - škodo, ki je posledica neupoštevanja navodil iz priročnika za uporabo
 - izdelek, ki nima oznake CE
 - izdelek, ki ga je poskušal opraviti nequalificiran strokovnjak ali ki je bil popravljen brez predhodne odobritve s strani družbe Techtronic Industries.
 - izdelek, ki je bil povezan na neustrezno napajanje (amperska moč, napetost, frekvenca)
 - izdelek, ki je bil uporabljen z neustrezno mešanico goriva (gorivo, olje, odstotek olja)
 - škodo, ki jo povzročijo zunanji vplivi (kemični, fizični, mehanski) ali tuje snovi
 - rezervne dele, ki so podvrženi običajni uporabi
 - neprimerno uporabo, preobremenitev orodja
 - uporabo neodobrenih dodatkov ali delov
 - Vsako redno prilagajanje ali vzdrževalno čiščenje uplinjačev
 - Komponente (sestavni in rezervni deli), ki so podvrženi običajni obrabi, med drugim vključno z gumbi odbijača, pogonskimi jermeni, sklopko, rezili obrezovalnikov za žive meje ali kosilnic za trato, nosilnimi pasovi, kabli, dušilnimi ventili, oglikovimi krtačami, napajalnimi kabli, zobci, tesnili iz filca, veznimi zatiči, ventilatorji pihalnika, cevni pihalnika in sesalnika, vrečko in pasovi sesalnika, vodilnimi palicami, verigami motorne žage, cevni, priključki, razpršilnimi šobami, kolesi, razpršilnimi palicami, notranjimi kolesci, zunanji motki, rezalnimi vrvmici, vžigalnimi svečkami, zračnimi filtri, plinskimi filtri, rezili za mulčenje itd.
- Za servisiranje morate izdelek poslati ali prinesiti v pooblaščen servisni center družbe RYOBI, ki je naveden za vsako državo in naslednjem seznamu naslovov servisnih centrov. V nekaterih državah se vaš lokalni posrednik družbe RYOBI obveže, da bo poslal izdelek na servis družbe RYOBI. Ko pošiljate izdelek v servisni center družbe RYOBI, mora biti izdelek varno zapakiran in ne sme vsebovati nobenih nevarnih snovi, kot je npr. bencin, opremljen pa mora biti z naslovom pošiljatelja in vsebovati kratak opis napake.
- Popravilo/zamenjava v skladu s to garancijo sta brezplačni storitvi. To pa ne predstavlja podaljšanja ali ponovnega začetka garancijskega obdobja. Zamenjani deli ali orodja postanejo naša last. V nekaterih državah stroške dostave ali poštno plača pošiljatelj. Vaše zakonsko določene pravice, ki izvirajo iz nakupa orodja, ostajajo nespremenjene.
- Ta garancija velja v Evropski skupnosti, Švici, Islandiji, na Norveškem, v Lihtenštajnu, v Turčiji in Rusiji. Izven teh območij se obrnite na svojega pooblaščenega posrednika izdelkov RYOBI, dealer ki vam bo povedal, ali velja kakšna druga garancija.

POOBLAŠČEN SERVISNI CENTER

Pooblaščen servisni center blizu vas poiščite na <http://en.ryobitools.eu/header/service-and-support/service-agents>.

SK ZÁRUČNÉ PODMIENKY RYOBI®

Na tento výrobok sa okrem všetkých zákonných práv, vyplývajúcich z nákupu, vzťahuje záruka v nasledovnom znení.

- Záručná doba pre spotrebiteľa je 24 mesiacov a začína plynúť odo dňa, kedy bol výrobok zakúpený. Tento dátum musí byť doložený faktúrou alebo iným dokladom o zakúpení. Výrobok je navrhnutý a určený pre spotrebiteľov a len na súkromné používanie. Preto sa záruka sa neposkytuje v prípade použitia na profesionálne a komerčné účely.
- V prípade záhradného náradia (na striedavý/jednosmerný prúd AC/DC), existuje možnosť predĺženia záručnej doby oproti záručnej dobe, uvedenej vyššie, s využitím on-line registrácie na webovej stránke www.ryobitools.eu. Označenie na nárdí o nároku na predĺženie záručnej doby je zreteľne uvedené v obchodoch a/alebo na obale a je uvedené v dokumentácii k výrobku. Koncový používateľ musí zaregistrovať svoje novozískané náradie on-line do 30 dní odo dňa nákupu. Koncový používateľ sa môže zaregistrovať na predĺženie záruky v krajine svojho bydliska, ak je v on-line registračnom formulári uvedená táto možnosť. Ďalej musia koncoví používatelia ešte dať svoj súhlas k uchovávaní údajov, ktoré je potrebné zadať on-line a musia súhlasiť s podmienkami. Potvrdenie o prijatí registrácie, ktorá je zaslaná e-mailom a originálna faktúra, v ktorej je uvedený dátum nákupu, slúžia ako dôkaz o predĺženej záruke.
- Záruka sa vzťahuje na všetky poruchy výrobku v záručnej dobe, spôsobené chybami materiálu alebo spracovania k dátumu nákupu. Táto záruka je omezená na opravu a/alebo výmenu a nezahŕňa žiadne ďalšie povinnosti, vrátane, okrem iných, náhodné alebo následné škody. Táto záruka je neplatná, ak bol výrobok nesprávne používaný, bol používaný v rozpore s návodom na použitie alebo bol nesprávne zapojený. Táto záruka sa nevzťahuje na:
 - akékoľvek poškodenie výrobku, ktoré bolo spôsobené nesprávnou obsluhou
 - akýkoľvek výrobok, ktorý bol zmenený alebo upravený
 - akýkoľvek výrobok, na ktorom bolo poškodené, upravené alebo odstránené identifikačné označenie (ochranná známka, výrobné číslo)
 - akékoľvek škody, spôsobené nedodržaním návodu na obsluhu
 - akýkoľvek výrobok, ktorý neobsahuje označenie CE
 - akýkoľvek výrobok, ktorý sa pokúšal opraviť nequalifikovaný odborník alebo bol opravovaný bez predchádzajúceho súhlasu zo strany spoločnosti Techtronic Industries.
 - akýkoľvek výrobok, pripojený k nesprávnemu napájacímu zdroju (ampéry, napätie, frekvencia)
 - akýkoľvek výrobok, používaný s nesprávnou palivovou zmesou (palivo, olej, percento oleja)
 - akékoľvek poškodenia, spôsobené vonkajšími vplyvmi (chemickými, fyzikálnymi, nárazmi) alebo cudzorodými látkami
 - bežné opotrebovanie náhradných dielov
 - nehodné používanie, preťažovanie nástroja
 - používanie neschváleného príslušenstva a dielov
 - Akékoľvek pravidelné úpravy alebo čistenie karburátorov, vykonávaných vrámi údržby
 - Súčiastky (diely a príslušenstvo), ktoré podliehajú prirodzenému opotrebeniu, okrem iných, otočné gombíky, hňacie remene, spojka, nože na nožnice na živý plot alebo kosačky na trávu, popruhy, lanko škrtiacej klapky, uhľiky, napájací kábel, radičky, plstené podložky, závesné kince, lopatky fúkačov, trubice vysávača a fúkača, vak do vysávača a popruhy, vodiace lišty, reťazové pily, hadice, spojovacie armatúry, trysky, kolesá, striekacie rúrky, vnútorné cievky, vonkajšie cievky, žacie lanká, zapalovacie sviečky, vzduchové filtre, benzínové filtre, mulčovacie nože atď.
- Na opravu musí byť výrobok odoslaný alebo doručený do autorizovaného servisného strediska RYOBI, uvedeného pre každú krajinu v nasledovnom zozname adries servisných stredísk. V niektorých krajinách miestny zástupca RYOBI preberá na seba záväzok zaslať tovar do servisnej organizácii RYOBI. Pri odosielaní výrobku do servisného strediska RYOBI je potrebné výrobok bezpečne zabaliť bez akéhokoľvek nebezpečného obsahu, ako je benzín, s vyznačením adresy odosiadateľa, s krátkym popisom poruchy.
- Oprava/výmena je vrámi tejto záruky bezplatná. Neznamená to predĺženie záruky alebo spustenie novej záručnej doby. Vymenené diely alebo nástroje sa stávajú našim vlastníctvom. V niektorých krajinách náklady na odoslanie alebo poštné musí zaplatiť odosiadateľ. Vaše zákonné práva, vyplývajúce z nákupu náradia, zostávajú nedotknuté
- Táto záruka platí v Európskej únii, Švajčiarsku, Islande, Nórsku, Lihtenštajnsku, Turesku a Rusku. Ak sa nachádzate mimo týchto oblastí, obráťte sa na autorizovaného predajcu RYOBI na určenie, či sa dá uplatniť iná záruka.

AUTORIZOVANÉ SERVISNÉ CENTRUM

Ak chcete nájsť najbližšie autorizované servisné centrum, navštívte stránku <http://en.ryobitools.eu/header/service-and-support/service-agents>.

BG УСЛОВИЯ ЗА ВАЛИДНОСТ НА ГАРАНЦИЯТА НА RYOBI®

В допълнение към законоустановените права, произтичащи от покупката, този продукт е обхванат от гаранция, както е изложено по-долу.

- Гаранционният срок е 24 месеца за клиенти и започва да тече от деня на закупуване на продукта. Тази дата трябва да се докаже с фактура или друго доказателство за покупка. Продуктът е изработен и предназначен само за потребителска и лична употреба. Следователно не се дава гаранция в случай на използване от професионалисти или с търговска цел.
 - Съществува възможност за удължаване на гаранционния срок за част от диалогана на гаранцията на градински инструменти (AC/DC) след изтичането на описания тук чрез регистрация на уеб сайта www.ryobitools.eu. В магазините и/или на опаковката или вътре в документацията на продукта е показано ясно дали инструментът отговаря на условията за такова удължаване на гаранционния срок. Крайният потребител трябва да регистрира своите новопридобити инструменти онлайн в рамките на 30 дни от датата на покупка. Крайният потребител може да се регистрира за удължена гаранция в държавата си на пребиваване, ако е посочена във формуляра за онлайн регистрация като място, където тази опция е валидна. Освен това крайните потребители трябва да дадат съгласието си за съхранение на данните, които са задължителни за ползване онлайн, и трябва да приемат общите условия. Полученото потвърждение за регистрация, изпратено по електронна поща, и оригиналната фактура, показваща датата на покупка, ще служат като доказателство за удължената гаранция.
 - Гаранцията покрива всички дефекти на продукта по време на гаранционния срок, които се дължат на проблеми в изработката или материалите към момента на покупката. Гаранцията е ограничена до ремонт и/или замяна и не включва други задължения, включително, но не само, случайни или косвени щети. Гаранцията е невалидна, ако продуктът е използван неправилно или в противоречие с ръководството с инструкции, както и ако е свързан неправилно. Тази гаранция не важи за:
 - щети по продукта в резултат на неправилна профилактика
 - продукти, които са били изменени или модифицирани
 - продукт, при който оригиналните маркировки за идентификация (търговска марка, сериен номер) са изтрити, променени или премахнати
 - повреда, причинена от неспазване на ръководството с инструкции
 - продукт без CE маркировка
 - продукт, за който е направен опит за ремонт от невалифициран специалист или без предварително разрешение от Techtronic Industries.
 - продукт, свързан към неподходящо електросъхранение (ампераж, волтаж, честота)
 - продукт, използван с неподходяща горивна смес (гориво, масло, процент масло)
 - щети, причинени от външни влияния (химични, физични, удари) или чужди вещества
 - нормално износване на резервни части
 - неподходяща употреба, претоварване на инструмента
 - използване на неодобриени аксесоари или части– Всякакви периодични настройки или почистване с цел извършване на поддръжка на карбуратори
 - Компоненти (части и аксесоари), подложени на естествено износване, включително, но не само, копчета за тласкане, задвижващи ремъци, съединители, остриета на ножици за жив плет или косачки за трева, пресрама, кабелен дросел, карбонови четки, ذخарнавац кабел, остриета, филцови шабви, осигурителни шифтове, вентилатори на уреди за обдухване, тръби за обдухване и всмукване, торба за отпадъци и ремъци, водещи шини, вериги за триони, маркучи, фитинги на конектори, дюзи, копела, пръскалки, вътрешни и външни макири, режещо влакно, запалителни свещи, въздушни филтри, горивни филтри, остриета за мулчиране и др.
- За обслужване продуктът трябва да се изпрати или занесе на оторизиран сервиз на RYOBI, посочен за всяка държава в следния списък с адреси на сервизи. В някои държави местният търговец на RYOBI поема отговорността да изпрати продукта до сервизен център на RYOBI. При изпращане на продукт до сервиз на RYOBI той трябва да е опакован безопасно без опасност съдържание, напр. бензин, да е маркиран с адреса на подателя и придружен от кратко описание на повредата.
 - Ремонтът/замяната по силата на тази гаранция са безплатни. Те не водят до удължаване или подновяване на гаранционния срок. Сменените части или инструменти стават наша собственост. В някои държави таксите за доставка или изпращане трябва да се платят от подателя. Законоустановените ви права, произтичащи от закупуването на инструмента, остават незасегнати
 - Ремонтът/замяната е валидна в Европейската общност, Швейцария, Исландия, Норвегия, Лихтенщайн, Турция и Русия. Извън тези области се свържете с упълномощения търговец на RYOBI, за да се установи дали е приложима друга гаранция.

УПЪЛНОМОЩЕН СЕРВИЗЕН ЦЕНТЪР

За да намерите упълномощен сервизен център близо до вас, посетете <http://en.ryobitools.eu/header/service-and-support/service-agents>.

UK ГАРАНТИЙНИ УМОВИ ДЛЯ RYOBI®

Окрім загалом установлених законом прав, що стосуються покупки, цей пристрій покривається гарантією, що зазначено нижче.

- Гарантійний період для споживачів складає 24 місяці і починається з моменту придбання цього пристрою. Ця дата повинна бути задокументована у гарантійному талоні або чеку, що підтверджує покупку. Цей пристрій був розроблений і призначений тільки для споживчого та приватного використання. У разі професійного або комерційного використання цього пристрою, він втрачає гарантію.
 - Існує можливість продовжити гарантійний період, понад період описаний вище, для частини лінійки садових інструментів (перемінного/ постійного струму) за допомогою реєстрації на сайті www.ryobitools.eu. Пристрої, які мають право на подовження гарантійного періоду, мають чіткі позначки щодо цього в магазинах і / або на упаковці / та документатії до пристрою. Кінцевий користувач повинен зареєструвати його/її новопридбаний пристрій онлайн протягом 30 днів з дати покупки. Кінцевий користувач може зареєструватися для подовження гарантійного періоду в своїй країні постійного перебування, якщо вона є доступною у відповідній опції онлайн форми реєстрації. Крім того, кінцеві користувачі повинні дати свою згоду на зберігання даних, які необхідні для введення онлайн, а також вони повинні прийняти правила та умови. Отримання підтвердження реєстрації, яке відправляється на адресу електронної пошти, та оригінал гарантійного талона із зазначеною датою покупки буде слугувати доказом подовженої гарантії.
 - Гарантія поширюється на всі дефекти пристрою протягом гарантійного терміну щодо недотримання стандартів виробництва або матеріалів на дату придбання. Гарантія обмежується ремонтом та/або заміною, та не включає в себе будь-яких інших зобов'язань, в тому числі, але необмежена у разі випадкових та подальших пошкоджень. Гарантія не діє, якщо пристрій використовувався неналежним чином, всупереч інструкції з експлуатації або був неправильно підключений до мережі. Дана гарантія не поширюється на:
 - пристрої, що були пошкоджені у результаті неправильного технічного обслуговування;
 - пристрої, що були видозмінені або модифіковані;
 - пристрої, оригінальні ідентифікаційне (товарний знак, серійний номер) маркування яких було пошкоджене, змінене або видалено;
 - будь-які пошкодження, заподіяні недотриманням інструкції з експлуатації;
 - пристрої, що не мають маркування CE;
 - пристрої, що були відремонтовані невалідованим фахівцем або за відсутності попереднього дозволу від Techtronic Industries;
 - пристрої, підключені до невідповідного джерела живлення (сила току, напруження, частота);
 - пристрої, що використовувались із невідповідною паливною сумішшю (паливом, оливою, відсотковою часткою оливи);
 - будь-які пошкодження спричинені зовнішнім впливом (хімічними, фізичним, стрибком напруги) або сторонніми речовинами;
 - нормальну амортизацію запасних частин;
 - невідповідне використання, перевантаження пристрою;
 - використання не підтверджених запасних частин або аксесуарів;
 - Будь-які періодичні коригування або технічне очищення карбураторів– Компоненти (частини та аксесоари) з урахуванням нормального зношування, враховуючи але без обмеження на імпульсні кнопки, реміні приводу, зчеплення, леза куцоріза або газонокосарки, реміні, триси дротельного клапану, вугільні щітки, шнури живлення, зубці, фетрові підкладки, зчіпні штирі, вентилятори повітрорудки, трубки пилососа та повітрорудки, вакуумні мішки та накладки, напрямні, панцюги, гнучкі шланги, з'єднувальні фітинги, розпилювальні насадки, колеса, жорсткі сопла, внутрішні котушки, зовнішні золотники, ріжучу волосінку, свічки запалення, повітряні фільтри, протигазові фільтри, мультисовальні леза, т.д.
- Для обслуговування, пристрій має бути відремонтований або поданий до одного з авторизованих сервісних центрів RYOBI, які перелічені для кожної країни у наступному переліку адрес сервісних центрів. У деяких країнах місцевий дилер RYOBI зобов'язується відправити пристрій до сервісного центру RYOBI. При відправленні пристрою до сервісного центру RYOBI, пристрій має бути надійно упакуваний для будь-якого безбезпечного вмісту, наприклад бензину, з позначеною адресою відправника та супроводжуватися коротким описом несправності.
 - Ремонт / заміна відповідно до цієї гарантії здійснюється безкоштовно. Це не є основою для подовження або початку нового гарантійного періоду. Замінені частини або прилади переходять до власності компанії. У деяких країнах вартість доставки або поштові витрати повинні бути сплачені відправником. Загально встановлені права покупця на пристрій залишаються незмінними
 - Ця гарантія діє в Європейському Союзі, Швейцарії, Ісландії, Норвегії, Лихтенштейні, Туреччині та Росії. За межами цих зон, будь ласка, зверніться до офіційного дилера RYOBI, щоб визначити, чи застосовується інша гарантія.

АВТОРИЗОВАНІ СЕРВІСНІ ЦЕНТРИ

Для отримання оновленого переліку авторизованих сервісних центрів, відвідайте <http://en.ryobitools.eu/header/service-and-support/service-agents>.

TR RYOBI® GARANTİ UYGULAMA KOŞULLARI

Alımdan kaynaklanan yasal haklara ek olarak, ürün aşağıda belirtilen garanti kapsamındadır.

1. Tüketiciler için 24 ay olan garanti süresi, ürünün satın alındığı tarihte başlar. Bu tarihin bir fatura ya da alım kantıtyla belgelenmesi gerekir. Ürün sadece tüketim ve özel kullanım için geliştirilmiş ve adanmıştır. Bu nedenle, profesyonel ya da ticari kullanım halinde garanti kapsamı sağlanmaz.
2. Bahçe aletlerinin bir bölümü (AC/DC) için www.ryobitools.eu sayfasındaki kayıt işlemini kullanarak garantinin belirtilen sürenin ötesine uzatma imkanı mevcuttur. Aletlerin garanti süresinin uzatılmasına uygun olup olmadığı mağazalarda ve / veya ambalajda açıkça belirtilmiş olup, ürün dokümantasyonunda gösterilir. Son kullanıcının yeni aldığı aletleri satın alma tarihini izleyen 30 gün içinde kaydetmesi gerekir. Son kullanıcı ikamet ettiği ülkede, bu seçeneğin geçerli olduğu çevrimiçi kayıt formunda belirtilmişse, uzatılmış garanti süresi için kayıt yaptırabilir. Dahası, son kullanıcıların çevrimiçi giriş için gerekli verilerin kaydedilmesine izin vermesi ve hüküm ve koşulları kabul etmelidir. E-posta ile gönderilen kayıt teyit makbuzu ve alım tarihini gösteren orijinal fatura uzatılmış garantinin kanıtı olarak değerlendirilir.
3. Garanti, ürünün alım tarihindeki işçilik ve malzeme kusurları nedeniyle garanti süresi içinde oluşacak bütün arızalarını kapsar. Bu garanti onarım ve değiştirmeyle sınırlı olup, tesadüfi ya da dolaylı hasarlar da dahil, ancak bunlarla kısıtlı olmayan başka hiçbir taahhüdü kapsamaz. Garanti, ürünün kötü, kullanıcı kılavuzuna aykırı kullanılmış ya da yanlış bağlanmış olması halinde geçerli değildir. Bu garanti aşağıdakileri kapsamaz:
 - üründe, yanlış bakımdan kaynaklanan herhangi bir hasar
 - değiştirilmiş ya da modifiye edilmiş herhangi bir ürün
 - orijinal tanıtmış işaretleri (ticari marka, seri numarası) silinmiş, değiştirilmiş ya da kaldırılmış herhangi bir ürün
 - kullanma kılavuzuna uymamaktan kaynaklanmış herhangi bir hasar
 - herhangi bir AT dışı ürün
 - kalifiye olmamış personel tarafından ya da önceden Techtronic Industries onayı alınmadan onarılmış herhangi bir ürün.
 - uygunsuz güç kaynağına (amper, voltaj, frekans) bağlanmış herhangi bir ürün
 - uygunsuz bir yakıt karışımıyla (yakıt, yağ, yap yüzdesi) kullanılmış herhangi bir ürün
 - harici etkenlerden (kimyasal, fiziksel, darbe) veya yabancı cisimlerden kaynaklanan her türlü hasar
 - normal aşınır ve yıpranır aksam
 - uygunsuz kullanım, aletin aşırı yüklenmesi
 - onaysız aksesuar veya parça kullanımı
 - Karbüratörlere uygulanacak her türlü periyodik ayar, bakım veya temizlik
 - Darbe Düğmeleri, Tahrik Kayışları, Kavrama, Çit Budama ya da Çim Biçme Makinelerinin Bıçakları, Kayış Koşumlar, Kablo Gaz, Kömür Fırçalar, Güç Kablo, Dişler, Keçe Rondelalar, Bağlantı Pimleri, Üfleyci Pervaneleri, Üfleyci ve Vakum Boruları, Vakum Torbası ve Kayışları, Kılavuz Çubuklar, Zincir Testere, Hortumlar, Konektör bağlantıları, Püskürtme Memeleri, Çarklar, Püskürtme Çubukları, Dahili Makaralar, Harici Makaralar, Kesme Telleri, Bujiler, Hava Filtreleri, Gaz Filtreleri, Malçlama Bıçakları vb. gibi parçaları kapsayan, ancak bunlarla sınırlı olmayan, aşınma ve yıpranmaya tabi bileşenler (aksam ve aksesuarlar).
4. Ürünün servis için her ülkede aşağıdaki servis istasyonları adres listesinde yer alan yetkili bir RYOBI servis istasyonuna gönderilmesi ya götürülmesi gereklidir. Bazı ülkelerde, yerel RYOBI distribütörünüz ürünü RYOBI servis teşkilatına göndermeyi üstlenir. Bir ürün bir RYOBI servis istasyonuna gönderilirken, ürünün güvenli bir biçimde ambalajlanması, benzin gibi tehlikeli maddeler içermemesi, gönderenin adresini taşıması ve arızanın kısa bir açıklamasını içermesi gerekir.
5. Bu garanti kapsamında yapılacak onarım / değişiklik ücretsizdir. Garanti süresinin uzatılması ya da yeniden başlatılması anlamına gelmez. Değiştirilmiş parçalar veya aletler bize ait olur. Bazı ülkelerde teslim ücretleri veya posta giderlerinin gönderici tarafından ödenmesi gerekir. Alımdan kaynaklanan yasal haklarınız etkilenmez.
6. Bu Garanti Avrupa Topluluğu, İsviçre, İzlanda, Norveç, Liechtenstein, Türkiye ve Rusya'da geçerlidir. Bu alanların dışında, başka bir garantinin geçerli olup olmadığını belirlemek için lütfen yetkili RYOBI distribütörünüzle irtibata geçin.

YETKİLİ SERVİS MERKEZİ

En yakın yetkili servis merkezini öğrenmek için <http://en.ryobitools.eu/header/service-and-support/service-agents> sitesine girin.

EN EC DECLARATION OF CONFORMITY

Techtronic Industries GmbH
Max-Eyth-Straße 10, 71364 Winnenden, Germany

Herewith we declare that the product

Electric Line Trimmer
Brand: RYOBI
Model number: RLT8038
Serial number range: 44467902000001 - 44467902999999

is in conformity with the following European Directives and harmonised standards
2006/42/EC, 2014/30/EU, 2000/14/EC, 2005/88/EC, 2011/65/EU, EN 60335-1:2012+A11:2014,
EN 50636-2-91:2014, EN 55014-1:2017, EN 55014-2:2015
EN 61000-3-2:2014, EN 61000-3-3:2013, EN 50581:2012

Measured sound power level: 93.8 dB(A)
Guaranteed sound power level: 96 dB(A)

Conformity assessment method to Annex VI Directive 2000/14/EC amended by 2005/88/EC.

The notified body involved:
Société Nationale de Certification et d'Homologation (Notified Body 0499)
11, route de Luxembourg L-5230 Sandweiler

Andrew John Eyre (BEng, CEng, MIET)
Vice President, Regulatory & Safety
Winnenden, Oct. 30, 2017

Authorised to compile the technical file:
Alexander Krug, Managing Director
Techtronic Industries GmbH
Max-Eyth-Straße 10, 71364 Winnenden, Germany

CE

DE EC KONFORMITÄTSERKLÄRUNG

Techtronic Industries GmbH
Max-Eyth-Straße 10, 71364 Winnenden, Germany

Hiermit erklären wir, dass die Produkte

Elektrischer Rasentrimmer
Marke: RYOBI
Modellnummer: RLT8038
Seriennummernbereich: 44467902000001 - 44467902999999

mit den folgenden europäischen Richtlinien und harmonisierten Normen übereinstimmt

2006/42/EC, 2014/30/EU, 2000/14/EC, 2005/88/EC, 2011/65/EU, EN 60335-1:2012+A11:2014,
EN 50636-2-91:2014, EN 55014-1:2017, EN 55014-2:2015
EN 61000-3-2:2014, EN 61000-3-3:2013, EN 50581:2012

Gemessener Schalleistungspegel: 93.8 dB(A)
Garantierter Schalleistungspegel: 96 dB(A)

Konformitätsbeurteilungsmethode zu Anhang VI Richtlinie 2000/14/EC wie durch 2005/88/EC.

Benannte Stelle:
Société Nationale de Certification et d'Homologation (Benannte Stelle 0499)
11, route de Luxembourg L-5230 Sandweiler

Andrew John Eyre (BEng, CEng, MIET)
Vizepräsident, Vorschriften und Sicherheit
Winnenden, Oct. 30, 2017

Autorisiert die technische Datei zu erstellen:
Alexander Krug, Geschäftsführer
Techtronic Industries GmbH
Max-Eyth-Straße 10, 71364 Winnenden, Germany

CE

FR DÉCLARATION DE CONFORMITÉ EC

Techtronic Industries GmbH
Max-Eyth-Straße 10, 71364 Winnenden, Germany

Déclarons par la présente que le produit

Coupe bordures électrique
Marque: RYOBI
Numéro de modèle: RLT8038
Étendue des numéros de série: 44467902000001 - 44467902999999

est conforme aux Directives Européennes et Normes Harmonisées suivantes
2006/42/EC, 2014/30/EU, 2000/14/EC, 2005/88/EC, 2011/65/EU, EN 60335-1:2012+A11:2014,
EN 50636-2-91:2014, EN 55014-1:2017, EN 55014-2:2015
EN 61000-3-2:2014, EN 61000-3-3:2013, EN 50581:2012

Niveau de puissance sonore mesuré: 93.8 dB(A)
Niveau de puissance sonore garanti: 96 dB(A)

Méthode d'évaluation de conformité de l'annexe VI Directive 2000/14/EC modifiée 2005/88/EC.

Organisme notifié impliqué:
Société Nationale de Certification et d'Homologation (L'organisme notifié 0499)
11, route de Luxembourg L-5230 Sandweiler

Andrew John Eyre (BEng, CEng, MIET)
Vice-Président, Réglementation & Sécurité
Winnenden, Oct. 30, 2017

Autorisé à rédiger le dossier technique:
Alexander Krug, Directeur Général
Techtronic Industries GmbH
Max-Eyth-Straße 10, 71364 Winnenden, Germany

CE

ES DECLARACIÓN EC DE CONFORMIDAD

Techtronic Industries GmbH
Max-Eyth-Straße 10, 71364 Winnenden, Germany

Por la presente declaramos que los productos

Cortabordes eléctrico
Marca: RYOBI
Número de modelo: RLT8038
Intervalo del número de serie: 44467902000001 - 44467902999999

se encuentra en conformidad con las siguientes Directivas Europeas y normas armonizadas

2006/42/EC, 2014/30/EU, 2000/14/EC, 2005/88/EC, 2011/65/EU, EN 60335-1:2012+A11:2014,
EN 50636-2-91:2014, EN 55014-1:2017, EN 55014-2:2015
EN 61000-3-2:2014, EN 61000-3-3:2013, EN 50581:2012

Nivel de potencia acústica medido: 93.8 dB(A)
Nivel de potencia acústica garantizado: 96 dB(A)

Método de evaluación de conformidad con el anexo VI Directiva 2000/14/EC modificada por la 2005/88/EC.

El organismo notificado implicado:
Société Nationale de Certification et d'Homologation (Organismo notificado 0499)
11, route de Luxembourg L-5230 Sandweiler

Andrew John Eyre (BEng, CEng, MIET)
Vicepresidente, Director General de Normativa y Seguridad
Winnenden, Oct. 30, 2017

Autorizado para elaborar la ficha técnica:
Alexander Krug, Administrador Ejecutivo
Techtronic Industries GmbH
Max-Eyth-Straße 10, 71364 Winnenden, Germany

CE

IT DICHIARAZIONE DI CONFORMITÀ EC

Techtronic Industries GmbH
Max-Eyth-Straße 10, 71364 Winnenden, Germany

Si dichiara con la presente che il prodotto

Tagliabordi elettrico a filo
Marca: RYOBI
Numero modello: RLT8038
Gamma numero seriale: 44467902000001 - 44467902999999

è conforme alle seguenti Direttive Europee e ai seguenti standard armonizzati
2006/42/EC, 2014/30/EU, 2000/14/EC, 2005/88/EC, 2011/65/EU, EN 60335-1:2012+A11:2014,
EN 50636-2-91:2014, EN 55014-1:2017, EN 55014-2:2015
EN 61000-3-2:2014, EN 61000-3-3:2013, EN 50581:2012

Livello di potenza acustica misurato: 93.8 dB(A)
Livello di potenza sonora garantita: 96 dB(A)

Metodo di valutazione sulla conformità all'allegato VI Direttiva 2000/14/EC modificata con la 2005/88/EC.
Ente notificato responsabile:
Société Nationale de Certification et d'Homologation (L'ente notificato 0499)
11, route de Luxembourg L-5230 Sandweiler

Andrew John Eyre (BEng, CEng, MIET)
Vice-Presidente, Dipartimento Regolazioni & Sicurezza
Winnenden, Oct. 30, 2017

Autorizzato per compilare il file tecnico:
Alexander Krug, Direttore Amministrativo
Techtronic Industries GmbH
Max-Eyth-Straße 10, 71364 Winnenden, Germany

CE

PT DECLARAÇÃO EC DE CONFORMIDADE

Techtronic Industries GmbH
Max-Eyth-Straße 10, 71364 Winnenden, Germany

Pelo presente declaramos que os produtos

Aparador Eléctrico
Marca: RYOBI
Número do modelo: RLT8038
Intervalo do número de série: 44467902000001 - 44467902999999

se encontra em conformidade com as seguintes Directivas Europeias e normas harmozadas
2006/42/EC, 2014/30/EU, 2000/14/EC, 2005/88/EC, 2011/65/EU, EN 60335-1:2012+A11:2014,
EN 50636-2-91:2014, EN 55014-1:2017, EN 55014-2:2015
EN 61000-3-2:2014, EN 61000-3-3:2013, EN 50581:2012

Nível de potência sonora medido: 93.8 dB(A)
Nível de potência sonora garantido: 96 dB(A)

Método de avaliação de conformidade para o anexo VI Directiva 2000/14/EC alterada por 2005/88/EC.
O organismo notificado envolvido:
Société Nationale de Certification et d'Homologation (Organismo notificado 0499)
11, route de Luxembourg L-5230 Sandweiler

Andrew John Eyre (BEng, CEng, MIET)
Vice-Presidente, Regulamentação & Segurança
Winnenden, Oct. 30, 2017

Autorizado para compilar o ficheiro técnico:
Alexander Krug, Administrador Executivo
Techtronic Industries GmbH
Max-Eyth-Straße 10, 71364 Winnenden, Germany

CE

NL EC CONFORMITEITSVERKLARING

Techtronic Industries GmbH
Max-Eyth-Straße 10, 71364 Winnenden, Germany

Hierbij verklaren wij dat het product

Elektrische lijntrimmer
Merk: RYOBI
Modelnummer: RLT8038
Serienummerbereik: 44467902000001 - 44467902999999

is in overeenstemming met de volgende Europese Richtlijnen en geharmoniseerde normen
2006/42/EC, 2014/30/EU, 2000/14/EC, 2005/88/EC, 2011/65/EU, EN 60335-1:2012+A11:2014,
EN 50636-2-91:2014, EN 55014-1:2017, EN 55014-2:2015
EN 61000-3-2:2014, EN 61000-3-3:2013, EN 50581:2012

Gemeten geluidsniveau: 93.8 dB(A)
Gegarandeerd geluidsniveau: 96 dB(A)

Evaluatiemethode conformiteit volgens bijlage VI Richtlijn 2000/14/EC gewijzigd door 2005/88/EC.
Betrokken aangemelde keuringsinstantie:
Société Nationale de Certification et d'Homologation (De aangemelde instantie 0499)
11, route de Luxembourg L-5230 Sandweiler

Andrew John Eyre (BEng, CEng, MIET)
Vice-president, Regelgeving en Veiligheid
Winnenden, Oct. 30, 2017

Afgevaardigde voor het samenstellen van de technische fiche:
Alexander Krug, Directeur
Techtronic Industries GmbH
Max-Eyth-Straße 10, 71364 Winnenden, Germany

CE

DA EC OVERENSSTEMMELSEERKLÆRING

Techtronic Industries GmbH
Max-Eyth-Straße 10, 71364 Winnenden, Germany

Vi erklærer hermed, at produktet

Elektrisk trådtrimmer
Brand: RYOBI
Modelnummer: RLT8038
Serienummerområde: 44467902000001 - 44467902999999

er i overensstemmelse med følgende EU-direktiver og harmoniserede standarder
2006/42/EC, 2014/30/EU, 2000/14/EC, 2005/88/EC, 2011/65/EU, EN 60335-1:2012+A11:2014,
EN 50636-2-91:2014, EN 55014-1:2017, EN 55014-2:2015
EN 61000-3-2:2014, EN 61000-3-3:2013, EN 50581:2012

Målt støjniveau: 93.8 dB(A)
Garanteret støjniveau: 96 dB(A)

Overensstemmelsesvurderingsmetode til bilag VI Direktiv 2000/14/EC ændret ved 2005/88/EC.
Den relevante godkendelsesinstans:
Société Nationale de Certification et d'Homologation (Relevant godkendelsesinstans 0499)
11, route de Luxembourg L-5230 Sandweiler

Andrew John Eyre (BEng, CEng, MIET)
Vicepræsident, Regler og Sikkerhed
Winnenden, Oct. 30, 2017

Bemyndiget til at udarbejde det tekniske kartotek:
Alexander Krug, Administrerende Direktør
Techtronic Industries GmbH
Max-Eyth-Straße 10, 71364 Winnenden, Germany

CE

SV EC-KONFORMITETSDEKLARATION

Techtronic Industries GmbH
Max-Eyth-Straße 10, 71364 Winnenden, Germany

Härmed deklarerar vi att produkterna

Elektrisk Grästrimmer
Märke: RYOBI
Modellnummer: RLT8038
Serienummerintervall: 44467902000001 - 44467902999999

är i enlighet med följande EU-direktiv och harmoniserade standarder
2006/42/EC, 2014/30/EU, 2000/14/EC, 2005/88/EC, 2011/65/EU, EN 60335-1:2012+A11:2014,
EN 50636-2-91:2014, EN 55014-1:2017, EN 55014-2:2015
EN 61000-3-2:2014, EN 61000-3-3:2013, EN 50581:2012

Uppmätt ljudeffektnivå: 93,8 dB(A)
Garanterad ljudeffektnivå: 96 dB(A)

Konformitetsbedömning gjord enligt metod i VI Direktiv 2000/14/EC samt tilläggen i 2005/88/EC.

Meddelandet gällande:
Société Nationale de Certification et d'Homologation (Myndigheten 0499)
11, route de Luxembourg L-5230 Sandweiler

Andrew John Eyre (BEng, CEng, MIET)
Vice President, Regelverk och Säkerhet
Winnenden, Oct. 30, 2017

Godkänd att sammanställa den tekniska filen:
Alexander Krug, VD
Techtronic Industries GmbH
Max-Eyth-Straße 10, 71364 Winnenden, Germany

NO EC-SAMSVARERKLÆRING

Techtronic Industries GmbH
Max-Eyth-Straße 10, 71364 Winnenden, Germany

Herved erklærer vi at produktet

Elektrisk snorklipper
Märke: RYOBI
Modellnummer: RLT8038
Serienummerserie: 44467902000001 - 44467902999999

er i samsvar med følgende europeiske direktiver og harmoniserede standarder
2006/42/EC, 2014/30/EU, 2000/14/EC, 2005/88/EC, 2011/65/EU, EN 60335-1:2012+A11:2014,
EN 50636-2-91:2014, EN 55014-1:2017, EN 55014-2:2015
EN 61000-3-2:2014, EN 61000-3-3:2013, EN 50581:2012

Målt lydteffektnivå: 93,8 dB(A)
Garanteret lydteffektnivå: 96 dB(A)

Metode for vurdering av konformitet til Tillegg VI Direktiv 2000/14/EC endret ved 2005/88/EC.

Involvert meddelelsesorgan:
Société Nationale de Certification et d'Homologation (Teknisk kontrollorgan 0499)
11, route de Luxembourg L-5230 Sandweiler

Andrew John Eyre (BEng, CEng, MIET)
Visepresident, Forskrifter og Sikkerhet
Winnenden, Oct. 30, 2017

Autorisert til å sette sammen den tekniske filen:
Alexander Krug, Administrerende Direktør
Techtronic Industries GmbH
Max-Eyth-Straße 10, 71364 Winnenden, Germany

FI EC-SÄÄNNÖSTEN NOUDATTAMINEN

Techtronic Industries GmbH
Max-Eyth-Straße 10, 71364 Winnenden, Germany

Ilmoitamme täten, että tuotteet

Sähkökäyttöinen siimatrimeri
Tuotemerkki: RYOBI
Mallinumero: RLT8038
Sarjanumerosalue: 44467902000001 - 44467902999999

noudattaa seuraavia EU-direktiivejä ja harmonoituja standardeja
2006/42/EC, 2014/30/EU, 2000/14/EC, 2005/88/EC, 2011/65/EU, EN 60335-1:2012+A11:2014,
EN 50636-2-91:2014, EN 55014-1:2017, EN 55014-2:2015
EN 61000-3-2:2014, EN 61000-3-3:2013, EN 50581:2012

Mitattu äänenteho: 93,8 dB(A)
Taattu ääniteho: 96 dB(A)

Säännösten noudattaminen tarkastettu direktiivin 2000/14/EC liitteen VI mukaisesti
muunnettu direktiivillä 2005/88/EC.

Ilmoituselin:
Société Nationale de Certification et d'Homologation (Ilmoittava elin 0499)
11, route de Luxembourg L-5230 Sandweiler

Andrew John Eyre (BEng, CEng, MIET)
Varatoimitusjohtaja, Säästöstenmukaisuus ja Turvallisuus
Winnenden, Oct. 30, 2017

Valtuutettu kokoamaan tekninen tiedosto:
Alexander Krug, Toimitusjohtaja
Techtronic Industries GmbH
Max-Eyth-Straße 10, 71364 Winnenden, Germany

RU ЗАЯВЛЕНИЕ О СООТВЕТСТВИИ ТРЕБОВАНИЯМ ЕС

Techtronic Industries GmbH
Max-Eyth-Straße 10, 71364 Winnenden, Germany

Настоящим мы заявляем, что данный продукт

Электрический струнный подрезчик
Марка: RYOBI
Номер модели: RLT8038
Диапазон заводских номеров: 44467902000001 - 44467902999999

соответствует требованиям следующих Директив ЕС и согласованных стандартов
2006/42/EC, 2014/30/EU, 2000/14/EC, 2005/88/EC, 2011/65/EU, EN 60335-1:2012+A11:2014,
EN 50636-2-91:2014, EN 55014-1:2017, EN 55014-2:2015
EN 61000-3-2:2014, EN 61000-3-3:2013, EN 50581:2012

Измеренный уровень звуковой мощности: 93,8 dB(A)
Гарантируемый уровень звуковой мощности: 96 dB(A)

Способ оценки соответствия, приложение VI к директиве 2000/14/EC с изменениями 2005/88/EC.

Уведомляемый участвующий орган:
Société Nationale de Certification et d'Homologation (Нотифицированная организация 0499)
11, route de Luxembourg L-5230 Sandweiler

Andrew John Eyre (BEng, CEng, MIET)
Вице-Президент По Технике Безопасности И Стандартам
Winnenden, Oct. 30, 2017

Лицо, ответственное за подготовку технической документации:
Alexander Krug, Директор
Techtronic Industries GmbH
Max-Eyth-Straße 10, 71364 Winnenden, Germany

PL DEKLARACJA ZGODNOŚCI EC

Techtronic Industries GmbH
Max-Eyth-Straße 10, 71364 Winnenden, Germany

Niniejszym deklarujemy, że produkty

Elektryczna podkaszarka żytkowa
Marka: RYOBI
Numer modelu: RLT8038
Zakres numerów seryjnych: 44467902000001 - 44467902999999

jest zgodny z następującymi dyrektywami europejskimi i zharmonizowanymi normami

2006/42/EC, 2014/30/EU, 2000/14/EC, 2005/88/EC, 2011/65/EU, EN 60335-1:2012+A11:2014,
EN 50636-2-91:2014, EN 55014-1:2017, EN 55014-2:2015
EN 61000-3-2:2014, EN 61000-3-3:2013, EN 50581:2012

Zmierzony poziom natężenia hałasu: 93.8 dB(A)
Maksymalny poziom natężenia hałasu: 96 dB(A)

Metoda ocena zgodności zgodnie z aneksem VI Dyrektywa 2000/14/EC zmieniona przez dyrektywę 2005/88/EC.
Zaangażowany organ do powiadomienia:
Société Nationale de Certification et d'Homologation (Jednostka notyfikowana 0499)
11, route de Luxembourg L-5230 Sandweiler

Andrew John Eyre (BEng, CEng, MIET)
Wiceprezes ds. Zgodności Prawnej i Bezpieczeństwa
Winnenden, Oct. 30, 2017

Osoba upoważniona do sporządzenia dokumentu technicznego:
Alexander Krug, Dyrektor Zarządzający
Techtronic Industries GmbH
Max-Eyth-Straße 10, 71364 Winnenden, Germany

CE

HU EC MEGFELELŐSÉGI NYILATKOZAT

Techtronic Industries GmbH
Max-Eyth-Straße 10, 71364 Winnenden, Germany

Ezúton kijelentjük, hogy a termékek

Elektronos szegélynyíró
Márka: RYOBI
Típusszám: RLT8038
Sorozatszám tartomány: 44467902000001 - 44467902999999

megfelel az alábbi Európai Irányelvek és harmonizált szabványok vonatkozó rendelkezéseinek

2006/42/EC, 2014/30/EU, 2000/14/EC, 2005/88/EC, 2011/65/EU, EN 60335-1:2012+A11:2014,
EN 50636-2-91:2014, EN 55014-1:2017, EN 55014-2:2015
EN 61000-3-2:2014, EN 61000-3-3:2013, EN 50581:2012

Mért hangteljesítményszint: 93.8 dB(A)
Garantált hangteljesítményszint: 96 dB(A)

A megfelelőségi értékelési eljárás a 2000/14/EC irányelv VI. függeléke szerint történt által módosított 2005/88/EC irányelv.
A közreműködő tanúsító testület:
Société Nationale de Certification et d'Homologation (A következő tanúsító testület 0499)
11, route de Luxembourg L-5230 Sandweiler

Andrew John Eyre (BEng, CEng, MIET)
Alelnök, Megfelelőségi és Biztonsági Területek
Winnenden, Oct. 30, 2017

A műszaki dokumentáció összeállítására felhatalmazott:
Alexander Krug, Ügyvezető Igazgató
Techtronic Industries GmbH
Max-Eyth-Straße 10, 71364 Winnenden, Germany

CE

CS PROHLÁŠENÍ O SHODĚ EC

Techtronic Industries GmbH
Max-Eyth-Straße 10, 71364 Winnenden, Germany

Tímto prohlašujeme, že výrobky

Elektrické zarovňávačky nůžky
Značka: RYOBI
Číslo modelu: RLT8038
Rozsah sériových čísel: 44467902000001 - 44467902999999

že tento výrobek je v souladu s evropskými a harmonizovanými standardy

2006/42/EC, 2014/30/EU, 2000/14/EC, 2005/88/EC, 2011/65/EU, EN 60335-1:2012+A11:2014,
EN 50636-2-91:2014, EN 55014-1:2017, EN 55014-2:2015
EN 61000-3-2:2014, EN 61000-3-3:2013, EN 50581:2012

Změřená hladina akustického výkonu: 93.8 dB(A)
Zaručená hladina akustického výkonu: 96 dB(A)

Soulad s metodou určování pro přílohu VI směrnice 2000/14/EC upravená 2005/88/EC.
Upozorníte patřičný orgán:
Société Nationale de Certification et d'Homologation (Úředně oznámený orgán 0499)
11, route de Luxembourg L-5230 Sandweiler

Andrew John Eyre (BEng, CEng, MIET)
Viceprezident, Normy a Bezpečnost
Winnenden, Oct. 30, 2017

Pověření ke kompilaci technického souboru:
Alexander Krug, Generální Reditel
Techtronic Industries GmbH
Max-Eyth-Straße 10, 71364 Winnenden, Germany

CE

RO DECLARAȚIE DE CONFORMITATE EC

Techtronic Industries GmbH
Max-Eyth-Straße 10, 71364 Winnenden, Germany

Prin prezenta, declarăm că produsele

Motocoasă electrică cu fir
Mărcă: RYOBI
Număr serie: RLT8038
Gamă număr serie: 44467902000001 - 44467902999999

este în conformitate cu următoarele Directive Europene și standarde armonizate

2006/42/EC, 2014/30/EU, 2000/14/EC, 2005/88/EC, 2011/65/EU, EN 60335-1:2012+A11:2014,
EN 50636-2-91:2014, EN 55014-1:2017, EN 55014-2:2015
EN 61000-3-2:2014, EN 61000-3-3:2013, EN 50581:2012

Nivelul măsurat al puterii acustice: 93.8 dB(A)
Nivel garantat al puterii acustice: 96 dB(A)

Metoda de evaluare a conformității cu Anexa VI Directiva 2000/14/EC modificată prin 2005/88/EC.
Organismul de notificare implicat:
Société Nationale de Certification et d'Homologation (Organismul notificat 0499)
11, route de Luxembourg L-5230 Sandweiler

Andrew John Eyre (BEng, CEng, MIET)
Vicepreședinte, Reglementare și Siguranță
Winnenden, Oct. 30, 2017

Autorizat să completeze fișa tehnică:
Alexander Krug, Director General
Techtronic Industries GmbH
Max-Eyth-Straße 10, 71364 Winnenden, Germany

CE

LV EC ATBILSTĪBAS DEKLARĀCIJA

Techtronic Industries GmbH
Max-Eyth-Straße 10, 71364 Winnenden, Germany

Ar šo paziņojam, ka produkti

Elektriskais auklas trimmeris
Zīmols: RYOBI
Modeļa numurs: RLT8038
Sērijas numura intervāls: 44467902000001 - 44467902999999

atbilst šādām Eiropas direktīvām un saskaņotajiem standartiem

2006/42/EC, 2014/30/EU, 2000/14/EC, 2005/88/EC, 2011/65/EU, EN 60335-1:2012+A11:2014,
EN 50636-2-91:2014, EN 55014-1:2017, EN 55014-2:2015
EN 61000-3-2:2014, EN 61000-3-3:2013, EN 50581:2012

Izmērītās skaņas jaudas līmenis: 93.8 dB(A)
Garantētais skaņas intensitātes līmenis: 96 dB(A)

Atbilstības novērtēšanas metode pielikumam VI Direktīvai 2000/14/EC labota 2005/88/EC.
Iesaistītā pilnvarotā iestāde:
Société Nationale de Certification et d'Homologation (Pilnvarotā iestāde 0499)
11, route de Luxembourg L-5230 Sandweiler

Andrew John Eyre (BEng, CEng, MIET)
Viceprezidents, Darba Drošības Noteikumi
Winnenden, Oct. 30, 2017

Pilnvarots sastādīt tehnisko failu:

Alexander Krug, Izpilddirektors
Techtronic Industries GmbH
Max-Eyth-Straße 10, 71364 Winnenden, Germany

CE

ET EC VASTAVUSDEKLARATSIOON

Techtronic Industries GmbH
Max-Eyth-Straße 10, 71364 Winnenden, Germany

Kinnitame, et see toode

Elektriline jōhvtrimmer
Mark: RYOBI
Modeli number: RLT8038
Seerianumbri vahemik: 44467902000001 - 44467902999999

vastab jārgmistele Euroopa direktiividele ja harmoniseeritud standarditele

2006/42/EC, 2014/30/EU, 2000/14/EC, 2005/88/EC, 2011/65/EU, EN 60335-1:2012+A11:2014,
EN 50636-2-91:2014, EN 55014-1:2017, EN 55014-2:2015
EN 61000-3-2:2014, EN 61000-3-3:2013, EN 50581:2012

Mõõdetud helivõimsuse tase: 93.8 dB(A)
Garanteeritud helivõimsuse tase: 96 dB(A)

Vastavushindamine vastavalt lisale VI direktiivis 2000/14/EC muudetud direktiiviga 2005/88/EC.
Kontrolliga seotud teavitatud asutus:
Société Nationale de Certification et d'Homologation (tunnustatud asutus 0499)
11, route de Luxembourg L-5230 Sandweiler

Andrew John Eyre (BEng, CEng, MIET)
Asepresident Standardiseerimise Ja Ohutuse Alal
Winnenden, Oct. 30, 2017

Tehnilise faili koostamiseks volitatud isik:

Alexander Krug, Tegevdirektor
Techtronic Industries GmbH
Max-Eyth-Straße 10, 71364 Winnenden, Germany

CE

LT EC ATITIKTIES DEKLARACIJA

Techtronic Industries GmbH
Max-Eyth-Straße 10, 71364 Winnenden, Germany

Mes pareiškiame, kad šie produktai

Elektrinė juostinė žoliapjovė
Prekės ženklas: RYOBI
Modelio numeris: RLT8038
Serijinio numerio diapazonas: 44467902000001 - 44467902999999

pagamintas laikantis toliau nurodytųjų Europos Direktyvų ir darniųjų standartų

2006/42/EC, 2014/30/EU, 2000/14/EC, 2005/88/EC, 2011/65/EU, EN 60335-1:2012+A11:2014,
EN 50636-2-91:2014, EN 55014-1:2017, EN 55014-2:2015
EN 61000-3-2:2014, EN 61000-3-3:2013, EN 50581:2012

Išmatuotas akustinis lygis: 93.8 dB(A)
Garantuotas akustinis lygis: 96 dB(A)

Atitikties įvertinimo metodas pagal direktyvos 2000/14/EC, VI Priedą su pataisomis 2005/88/EC.
Įtraukta notifikuoti įstaiga:
Société Nationale de Certification et d'Homologation (Notifikuoti įstacija 0499)
11, route de Luxembourg L-5230 Sandweiler

Andrew John Eyre (BEng, CEng, MIET)
Kontrolės Ir Saugos Viceprezidentas
Winnenden, Oct. 30, 2017

Įgaliosis sudaryti techninį failą:

Alexander Krug, Generalinis Direktorius
Techtronic Industries GmbH
Max-Eyth-Straße 10, 71364 Winnenden, Germany

CE

HR EC IZJAVA O USKLADENOSTI

Techtronic Industries GmbH
Max-Eyth-Straße 10, 71364 Winnenden, Germany

Uvime izjavljujemo da su proizvodi

Električni trimmer
Marka: RYOBI
Broj modela: RLT8038
Raspon serijskog broja: 44467902000001 - 44467902999999

usklađeni sa sljedećim Europskim Direktivama i usklađenim normama

2006/42/EC, 2014/30/EU, 2000/14/EC, 2005/88/EC, 2011/65/EU, EN 60335-1:2012+A11:2014,
EN 50636-2-91:2014, EN 55014-1:2017, EN 55014-2:2015
EN 61000-3-2:2014, EN 61000-3-3:2013, EN 50581:2012

Izmjerena razina zvučne snage: 93.8 dB(A)
Jamčena razina zvučne snage: 96 dB(A)

Metoda procjene usklađenosti prema Dodatku VI Direktive 2000/14/EC navedeno u 2005/88/EC.
Uključena oznaka broja tijela:
Société Nationale de Certification et d'Homologation (Nadležno tijelo 0499)
11, route de Luxembourg L-5230 Sandweiler

Andrew John Eyre (BEng, CEng, MIET)
Potpredsjednik za Pravila i Sigurnost
Winnenden, Oct. 30, 2017

Ovlašten da sastavi tehničku datoteku:

Alexander Krug, Direktor Upravljanja
Techtronic Industries GmbH
Max-Eyth-Straße 10, 71364 Winnenden, Germany

CE

SL IZJAVA EC O SKLADNOSTI

Techtronic Industries GmbH
Max-Eyth-Straße 10, 71364 Winnenden, Germany

Izjavljamo, da je izdelek

Električna nitna kosilnica
Znamka: RYOBI
Številka modela: RLT8038
Razpon serijskih števil: 44467902000001 - 44467902999999

v skladu s sledečimi evropskimi direktivami in harmoniziranimi standardi
2006/42/EC, 2014/30/EU, 2000/14/EC, 2005/88/EC, 2011/65/EU, EN 60335-1:2012+A11:2014,
EN 50636-2-91:2014, EN 55014-1:2017, EN 55014-2:2015
EN 61000-3-2:2014, EN 61000-3-3:2013, EN 50581:2012

Izmerjena raven zvočne moči: 93.8 dB(A)
Zajamčena raven zvočne moči: 96 dB(A)

Način ugotavljanja skladnosti z aneksom VI direktive 2000/14/EC ki je bila spremenjena z 2005/88/EC.
Priglašeni organ:
Société Nationale de Certification et d'Homologation (Priglašeni organ 0499)
11, route de Luxembourg L-5230 Sandweiler

Andrew John Eyre (BEng, CEng, MIET)
Podpredsednik, Zakonodajne In Varnostne Zadeve
Winnenden, Oct. 30, 2017

Pooblaščen oseba za sestavo tehnične dokumentacije:
Alexander Krug, Izvršni Direktor
Techtronic Industries GmbH
Max-Eyth-Straße 10, 71364 Winnenden, Germany

CE

BG ЕС ДЕКЛАРАЦИЯ НА ЗА СЪОТВЕТСТВИЕ

Techtronic Industries GmbH
Max-Eyth-Straße 10, 71364 Winnenden, Germany

С настоящето декларираме, че продуктите

Електрически тример с найлоново влакно
Марка: RYOBI
Номер на модела: RLT8038
Обхват на серийни номера: 44467902000001 - 44467902999999

отговаря на следните директиви на ЕС и хармонизирани стандарти
2006/42/EC, 2014/30/EU, 2000/14/EC, 2005/88/EC, 2011/65/EU, EN 60335-1:2012+A11:2014,
EN 50636-2-91:2014, EN 55014-1:2017, EN 55014-2:2015
EN 61000-3-2:2014, EN 61000-3-3:2013, EN 50581:2012

Измерено ниво на шум: 93.8 dB(A)
Гарантирано ниво на шум 96 dB(A)

Метод за оценяване на съответствието с приложение VI Директива 2000/14/EC, изменена от 2005/88/EC.
Отговорен нотифициращ орган:
Société Nationale de Certification et d'Homologation (Нотифициран орган 0499)
11, route de Luxembourg L-5230 Sandweiler

Andrew John Eyre (BEng, CEng, MIET)
Вицепрезидент, Правни Услуги И Безопасност
Winnenden, Oct. 30, 2017

Упълномощено лице за съставяне на техническия файл:
Alexander Krug, Изпълнителен Директор
Techtronic Industries GmbH
Max-Eyth-Straße 10, 71364 Winnenden, Germany

CE

SK PREHLÁSENIE O ZHODE EC

Techtronic Industries GmbH
Max-Eyth-Straße 10, 71364 Winnenden, Germany

Týmto vyhlasujeme, že výrobok

Elektrický drôtový orezávač
Značka: RYOBI
Číslo modelu: RLT8038
Rozsah sériových čísel: 44467902000001 - 44467902999999

je v súlade s nasledujúcimi Európskymi smernicami a harmonizovanými normami
2006/42/EC, 2014/30/EU, 2000/14/EC, 2005/88/EC, 2011/65/EU, EN 60335-1:2012+A11:2014,
EN 50636-2-91:2014, EN 55014-1:2017, EN 55014-2:2015
EN 61000-3-2:2014, EN 61000-3-3:2013, EN 50581:2012

Nameraná úroveň hluku: 93.8 dB(A)
Garantovaná úroveň hluku: 96 dB(A)

Spôsob určenia zhody podľa Dodatku VI Smernica 2000/14/EC doplnená o 2005/88/EC.
K ohlasovaniu úradom patria:
Société Nationale de Certification et d'Homologation (Oboznamovaný organ 0499)
11, route de Luxembourg L-5230 Sandweiler

Andrew John Eyre (BEng, CEng, MIET)
Viceprezident, Regulácia a Bezpečnosť
Winnenden, Oct. 30, 2017

Oprávnená osoba na zostavenie technického súboru:
Alexander Krug, Generálny Riaditeľ
Techtronic Industries GmbH
Max-Eyth-Straße 10, 71364 Winnenden, Germany

CE

UK ЕС ДЕКЛАРАЦИЯ ПРО ВІДПОВІДНІСТЬ

Techtronic Industries GmbH
Max-Eyth-Straße 10, 71364 Winnenden, Germany

При цьому ми заявляємо, що продукт

Електричного тримера
Марка: RYOBI
Номер моделі: RLT8038
Діапазон серійного номеру: 44467902000001 - 44467902999999

у відповідності з наступними європейськими директивами та гармонізованими стандартами
2006/42/EC, 2014/30/EU, 2000/14/EC, 2005/88/EC, 2011/65/EU, EN 60335-1:2012+A11:2014,
EN 50636-2-91:2014, EN 55014-1:2017, EN 55014-2:2015
EN 61000-3-2:2014, EN 61000-3-3:2013, EN 50581:2012

Вимірний рівень звукової потужності: 93.8 dB(A)
Гарантований рівень звукової потужності: 96 dB(A)

Метод оцінки відповідності Annex VI Directive 2000/14/EC з поправками, внесеними 2005/88/EC.
Вповноважений орган, що приймає участь у оцінюванні відповідності:
Société Nationale de Certification et d'Homologation (Уповноважений орган 0499)
11, route de Luxembourg L-5230 Sandweiler

Andrew John Eyre (BEng, CEng, MIET)
Viceprezident, Regulácia a Bezpečnosť
Winnenden, Oct. 30, 2017

Дозвіл на складання технічного файла:
Alexander Krug, керуючий Директор
Techtronic Industries GmbH
Max-Eyth-Straße 10, 71364 Winnenden, Germany

CE

TR EC UYGUNLUK BEYANI

Techtronic Industries GmbH
Max-Eyth-Straße 10, 71364 Winnenden, Germany

İş bu belge ile bu ürünün

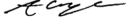
Elektrikli Ot Biçme Makinesi
Marka: RYOBI
Model numarası: RLT8038
Seri numarası aralığı: 44467902000001 - 44467902999999

aşağıdaki Avrupa Direktiflerine ve uyumlaştırılmış standartlara uygun olduğunu beyan ediyorum

2006/42/EC, 2014/30/EU, 2000/14/EC, 2005/88/EC, 2011/65/EU, EN 60335-1:2012+A11:2014,
EN 50636-2-91:2014, EN 55014-1:2017, EN 55014-2:2015
EN 61000-3-2:2014, EN 61000-3-3:2013, EN 50581:2012

Ölçülen ses gücü seviyesi: 93.8 dB(A)
Güvenceli ses gücü seviyesi: 96 dB(A)

2005/88/AT ile değiştirilen 2000/14/AT Direktifi Ek VI uyarınca uygunluk değerlendirilmesi yöntemi
İlgili uyarılmış makam:
Société Nationale de Certification et d'Homologation (Onaylı kuruluş 0499)
11, route de Luxembourg L-5230 Sandweiler



Andrew John Eyre (BEng, CEng, MIET)
Mevzuat ve Güvenlik Başkan Yardımcısı
Winnenden, Oct. 30, 2017

CE

Teknik dosyayı derlemekle yetkili sorumlu:
Alexander Krug, Genel Müdür
Techtronic Industries GmbH
Max-Eyth-Straße 10, 71364 Winnenden, Germany





Techtronic Industries GmbH
Max-Eyth-Straße 10,
71364 Winnenden, Germany

099915009003-01