

A & M Electric Tools

Circular Saws

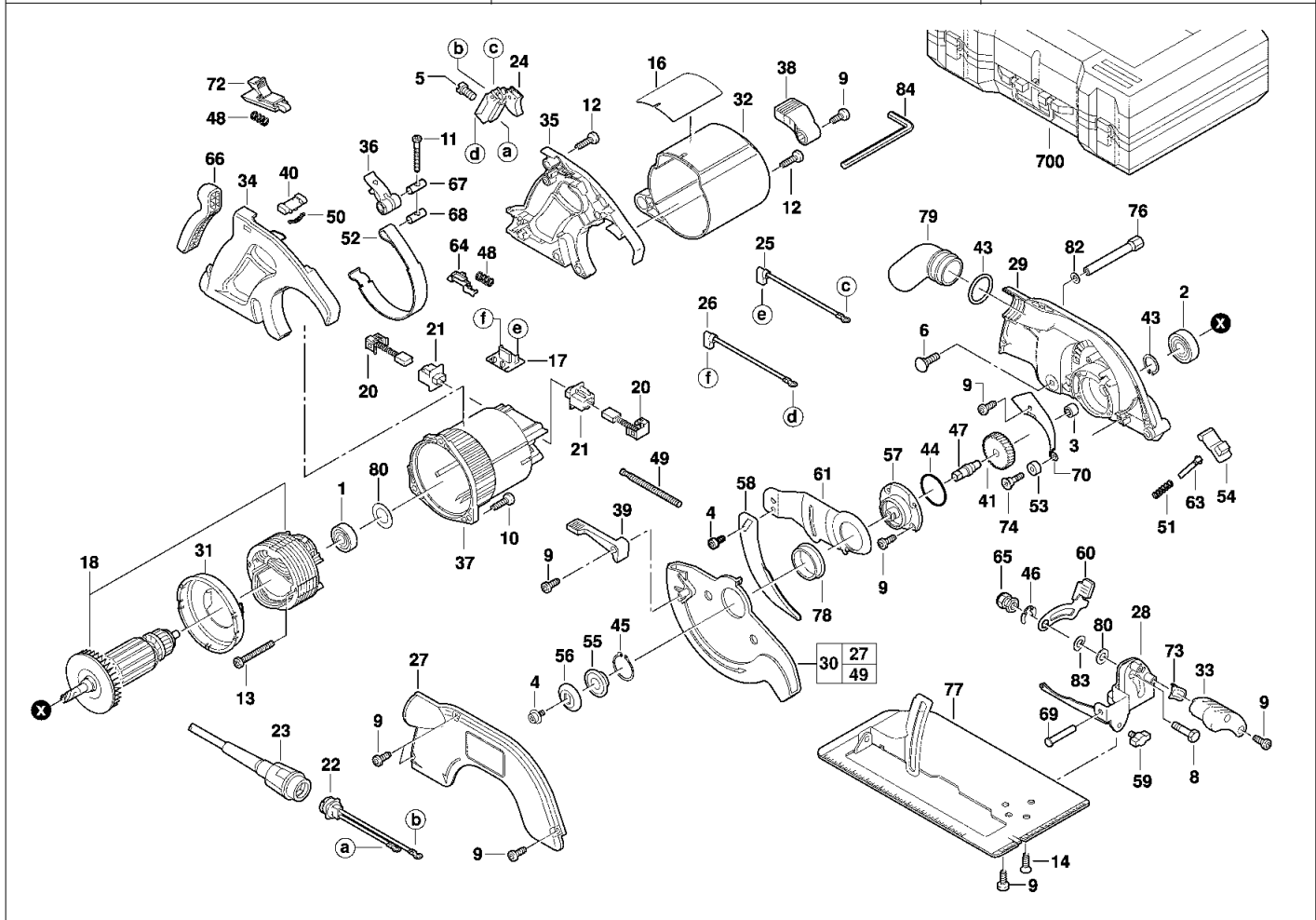
Milwaukee

SCS 65 Q

Exp.view No. Version Date Page
4926 3937 20 0004 19.04.12 1/2

Ind	Product No.	Type	Voltage	Country
a	4000393719	SCS65Q	220-240V	IN2
b	4000393719	SCS65Q	220-240V	AUS
c	4000393719	SCS65Q	220-240V	GB2
d	4000393719	SCS65Q	220-240V	CH
e	4000393721	SCS65Q	110V	GB1

Ind	Product No.	Type	Voltage	Country
-----	-------------	------	---------	---------



Pos	Index	Quanti	Article No.	Designation
0001	abcde.....	1	02040847	BALL BEARING
0002	abcde.....	1	02041850	BALL BEARING
0003	abcde.....	1	02502423	BALL BEARING
0004	abcde.....	2	05890055	SCREW
0005	abcde.....	4	05780305	SCREW
0006	abcde.....	1	06100710	BOLT
0008	abcde.....	1	06755850	BOLT
0009	abcde.....	13	06825314	SCREW
0010	abcde.....	3	06825358	PIN
0011	abcde.....	1	06825474	PIN
0012	abcde.....	10	06827270	SCREW
0013	abcde.....	2	06827395	PIN
0014	abcde.....	3	06828875	SCREW
0016	abcde.....	1	12996380	TYPE PLATE
0017	abcde.....	1	14201325	CAPACITOR
0018	abcd.....	1	290302002	MOTOR ASSEMBLY
0018e.....	1	290302001	MOTOR
0020	abcd.....	2	22180085	BRUSH HOLDER
0020e.....	2	22180075	CARBON BRUSH
0021	abcde.....	2	22220030	CARBON BRUSH
0022	abcd.....	1	22560857	HOUSING
0022e.....	1	22560045	CONNECTION SLEEVE

Pos	Index	Quanti	Article No.	Designation
0023	a.....	1	4931624171	CONNECTION CABLE
0023	.b.....	1	4931624342	CONNECTION CABLE
0023	.c.....	1	4931624184	CONNECTION CABLE
0023	...d.....	1	4931624181	CONNECTION CABLE
0023e.....	1	22640677	CONNECTION CABLE
0024	abcde.....	1	23662117	SWITCH
0025	abcde.....	1	23941180	CABLE
0026	abcde.....	1	23941185	CABLE
0027	abcde.....	1	25200135	COVER
0028	abcde.....	1	14670260	BRACKET
0029	abcde.....	1	28140110	GEAR BOX ASSY
0030	abcde.....	1	14320135	GUARD CAP
0031	abcde.....	1	31050045	AIR DEFLECTOR RING
0032	abcde.....	1	31150461	COVER
0033	abcde.....	1	31440060	HANDLE
0034	abcde.....	1	31440083	HANDLE RIGHT
0035	abcde.....	1	31440093	HANDLE LEFT
0036	abcde.....	1	31442157	HANDLE
0037	abcde.....	1	31500050	HOUSING
0038	abcde.....	1	31520015	STOP
0039	abcde.....	1	31520025	STOP
0040	abcde.....	1	31760016	DRIVER

Repairs/modification and testing of electric power tools are to be carried out by specialists. The safety regulations according to DIN/VDE/CEE/AFNOR and other regulations valid in the different countries are to be observed.

A & M Electric Tools

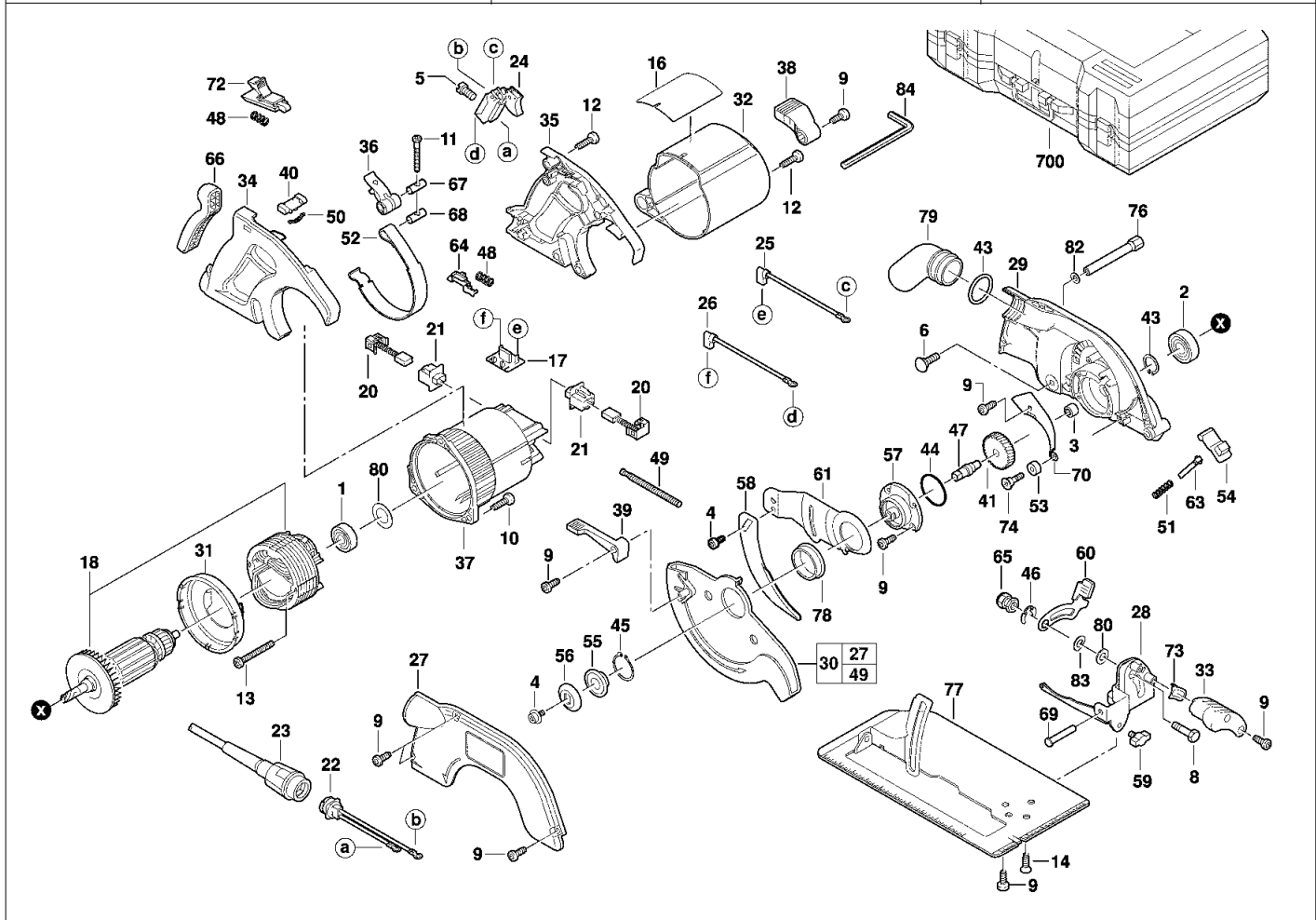
Circular Saws

Ind	Product No.	Type	Voltage	Country
a	4000393719	SCS65Q	220-240V	IN2
b	4000393719	SCS65Q	220-240V	AUS
c	4000393719	SCS65Q	220-240V	GB2
d	4000393719	SCS65Q	220-240V	CH
e	4000393721	SCS65Q	110V	GB1

Ind	Product No.	Type	Voltage	Country
-----	-------------	------	---------	---------

Milwaukee
SCS 65 Q

Exp.view No. Version Date Page
4926 3937 20 0004 19.04.12 2/2



Pos	Index	Quanti	Article No.	Designation
0041	abcde.....	1	32753205	GEAR
0043	abcde.....	2	34401375	O-RING
0044	abcde.....	1	34401380	O-RING
0045	abcde.....	1	34600320	THRUST COLLAR
0046	abcde.....	1	34602330	RING
0047	abcde.....	1	38500065	SPINDLE
0048	abcde.....	2	40500055	SPRING
0049	abcde.....	1	40500185	SPRING
0050	abcde.....	1	40500270	SPRING
0051	abcde.....	1	40508040	PRESSURE SPRING
0052	abcde.....	1	42160160	HANDLE
0053	abcde.....	1	42380222	GUARD
0054	abcde.....	1	42420275	SPINDLE
0055	abcde.....	1	43340480	FLANGE
0056	abcde.....	1	43340485	FLANGE
0057	abcde.....	1	43780155	BODY
0058	abcde.....	1	43970075	KNIFE
0059	abcde.....	1	43980615	KNOB
0060	abcde.....	1	44100130	LEVER
0061	abcde.....	1	44140225	PLATE
0063	abcde.....	1	44200510	SPINDLE
0064	abcde.....	1	44200640	SLIDE

Pos	Index	Quanti	Article No.	Designation
0065	abcde.....	1	44400780	ADJUSTING NUT
0066	abcde.....	1	44520682	HANDLE
0067	abcde.....	1	44600075	PIN
0068	abcde.....	1	44600085	PIN
0069	abcde.....	1	44601180	PIN
0070	abcde.....	1	44660075	LATCH PLATE
0072	abcde.....	1	44660201	PLATE
0073	abcde.....	1	44720050	POINTER
0074	abcde.....	1	45040485	SCREW
0076	abcde.....	1	45080416	SHAFT
0077	abcde.....	1	45160165	STOP
0078	abcde.....	1	45220605	SLEEVE
0079	abcde.....	1	45760331	TUBE
0080	abcde.....	2	45880577	WASHER
0082	abcde.....	1	45888461	WASHER
0083	abcde.....	1	45888460	WASHER
0084	abcde.....	1	49960345	WRENCH CHAIN
0700	abcd.....	1	201672001	CARRYING CASE

Repairs/modification and testing of electric power tools are to be carried out by specialists. The safety regulations according to DIN/VDE/CEE/AFNOR and other regulations valid in the different countries are to be observed.