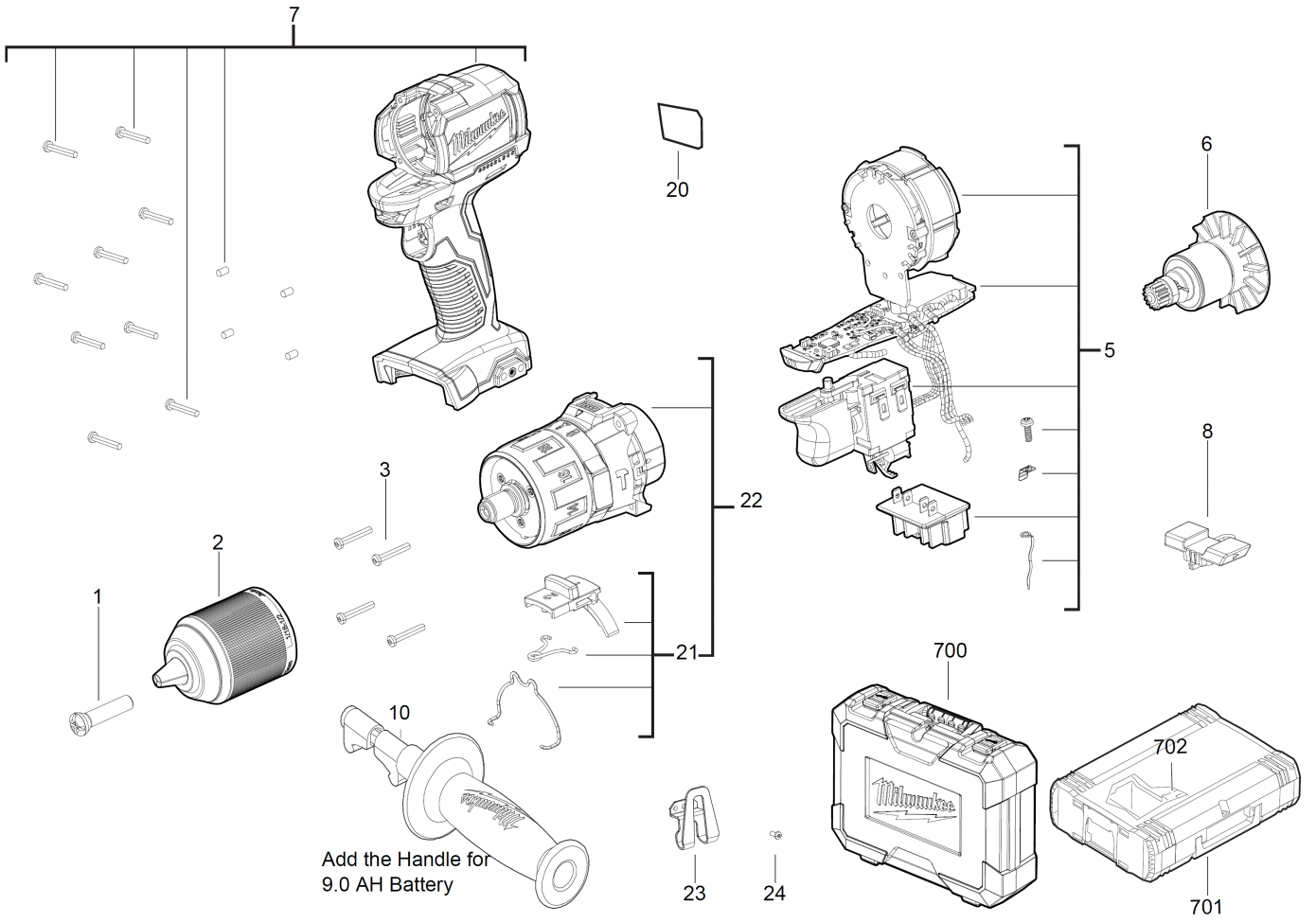


# M18BLPD-202C BTY.PERCUSS.DRILL IN2

4933448447 - M18BLPD-202C IN2 - 4000448598





Position	Quantity	Description	Part number	EAN
0001	1	SCREW	4931433297	4002395896684
0002	1	CHUCK	4931472722	4058546330248
0003	4	SCREW	4931436757	4002395809844
0005	1	ELECTRONIC SWITCH	4931436756	4002395809837
0006	1	ROTOR	4931436755	4002395809820
0007	1	HOUSING	4931436754	4002395809813
0008	1	SWITCH	4931436753	4002395809806
0010	1	AUXILIARY HANDLE	4931454527	4058546009557
0020	1	RATING PLATE	4931436762	4002395809899
0021	1	ADJUSTING BUTTON	4931436751	4002395809783
0022	1	GEAR BOX	4931436761	4002395809882
0023	1	HOOK	4931436134	4002395879427
0024	1	SCREW	4931436566	4002395257638
0700	1	CARRYING CASE	5131000000	
0702	1	INSERT	4931436750	4002395809776