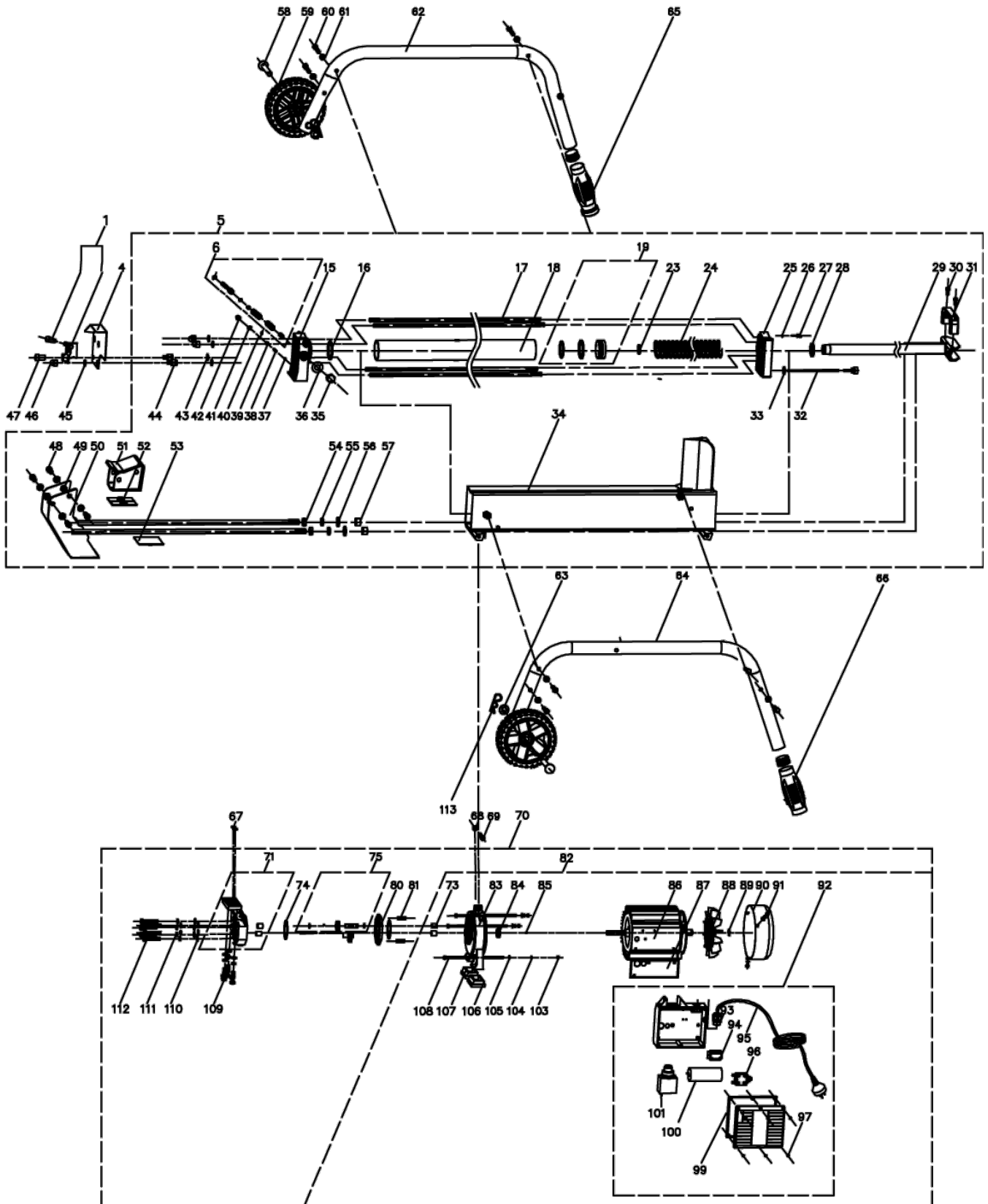


# ELS52 FEND.BUCHE ELECT 4T

5133000254 - ELS52 - ELS52#1





## **Information**

Huile hydraulique / Hydraulic oil

Utiliser / Use :

Shell Tellus 22 / Mobil DTE 11M / BP Energol HLP-HM22

Position	Quantité	Désignation	Référence	EAN
1_001	1	LEVIER	5131000000	
1_004	1	CARTER	5131000000	
1_005	1	CYLINDRE	5131000000	
1_006	1	VALVE	5131004672	4058546087364
1_015	1	COUVERCLE	5131000000	
1_016	1	POIGNEE	5131000000	
1_017	4	GOUJON ELS52	5131000000	
1_018	1	CYLINDRE	5131000000	
1_019	1	PISTON	5131000000	
1_023	1	POIGNEE	5131000000	
1_024	1	RESSORT	5131004602	4058546067571
1_025	1	COUVERCLE	5131000000	
1_026	1	JOINT ELS52	5131000000	
1_027	1	VIS	5131000000	
1_028	1	JOINT	5131000000	
1_029	1	PISTON	5131000000	
1_030	2	VIS	5131000000	
1_031	1	ETRIER	5131000000	
1_032	1	JAUGE	5131000000	
1_033	1	RONDELLE ELS52	5131000000	
1_034	1	BATI DU FENDEUR ELS52	5131000000	
1_035	1	ECROU BORGNE ELS52	5131000000	
1_036	1	RONDELLE ELS52	5131000000	
1_037	1	BILLE	5131000000	
1_038	1	RESSORT	5131000000	
1_039	1	VIS	5131000000	
1_040	1	VIS DE REGLAGE ELS52	5131000000	
1_041	1	POIGNEE	5131000000	
1_042	1	VIS ELS52	5131000000	
1_043	4	JOINT	5131000000	
1_044	2	ECROU	5131000000	
1_045	5	RONDELLE ELS52	5131000000	
1_046	3	ECROU	5131000000	
1_047	1	LEVIER	5131000000	
1_048	4	VIS	5131000000	
1_049	4	ECROU	5131000000	
1_050	1	SUPPORT	5131000000	
1_051	1	SUPPORT	5131000000	
1_052	1	INSERT	5131004676	4058546087395
1_053	1	INSERT	5131004677	4058546087401
1_054	2	ECROU	5131000000	
1_055	2	RONDELLE RESSORT	5131000000	
1_056	4	RONDELLE	5131000000	
1_057	2	ECROU	5131000000	
1_058	2	AXE	5131004658	4058546087319
1_059	2	ROUE	5131004657	4058546087302
1_060	8	BOULON	5131000000	
1_061	8	RONDELLE	5131000000	
1_062	1	TUBE	5131000000	
1_063	4	RONDELLE	5131000000	

Position	Quantité	Désignation	Référence	EAN
1_064	1	TUBE	5131004651	4058546087265
1_065	2	POIGNEE	5131004618	4058546087159
1_066	2	PIED EN CAOUTCHOUC	5131000000	
1_067	2	JOINT THORIQUE	5131000000	
1_068	1	ECROU ELS52	5131000000	
1_069	1	VIS ELS52	5131000000	
1_070	1	MOTOR COMPLET	5131000000	
1_071	1	COUVERCLE	5131000000	
1_074	2	JOINT THORIQUE	5131004630	4058546087180
1_075	1	PIGNON	5131000000	
1_080	1	PLAQUE	5131000000	
1_081	2	GOUPILLE	5131000000	
1_082	1	MOTEUR ET BOITIER INTER ELS52	5131000000	
1_083	1	COUVERCLE MOTEUR ELS52	5131000000	
1_084	1	JOINT	5131000000	
1_085	1	PION ELS52	5131000000	
1_086	1	MOTEUR	5131000000	
1_087	1	WATERPROOF	5131000000	
1_088	1	TURBINE	5131000000	
1_089	1	CLIP ELS52	5131000000	
1_090	1	CARTER TOLE	5131000000	
1_091	3	VIS ELS52	5131000000	
1_092	1	INTER.AV.MOD.ELECTR	5131000000	
1_093	1	BAGUE ETANCHEITE ELS52	5131000000	
1_094	1	CONNECTION	5131000000	
1_095	1	CABLE	5131000000	
1_096	1	COUPE CIRCUIT ELS52	5131000000	
1_097	6	VIS ELS52	5131000000	
1_099	1	LAME COUPE BETON	5131000000	
1_100	1	CONDENSATEUR	5131004668	4058546087333
1_101	1	INTERRUPTEUR	5131016814	4058546104160
1_103	3	ECROU ELS52	5131000000	
1_104	6	RONDELLE ELS52	5131000000	
1_105	3	RONDELLE ELS52	5131000000	
1_106	1	PATIN	5131000000	
1_107	1	PATIN	5131000000	
1_108	3	BOULON ELS52	5131000000	
1_109	3	BOULON ELS52	5131000000	
1_110	9	RONDELLE ELS52	5131000000	
1_111	9	RONDELLE ELS52	5131000000	
1_112	6	BOULON	5131000000	
1_113	2	GOUPILLE	5131000000	
	1	BIDON 5L HUILE SHELL TELLUS 22	5131000000	